



US00D818553S

(12) **United States Design Patent**
Agapiades

(10) **Patent No.:** **US D818,553 S**

(45) **Date of Patent:** **** May 22, 2018**

(54) **FLOTATION WRIST-WEAR DEVICE**

(71) Applicant: **Athanasios Agapiades**, Gredley, CA
(US)

(72) Inventor: **Athanasios Agapiades**, Gredley, CA
(US)

(**) Term: **15 Years**

(21) Appl. No.: **29/563,724**

(22) Filed: **May 6, 2016**

(51) **LOC (11) Cl.** **29-02**

(52) **U.S. Cl.**
USPC **D21/804**

(58) **Field of Classification Search**
USPC D21/801, 803-809; 441/75, 85, 88, 122
CPC A63B 2208/12; A63B 2225/605; A63B
31/00; A63B 31/12; B63B 2035/7903;
B63B 2201/16; B63B 2209/06; B63B
35/7933

See application file for complete search history.

(56) **References Cited**

U.S. PATENT DOCUMENTS

- 5,190,489 A * 3/1993 Yeung B63C 9/155
441/122
- 5,324,220 A * 6/1994 Stewart B63B 35/7933
119/770
- D357,722 S * 4/1995 Fireman D21/804
- 5,410,981 A * 5/1995 Gutstein F16G 11/101
114/294
- 6,000,979 A * 12/1999 Stewart B63B 35/7933
119/795
- D510,117 S * 9/2005 Jones D21/803
- 8,016,627 B2 * 9/2011 Andrea B63C 9/155
441/122

- 9,193,421 B1 * 11/2015 Bliss B63C 9/18
- 2004/0033740 A1 * 2/2004 Jones B63C 9/155
441/122
- 2014/0051309 A1 * 2/2014 McCarthy B63C 9/081
441/96

OTHER PUBLICATIONS

Smallest Inflatable Flotation Device in the World, posted at digitaltrends.com, posting date Jun. 29, 2015, [online], [site visited Feb. 2, 2017]. Available from Internet, <URL: http://www.digitaltrends.com/health-fitness/kingii-life-jacket-alternative/>.*

* cited by examiner

Primary Examiner — George D. Kirschbaum

Assistant Examiner — Maria J Edwards

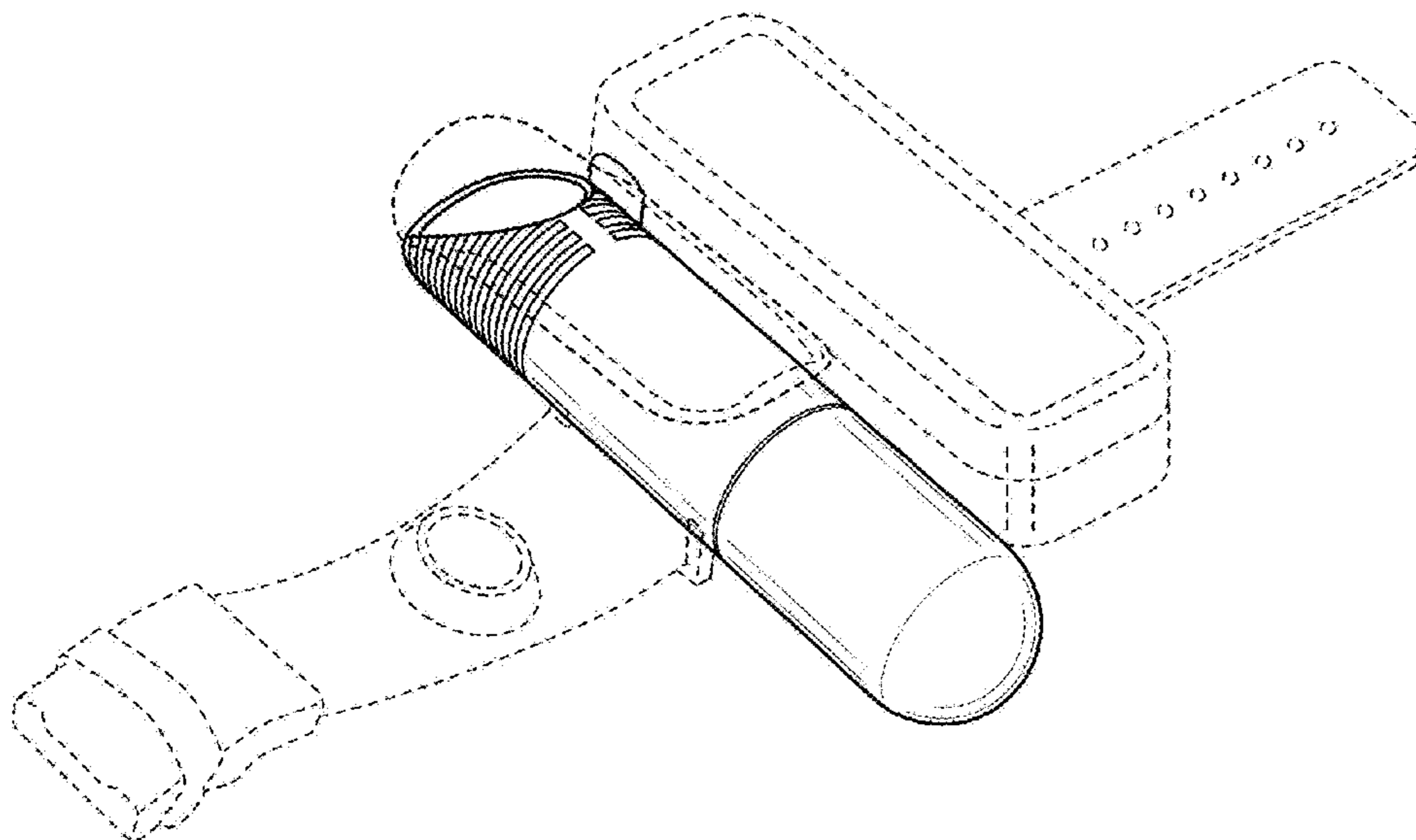
(57) **CLAIM**

I claim The ornamental design for a flotation wrist-wear device, as shown and described.

DESCRIPTION

FIG. 1 is a top, front, right side view of the flotation wrist-wear device in accordance with the design;
 FIG. 2 is a top plan view of the flotation wrist-wear device;
 FIG. 3 is a bottom view of the flotation wrist-wear device;
 FIG. 4 is a right side view of the flotation wrist-wear device;
 FIG. 5 is a left side view of the flotation wrist-wear device;
 FIG. 6 is a front view of the flotation wrist-wear device;
 FIG. 7 is a rear view of the flotation wrist-wear device; and,
 FIG. 8 is a top, front, right side view of the flotation wrist-wear device mounted to a wearer and showing the balloon contained therein in the deployed position.
 The broken lines shown on the flotation wrist-wear device are unclaimed portions and form no part of the claimed design. The broken lines showing the figure of a user (arm of a wearer) are for the purpose of illustrating environment and form no part of the claimed design.

1 Claim, 6 Drawing Sheets



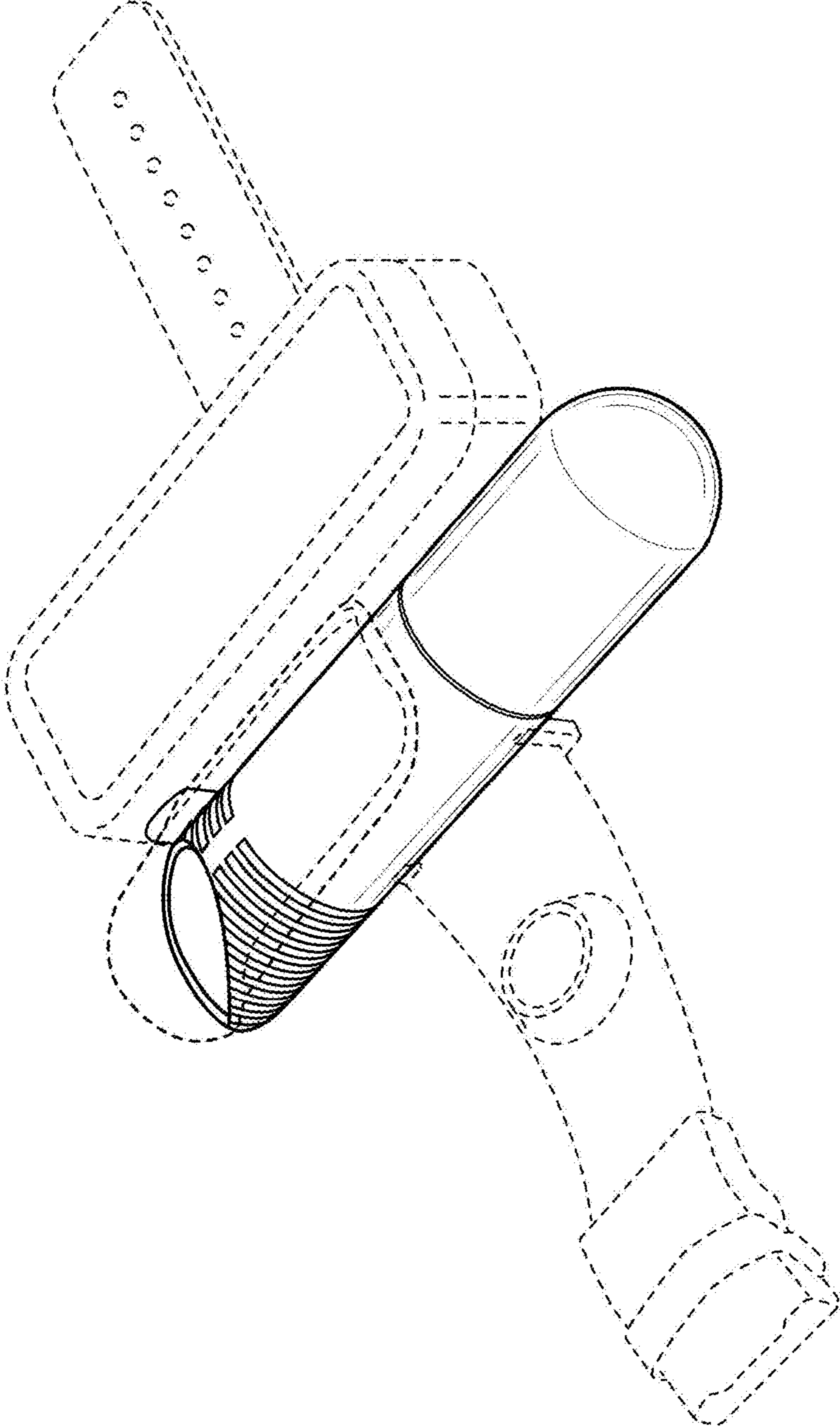


FIG. 1

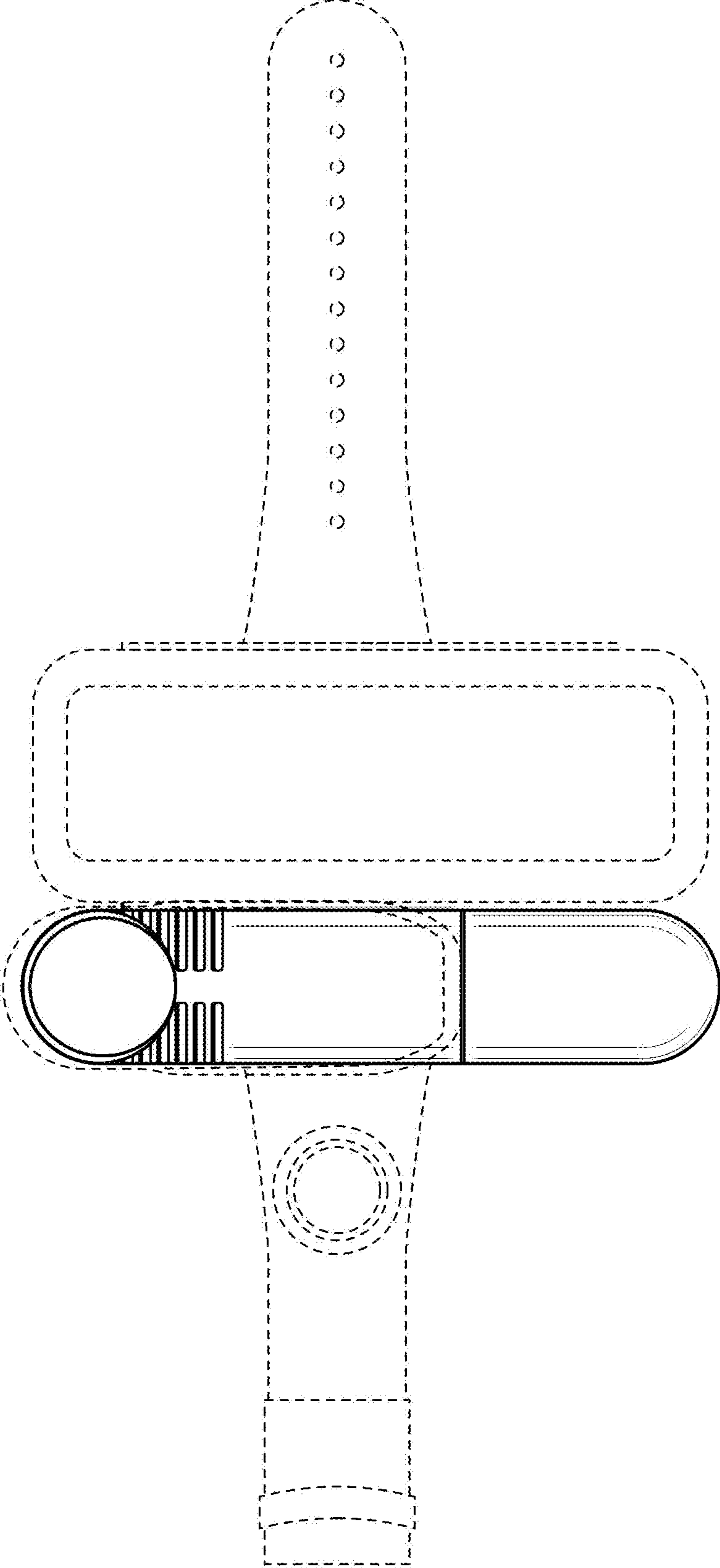


FIG. 2

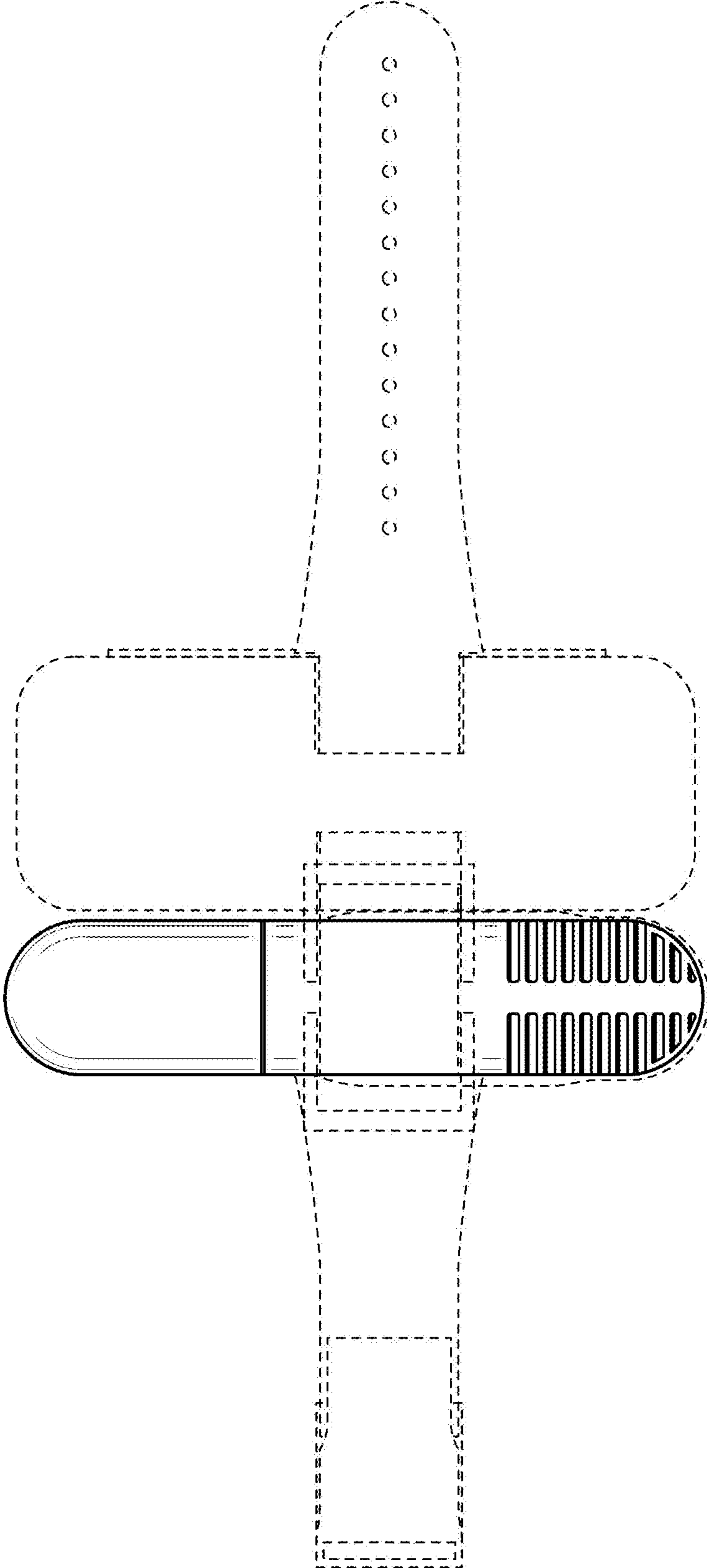


FIG. 3

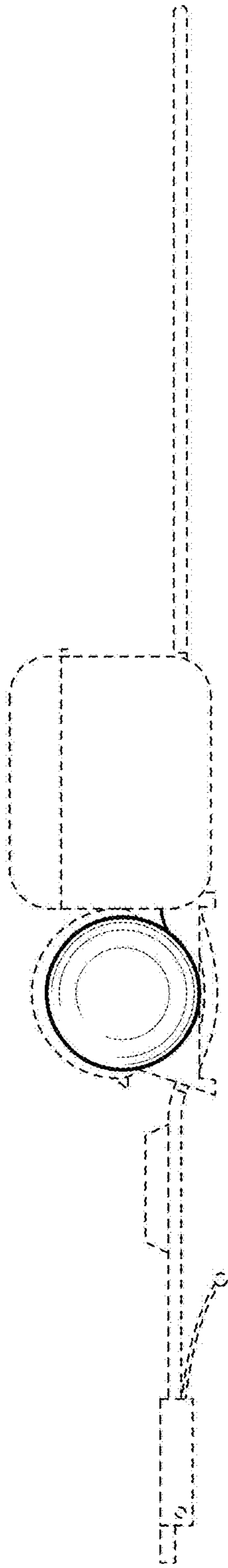


FIG. 4

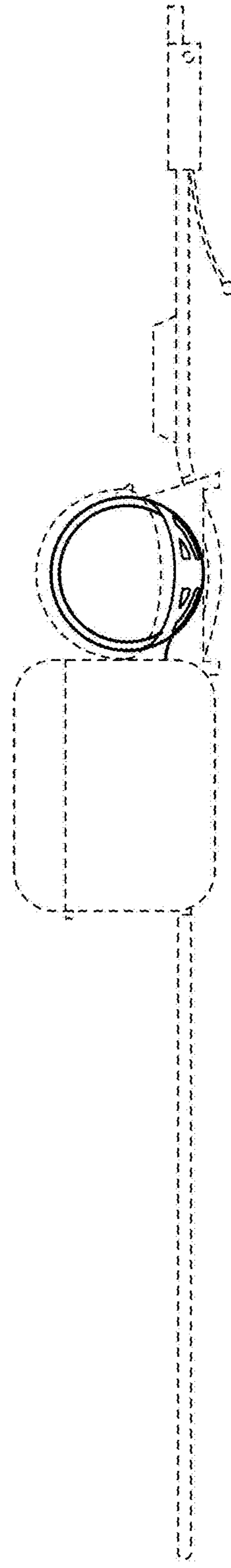


FIG. 5

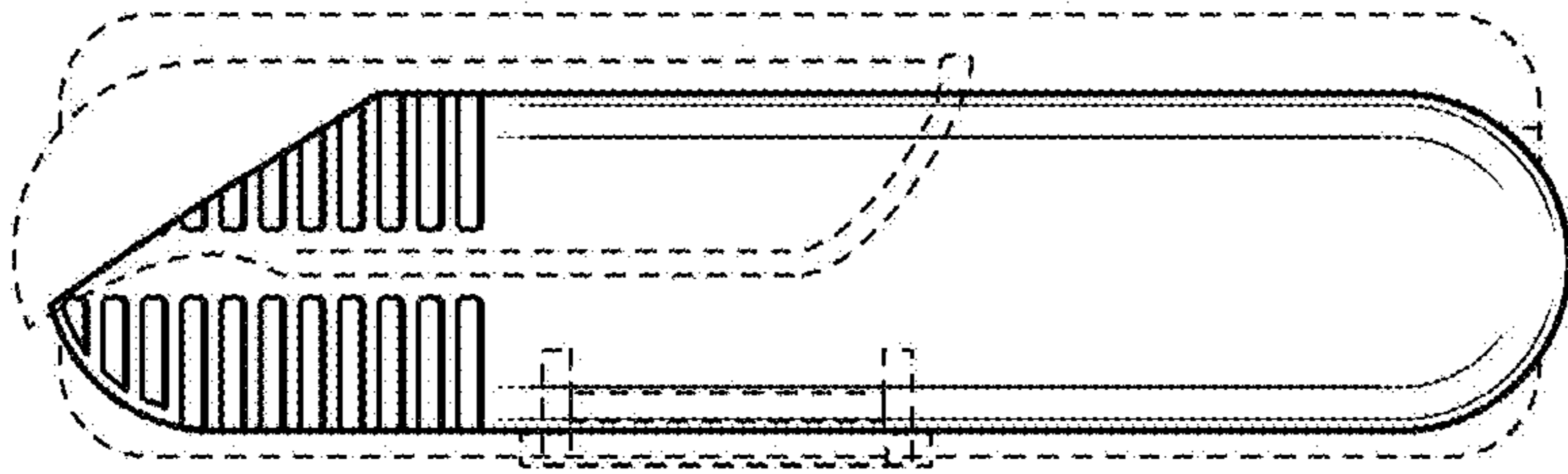


FIG. 6

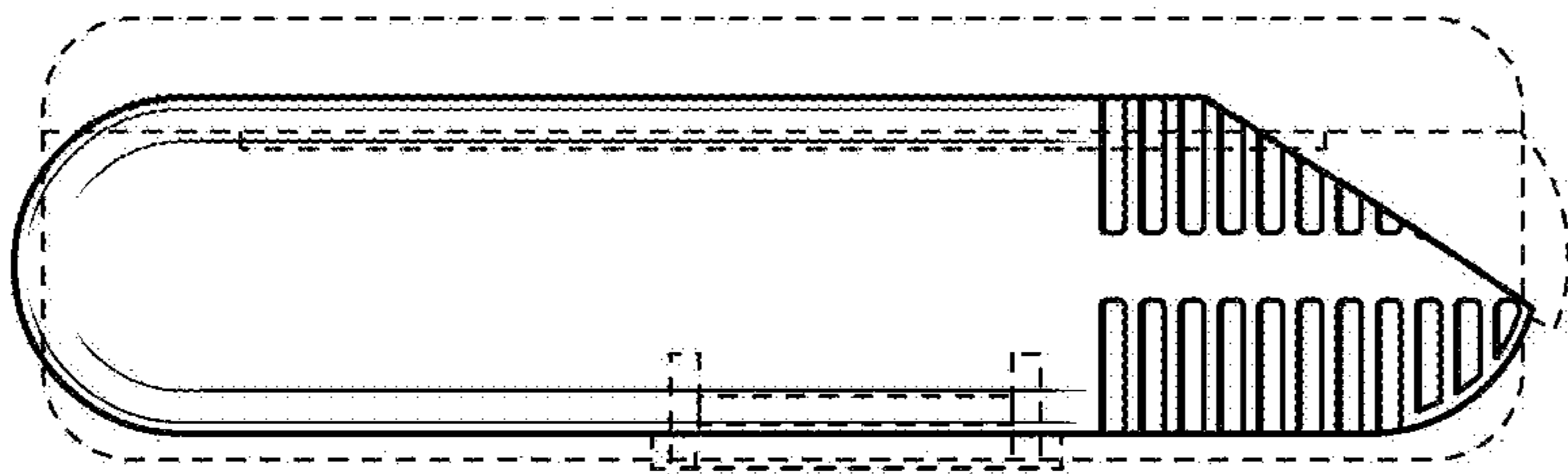


FIG. 7

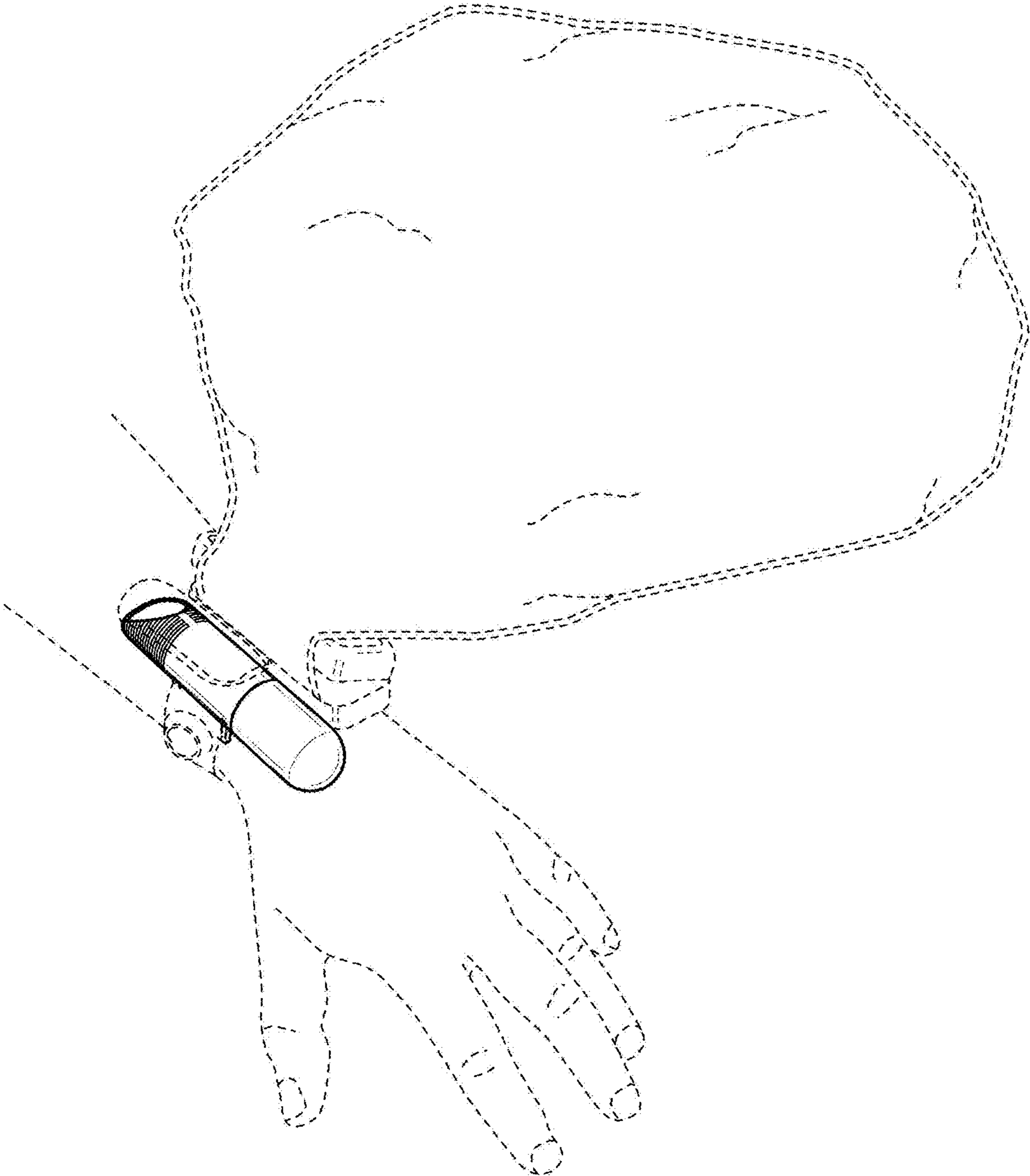


FIG. 8