



US00D818549S

(12) **United States Design Patent** (10) **Patent No.:** **US D818,549 S**  
**Su** (45) **Date of Patent:** **\*\* May 22, 2018**

(54) **TOY SCOOP PADDLE**  
(71) Applicant: **TAIWAN JOCA CORP.**, Taipei (TW)  
(72) Inventor: **Tsang-Sheng Su**, Taipei (TW)  
(73) Assignee: **TAIWAN JOCA CORP.**, Taipei (TW)  
(\*\*) Term: **15 Years**  
(21) Appl. No.: **29/596,918**  
(22) Filed: **Mar. 13, 2017**  
(51) **LOC (11) Cl.** ..... **21-02**  
(52) **U.S. Cl.**  
USPC ..... **D21/722**  
(58) **Field of Classification Search**  
USPC ..... D21/722-724  
CPC ..... A63B 59/20; A63B 49/00; A63B  
53/00-53/14; A63B 59/00; A63B 59/40;  
A63B 59/60-59/80; A63B 60/00; A63B  
60/50; A63B 60/52  
See application file for complete search history.

D269,892 S \* 7/1983 Amos ..... D21/723  
D269,893 S \* 7/1983 Amos ..... D21/723  
4,449,712 A \* 5/1984 Benedyk ..... A63B 59/20  
473/465  
4,502,690 A \* 3/1985 Ruperto ..... A63B 59/20  
473/513  
4,595,205 A \* 6/1986 Ruperto ..... A63B 59/20  
473/513  
D428,085 S \* 7/2000 Kirch ..... D21/722  
D539,859 S \* 4/2007 Eldridge ..... D21/722  
9,149,695 B2 \* 10/2015 Evans ..... A63B 65/122  
D768,796 S \* 10/2016 Evans ..... D21/722  
D796,594 S \* 9/2017 Wills ..... D21/722  
D796,595 S \* 9/2017 Wills ..... D21/722

\* cited by examiner

*Primary Examiner* — Mitchell I. Siegel  
(74) *Attorney, Agent, or Firm* — Kirton McConkie; Evan R. Witt

(57) **CLAIM**

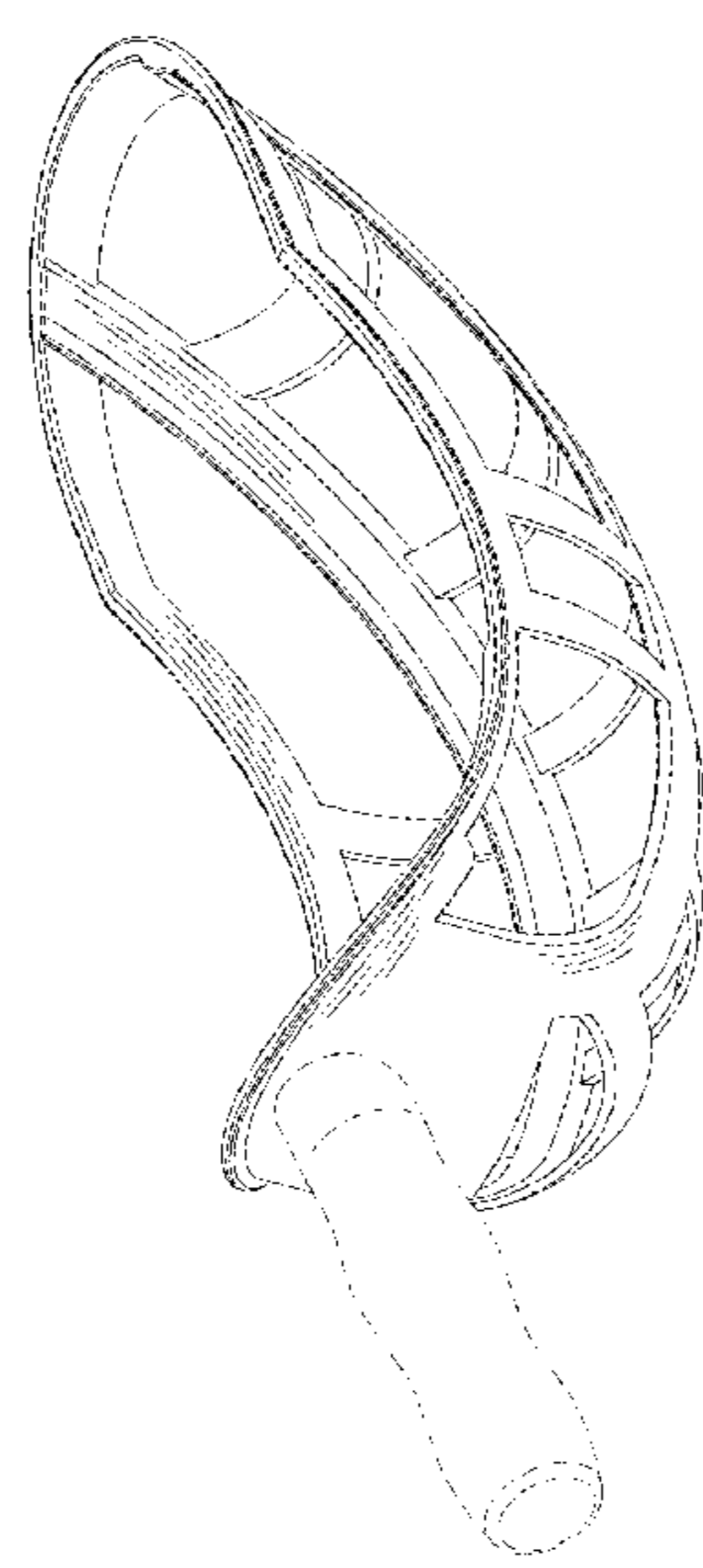
The ornamental design for a toy scoop paddle, as shown and described.

**DESCRIPTION**

FIG. 1 is a bottom, front and left side perspective view of a toy scoop paddle, showing my new design;  
FIG. 2 is a bottom, rear and left side perspective view thereof;  
FIG. 3 is a top, front and left side perspective view thereof;  
FIG. 4 is a front elevational view thereof;  
FIG. 5 is a rear elevational view thereof;  
FIG. 6 is a left side elevational view thereof;  
FIG. 7 is a right side elevational view thereof;  
FIG. 8 is a top plan view thereof; and,  
FIG. 9 is a bottom plan view thereof.  
The broken line portions in the drawing views are included to show unclaimed subject matter only and form no part of the claimed design.

**1 Claim, 9 Drawing Sheets**

(56) **References Cited**  
U.S. PATENT DOCUMENTS  
D72,656 S \* 5/1927 Abrahams ..... D21/723  
2,029,790 A \* 2/1936 Philipp ..... A63B 59/20  
473/513  
2,075,372 A \* 3/1937 Taylor ..... A63B 59/20  
473/513  
D110,863 S \* 8/1938 Hayes et al. .... D21/723  
D183,084 S \* 6/1958 Carlson ..... D21/723  
D244,306 S \* 5/1977 Bisch ..... D21/723  
4,045,026 A \* 8/1977 Gillespie ..... A63B 59/20  
124/5  
4,310,368 A \* 1/1982 Urquiaga ..... A63B 59/20  
156/148  
D269,536 S \* 6/1983 Amos ..... 473/513  
D269,794 S \* 7/1983 Amos ..... D21/723  
D269,795 S \* 7/1983 Amos ..... D21/723  
D269,891 S \* 7/1983 Amos ..... D21/723



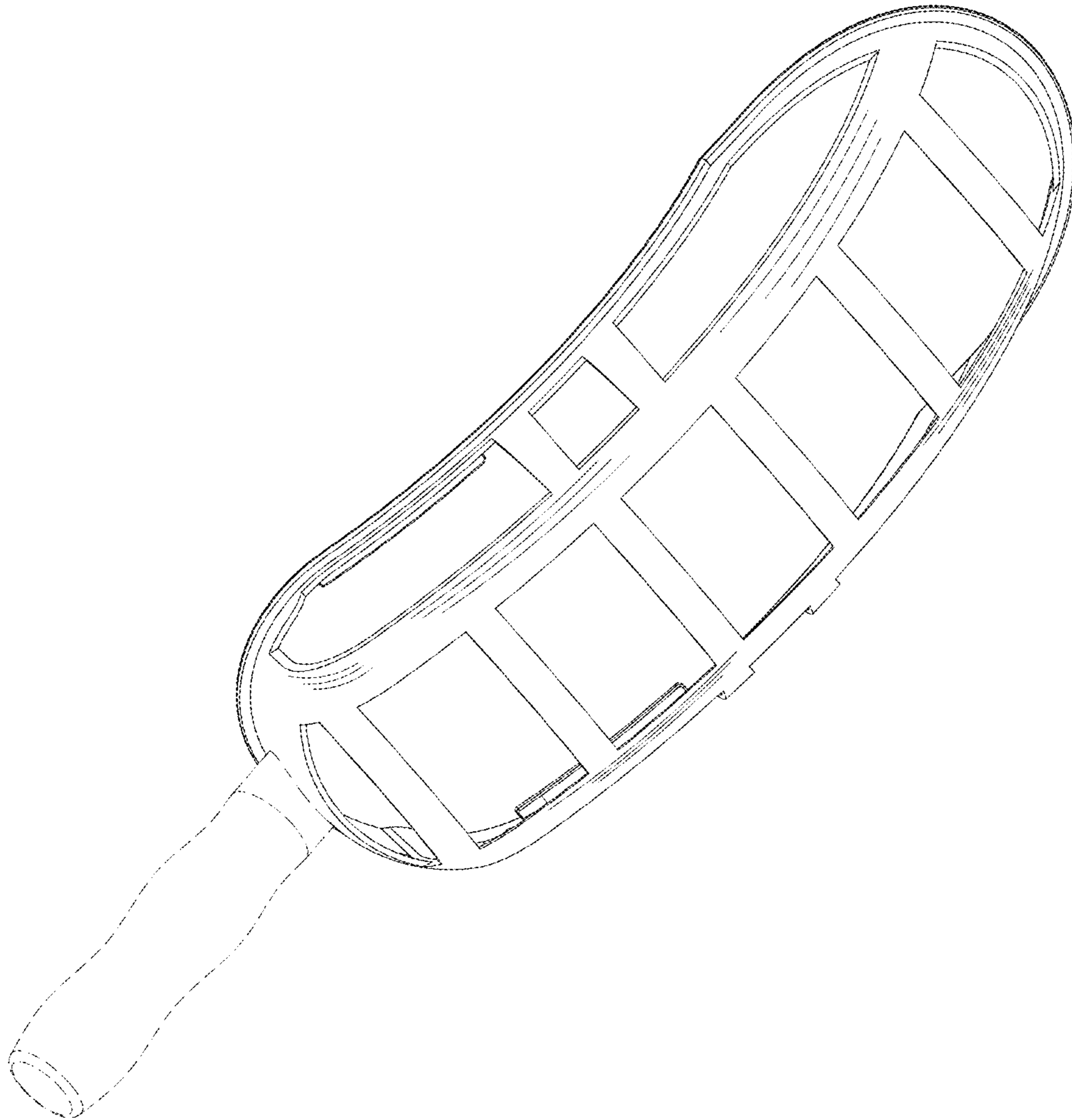


FIG. 1

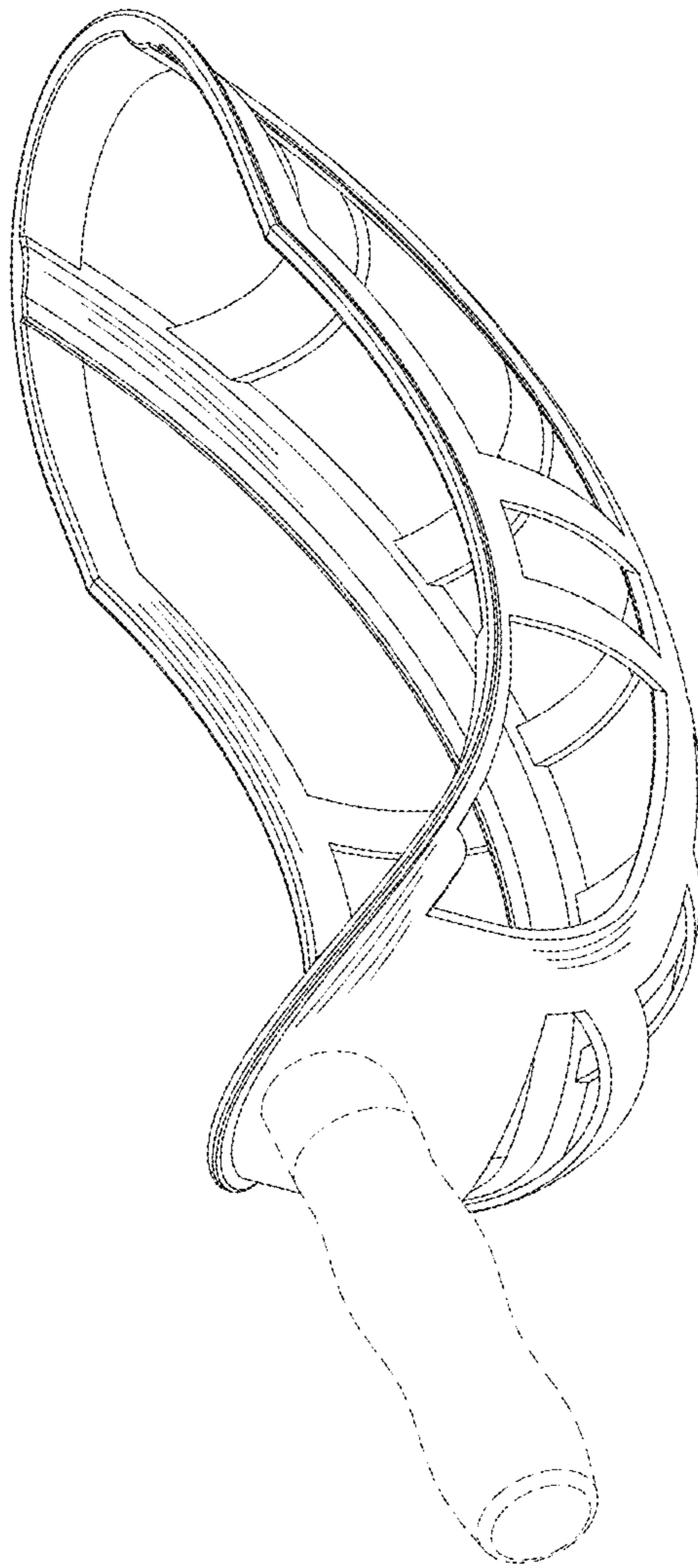


FIG. 2

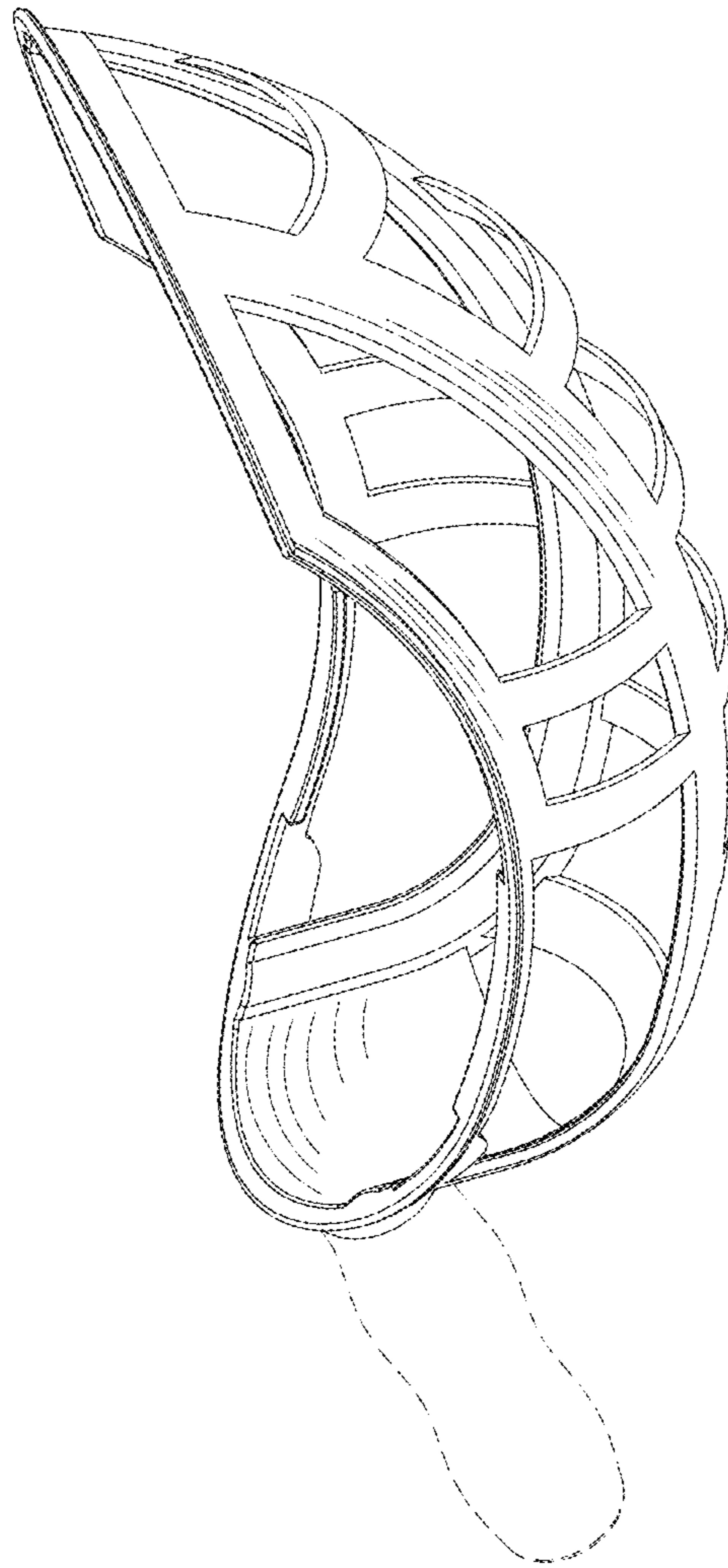


FIG. 3

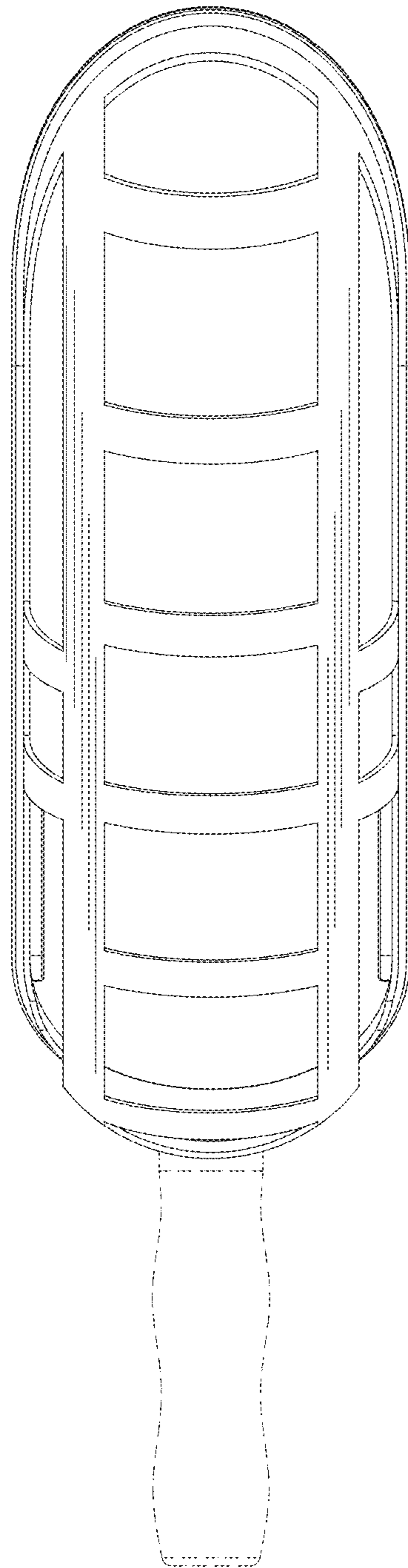


FIG. 4



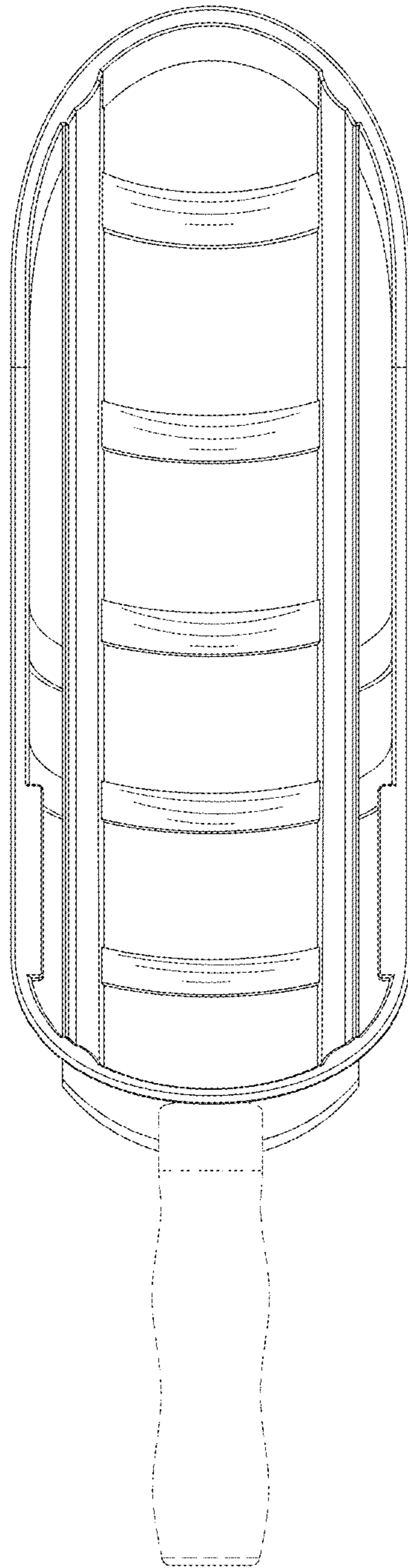


FIG. 5

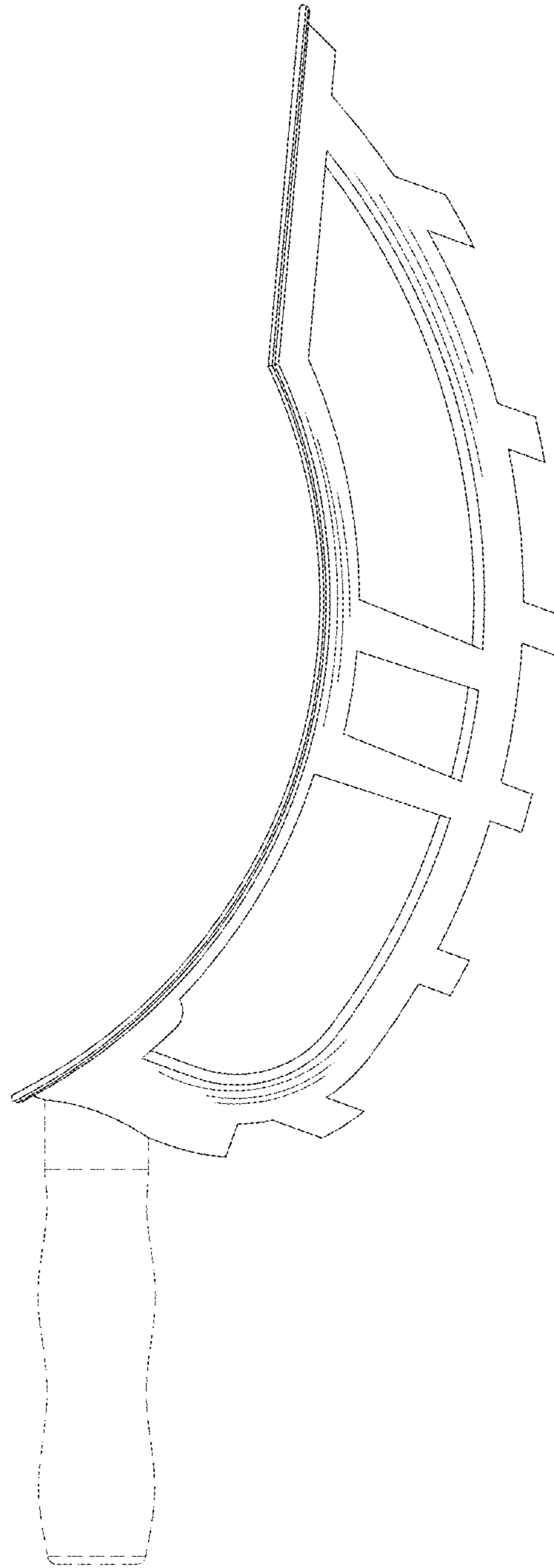


FIG. 6

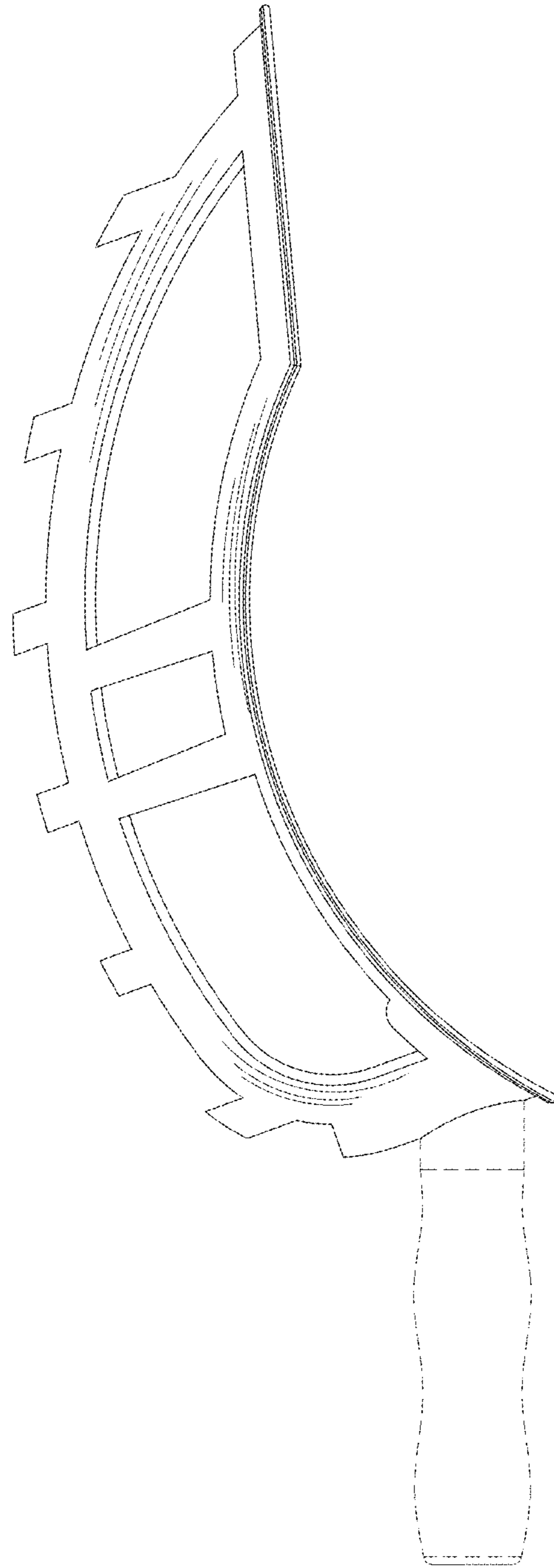


FIG. 7



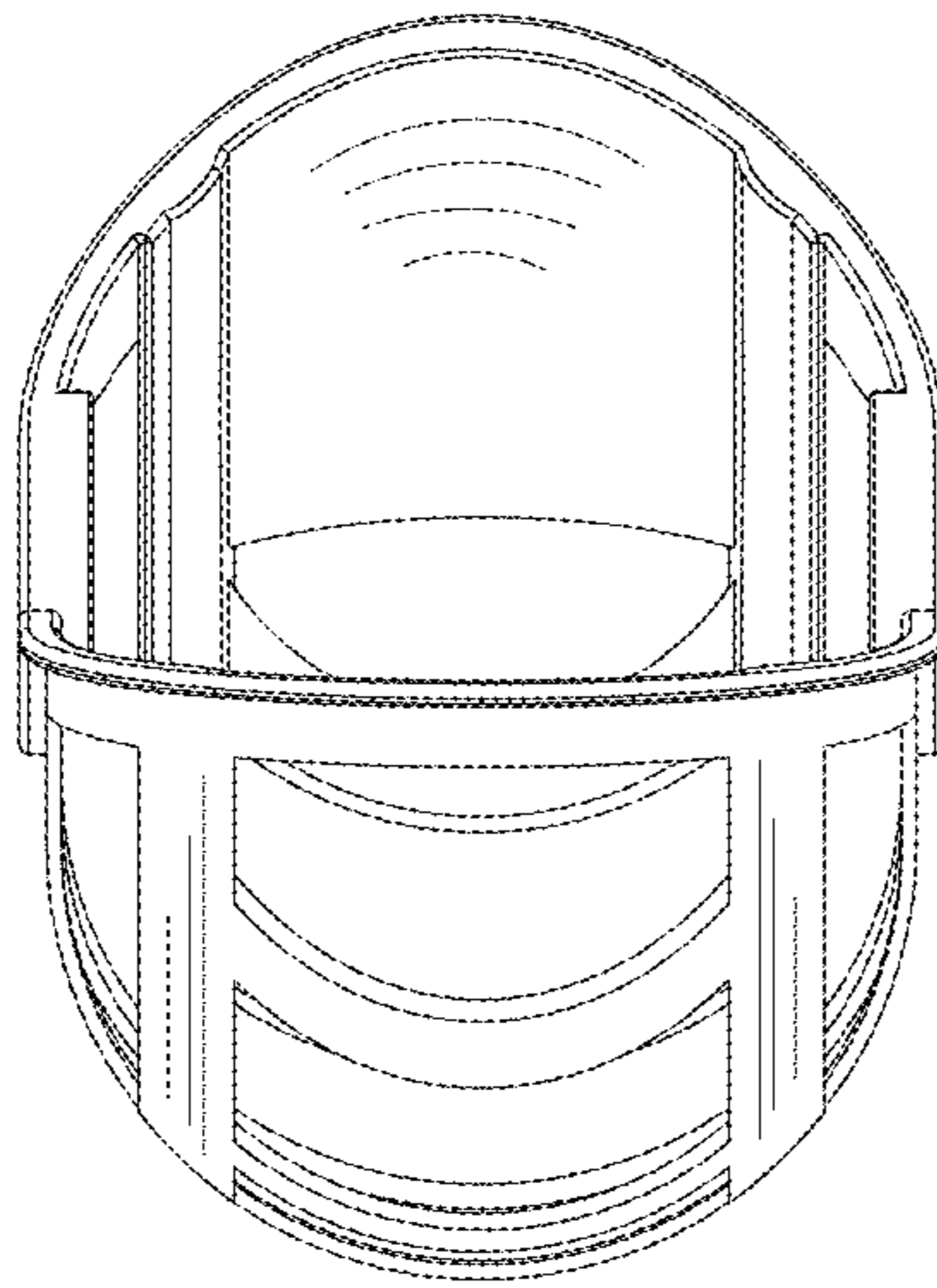


FIG. 8

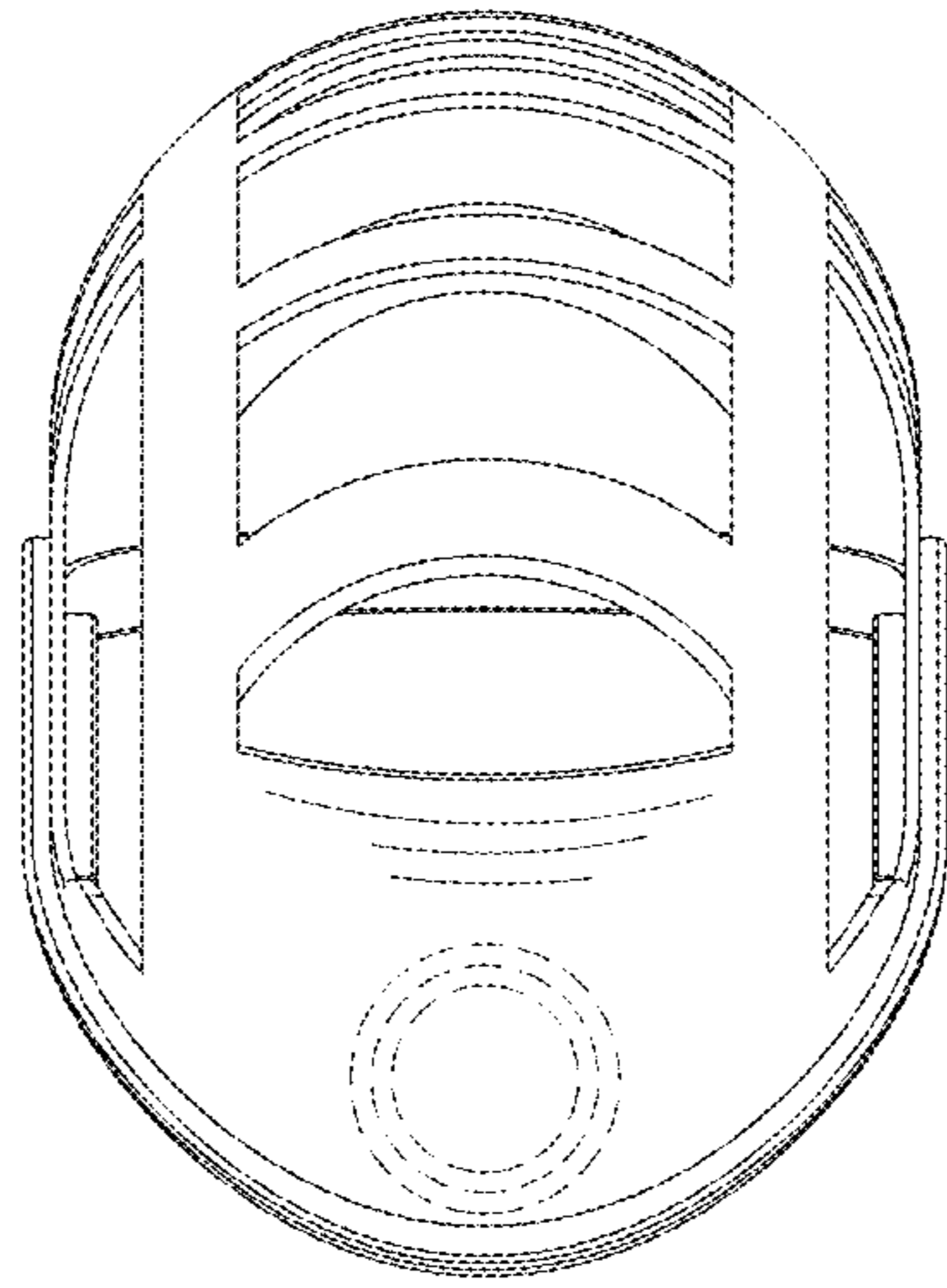


FIG. 9