



US00D818545S

(12) **United States Design Patent**
Ross

(10) **Patent No.:** **US D818,545 S**

(45) **Date of Patent:** **** May 22, 2018**

- (54) **JUMP ROPE**
- (71) Applicant: **Exemplar Design, LLC**, Mason, OH (US)
- (72) Inventor: **Adam L. Ross**, Mason, OH (US)
- (73) Assignee: **Exemplar Design, LLC**, Mason, OH (US)
- (**) Term: **15 Years**
- (21) Appl. No.: **29/581,660**
- (22) Filed: **Oct. 20, 2016**
- (51) **LOC (11) Cl.** **21-02**
- (52) **U.S. Cl.**
USPC **D21/672**
- (58) **Field of Classification Search**
USPC 482/107, 121, 148, 44-46, 49, 81, 82;
D21/662, 672, 682, 684, 694, 798;
D24/212, 214, 215; D8/107, 303, 307;
D13/117, 133, 153; D5/99; 606/74, 200;
87/8, 9
CPC A63B 5/20; A63B 5/22; A61H 15/0092;
A63H 13/14; D04C 1/06; D04C 1/12;
H01B 5/12; H01B 13/2606; H01B 7/425;
H01B 11/1813
See application file for complete search history.

- 3,551,263 A * 12/1970 Carter A41G 1/009
112/410
 - 4,036,101 A * 7/1977 Burnett D04C 1/12
294/74
 - 4,195,549 A * 4/1980 Schuster D04C 1/12
57/234
 - 4,321,854 A * 3/1982 Foote A01K 91/00
43/44.98
 - D268,436 S * 3/1983 Clark D21/680
 - D287,868 S * 1/1987 Whaley D21/672
- (Continued)

OTHER PUBLICATIONS

Metalcloth. "Braided Wire", 1964 <http://www.metalcloth.com/>.
Shown on p. 1. (Year: 1964).*

Primary Examiner — Cynthia Ramirez
Assistant Examiner — Michael A Maharajh
(74) *Attorney, Agent, or Firm* — Baker & Hostetler LLP

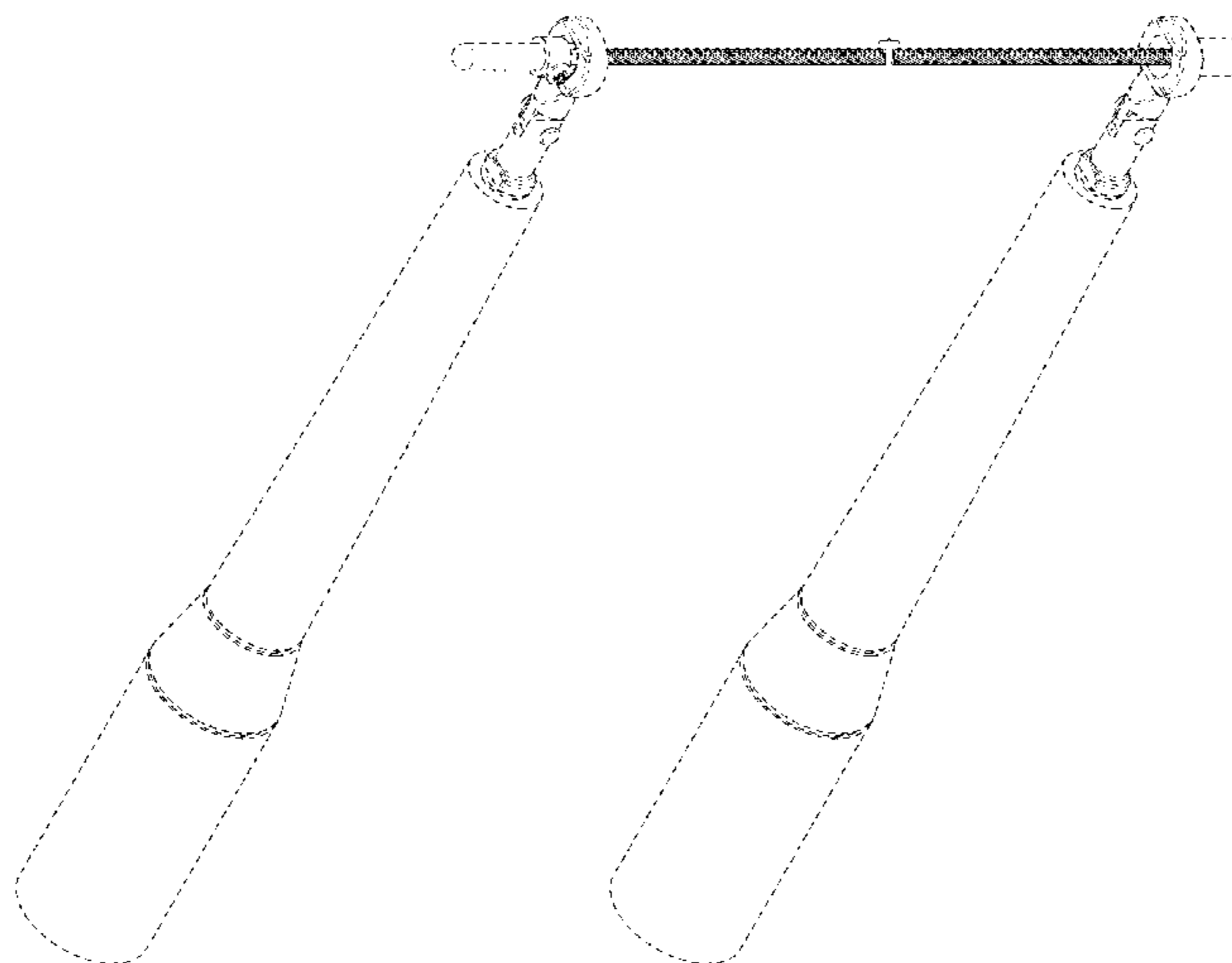
(57) **CLAIM**

The ornamental design for a jump rope, as shown and described.

DESCRIPTION

FIG. 1 is a top perspective view of the jump rope showing my new design;
FIG. 2 is a front view thereof;
FIG. 3 is a back view thereof;
FIG. 4 is a left side elevation view thereof;
FIG. 5 is a right side elevation view thereof;
FIG. 6 is a top plan view thereof;
FIG. 7 is a bottom plan view thereof; and,
FIG. 8 is an enlarged view taken from FIG. 3.
The broken lines in the drawings are for the purpose of illustrating portions of the jump rope which form no part of the claimed design.
The jump rope is shown with a symbolic break in its length. The appearance of any portion of the article between the break lines forms no part of the claimed design.

1 Claim, 5 Drawing Sheets



(56)

References Cited

U.S. PATENT DOCUMENTS

D368,501 S * 4/1996 Woodruff D21/672
 D407,450 S * 3/1999 Janet D21/672
 6,440,043 B1 * 8/2002 LaCoste A63B 5/20
 482/82
 7,470,224 B1 * 12/2008 Everett A63B 21/04
 482/121
 7,833,141 B2 * 11/2010 Kulka A63B 21/153
 482/121
 7,850,582 B2 * 12/2010 Smith A63B 21/00043
 482/121
 D740,760 S * 10/2015 Gliksman D13/153
 D777,680 S * 1/2017 Chia D13/153
 2005/0192581 A1 * 9/2005 Molz A61B 17/842
 606/74
 2006/0189456 A1 * 8/2006 Ford A63B 21/06
 482/93
 2006/0207414 A1 * 9/2006 Nye D04C 1/12
 87/7
 2008/0163882 A1 * 7/2008 Owens A41G 5/0046
 132/201
 2010/0216608 A1 * 8/2010 Veitch A63B 5/20
 482/82

2013/0125739 A1 * 5/2013 Kinugasa D04C 1/06
 87/9
 2013/0263724 A1 * 10/2013 Kirth D04C 1/12
 87/9
 2014/0058436 A1 * 2/2014 Rosenbluth A61F 2/07
 606/200
 2014/0090549 A1 * 4/2014 Hurlen D07B 1/02
 87/9
 2014/0157973 A1 * 6/2014 Plante D04C 1/12
 87/8
 2014/0196316 A1 * 7/2014 Follet A43B 23/0245
 36/84
 2014/0196596 A1 * 7/2014 Padilla D04C 1/12
 87/6
 2015/0173753 A1 * 6/2015 Spivey A61B 17/06166
 606/228
 2016/0155533 A1 * 6/2016 Omoto H01B 7/009
 174/128.1
 2016/0258089 A1 * 9/2016 Erlendsson D04C 1/12
 2016/0345676 A1 * 12/2016 Bruce A43B 23/0245
 2017/0058454 A1 * 3/2017 Safwat D07B 1/16
 2017/0190137 A1 * 7/2017 Marcoe B32B 1/08

* cited by examiner

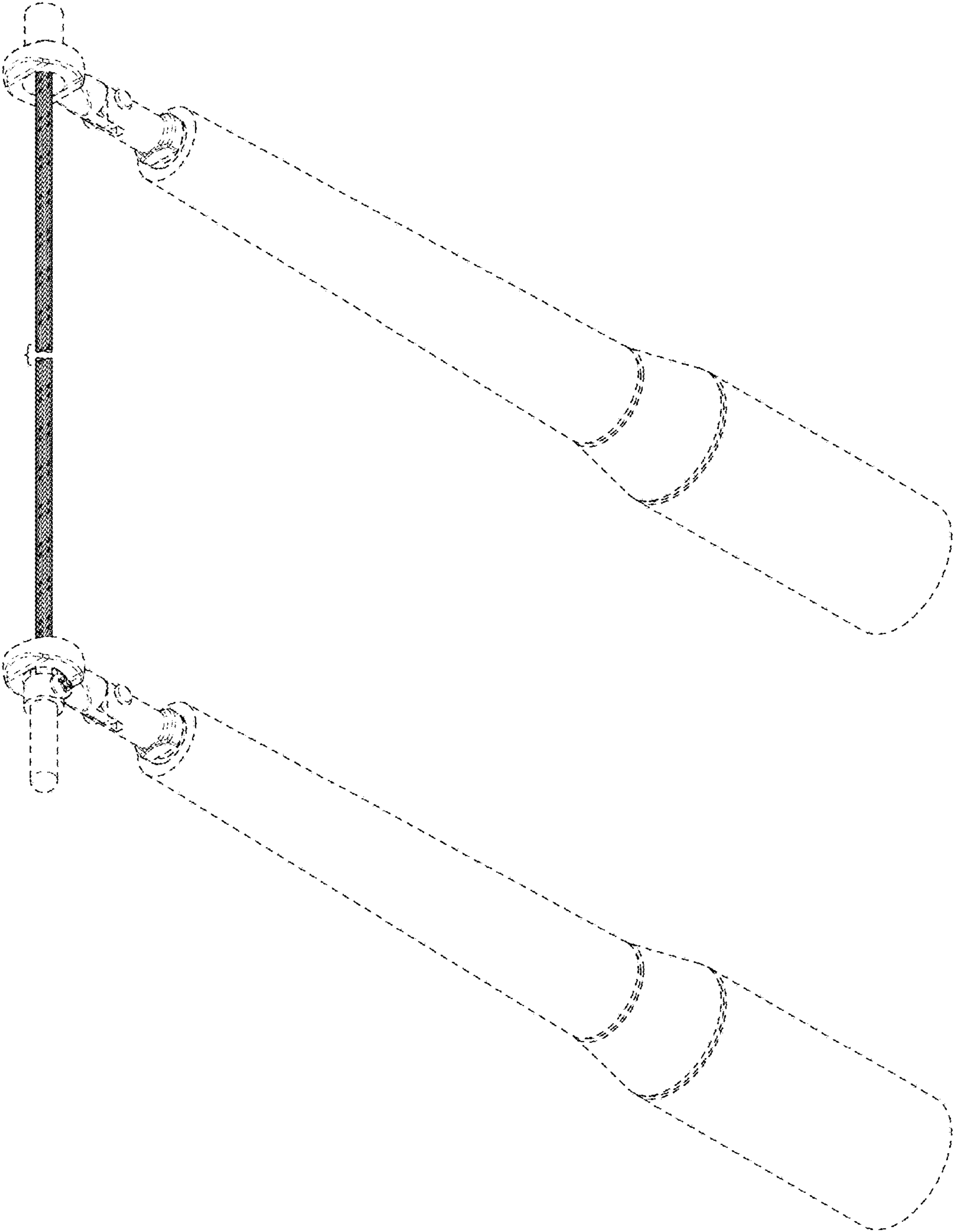


FIG. 1

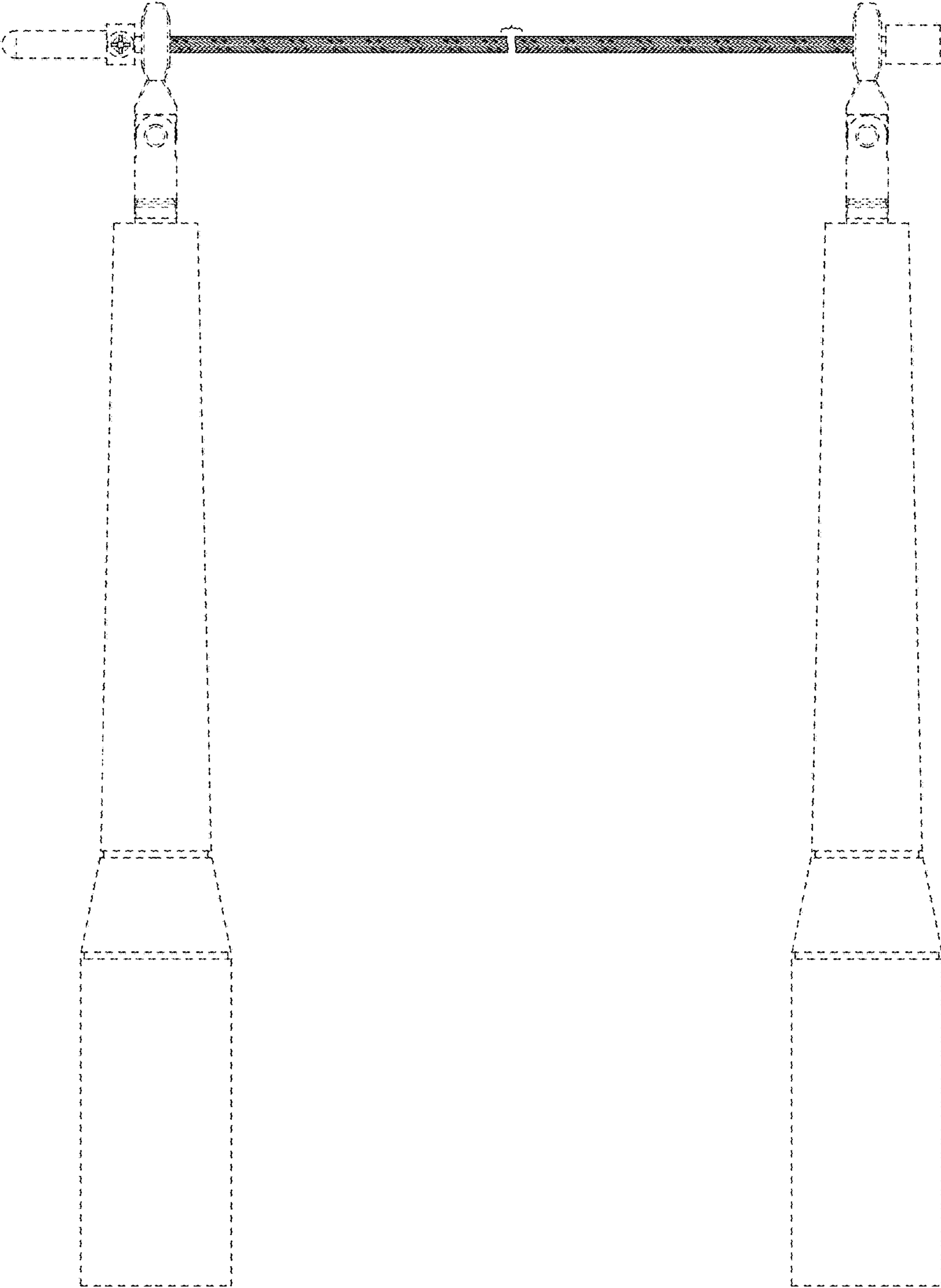


FIG. 2

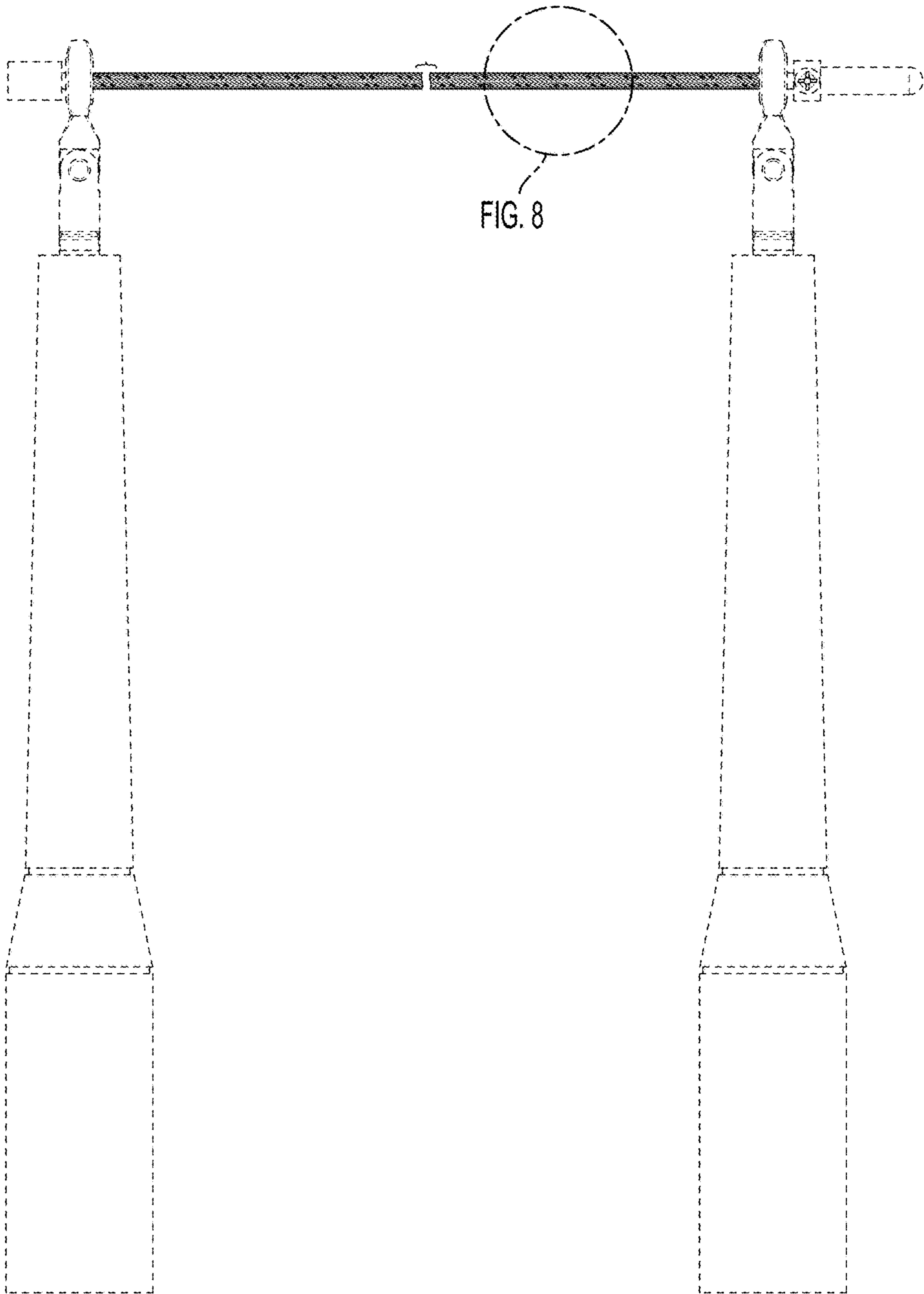


FIG. 3

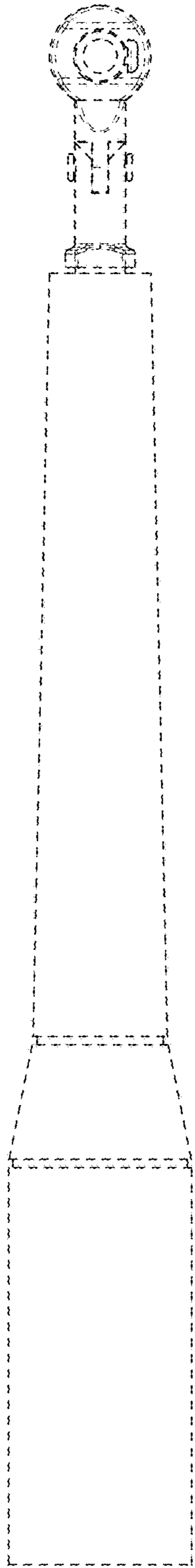


FIG. 4

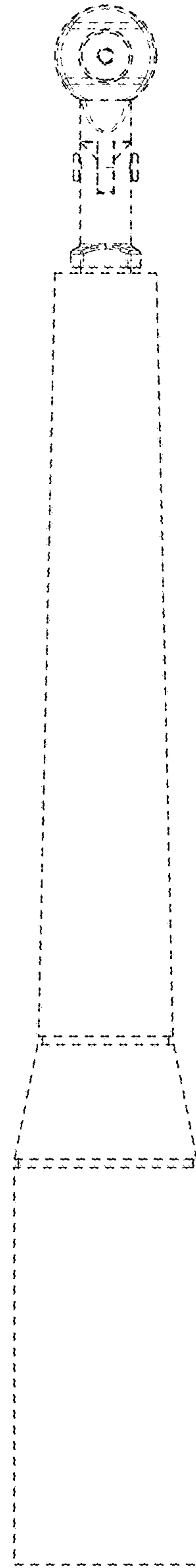


FIG. 5

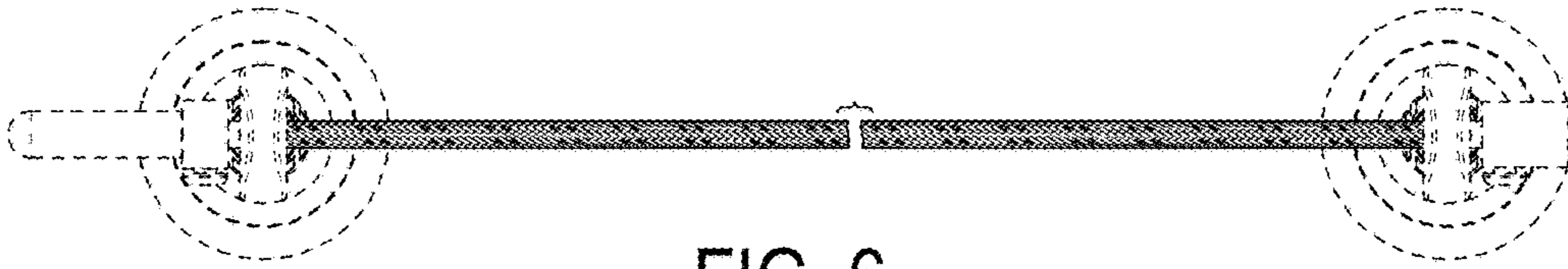


FIG. 6

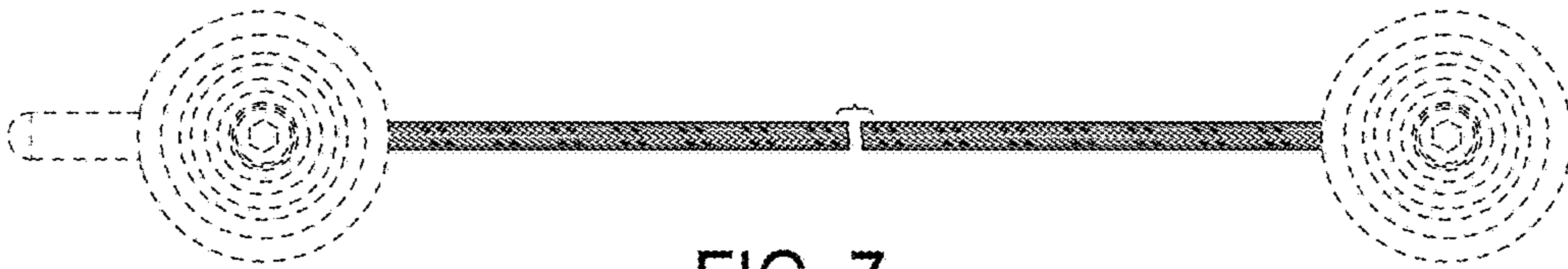


FIG. 7

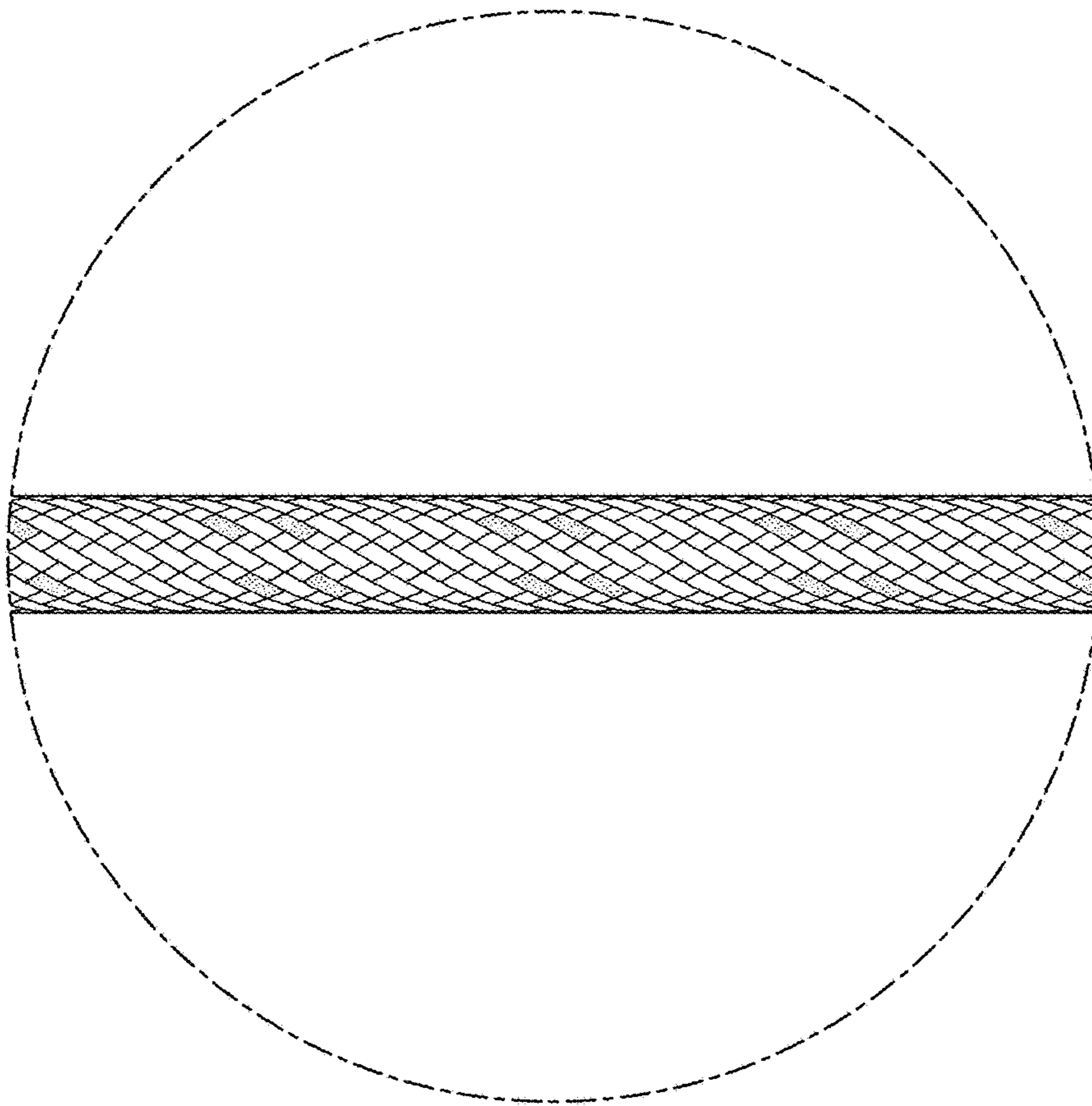


FIG. 8