



US00D818544S

(12) **United States Design Patent**
Miller et al.

(10) **Patent No.:** **US D818,544 S**
(45) **Date of Patent:** **** May 22, 2018**

(54) **ABDOMINAL EXERCISE WHEEL**
(71) Applicant: **XYSTUS, LLC**, Carrollton, TX (US)
(72) Inventors: **Reuben A. Miller**, McKinney, TX (US); **Shane Hernandez**, McKinney, TX (US)
(73) Assignee: **XYSTUS, LLC**, Carrollton, TX (US)

6,544,153 B2 * 4/2003 Lee A63B 21/0004
482/127
6,575,883 B1 * 6/2003 Hinds A63B 21/0004
482/125
7,357,764 B2 * 4/2008 Stearns A63B 21/0552
297/259.1
D624,136 S * 9/2010 Chen D21/760
7,837,603 B1 * 11/2010 Carnell, Sr. A63B 21/0004
482/132

(Continued)

(**) Term: **15 Years**

OTHER PUBLICATIONS

(21) Appl. No.: **29/568,726**

Circ-It by Xystus dated no date given. Found online [Sep. 20, 2017]<http://fit-everywhere.com/product/logo-t-shirt/#prettyPhoto>.*

(22) Filed: **Jun. 21, 2016**

Related U.S. Application Data

(63) Continuation-in-part of application No. 14/684,626, filed on Apr. 13, 2015, now Pat. No. 9,649,521.

Primary Examiner — Robert M. Spear
Assistant Examiner — Ryan Harvey

(51) **LOC (11) Cl.** **21-02**

(74) *Attorney, Agent, or Firm* — Stephen Y. Liu; Colin P. Cahoon; Carstens & Cahoon, LLP

(52) **U.S. Cl.**
USPC **D21/662**

(57) **CLAIM**

(58) **Field of Classification Search**
USPC 482/132, 140, 123, 142, 145, 127, 907, 482/82, 114, 121, 92, 141, 148, 125, 136, 482/55, 139; D21/662, 681, 760, 679, D21/686, 689, 671; D12/107; D15/199
CPC . A63B 23/1236; A63B 21/4035; A63B 23/12; A63B 21/00047; A63B 22/10/50; A63B 22/20; A63B 21/068; A63B 21/0004
See application file for complete search history.

The ornamental design for a abdominal exercise wheel, as shown and described.

DESCRIPTION

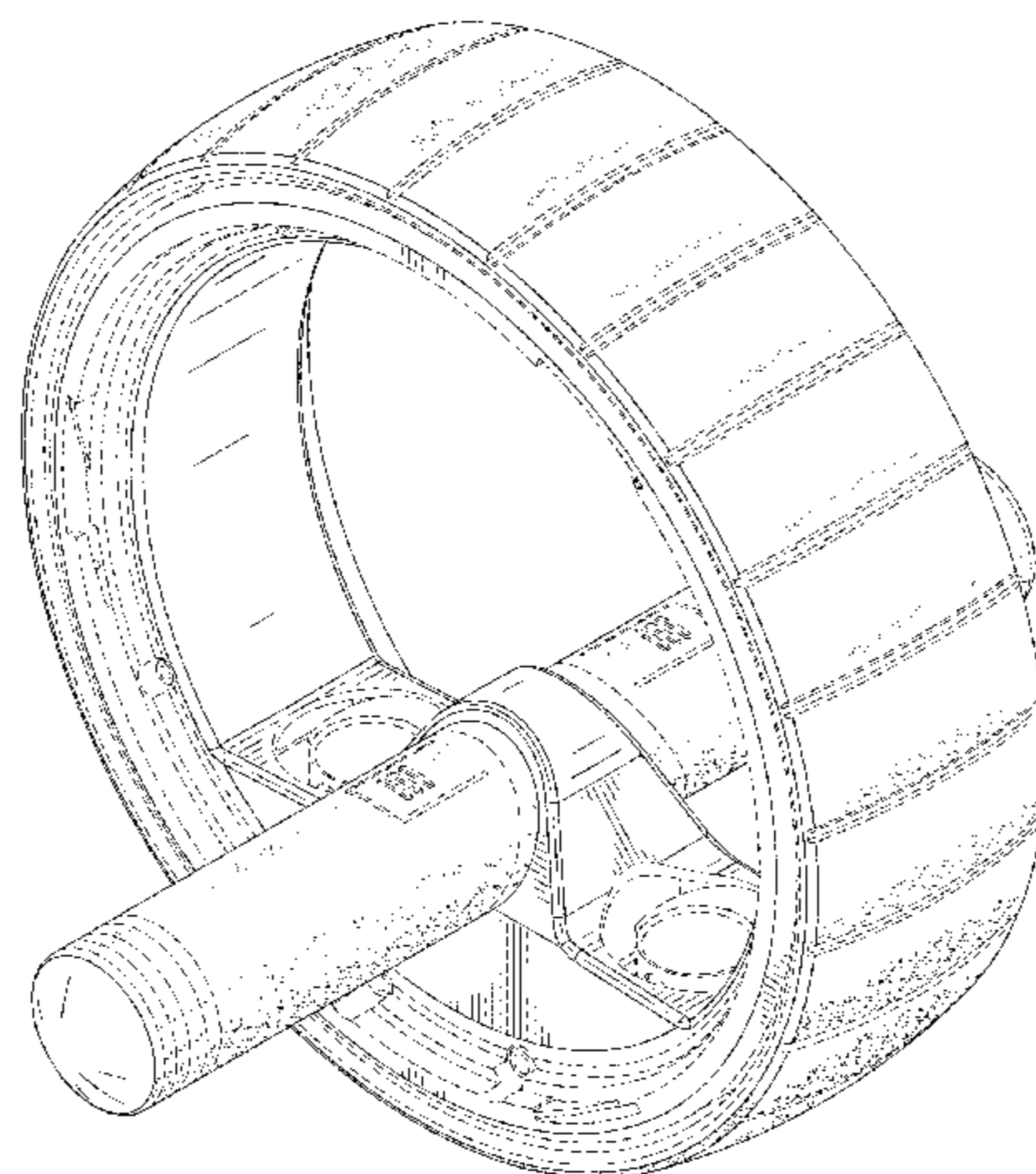
(56) **References Cited**

U.S. PATENT DOCUMENTS

D224,935 S * 10/1972 Winger D21/662
D306,886 S * 3/1990 Shiek D21/662
5,871,425 A * 2/1999 Gvoich A63B 21/0055
482/123
6,328,680 B1 * 12/2001 Shifferaw A63B 21/0618
482/127
D454,929 S * 3/2002 Huang D21/662

FIG. 1 is a top perspective view of the abdominal exercise wheel;
FIG. 2 is a bottom perspective view of the abdominal exercise wheel;
FIG. 3 is a front view of the abdominal exercise wheel, the back view being a mirror image;
FIG. 4 is a right side view of the abdominal exercise wheel;
FIG. 5 is a left side view of the abdominal exercise wheel;
FIG. 6 is a top view of the abdominal exercise wheel; and,
FIG. 7 is a bottom view of the abdominal exercise wheel.
The broken lines showing portions of the abdominal exercise wheel depict environment and form no part of the claim.

1 Claim, 7 Drawing Sheets



(56)

References Cited

U.S. PATENT DOCUMENTS

D666,255 S * 8/2012 Babchinetskaya D21/662
 D669,141 S * 10/2012 MacColl D21/662
 8,376,914 B2 * 2/2013 Avrett A63B 21/0606
 441/129
 8,613,453 B2 * 12/2013 Chen A63C 17/00
 280/11.24
 9,011,303 B2 * 4/2015 MacColl A63B 21/0004
 482/127
 D729,698 S * 5/2015 Chen D12/107
 D733,203 S * 6/2015 Menor D12/107
 D745,614 S * 12/2015 Ho D21/662
 D747,668 S * 1/2016 Chen D12/107
 D774,958 S * 12/2016 Chen D12/107
 D774,959 S * 12/2016 Chen D12/107
 9,586,088 B2 * 3/2017 Wong A63B 23/0211

2002/0123416 A1* 9/2002 Huang A63B 21/153
 482/140
 2007/0010384 A1* 1/2007 Roberts A63B 22/20
 482/140
 2011/0160024 A1* 6/2011 Candela A63B 23/0211
 482/132
 2011/0183824 A1* 7/2011 Yang A63B 21/0004
 482/132
 2012/0172184 A1* 7/2012 Wang A63B 21/0552
 482/132
 2012/0264578 A1* 10/2012 Frederick A63B 21/0004
 482/132
 2013/0017936 A1* 1/2013 Olson A63B 21/0004
 482/132
 2013/0281270 A1* 10/2013 Chen A63B 21/0004
 482/132
 2015/0328491 A1* 11/2015 Miller A63B 1/00185
 482/82

* cited by examiner

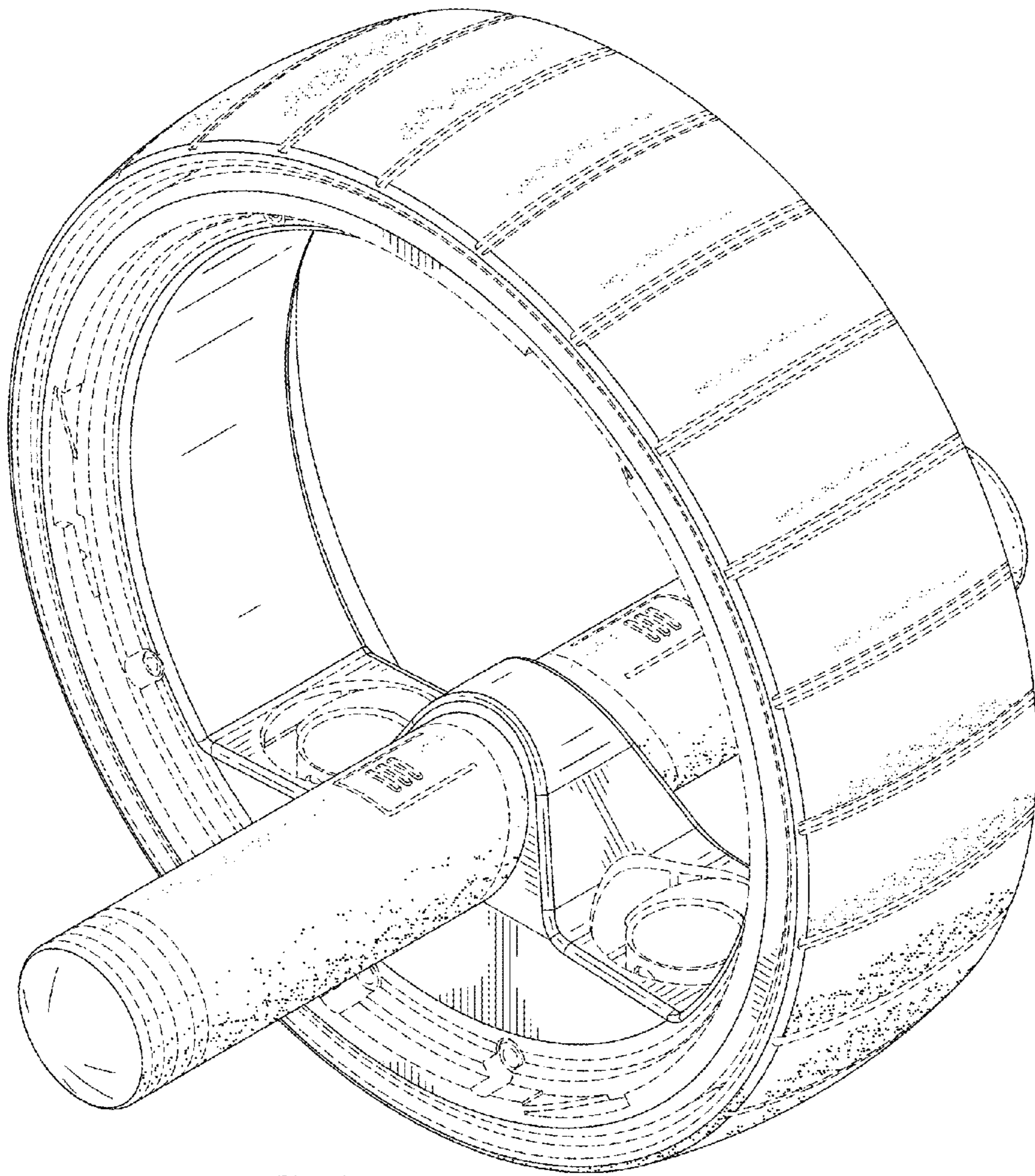


FIG. 1

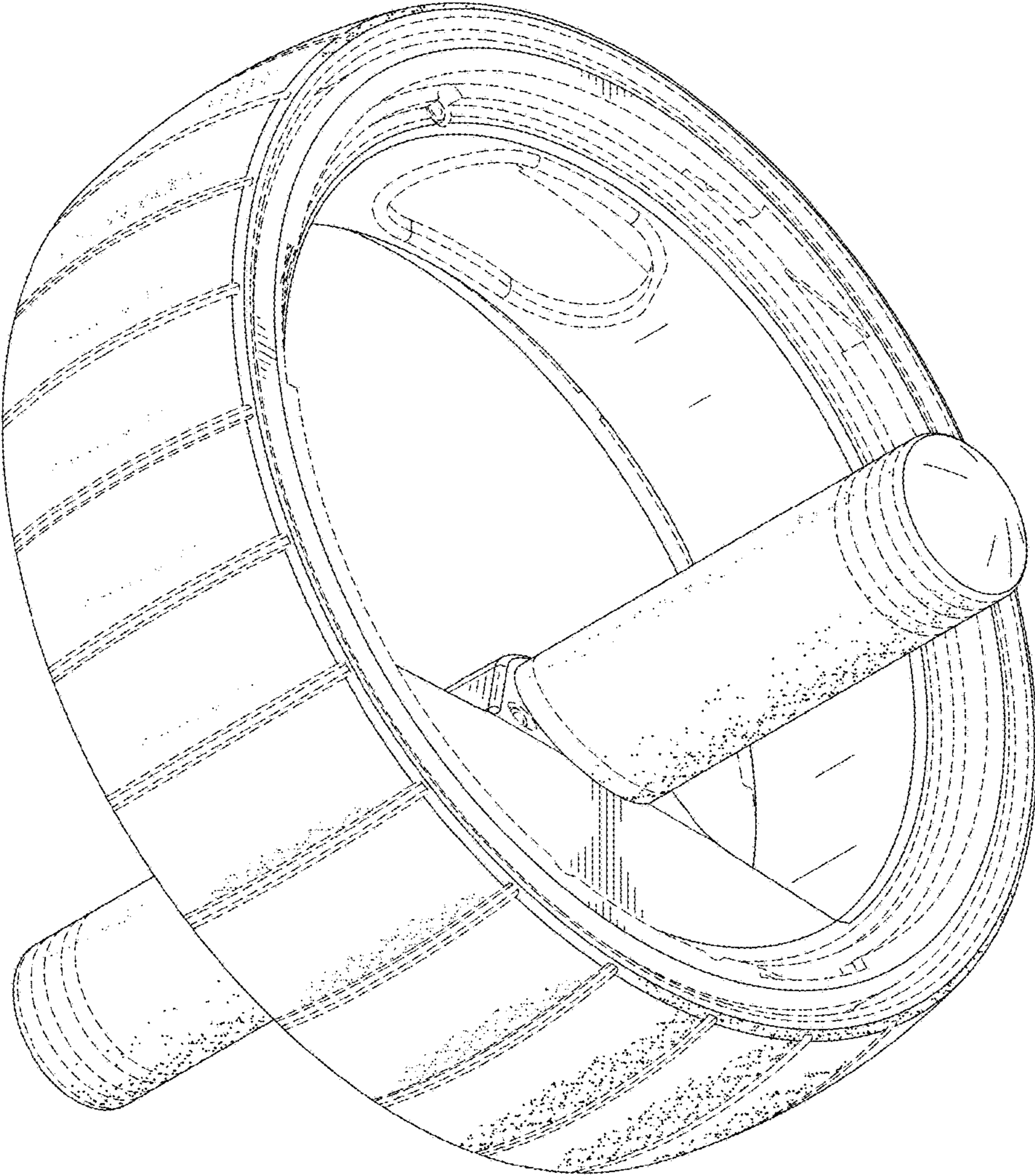


FIG. 2

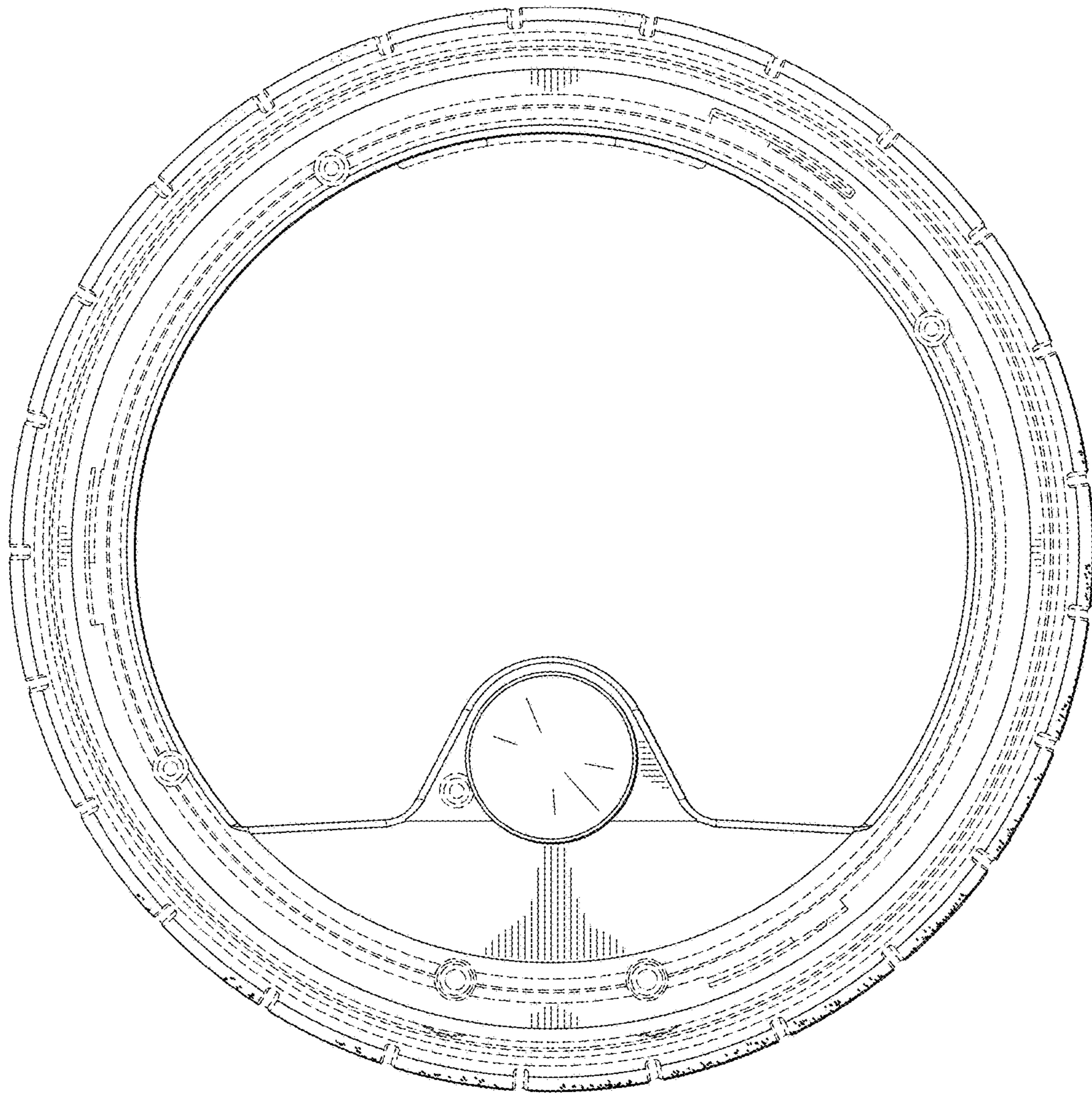


FIG. 3

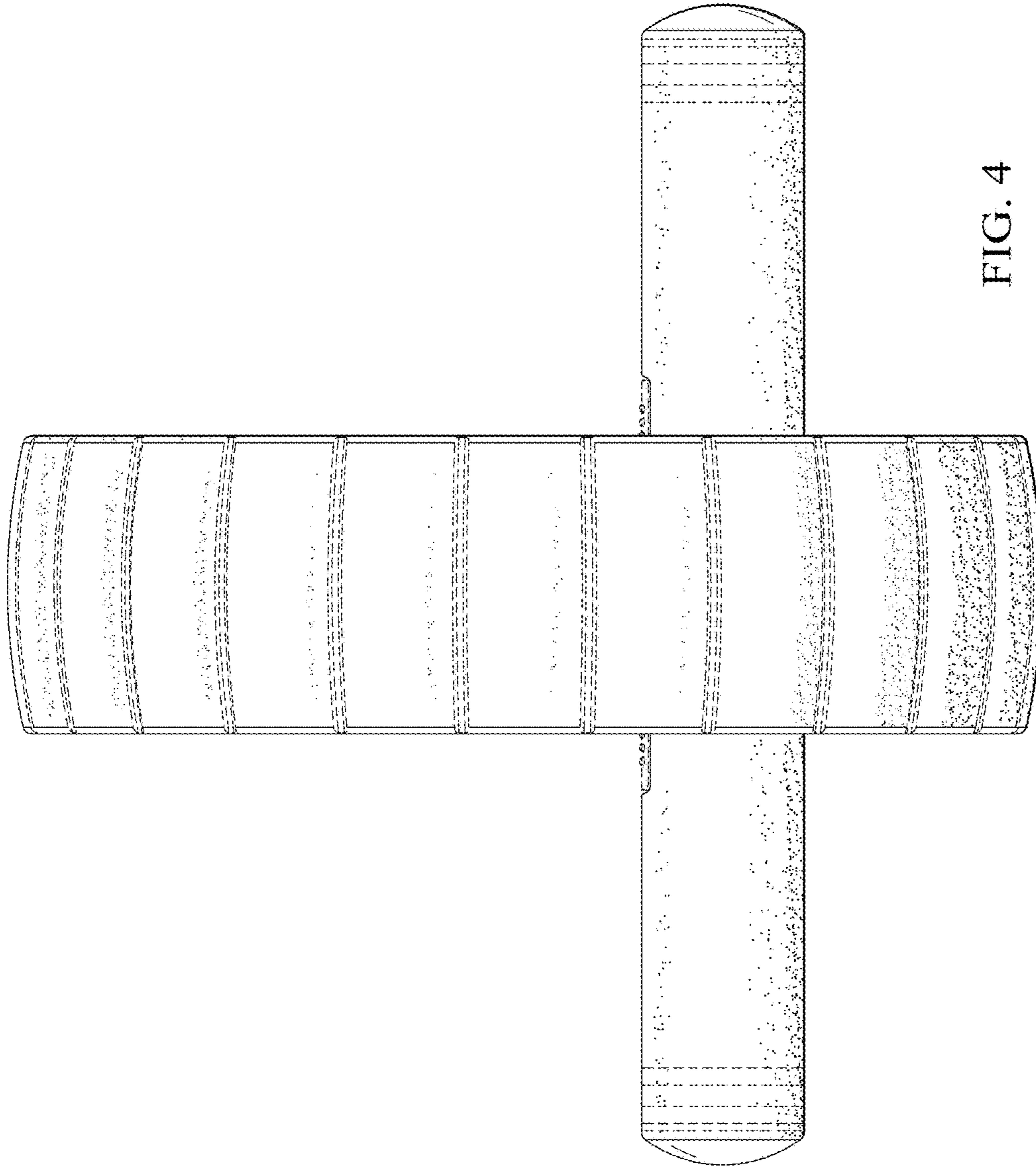


FIG. 4

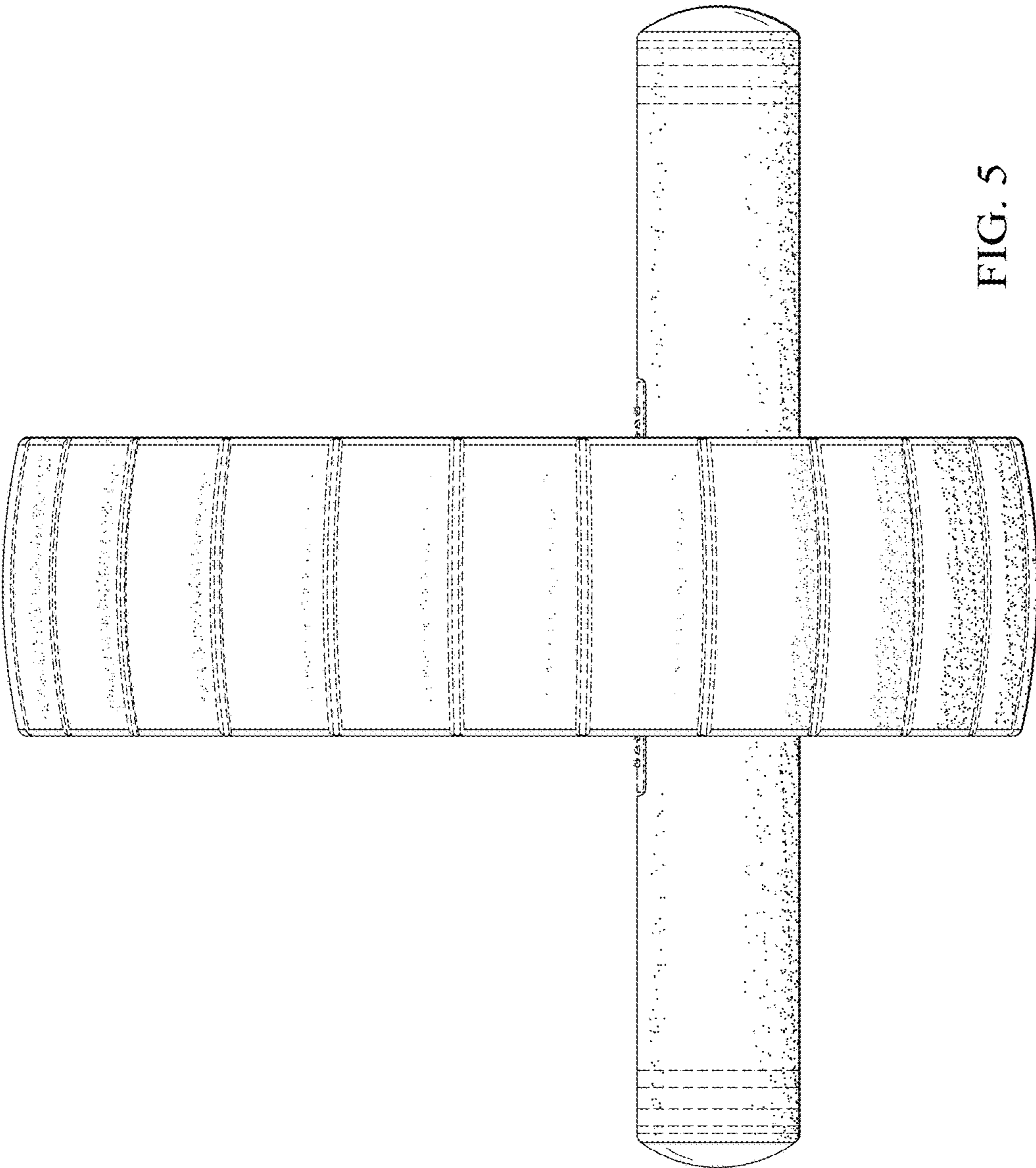


FIG. 5

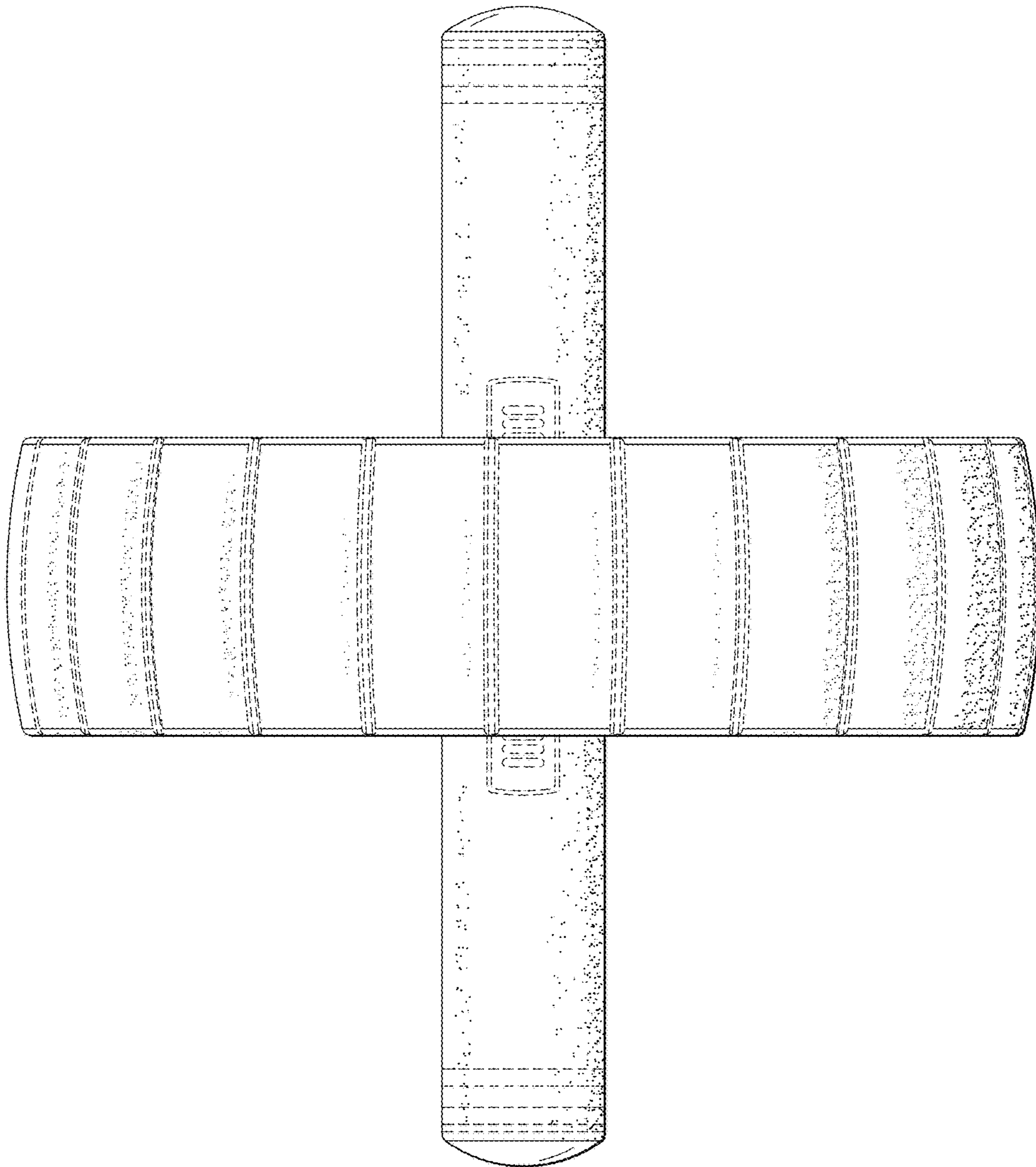


FIG. 6

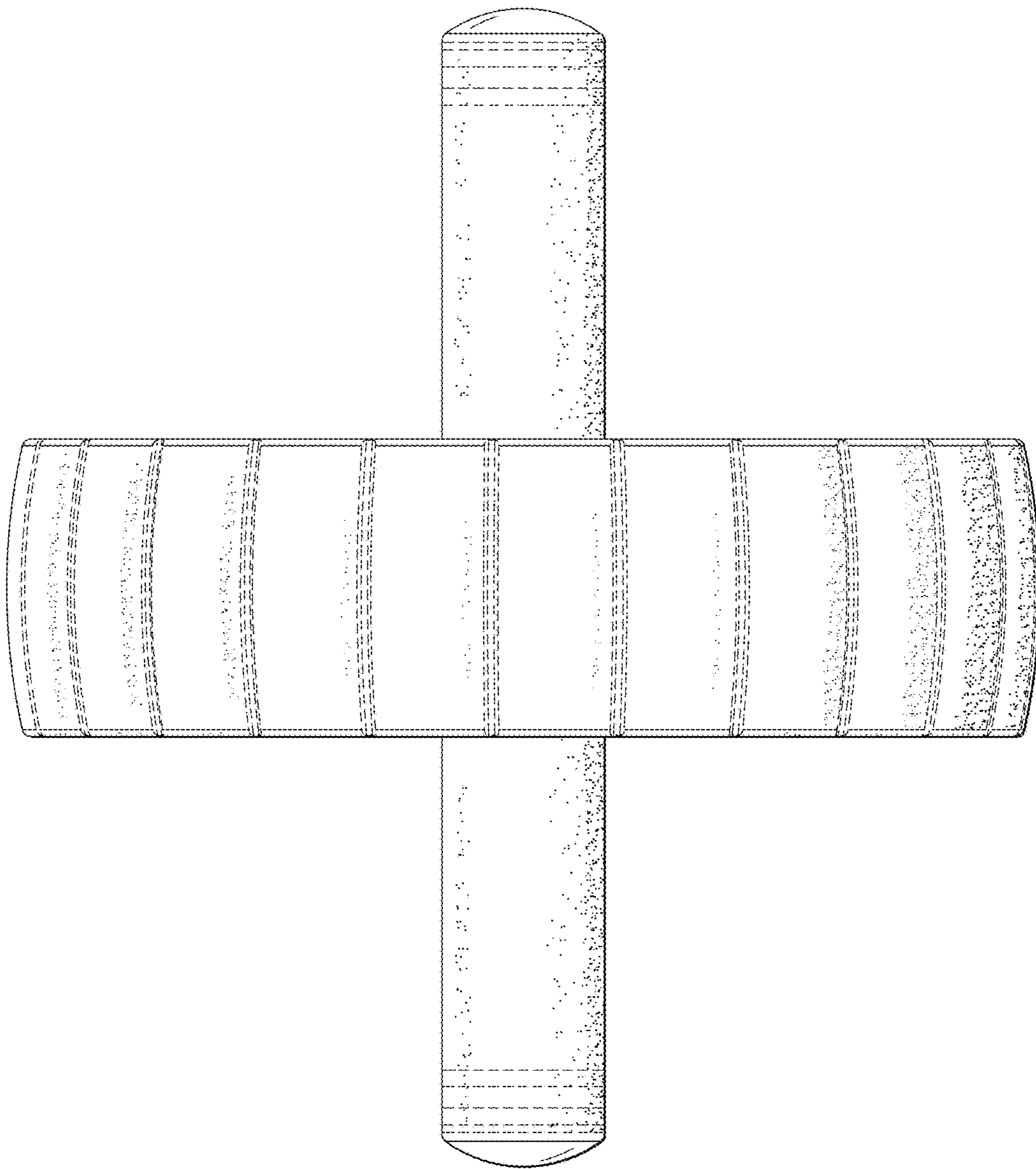


FIG. 7