



US00D818543S

(12) **United States Design Patent**
Zanger et al.

(10) **Patent No.:** **US D818,543 S**
(45) **Date of Patent:** **** May 22, 2018**

(54) **DEVELOPMENTAL ACTIVITY GYM FOR BABIES**

(71) Applicant: **Global Marketing Enterprise (GME) Ltd.**, Tel Aviv (IL)

(72) Inventors: **Israel Zanger**, Tel Aviv (IL); **Zafrira Weisman**, Tel Aviv (IL)

(**) Term: **15 Years**

(21) Appl. No.: **29/597,832**

(22) Filed: **Mar. 21, 2017**

(51) **LOC (11) Cl.** **21-01**

(52) **U.S. Cl.**
USPC **D21/475**

(58) **Field of Classification Search**

USPC D21/398, 41, 419, 465, 468, 474, 475, D21/476; D6/329, 333, 334, 335, 344, D6/348, 374, 391, 715, 716, 716.1; 297/440.22, 440.24; 446/227; 5/1, 93.1, 5/93.2

CPC A47D 13/107; A47D 1/002; A47D 7/002; A47D 5/006; A47D 13/061

See application file for complete search history.

(56) **References Cited**

U.S. PATENT DOCUMENTS

4,377,011	A *	3/1983	Kinberger	A47D 9/005
					5/102
5,411,315	A *	5/1995	Greenwood	A47D 13/107
					297/440.11
D408,192	S *	4/1999	Chiang	5/655
D467,626	S *	12/2002	Ben-Arush	D21/475
7,011,372	B1 *	3/2006	Hsieh	A47C 4/02
					297/16.1
7,070,188	B2 *	7/2006	Waldman	A47D 9/00
					280/31
D532,239	S *	11/2006	Oren	D6/596
D547,993	S *	8/2007	Oren	D6/582

(Continued)

OTHER PUBLICATIONS

Amazon, "Skip Hop Explore-and-More Amazing Arch Activity Gym", Mar. 24, 2017. https://www.amazon.com/Skip-Hop-Explore-Amazing-Activity/dp/B00WANGKM2/ref=cm_cr_ar_p_d_product_top?ie=UTF8. Shown on p. 1. (Year: 2017).*

Primary Examiner — Cynthia Ramirez

Assistant Examiner — Michael A Maharajh

(74) *Attorney, Agent, or Firm* — 1st-Tech-Ideas-Haim Factor

(57) **CLAIM**

The ornamental design for a developmental activity gym for babies, as shown and described.

DESCRIPTION

FIG. 1 is a front perspective view of a developmental activity gym for babies in the first position, showing our new design;

FIG. 2 is a right side view thereof;

FIG. 3 is a left side view thereof;

FIG. 4 is a front view thereof;

FIG. 5 is a back view thereof;

FIG. 6 is a top view thereof;

FIG. 7 is a bottom view thereof;

FIG. 8 is a perspective view thereof;

FIG. 9 is a front perspective view in the second position thereof;

FIG. 10 is a right side view thereof;

FIG. 11 is a left side view thereof;

FIG. 12 is a front view thereof;

FIG. 13 is a back view thereof;

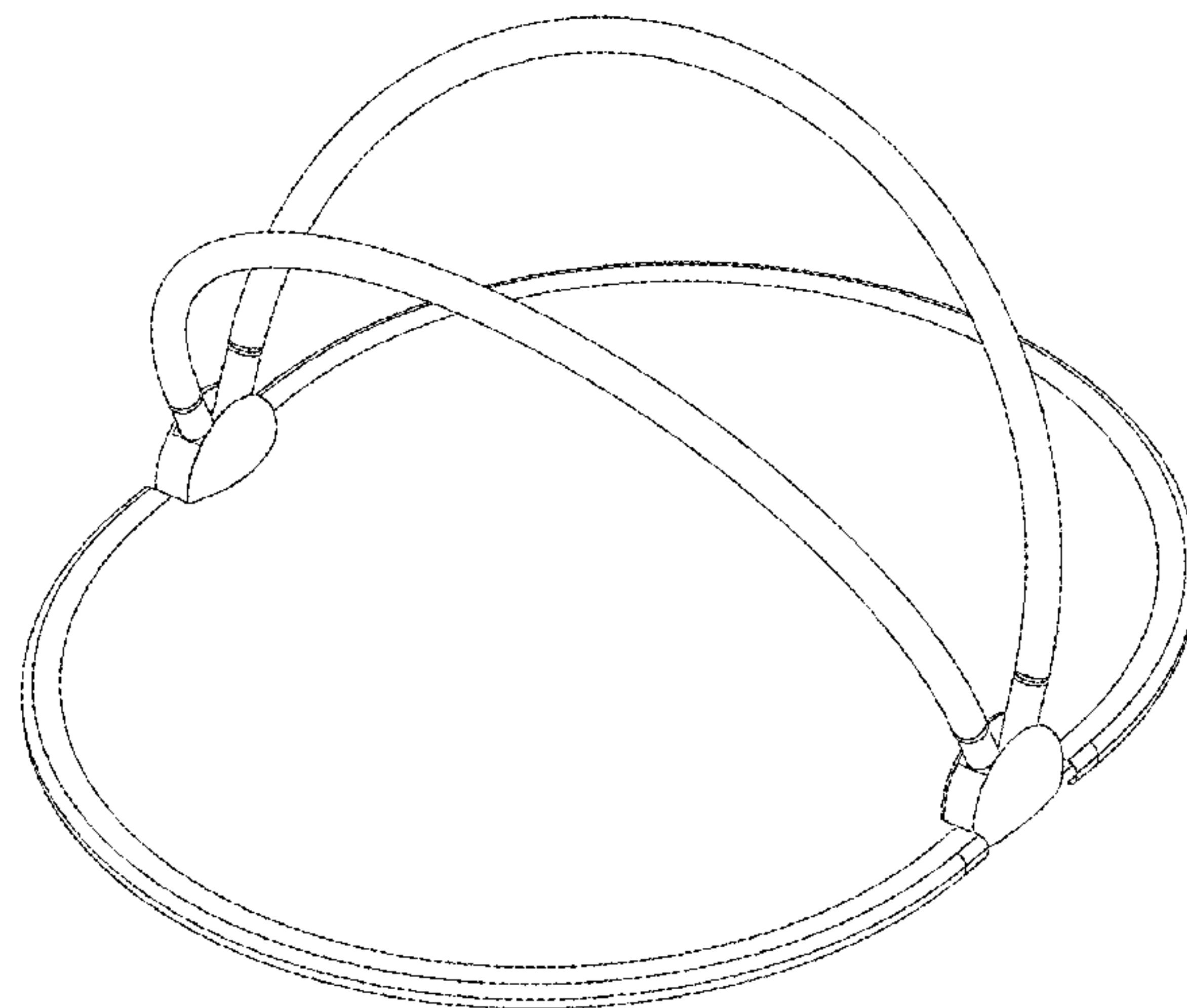
FIG. 14 is a top view thereof;

FIG. 15 is a bottom view thereof; and,

FIG. 16 is a front perspective view thereof.

The broken lines are included for the purpose of illustrating the portions of the developmental gym for babies that form no part of the claimed design.

1 Claim, 16 Drawing Sheets



(56)

References Cited

U.S. PATENT DOCUMENTS

7,302,724 B2 * 12/2007 Solomon A47D 15/003
5/417
D604,055 S * 11/2009 Plested D6/333
D637,827 S * 5/2011 Horn D6/344
8,079,639 B2 * 12/2011 Zeng A47D 13/107
297/131
D698,560 S * 2/2014 Chen D6/344
9,011,196 B2 * 4/2015 Weisman A63H 33/006
446/227
D737,061 S * 8/2015 Daley D6/344
D737,063 S * 8/2015 Lin D6/344
9,155,974 B2 * 10/2015 Fair A63H 33/006
D742,125 S * 11/2015 Mountz D6/348
D751,305 S * 3/2016 Robbins D6/333
D772,625 S * 11/2016 Roberts D6/344
D804,200 S * 12/2017 Ka Hung D6/333
2004/0266312 A1 * 12/2004 Oren A45D 42/16
446/227
2012/0216346 A1 * 8/2012 Rampton A47D 13/063
5/99.1
2013/0244533 A1 * 9/2013 Elson A63H 33/006
446/227
2014/0273719 A1 * 9/2014 Weisman A63H 33/006
446/227
2014/0366276 A1 * 12/2014 Chang A47D 13/107
5/655
2015/0157138 A1 * 6/2015 Pacella A47D 5/006
5/655
2016/0058201 A1 * 3/2016 Pavkov A47D 13/107
297/440.22
2016/0374481 A1 * 12/2016 Sclare A47D 9/02
5/93.2
2017/0065100 A1 * 3/2017 Lange A47D 13/063

* cited by examiner

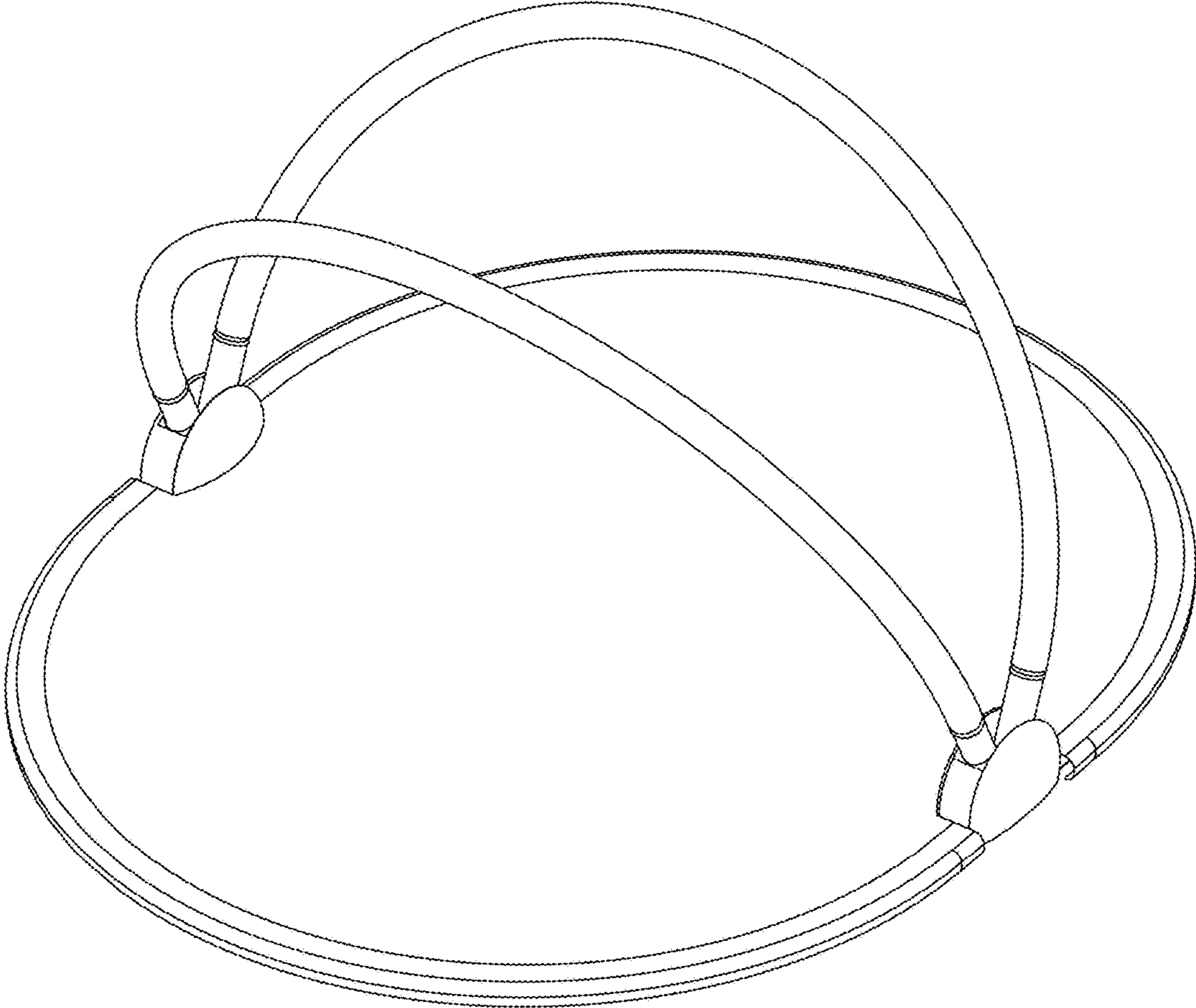


Fig. 1

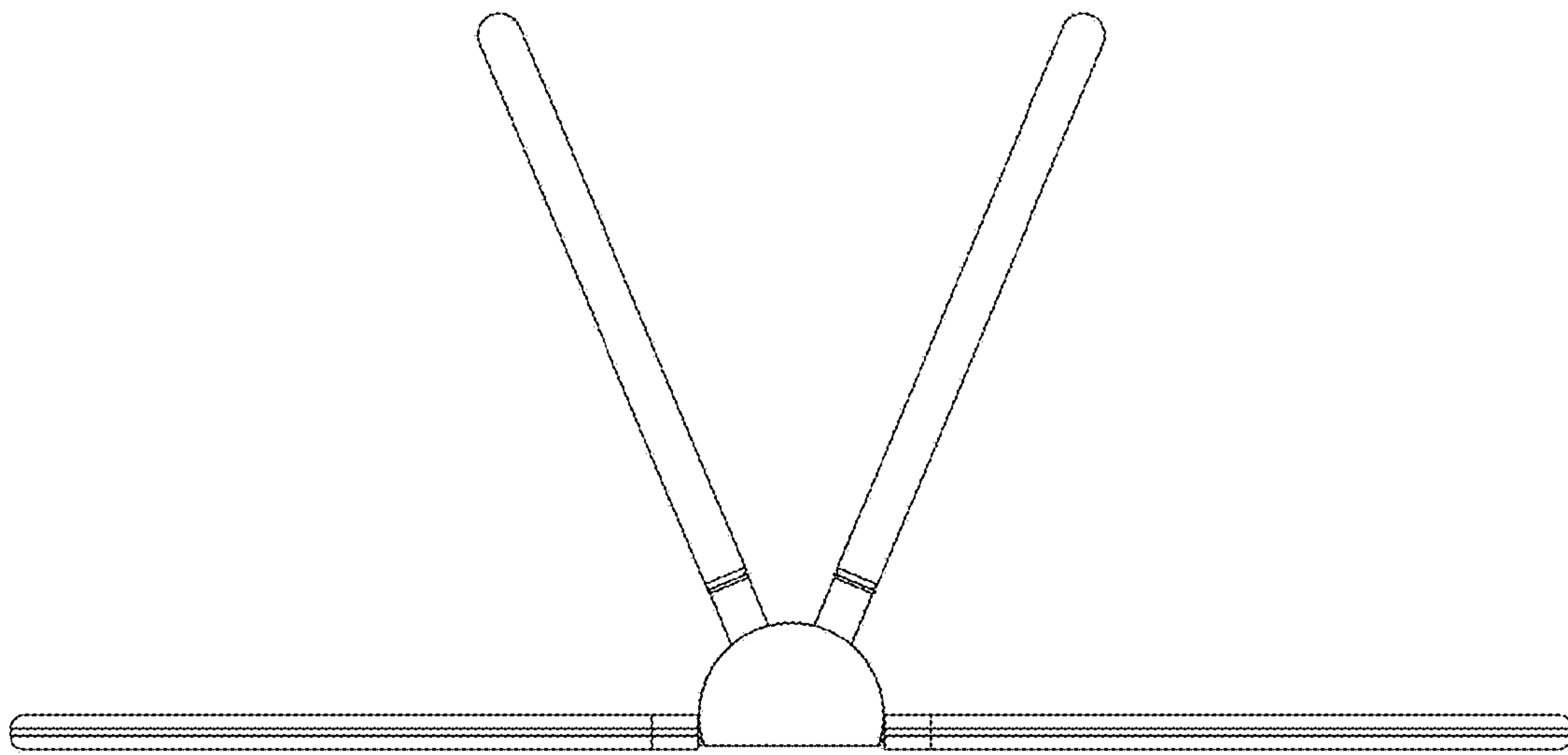


Fig. 2

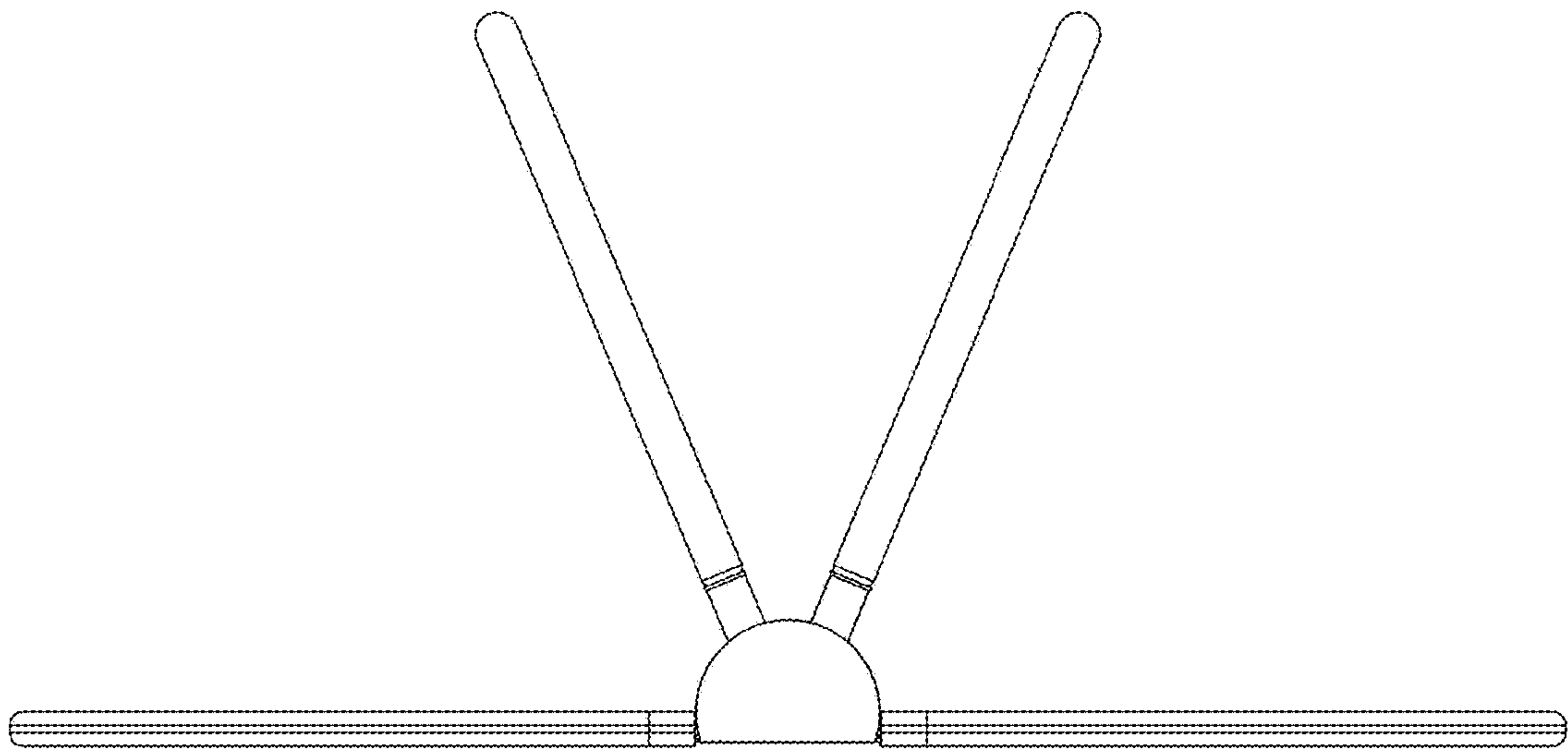


Fig. 3

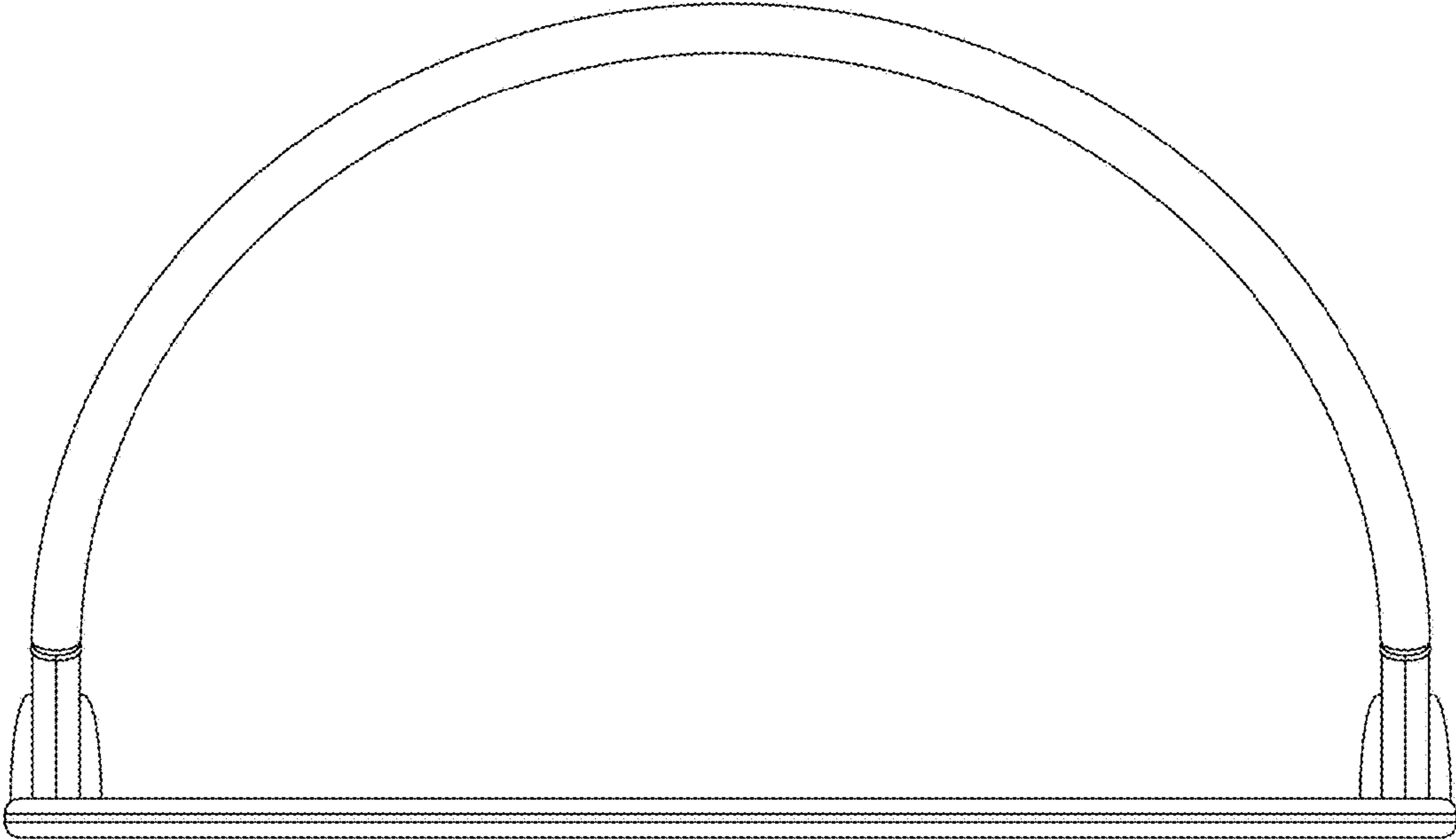


Fig. 4

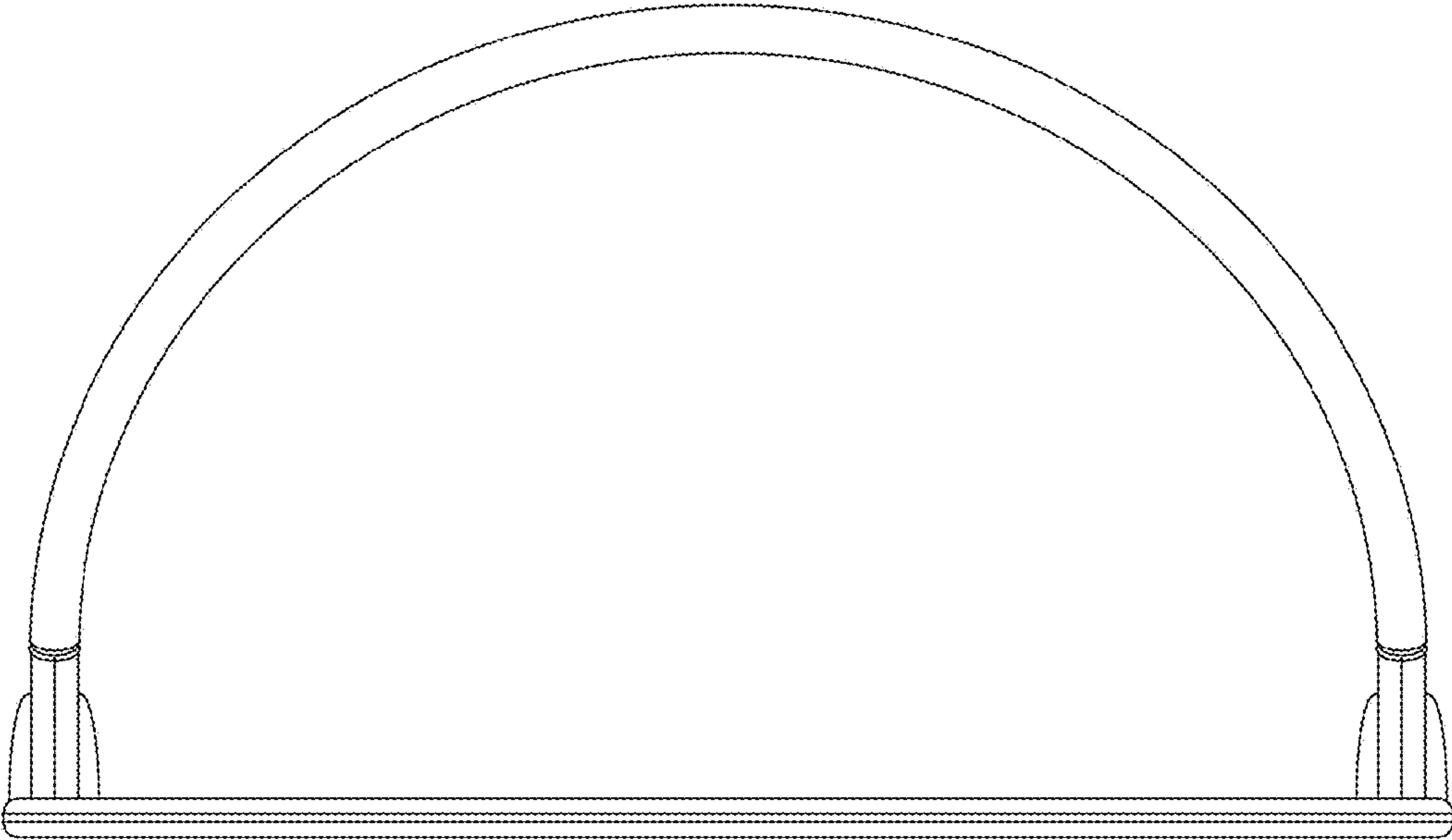


Fig. 5

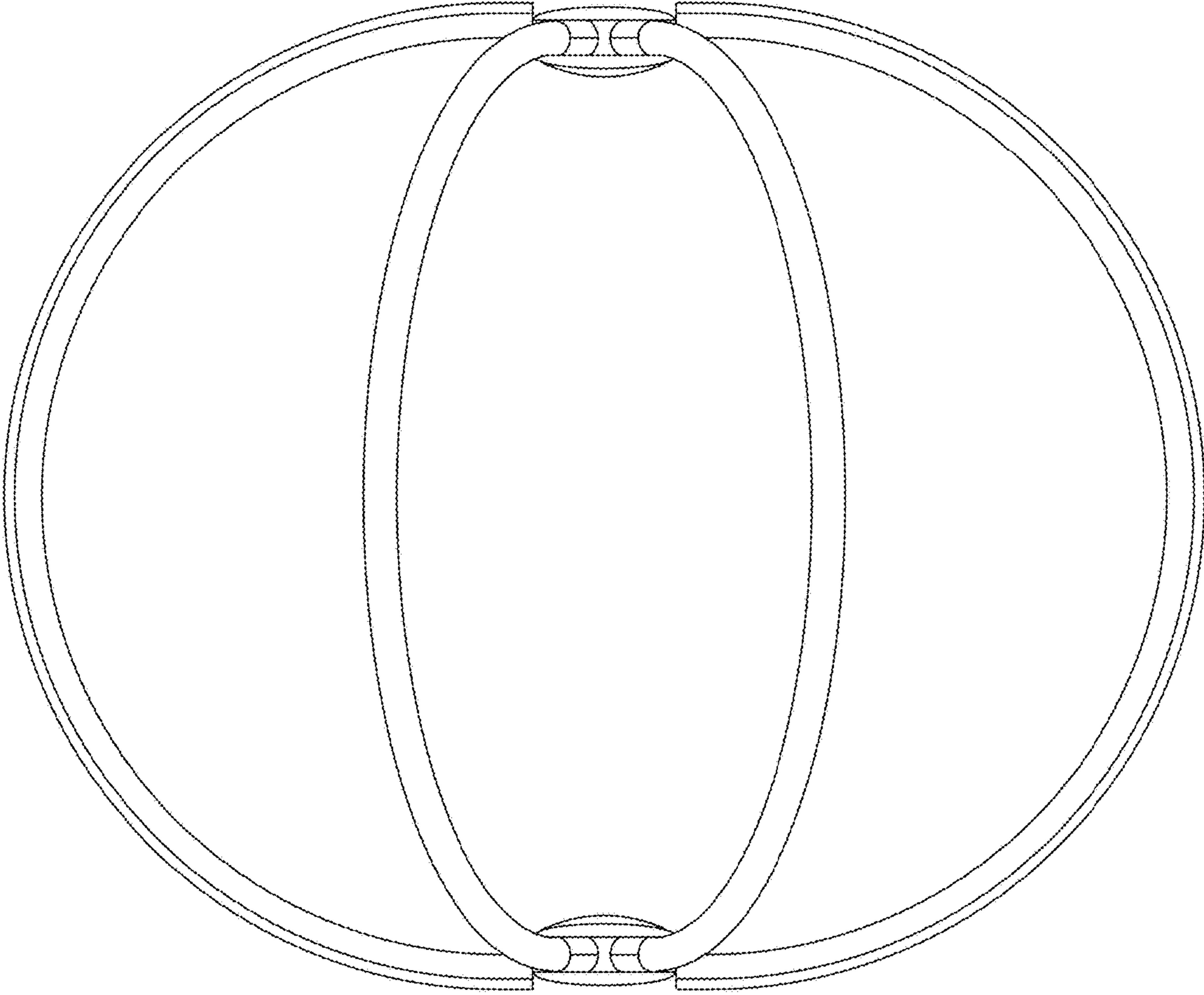


Fig. 6

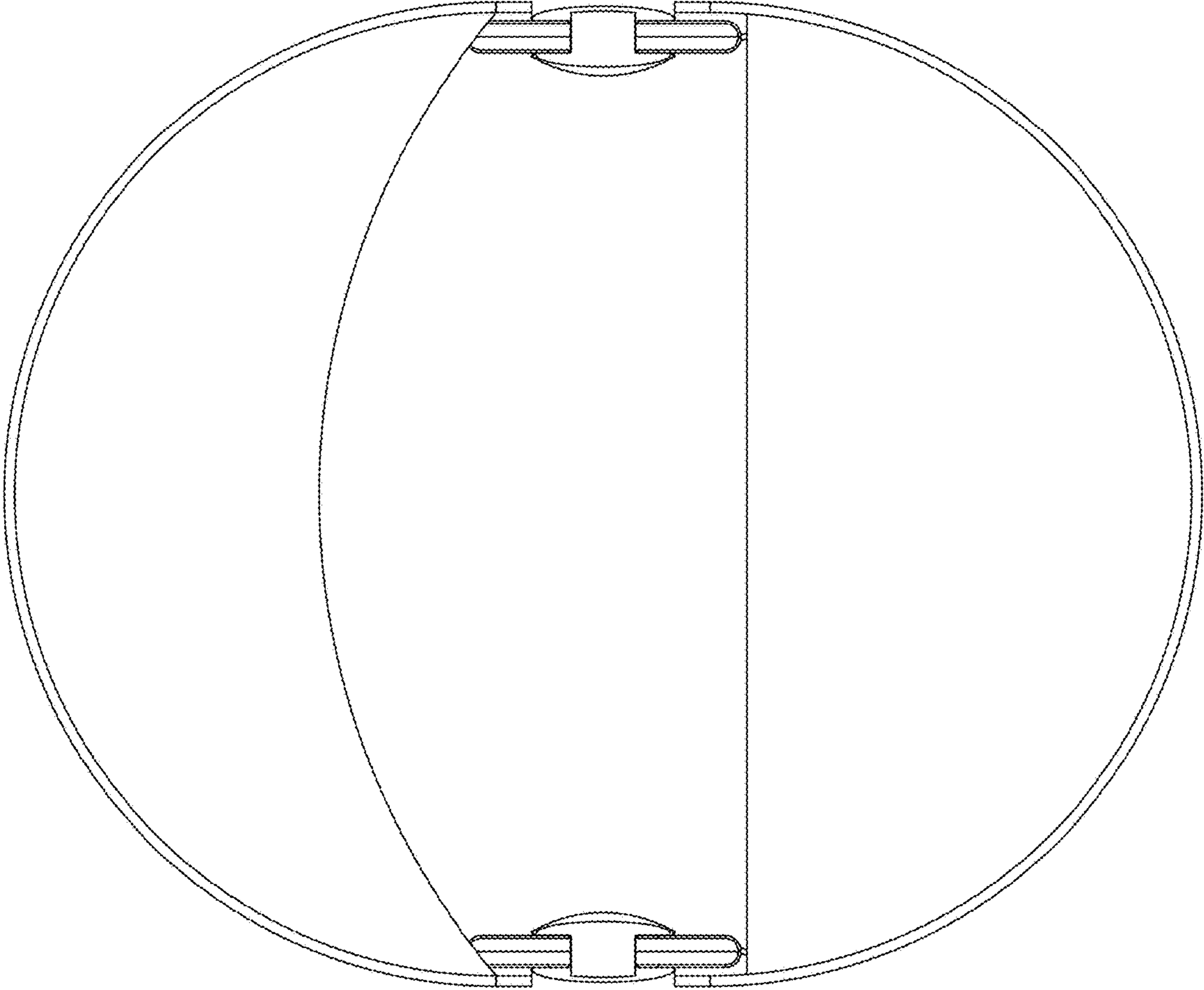


Fig. 7

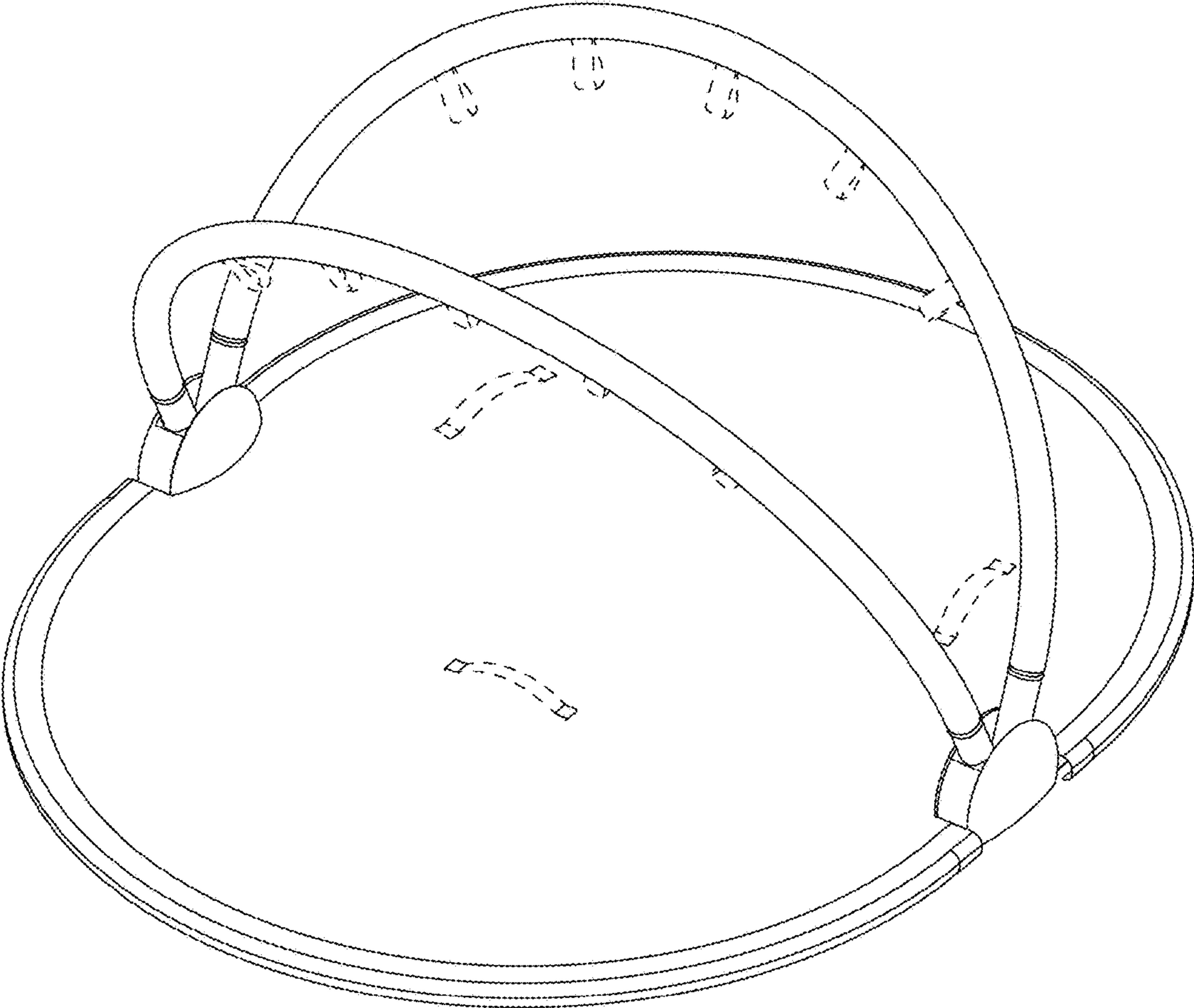


Fig. 8

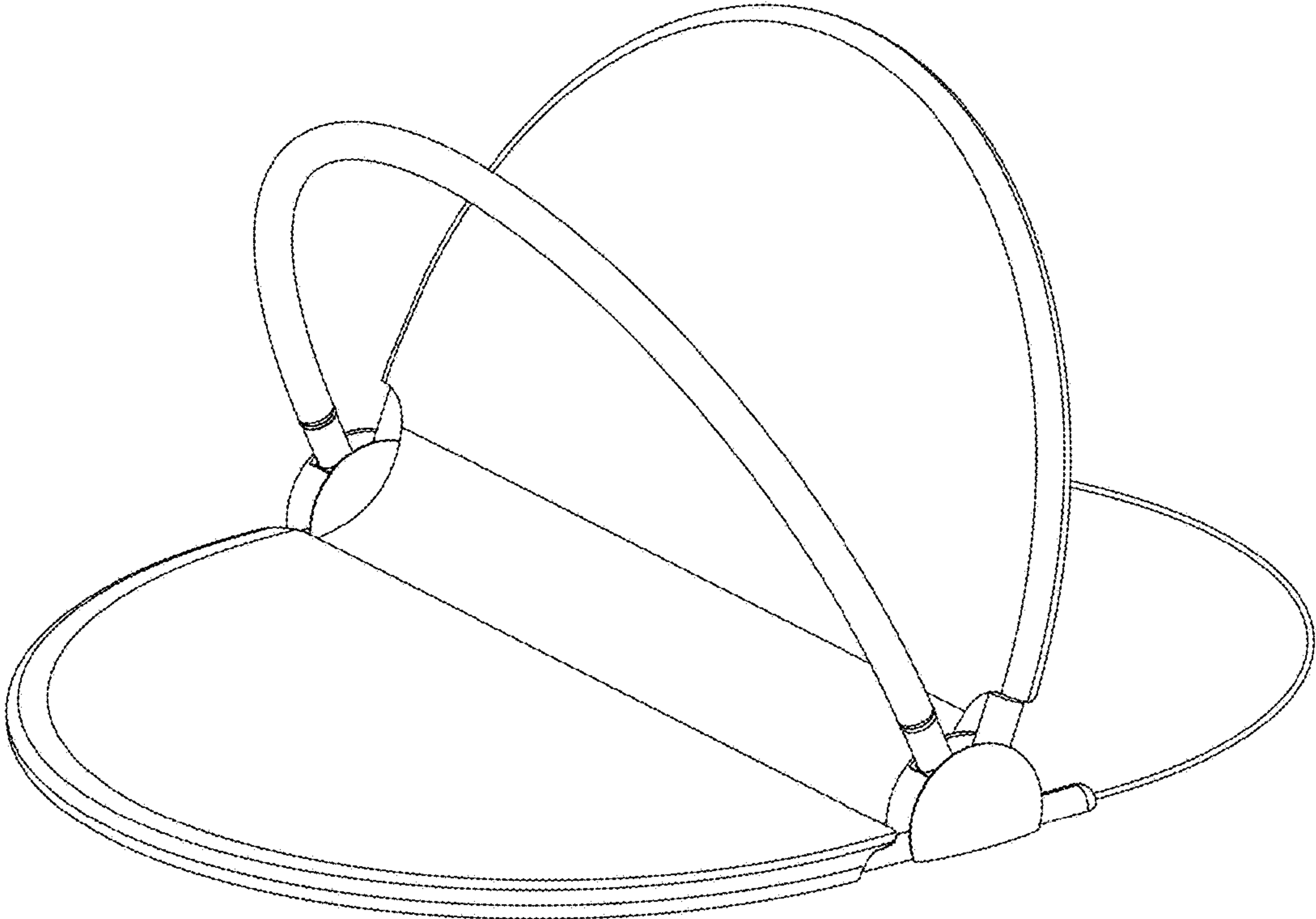


Fig. 9

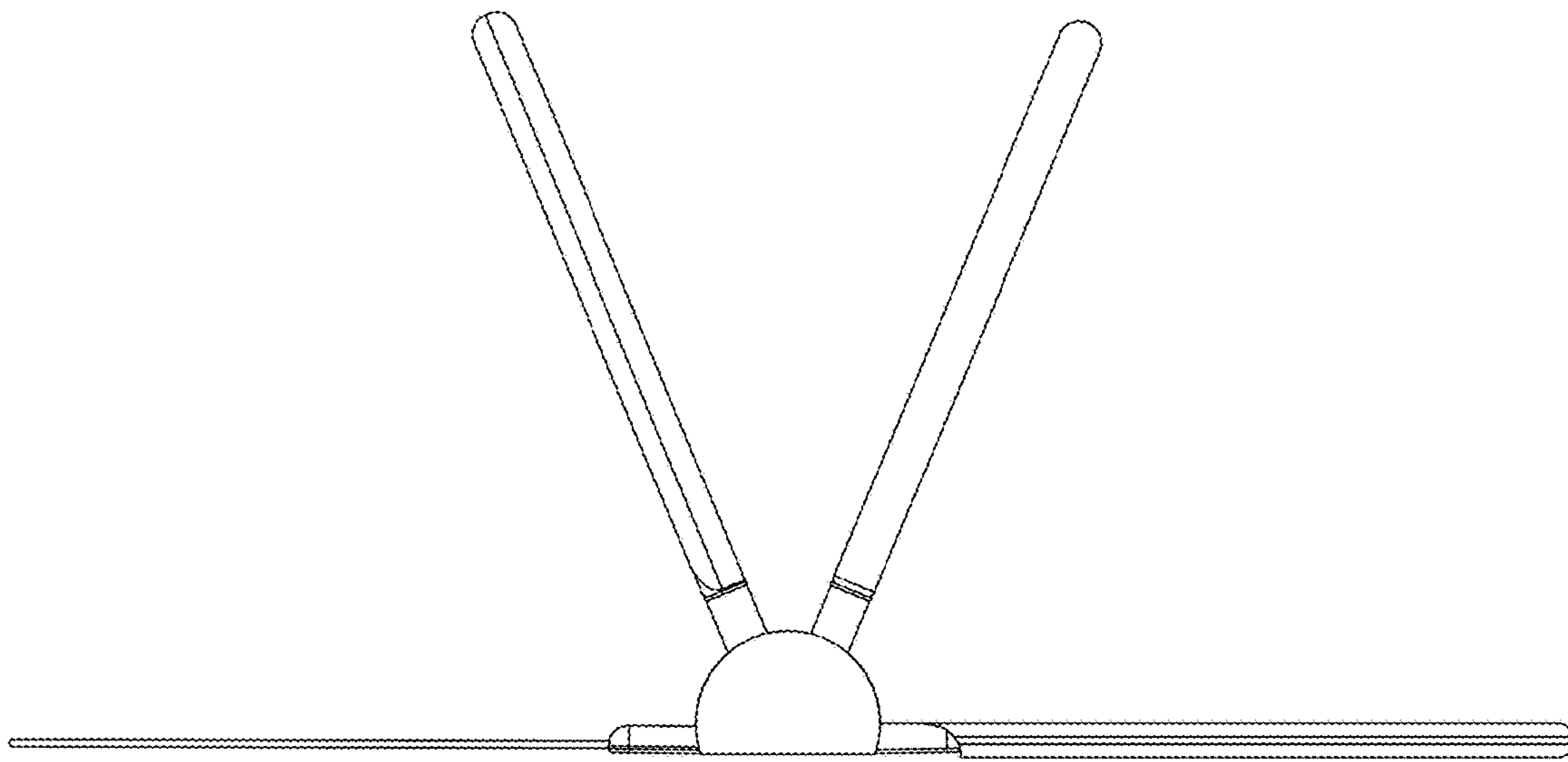


Fig. 10

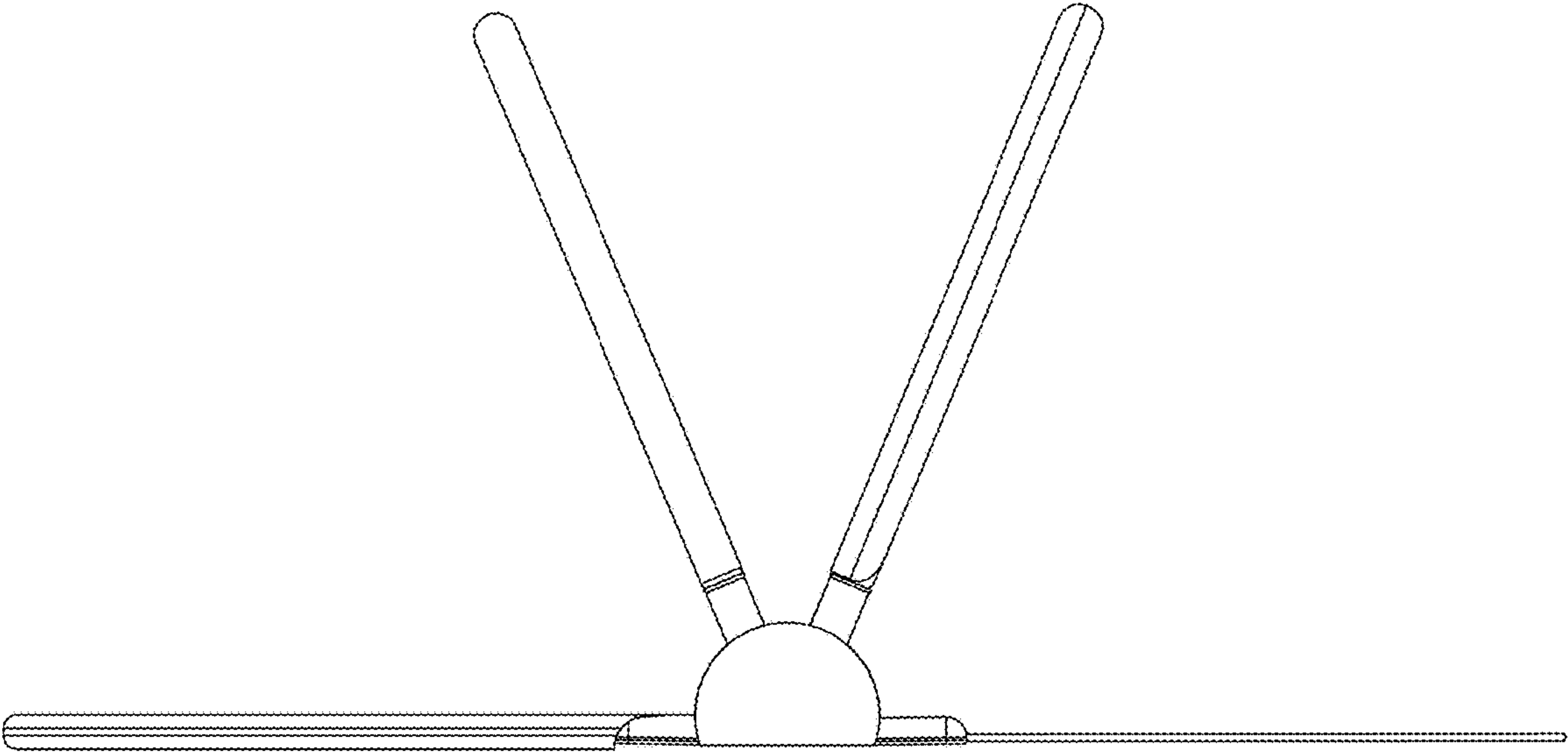


Fig. 11

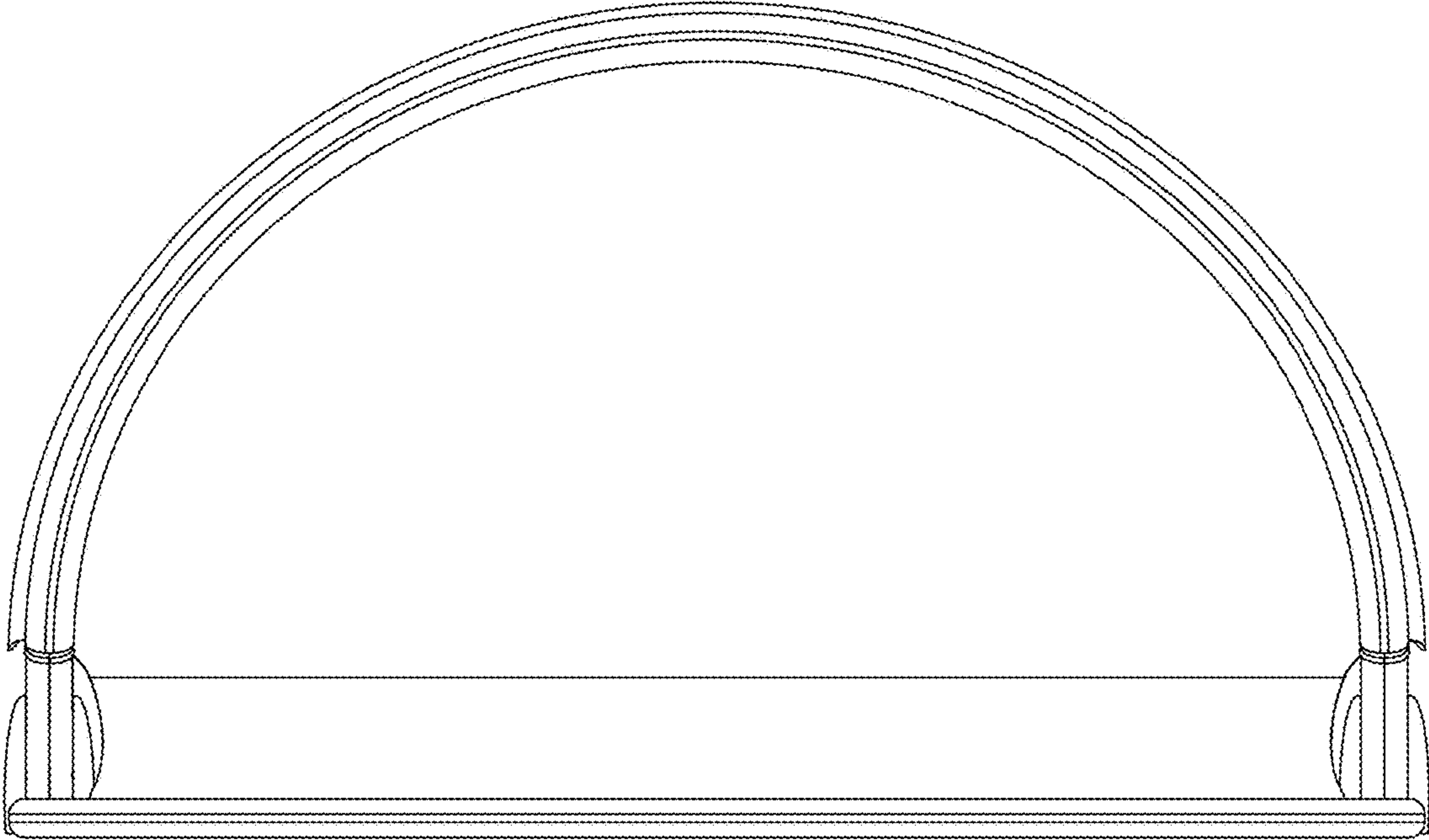


Fig. 12

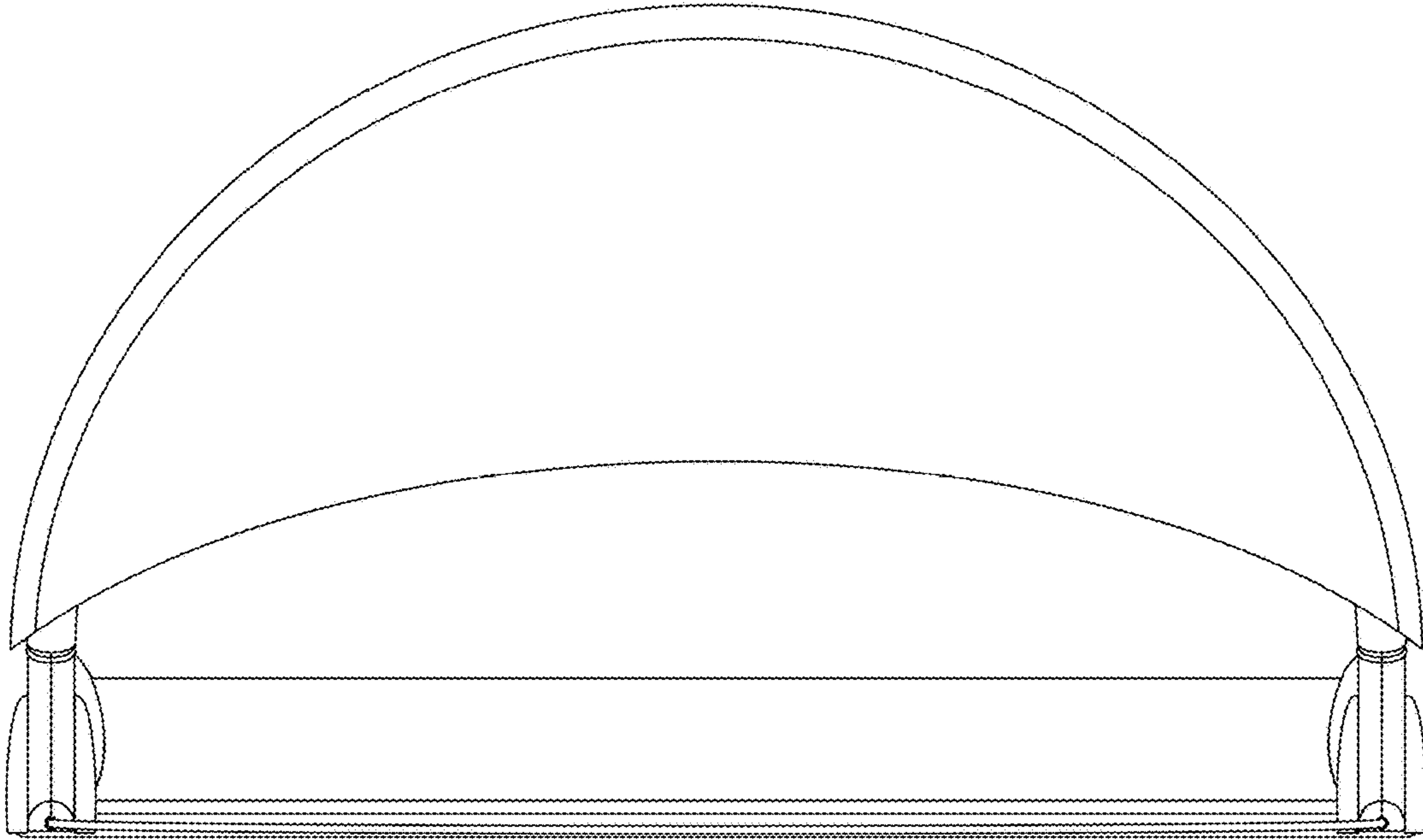


Fig. 13

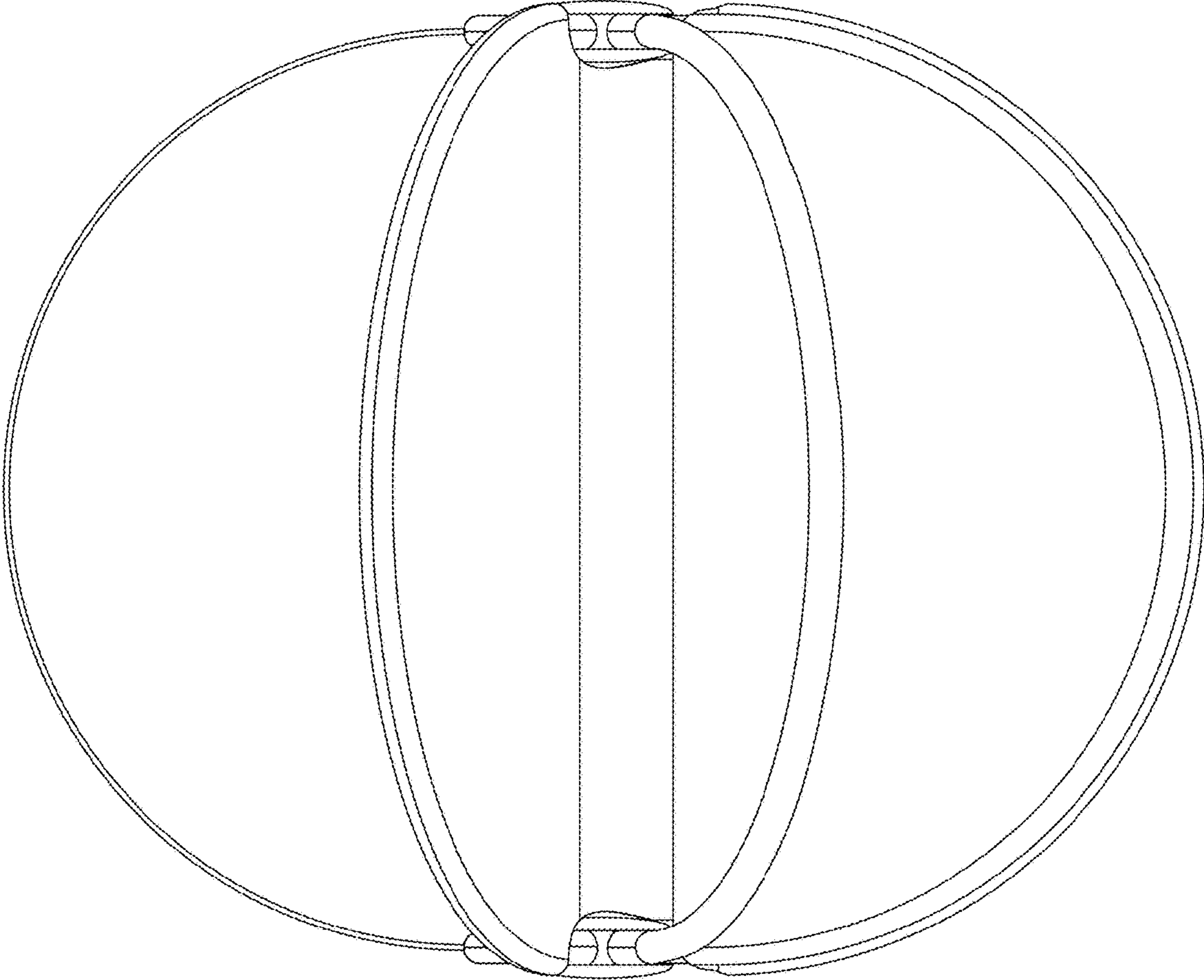


Fig. 14

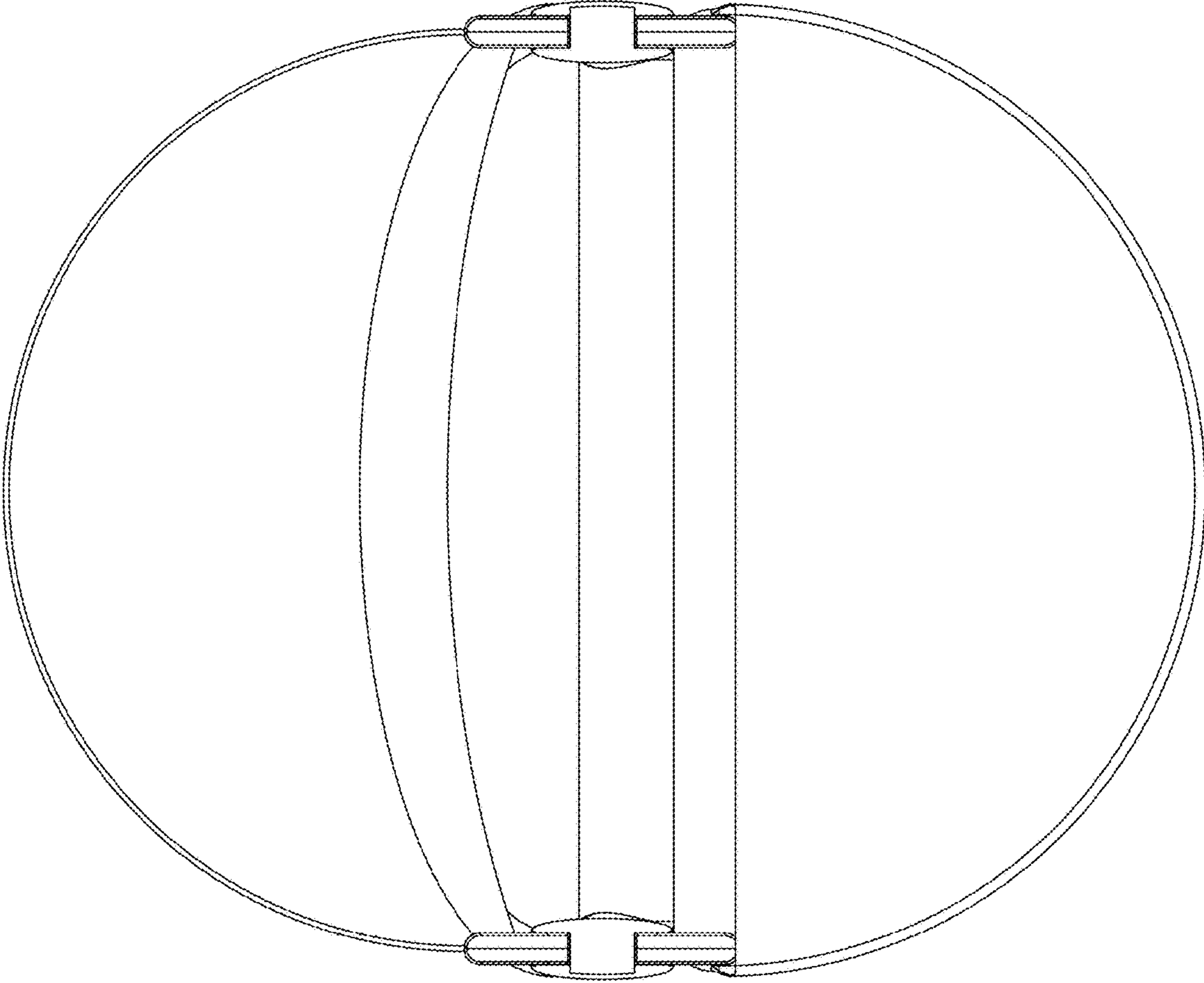


Fig. 15

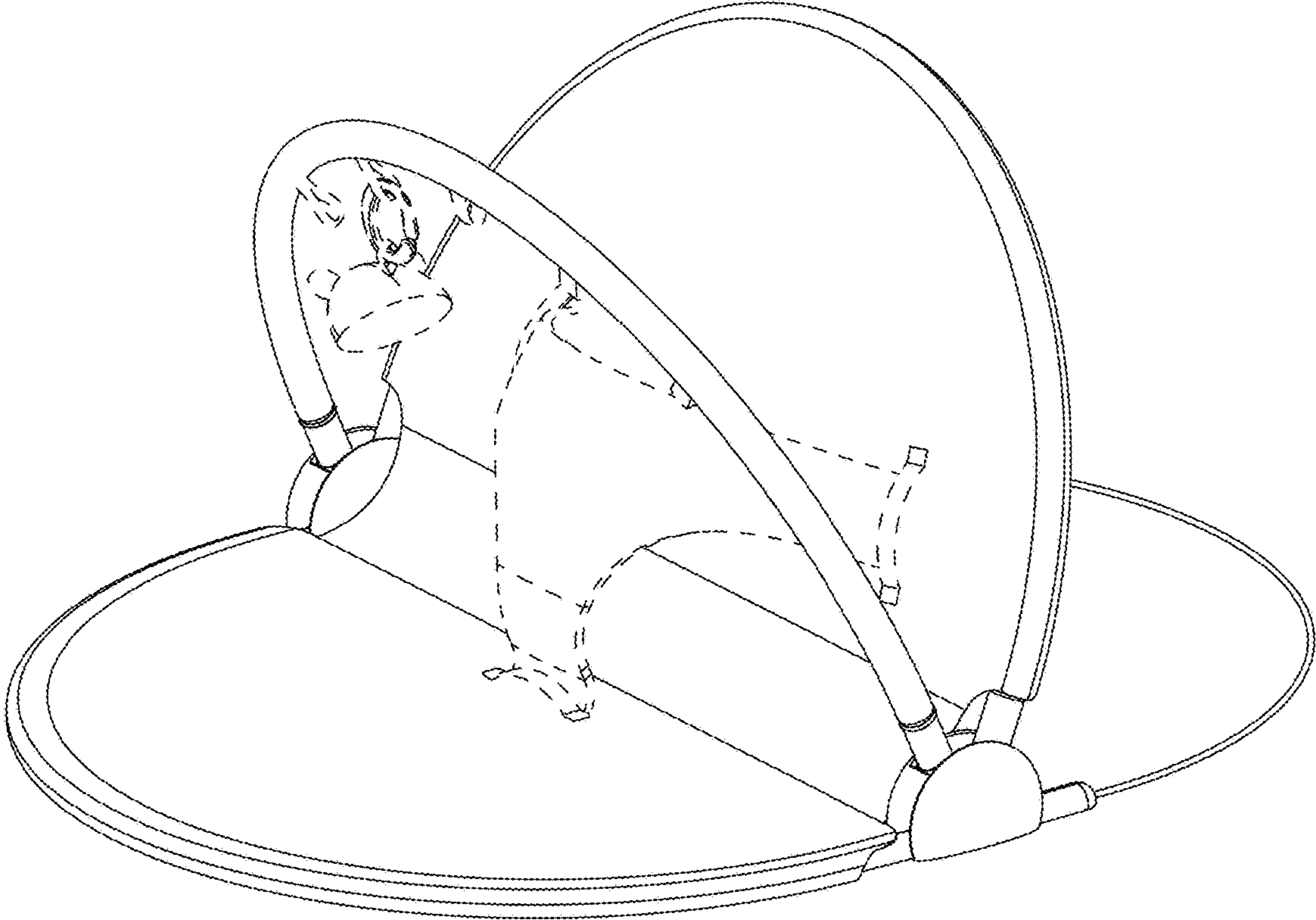


Fig. 16