



US00D818542S

(12) **United States Design Patent**
Langberg et al.

(10) **Patent No.:** **US D818,542 S**

(45) **Date of Patent:** **** May 22, 2018**

- (54) **ROTARY FLYING TOY**
- (71) Applicants: **Eric Langberg**, Milford, PA (US);
Lana Rascionato, Totowa, NJ (US)
- (72) Inventors: **Eric Langberg**, Milford, PA (US);
Lana Rascionato, Totowa, NJ (US)
- (73) Assignee: **IdeaVillage Products Corporation**,
Wayne, NJ (US)

- D562,411 S * 2/2008 Jones D21/387
- D599,412 S * 9/2009 Sandman D21/301
- D622,325 S * 8/2010 Walterscheid D21/387
- D627,010 S * 11/2010 Routzong D21/452
- 7,874,947 B1 * 1/2011 Wolfinbarger A63H 33/18
473/578
- 8,348,789 B1 * 1/2013 Walterscheid F42B 6/003
473/578
- D679,340 S * 4/2013 Genovese D12/16.1
- D692,504 S * 10/2013 Williams D21/387
- D698,872 S * 2/2014 Cummings D21/387
- D724,675 S * 3/2015 Goitein D21/453
- 9,310,171 B2 * 4/2016 Cummings F42B 6/02

(**) Term: **15 Years**

(Continued)

(21) Appl. No.: **29/505,827**

(22) Filed: **Feb. 29, 2016**

(51) **LOC (11) Cl.** **21-01**

(52) **U.S. Cl.**
USPC **D21/436; D21/455**

(58) **Field of Classification Search**
USPC D12/16.1, 305, 319, 326, 327, 328, 329,
D12/339, 344, 345, 214; D21/436, 441,
D21/442, 450, 453, 454, 301, 570;
D23/370, 371, 411

CPC B64C 1/069; B64C 1/06; B64C 27/32
See application file for complete search history.

(56) **References Cited**

U.S. PATENT DOCUMENTS

- 2,611,999 A * 9/1952 Mikolay F24B 8/22
446/400
- 6,220,918 B1 * 4/2001 Laronge A63B 65/00
244/3.24
- 6,669,587 B2 * 12/2003 Kessler A63B 43/002
473/570
- 7,037,164 B2 * 5/2006 Silverglate A63H 27/14
124/16
- 7,052,357 B2 * 5/2006 Silverglate A63H 23/12
446/153
- D522,590 S * 6/2006 Wood D21/387
- 7,228,802 B2 * 6/2007 Montefusco F42B 8/16
102/501

OTHER PUBLICATIONS

Rocket Copters by As Seen on TV. dated Apr. 2016. found online on Amazon on [Sep. 22, 2017] https://www.amazon.com/Rocket-Copters-LED-Helicopters-As-Seen-TV/dp/B01C57GC66/ref=cm_cr_arp_d_product_top?ie=UTF8.*

Primary Examiner — Brandon M Rosati

Assistant Examiner — Marissa J Cash

(74) *Attorney, Agent, or Firm* — Dan DeLaRosa

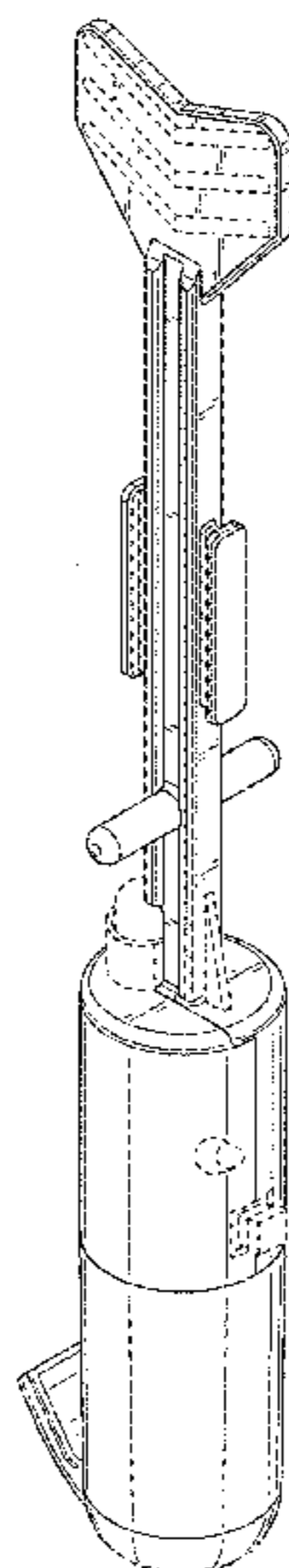
(57) **CLAIM**

The ornamental design for a rotary flying toy, as shown and described.

DESCRIPTION

FIG. 1 is a front perspective view of the rotary flying toy of the present invention showing my new design; FIG. 2 is front side elevational view thereof; FIG. 3 is a back side elevational view thereof; FIG. 4 is a side elevational view thereof; FIG. 5 is another side elevational view thereof; FIG. 6 is a top plan view thereof; and, FIG. 7 is a bottom plan view thereof. In the drawings, the broken lines depict environmental subject matter only and form no part of the claimed design.

1 Claim, 5 Drawing Sheets



(56)

References Cited

U.S. PATENT DOCUMENTS

D759,164	S *	6/2016	Bei	D21/454
9,746,293	B2 *	8/2017	Cummings	F42B 6/06
2002/0098768	A1 *	7/2002	Kuo	A63H 27/12 446/39
2008/0125002	A1 *	5/2008	Goitein	A63H 27/00 446/57
2009/0229921	A1 *	9/2009	Sink	A63H 27/02 185/39
2014/0256479	A1 *	9/2014	Bynum, Jr.	F42B 6/08 473/470
2014/0338647	A1 *	11/2014	Cummings	F41B 7/08 124/20.3
2015/0204634	A1 *	7/2015	Cummings	F41B 7/08 124/20.1

* cited by examiner

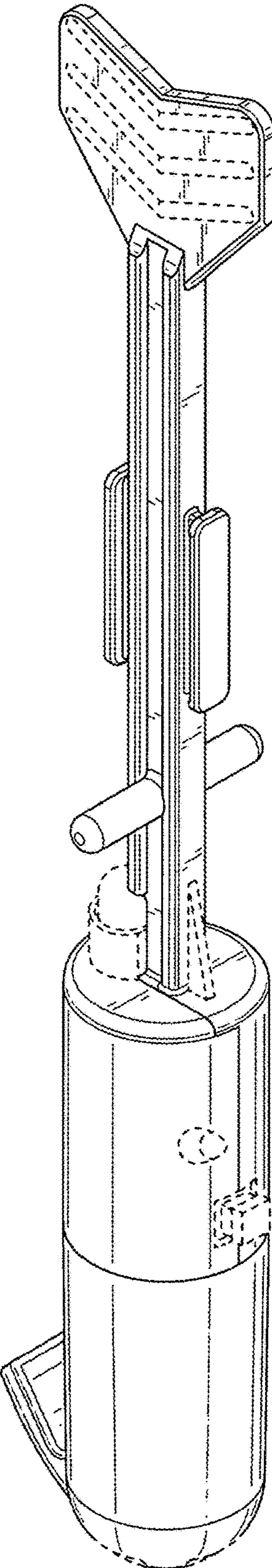


FIG. 1

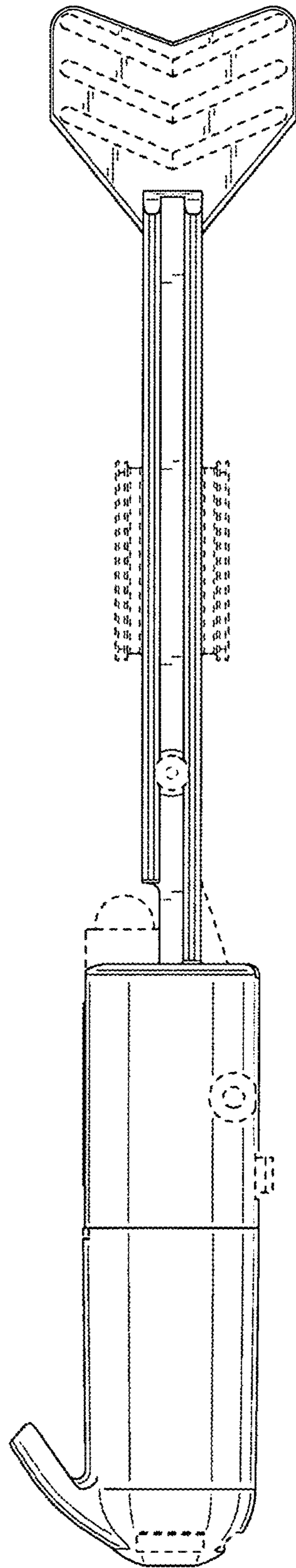


FIG. 2

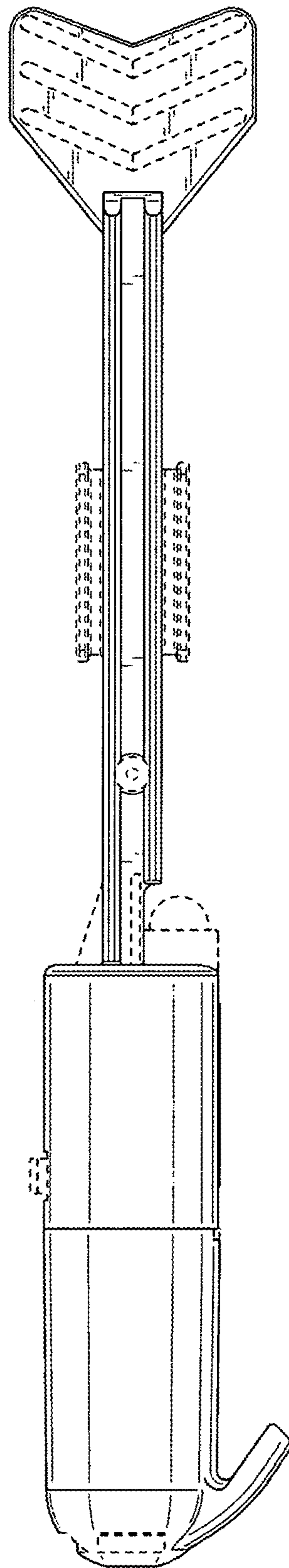


FIG. 3

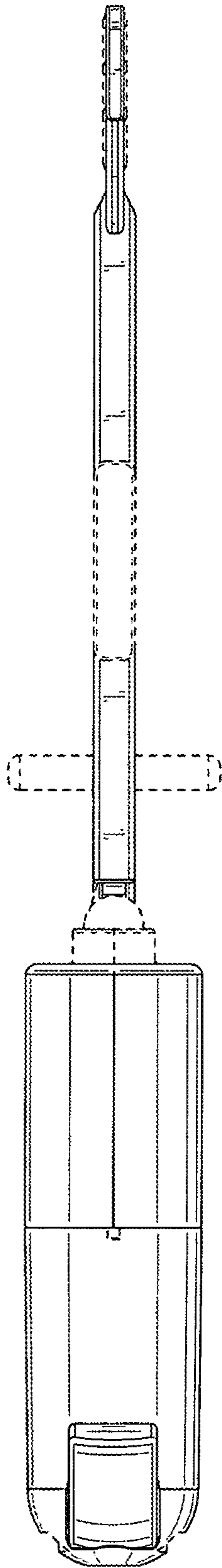


FIG. 4

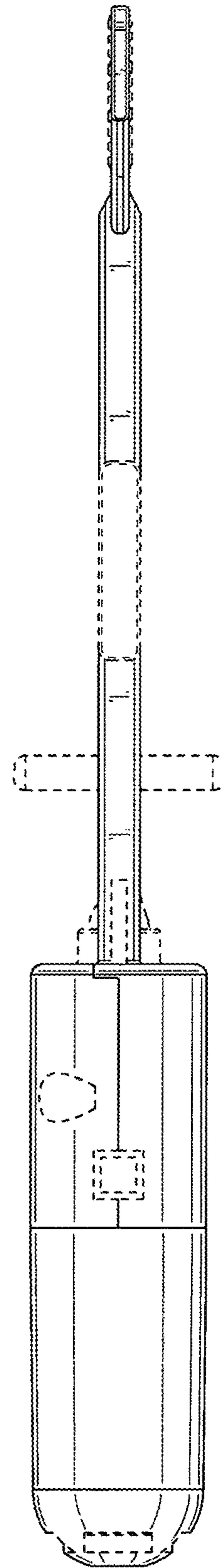


FIG. 5

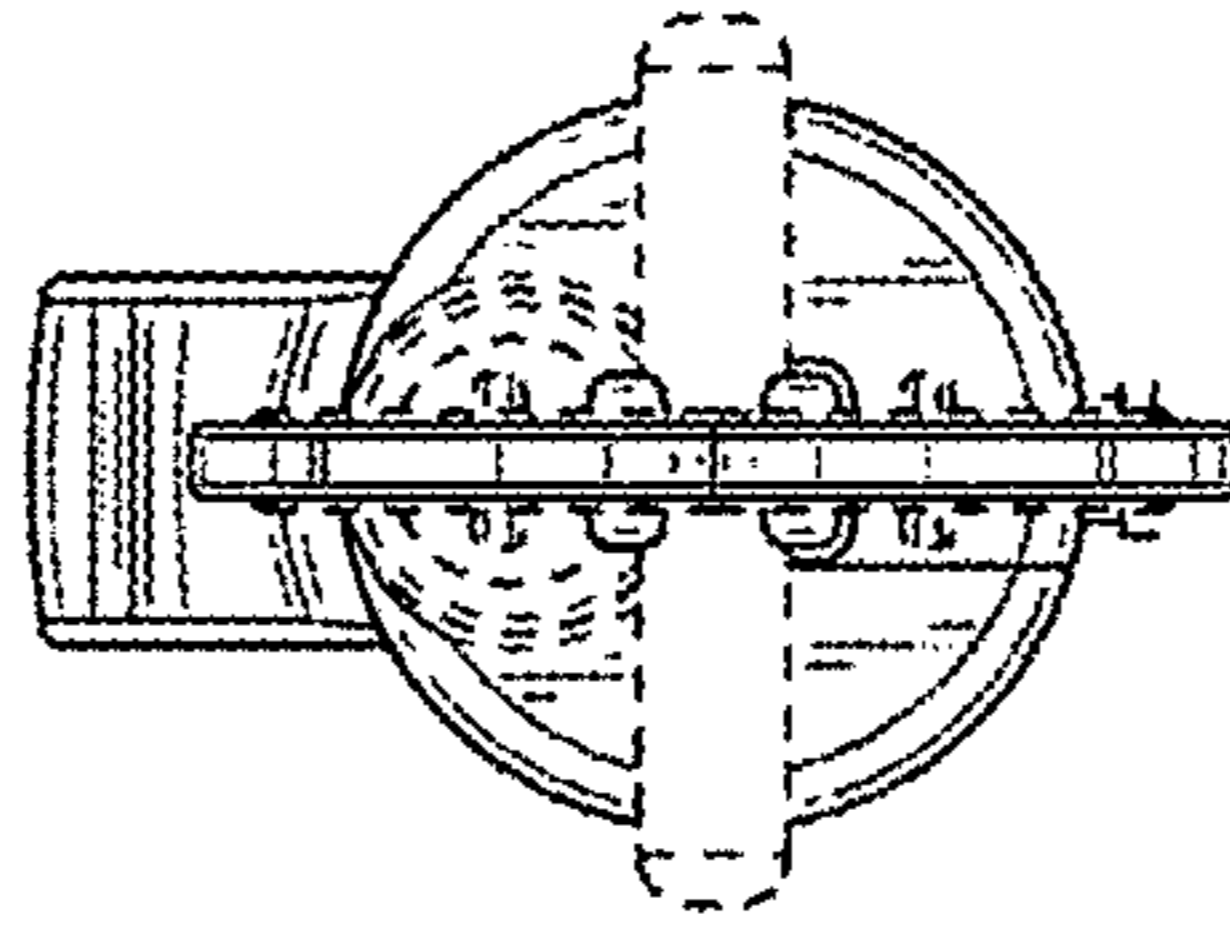


FIG. 6

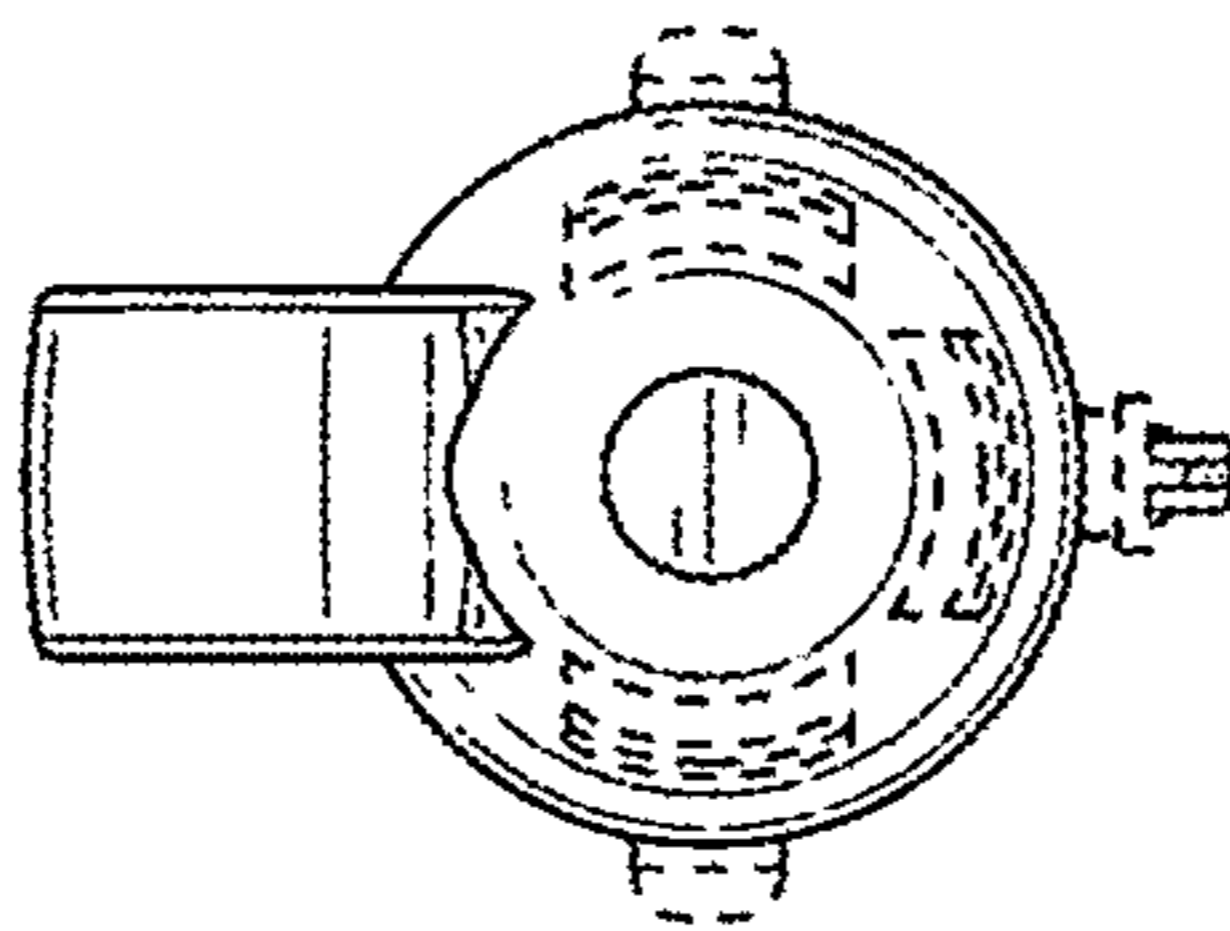


FIG. 7