



US00D818541S

(12) **United States Design Patent** (10) **Patent No.:** **US D818,541 S**  
**Huang** (45) **Date of Patent:** **\*\* May 22, 2018**

(54) **ELECTRIC SCOOTER** 6,378,880 B1 \* 4/2002 Lin ..... B62K 3/002  
280/87.05  
(71) Applicant: **RAZOR USA LLC**, Cerritos, CA (US) 6,386,330 B1 5/2002 Wei  
6,394,213 B1 5/2002 Tsai  
(72) Inventor: **Joey Chih-Wei Huang**, Temple City, CA (US) D459,761 S 7/2002 Chen  
6,416,060 B1 7/2002 Chen  
6,462,493 B2 10/2002 Lan  
D471,597 S 3/2003 Chen  
(73) Assignee: **RAZOR USA LLC**, Cerritos, CA (US) D471,598 S 3/2003 Chen  
D475,093 S 5/2003 Furter et al.  
6,619,416 B2 9/2003 Cheng et al.  
(\*\*) Term: **15 Years** (Continued)

(21) Appl. No.: **29/577,038**

(22) Filed: **Sep. 8, 2016**

(51) **LOC (11) Cl.** ..... **21-01**

(52) **U.S. Cl.**  
USPC ..... **D21/423**

(58) **Field of Classification Search**  
USPC ..... D21/419, 421, 423, 426-428, 435,  
D21/668-671, 760, 765, 771; D12/1, 8,  
D12/108, 111, 112, 113  
CPC . B62K 3/002; B62K 9/00; B62K 9/02; B62K  
13/00; B62K 2202/00  
See application file for complete search history.

(56) **References Cited**

**U.S. PATENT DOCUMENTS**

4,094,372 A 6/1978 Notter  
5,662,187 A 9/1997 McGovern  
6,139,035 A 10/2000 Tsai  
D433,718 S 11/2000 Mcgreen  
D435,873 S \* 1/2001 Lee ..... D21/423  
D438,912 S \* 3/2001 Barrera ..... D21/423  
D439,623 S \* 3/2001 Barrera ..... D21/423  
D446,259 S \* 8/2001 Udwin ..... D21/423  
D447,187 S \* 8/2001 Powers ..... D21/423  
6,273,205 B1 8/2001 Tsai  
6,296,082 B1 10/2001 Tsai  
6,298,952 B1 10/2001 Tsai  
D452,284 S \* 12/2001 McGinnis ..... D21/423  
D453,804 S 2/2002 Robinson  
D454,377 S 3/2002 Hsu et al.  
D456,460 S 4/2002 Tseng

**FOREIGN PATENT DOCUMENTS**

CH 598051 4/1978  
WO WO 2017/127464 A1 7/2017

**OTHER PUBLICATIONS**

U.S. Appl. No. 29/591,292, filed Jan. 18, 2017, Huang et al.

*Primary Examiner* — Cynthia M Chin  
(74) *Attorney, Agent, or Firm* — Knobbe, Martens, Olson & Bear, LLP

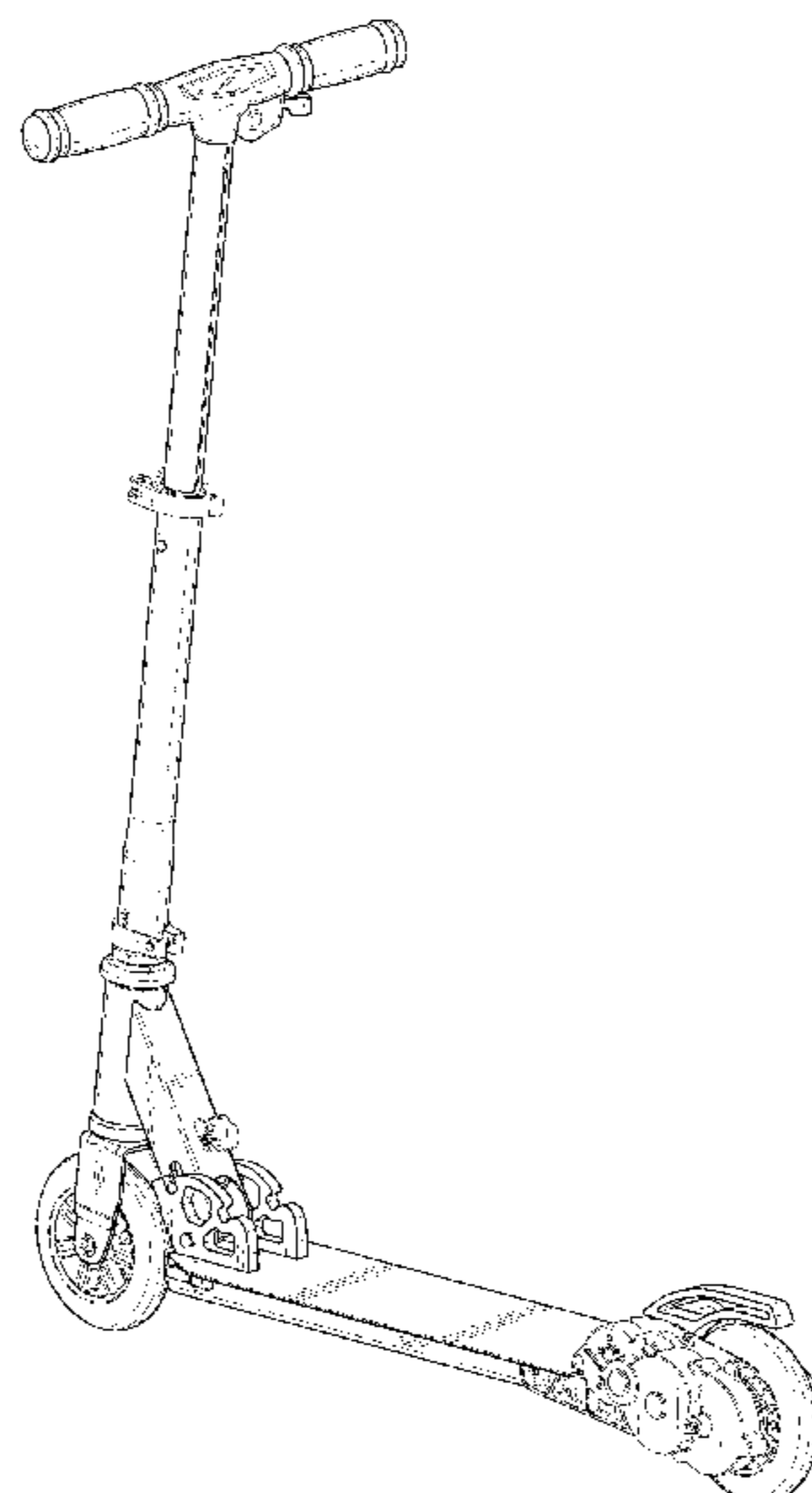
(57) **CLAIM**

The ornamental design for an electric scooter, as shown and described.

**DESCRIPTION**

FIG. 1 is a top, rear, left-side perspective view showing an electric scooter of my design;  
FIG. 2 is a front view thereof;  
FIG. 3 is a rear view thereof;  
FIG. 4 is a left-side view thereof;  
FIG. 5 is a right-side view thereof;  
FIG. 6 is a top view thereof; and,  
FIG. 7 is a bottom view thereof.  
The broken lines are for the purpose of illustrating portions of the article that form no part of the claim.

**1 Claim, 6 Drawing Sheets**



(56)

References Cited

U.S. PATENT DOCUMENTS

D486,532 S 2/2004 Christianson  
 6,739,421 B1 5/2004 Miya  
 D492,367 S 6/2004 Dennis  
 D497,397 S 10/2004 Sramek  
 6,832,660 B2 12/2004 Dodd  
 D513,629 S 1/2006 Sramek  
 D516,132 S 2/2006 Sramek  
 D569,447 S 5/2008 Thomas  
 D579,987 S 11/2008 Hong  
 D603,463 S 11/2009 Jessie, Jr.  
 D645,522 S 9/2011 Powers et al.  
 D654,963 S \* 2/2012 Powers ..... D21/423  
 D656,560 S 3/2012 Patterson et al.  
 D671,600 S \* 11/2012 Horne ..... D21/423  
 D672,400 S 12/2012 Pizzi  
 D684,217 S \* 6/2013 Hadley ..... D21/423  
 D691,671 S \* 10/2013 Chen ..... D21/423  
 D692,963 S \* 11/2013 Radtke ..... D21/423  
 D693,414 S 11/2013 Hadley et al.  
 D698,868 S 2/2014 Chan  
 8,813,892 B2 8/2014 Hadley et al.  
 D714,396 S 9/2014 Talios  
 D715,870 S 10/2014 Talios

8,870,200 B2 \* 10/2014 Chen ..... B62B 3/001  
 280/87.01  
 D717,881 S \* 11/2014 Radtke ..... D21/423  
 8,925,935 B2 \* 1/2015 Powers ..... B62K 3/002  
 280/655.1  
 D727,833 S 4/2015 Talios et al.  
 9,045,189 B2 6/2015 Lovley, II et al.  
 D738,435 S 9/2015 O'Connell  
 D748,738 S 2/2016 Hadley et al.  
 D750,180 S 2/2016 Edlauer  
 9,321,504 B2 4/2016 Hadley et al.  
 D756,464 S 5/2016 Edlauer  
 D772,990 S 11/2016 Allais  
 D774,145 S 12/2016 Hadley et al.  
 D777,844 S 1/2017 Connell  
 D778,806 S 2/2017 Welford  
 9,592,876 B2 3/2017 Lovley, II et al.  
 2002/0093161 A1 \* 7/2002 Udwin ..... B62K 3/002  
 280/87.05  
 2002/0105157 A1 8/2002 Chen  
 2003/0221888 A1 12/2003 McKinney, Jr. et al.  
 2007/0045976 A1 3/2007 Wu  
 2008/0203691 A1 8/2008 Hsu  
 2013/0320648 A1 \* 12/2013 Eckert ..... B62K 3/002  
 280/279  
 2016/0347402 A1 12/2016 Hadley et al.  
 2017/0240239 A1 8/2017 Huang et al.

\* cited by examiner

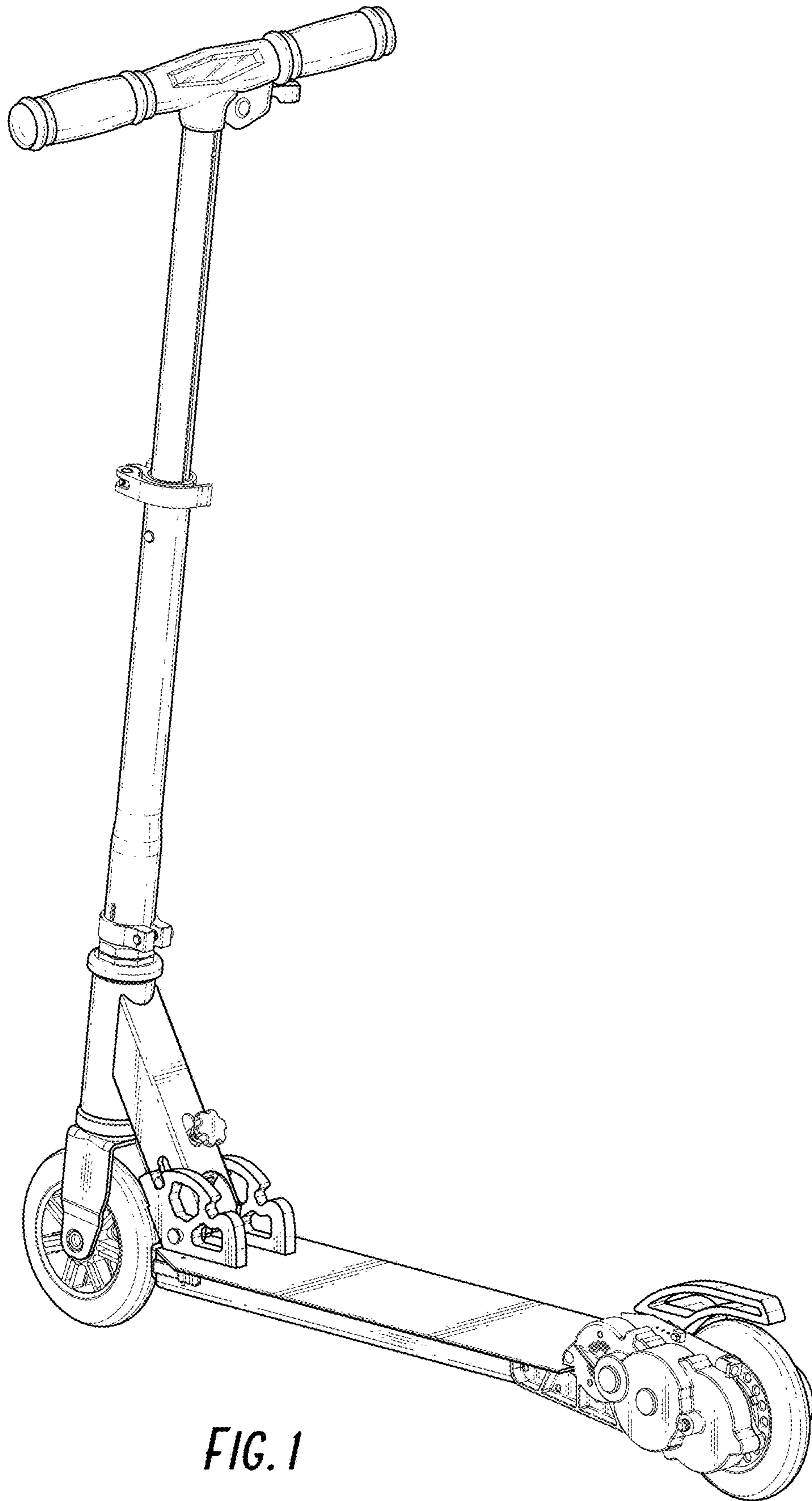
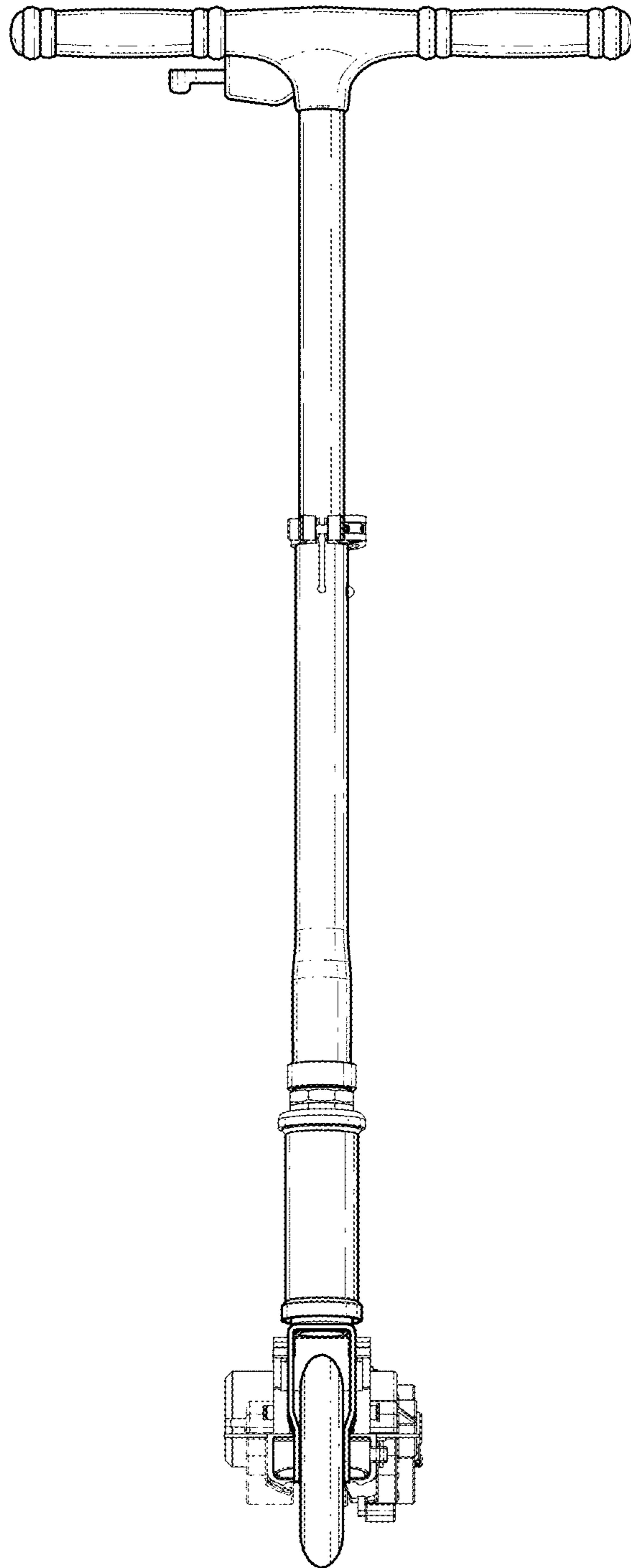
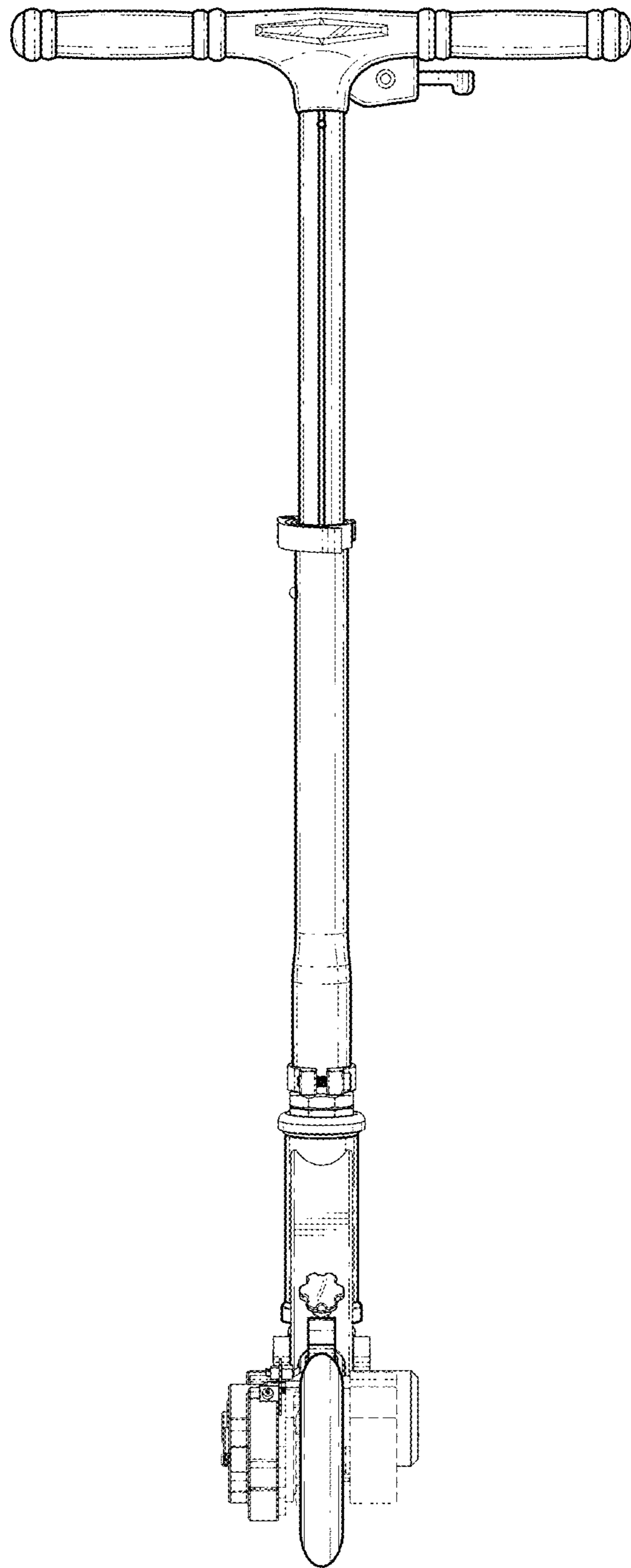


FIG. 1



*FIG. 2*



*FIG. 3*

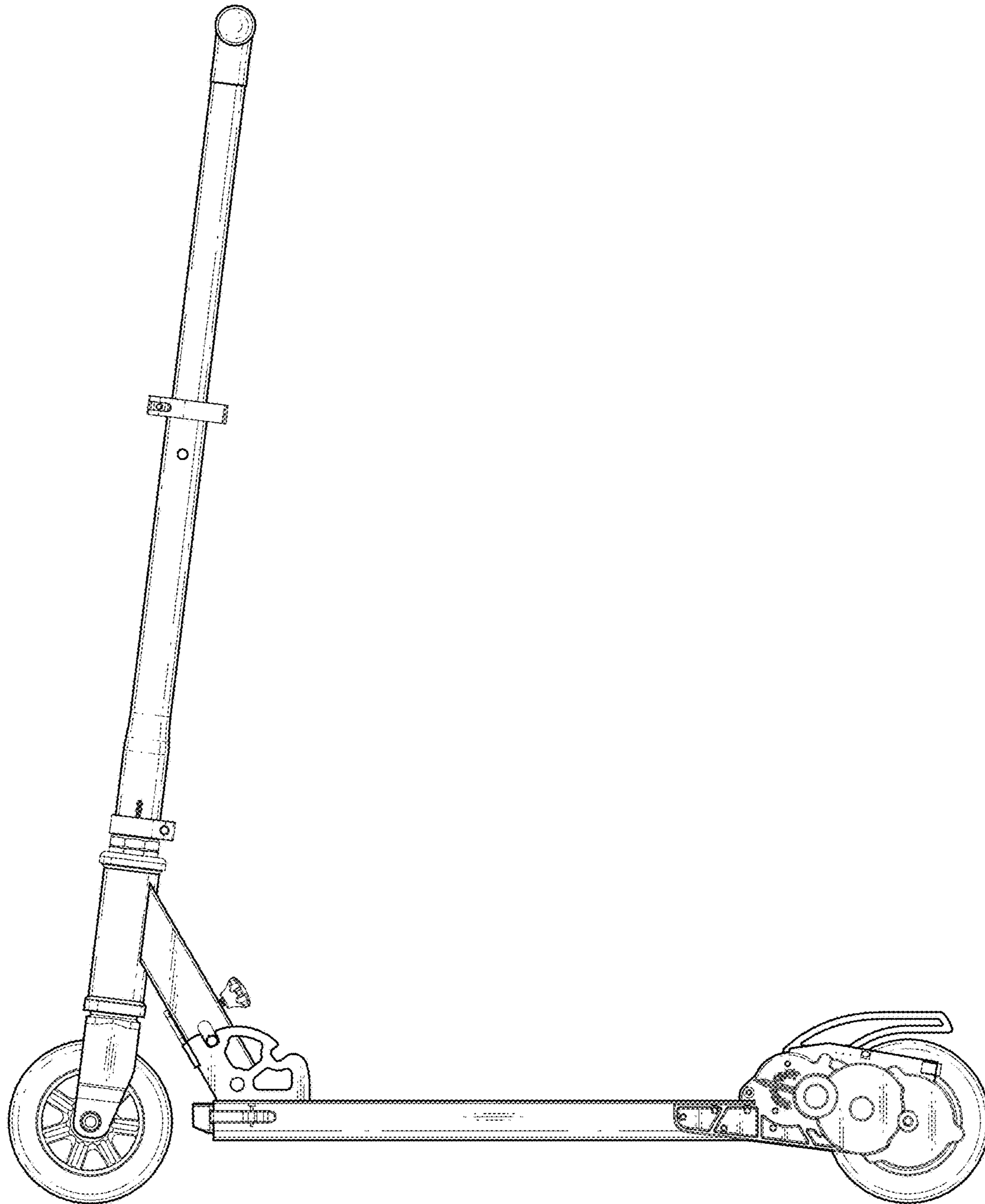


FIG. 4

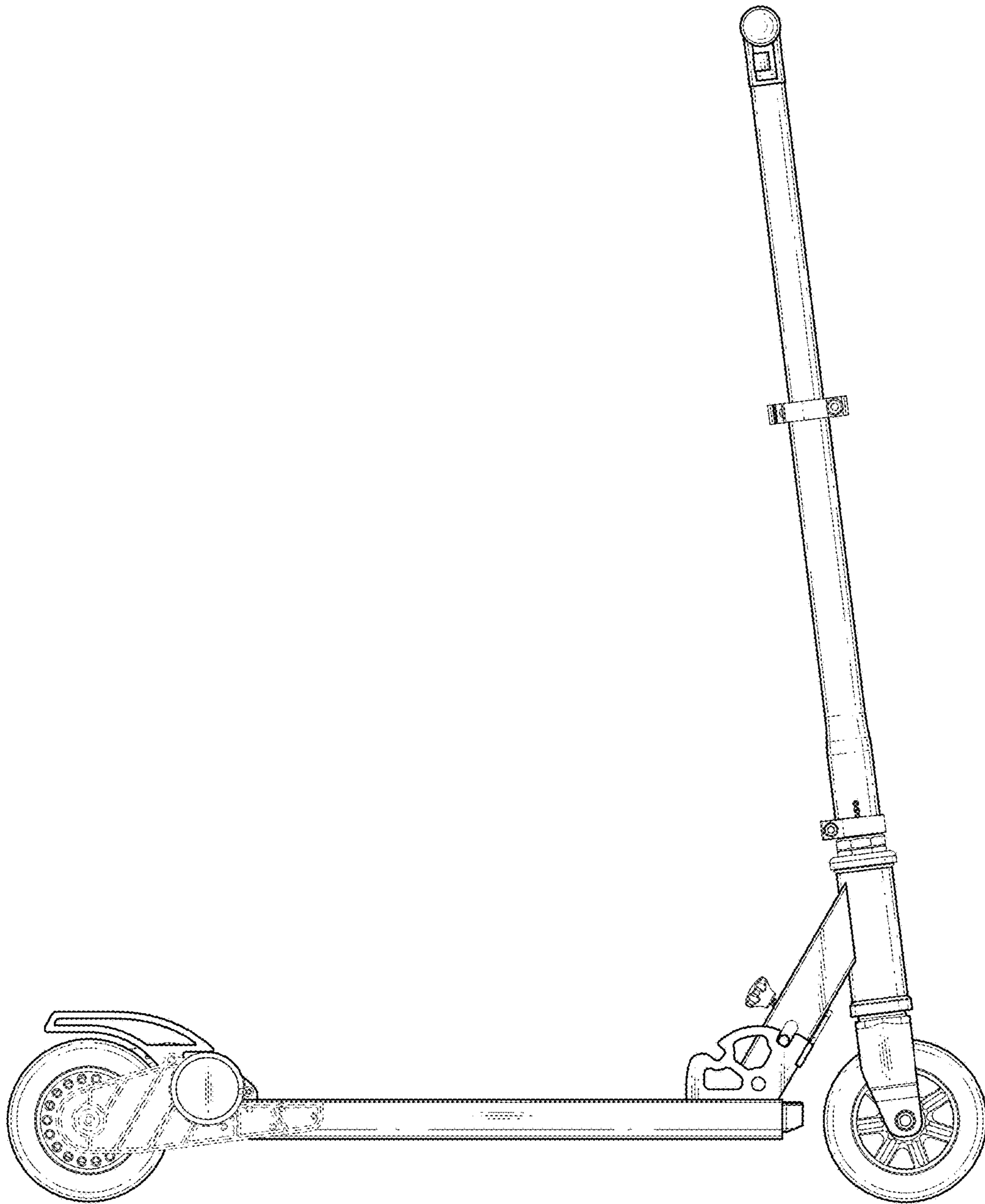
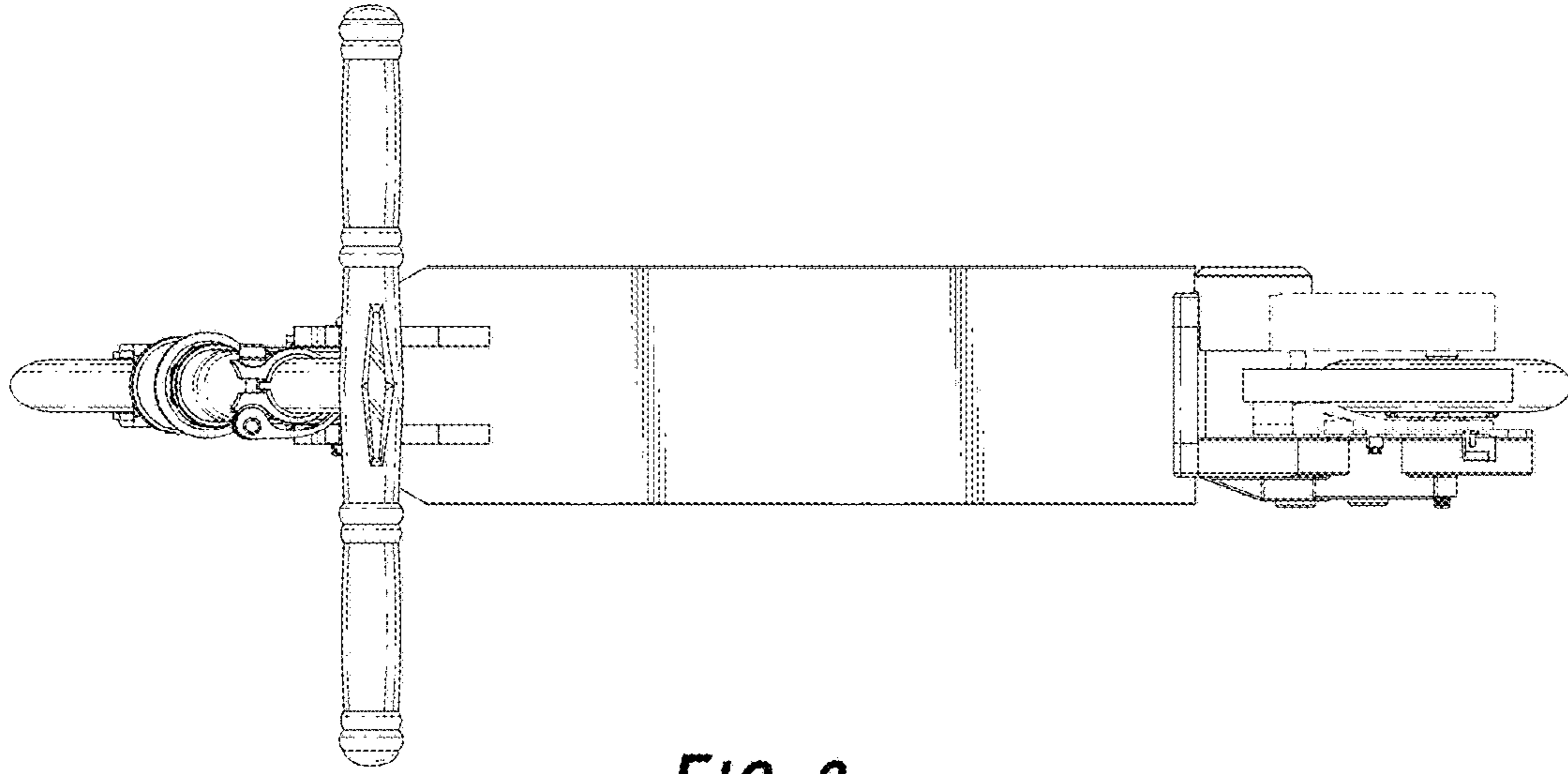
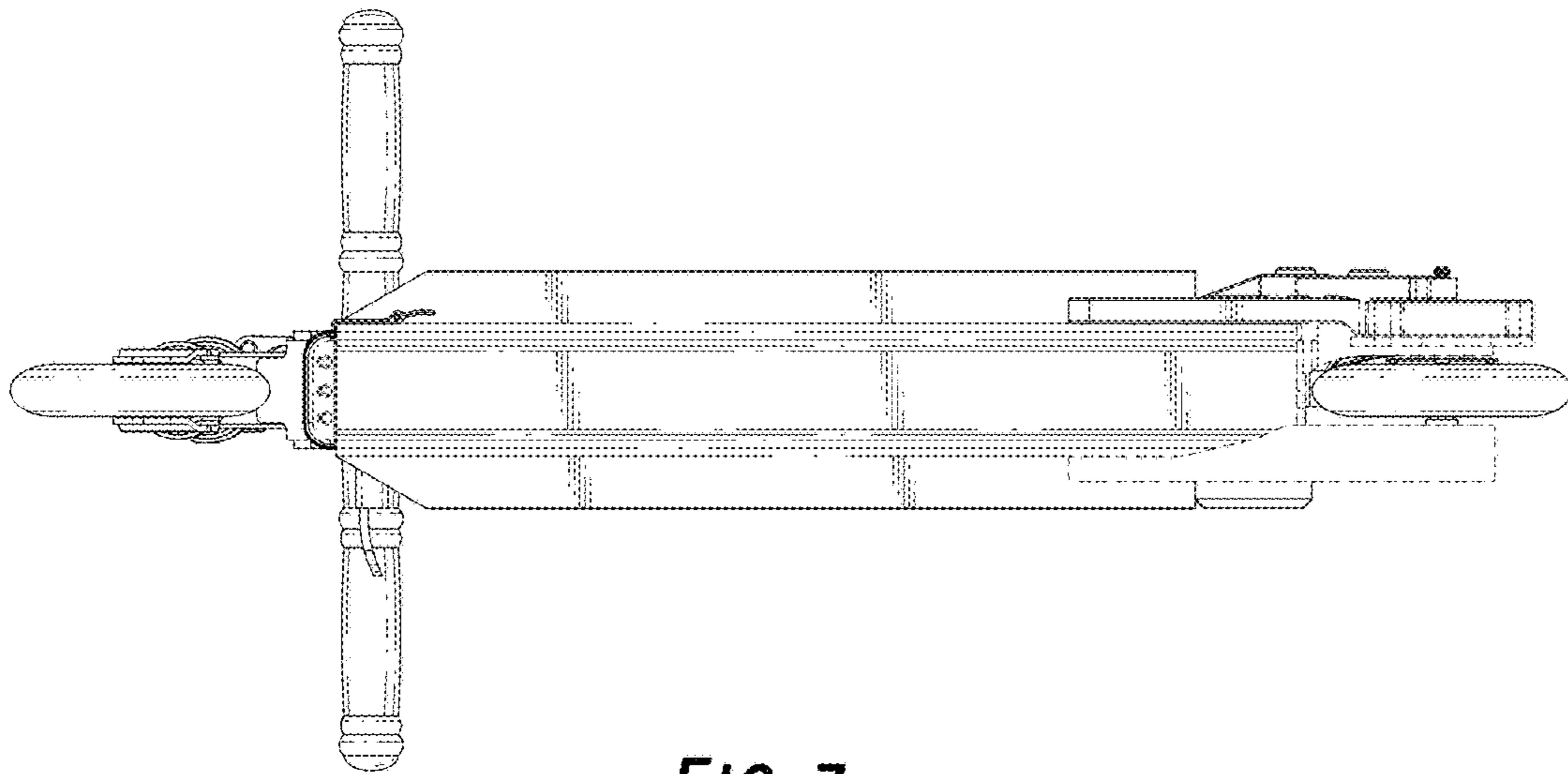


FIG. 5



*FIG. 6*



*FIG. 7*