



US00D818539S

(12) **United States Design Patent** (10) **Patent No.:** **US D818,539 S**
Day, Sr. (45) **Date of Patent:** **** May 22, 2018**

(54) **DRIVER ALERT SIGN**
(71) Applicant: **Thomas Day, Sr.**, Sacramento, CA (US)
(72) Inventor: **Thomas Day, Sr.**, Sacramento, CA (US)
(**) Term: **15 Years**
(21) Appl. No.: **29/560,787**
(22) Filed: **Apr. 11, 2016**
(51) **LOC (11) Cl.** **20-03**
(52) **U.S. Cl.**
USPC **D20/10**
(58) **Field of Classification Search**
USPC D20/10, 17-19, 41, 42, 99; D10/109.1, D10/113.4
CPC G09F 7/00; G09F 9/00; G09F 9/30; G09F 11/00; G09F 13/00; G09F 13/04; G09F 13/20; G09F 15/00; G09F 21/00
See application file for complete search history.

(56) **References Cited**
U.S. PATENT DOCUMENTS
1,383,082 A * 6/1921 Dodds G09F 13/20 250/458.1
3,978,599 A * 9/1976 Berger G09F 13/04 40/542
D271,861 S * 12/1983 Patton D20/10
D349,517 S * 8/1994 Neff D10/114.1
D367,679 S * 3/1996 Vitali D20/42
D373,387 S * 9/1996 Wu D20/10
5,574,428 A 11/1996 Groover

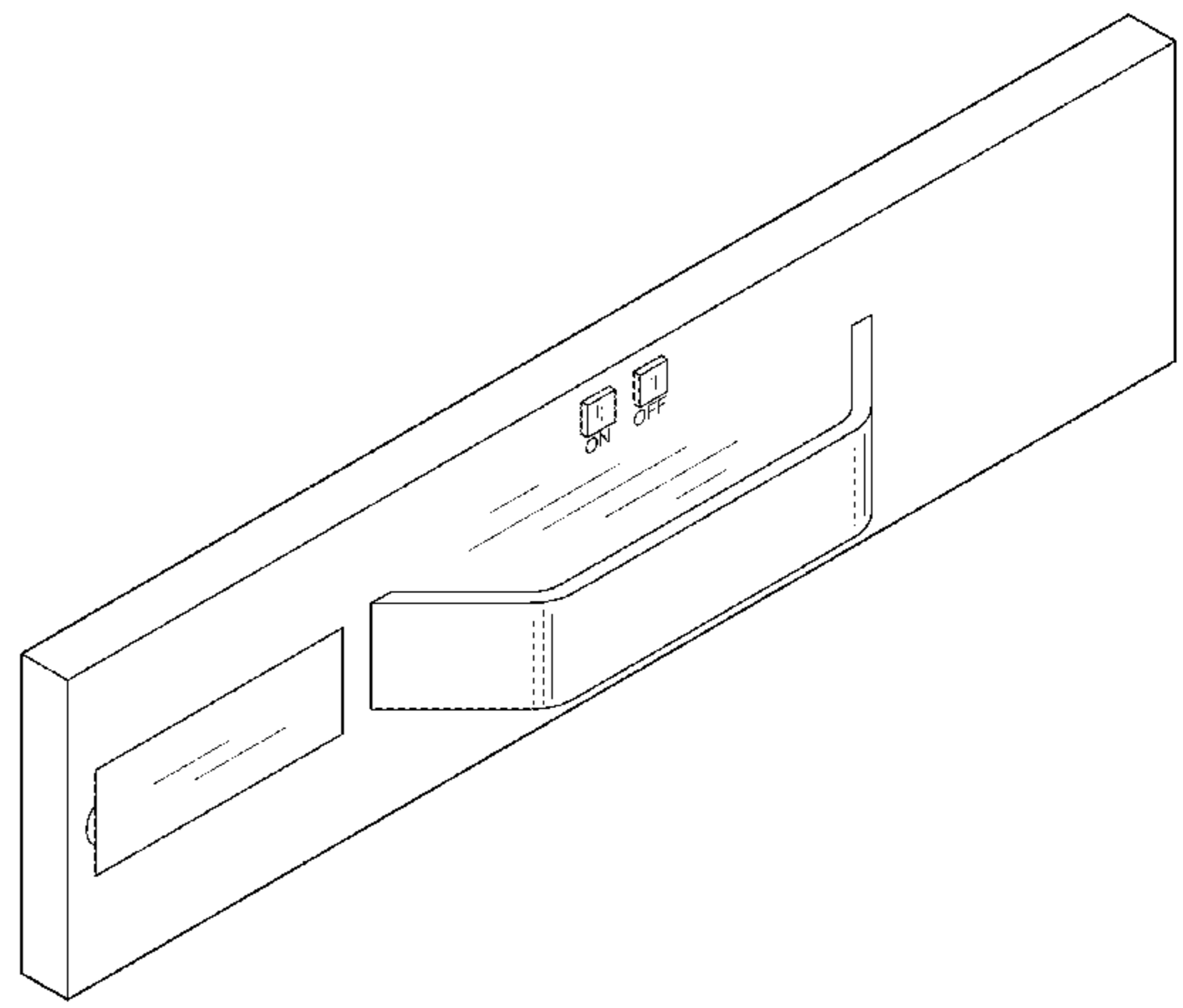
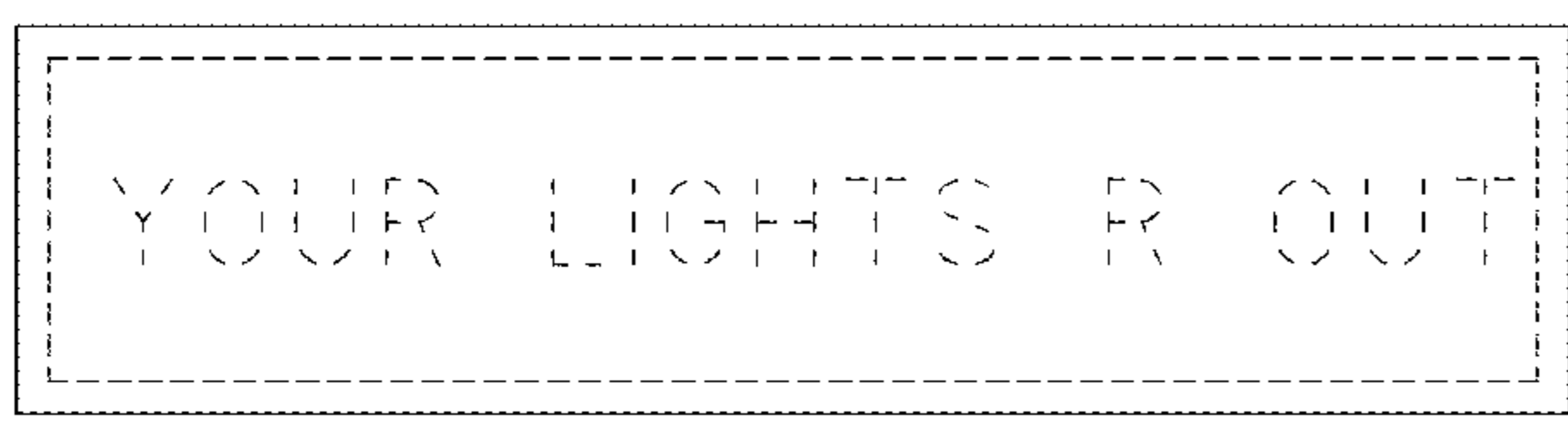
D382,218 S 8/1997 Hall
D398,103 S * 9/1998 Brown D32/28
5,973,607 A 10/1999 Munyon
6,217,966 B1 * 4/2001 Finster G09F 3/0288 283/81
6,271,814 B1 * 8/2001 Kaoh G09F 9/30 340/815.45
D453,385 S * 2/2002 Krzesowiak D26/31
7,174,664 B2 2/2007 Spencer
D647,971 S * 11/2011 Browne D20/10
8,136,280 B2 3/2012 Spelman
D781,857 S * 3/2017 Drabant D14/371
2005/0083183 A1 4/2005 Cao et al.

* cited by examiner
Primary Examiner — Mary Ann Calabrese

(57) **CLAIM**
The ornamental design for a driver alert sign, as shown and described.

DESCRIPTION
FIG. 1 is a front view of a driver alert sign showing my new design;
FIG. 2 is a rear view of the driver alert sign;
FIG. 3 is a left side view of the driver alert sign, a right side view being a mirror image thereof;
FIG. 4 is a top view of the driver alert sign, a bottom view being a mirror image thereof; and,
FIG. 5 is top rear side perspective view of the driver alert sign.
The broken lines in FIG. 1 are for illustrative purposes only and form no part of the claimed design.

1 Claim, 3 Drawing Sheets



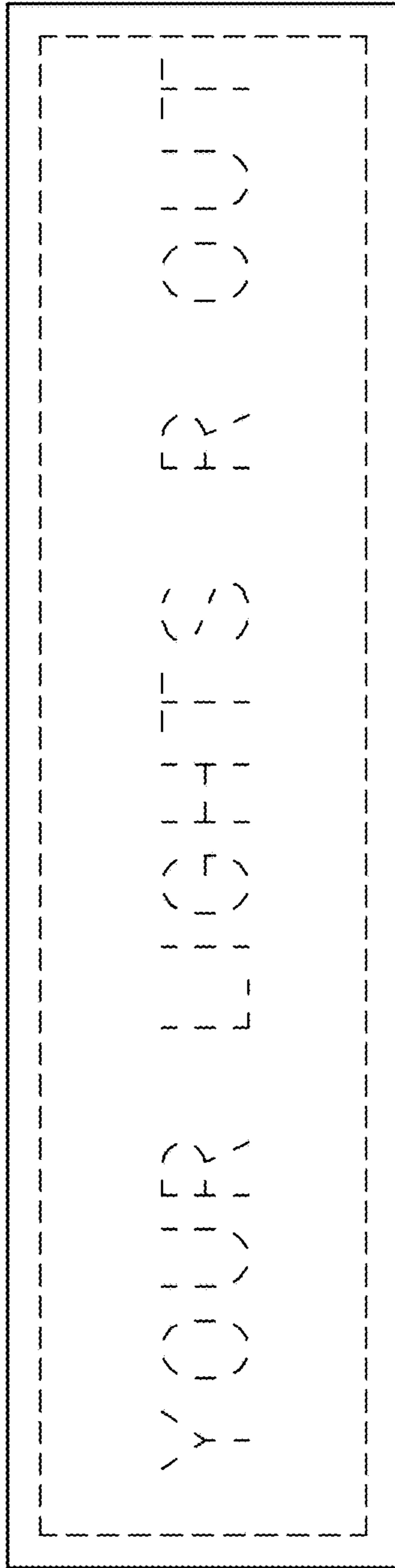


FIG. 1

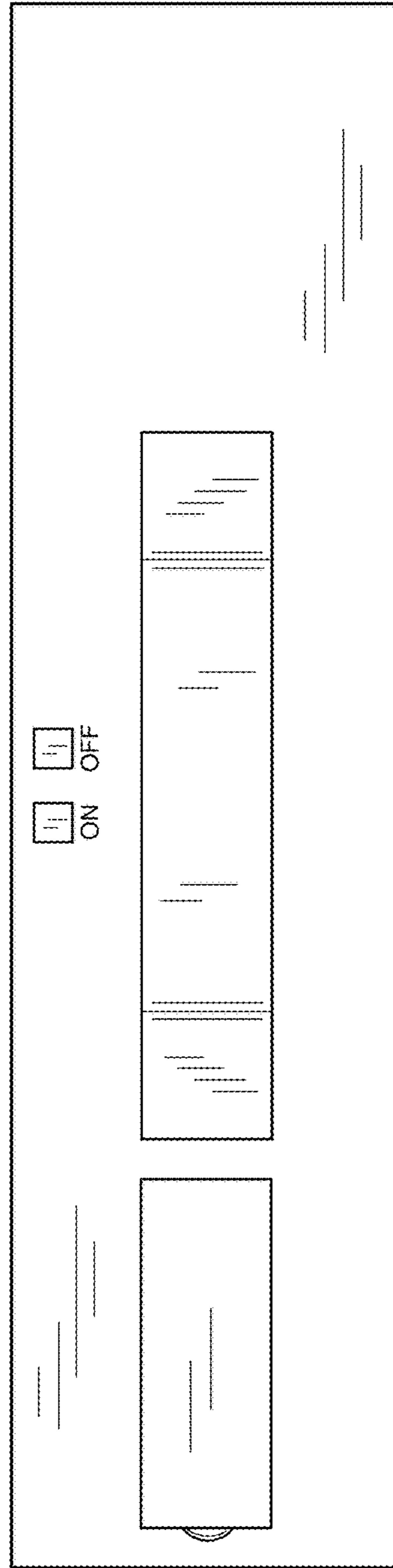


FIG. 2

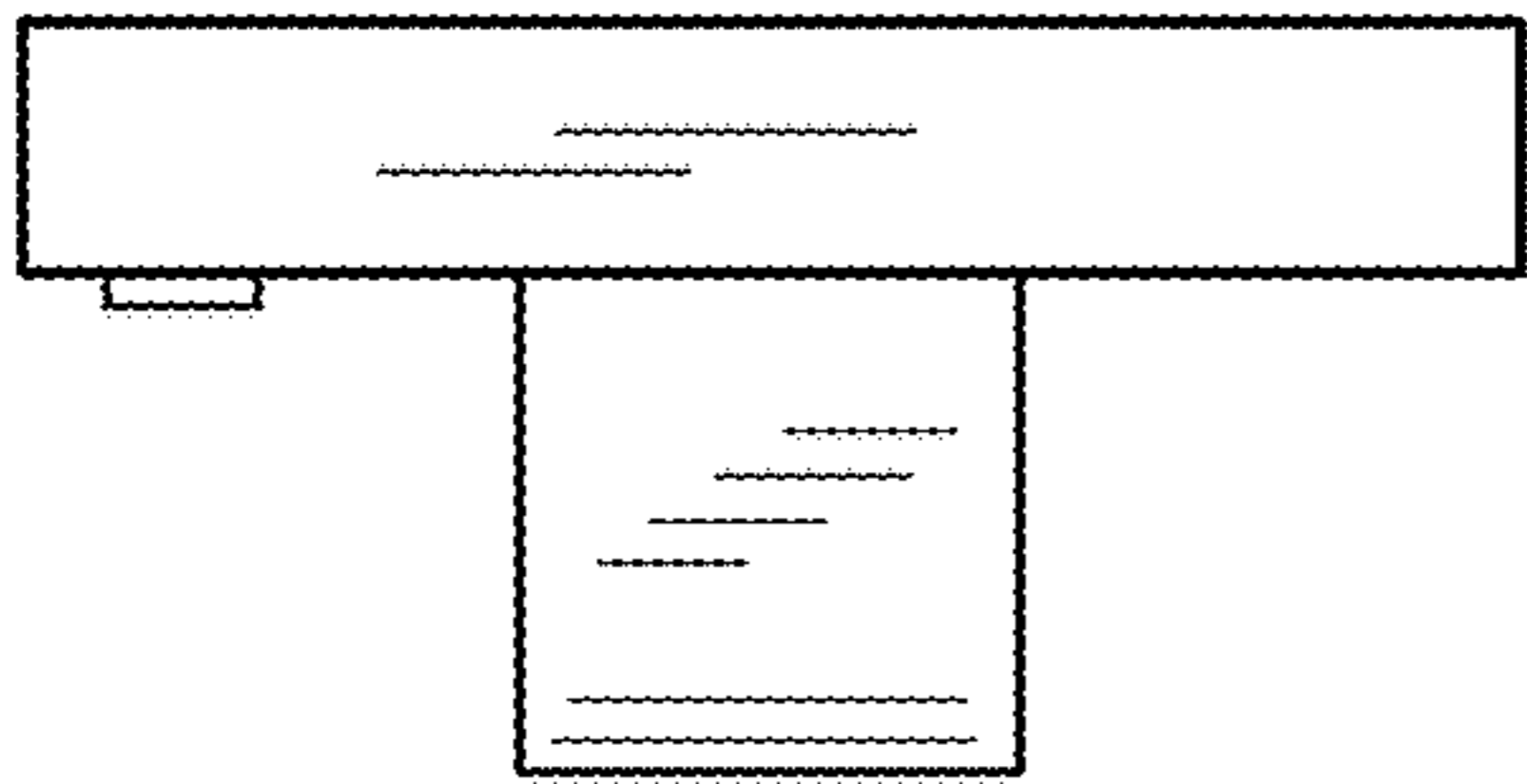


FIG. 3

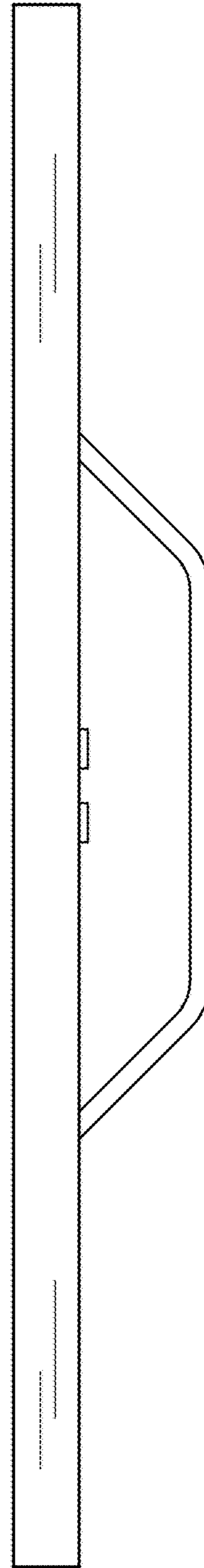


FIG. 4

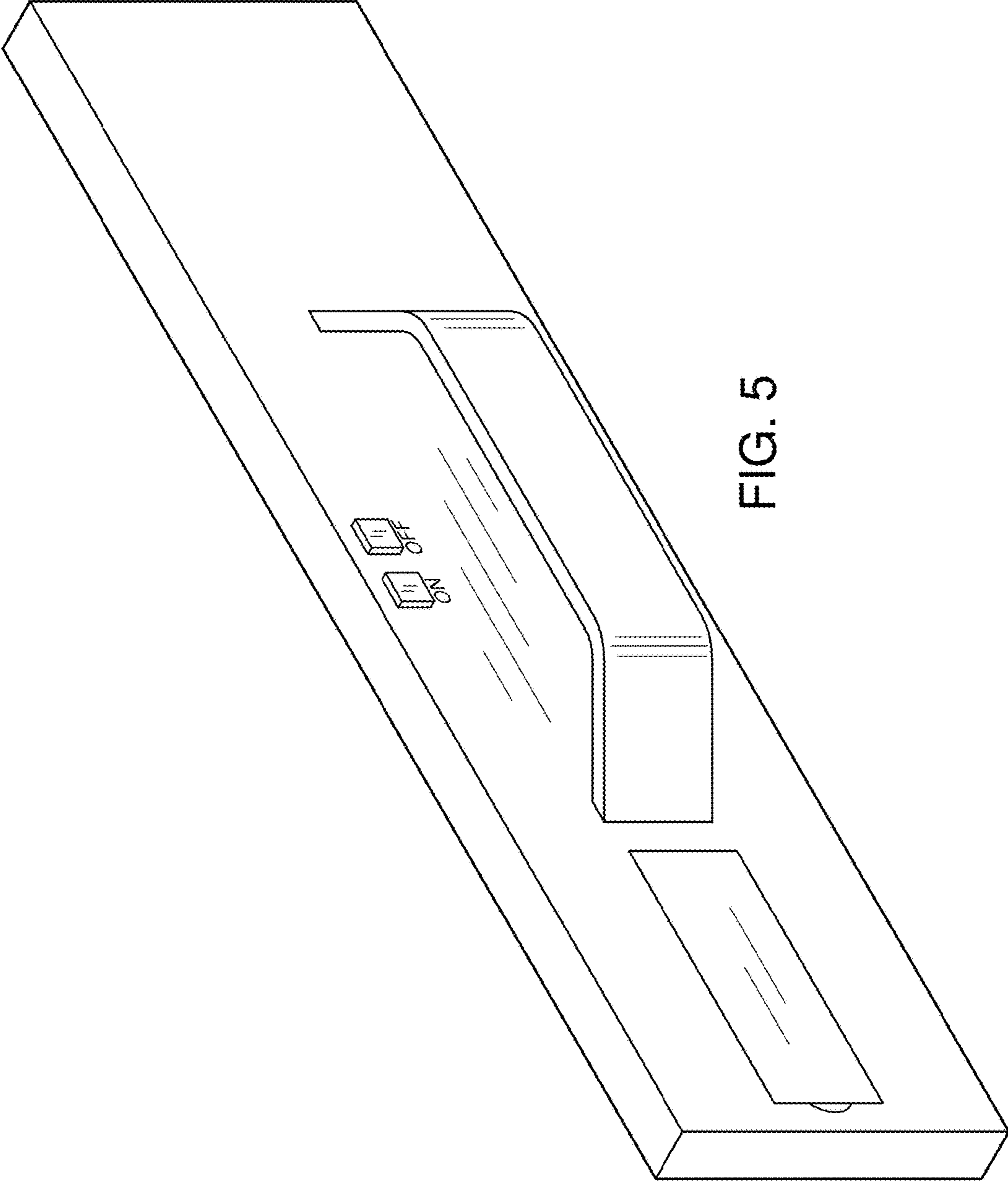


FIG. 5