

US00D818538S

(12) **United States Design Patent** (10) **Patent No.:** **US D818,538 S**
Mantis (45) **Date of Patent:** **** May 22, 2018**

(54) **MICROPHONE ERASER** 4,199,721 A * 4/1980 Ono H04B 1/3822
 381/356
 (71) Applicant: **Kikkerland Design, Inc.**, New York, NY (US) D276,336 S * 11/1984 Kaeo D14/225
 D280,323 S * 8/1985 Scheid D14/225
 D299,024 S * 12/1988 Richards D14/225
 D307,907 S * 5/1990 Siddoway D14/225
 (72) Inventor: **Steph Mantis**, New York, NY (US) 5,249,235 A * 9/1993 Davis, II H04R 1/342
 381/122
 (73) Assignee: **Kikkerland Design, Inc.**, New York, NY (US) D396,884 S * 8/1998 Davila 401/126
 D459,718 S * 7/2002 Ma D14/225
 D530,313 S * 10/2006 Leng D14/225
 D550,772 S * 9/2007 Geddes D19/187
 (**) Term: **15 Years** (Continued)

(21) Appl. No.: **29/566,832**

(22) Filed: **Jun. 2, 2016**

(51) **LOC (11) Cl.** **19-06**

(52) **U.S. Cl.**
USPC **D19/189**

(58) **Field of Classification Search**
 USPC D9/436, 446, 723; D14/411, 225–229;
 D19/115–204, 81–85, 66, 70, 71
 CPC ... B43K 5/00; B43K 7/00; B43K 7/12; B43K
 8/04; B43K 8/06; B43K 19/00; B43K
 19/02; B43K 19/14; B43K 24/08; H04R
 1/083

See application file for complete search history.

(56) **References Cited**

U.S. PATENT DOCUMENTS

2,087,310 A * 7/1937 Dorn B43K 29/02
 15/431
 2,132,942 A * 10/1938 Forsyth B43K 29/02
 15/427
 2,144,014 A * 1/1939 Finck B43K 29/02
 15/105.51
 D143,363 S * 12/1945 Stone 312/7.1
 D154,781 S * 8/1949 Karstadt D14/225
 D185,712 S * 7/1959 Kamp D14/225
 3,383,476 A * 5/1968 Morgan H04R 1/222
 181/158
 D234,957 S * 4/1975 Huntington D14/225
 D249,041 S * 8/1978 Culbertson D14/225

OTHER PUBLICATIONS

Kikkerland Microphone Erasers, Set of 3, (ER47), \$11.00, ASIN B01BEHGQ0A, 3 pages, Amazon.com, date first available on Amazon Feb. 12, 2016.*

Primary Examiner — Elizabeth Albert

(74) *Attorney, Agent, or Firm* — Charles H Jew

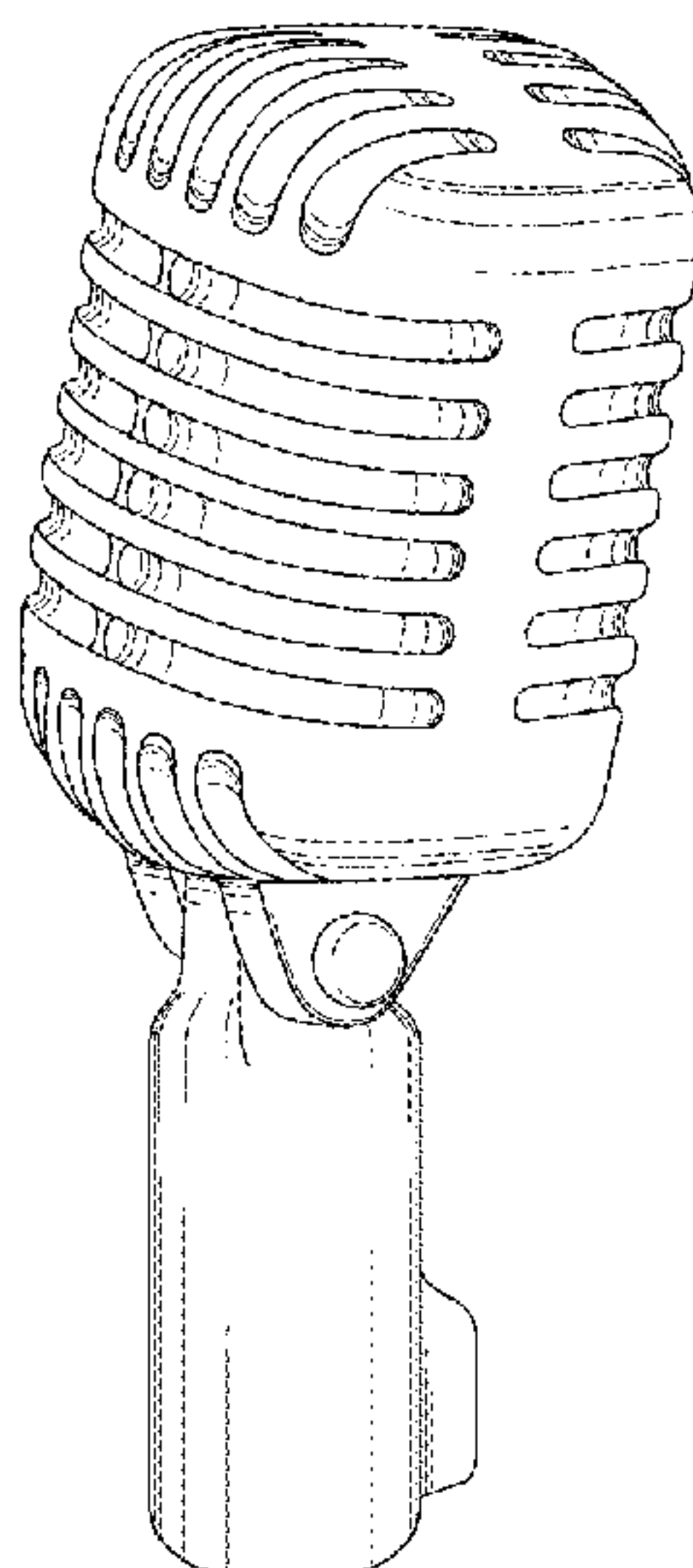
(57) **CLAIM**

The ornamental design for a microphone eraser, as shown and described.

DESCRIPTION

FIG. 1 is a left side elevational view of a microphone eraser showing my design;
 FIG. 2 is a right side elevational view thereof;
 FIG. 3 is a front elevational view thereof;
 FIG. 4 is a rear elevational view thereof;
 FIG. 5 is a top plan view thereof;
 FIG. 6 is a bottom plan view thereof;
 FIG. 7 is a front perspective view thereof; and,
 FIG. 8 is a front perspective view thereof showing the microphone eraser covering a pencil.
 The broken lines in FIG. 8 are included to show environmental matter that forms no part of the claimed design.

1 Claim, 2 Drawing Sheets



(56)

References Cited

U.S. PATENT DOCUMENTS

D569,853 S *	5/2008	Nishida	D14/225
D576,157 S *	9/2008	Nishizawa	D14/225
D589,029 S *	3/2009	Lee	D14/207
D718,746 S *	12/2014	Tran	D14/137
D744,458 S *	12/2015	Derdzinski	D14/226
D748,609 S *	2/2016	Miller	D14/225
D758,997 S *	6/2016	Miller	D14/225

* cited by examiner

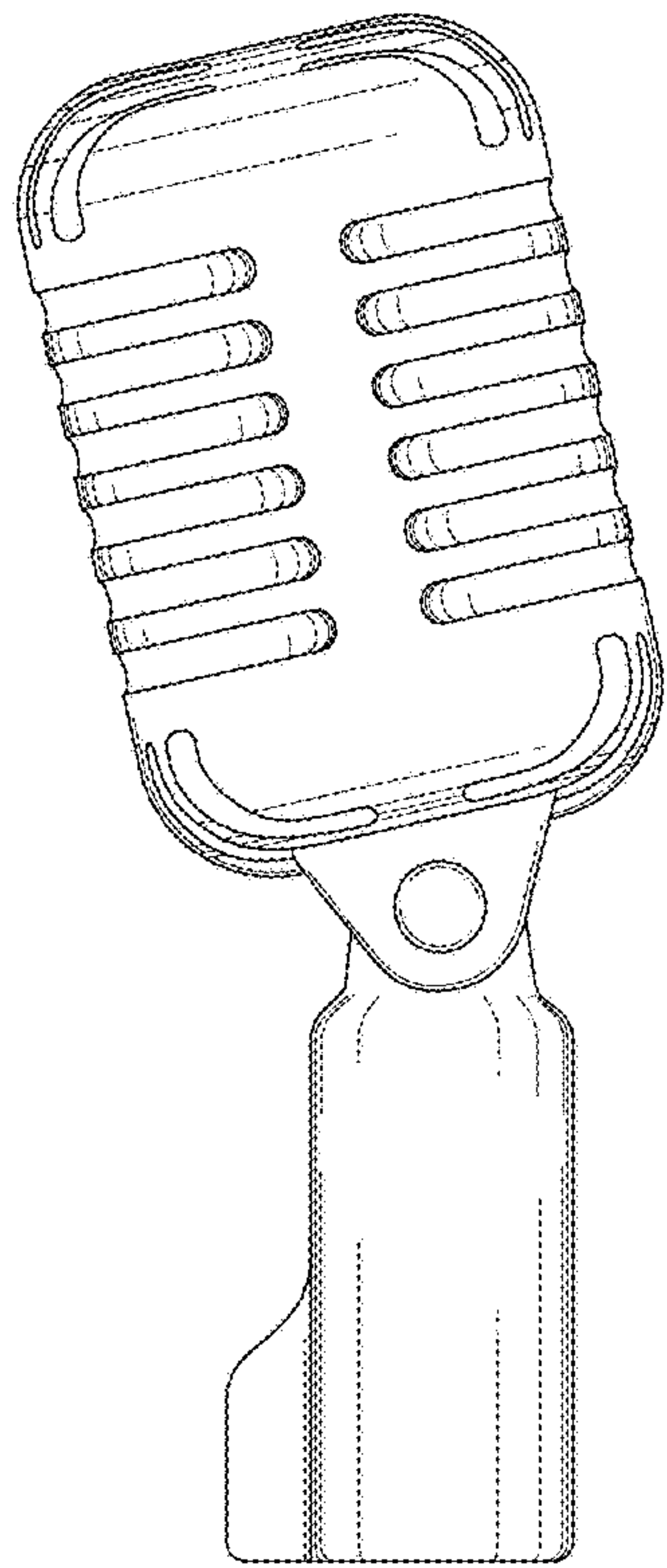


FIG. 1

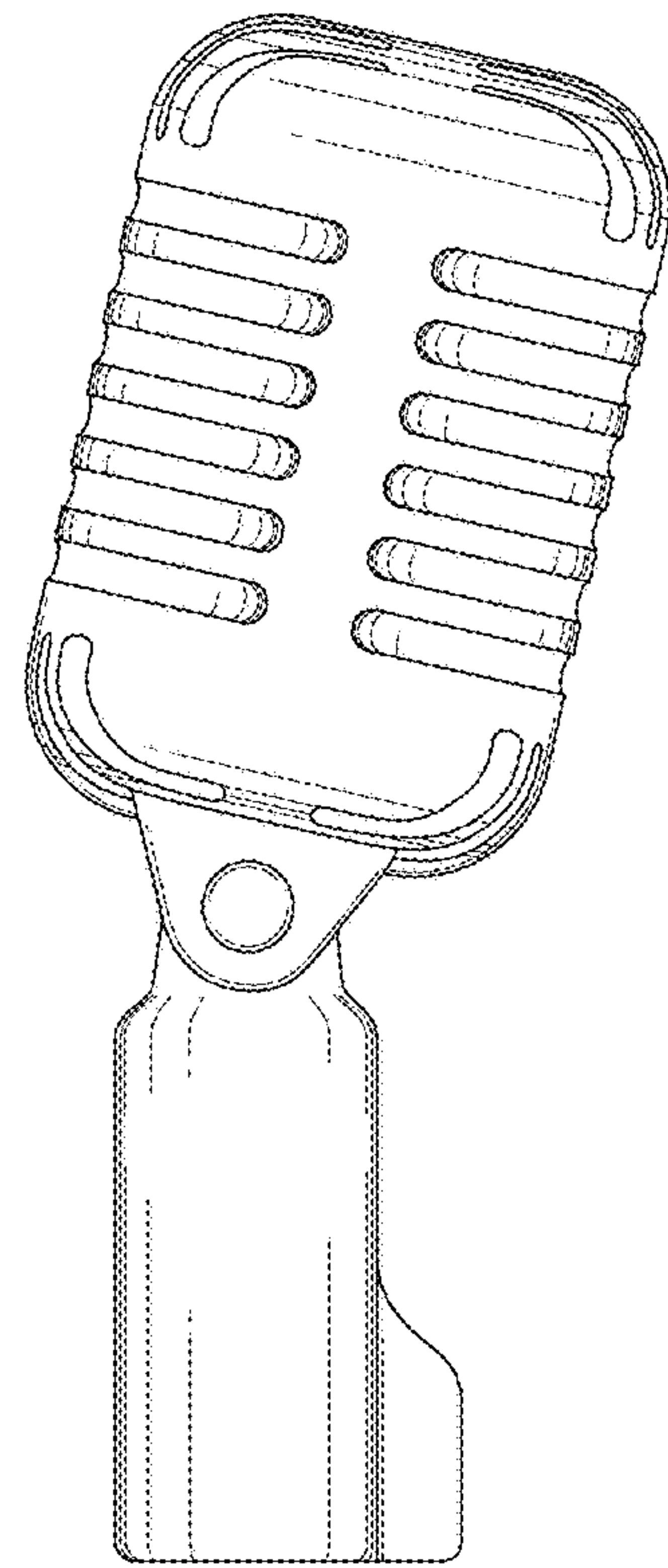


FIG. 2

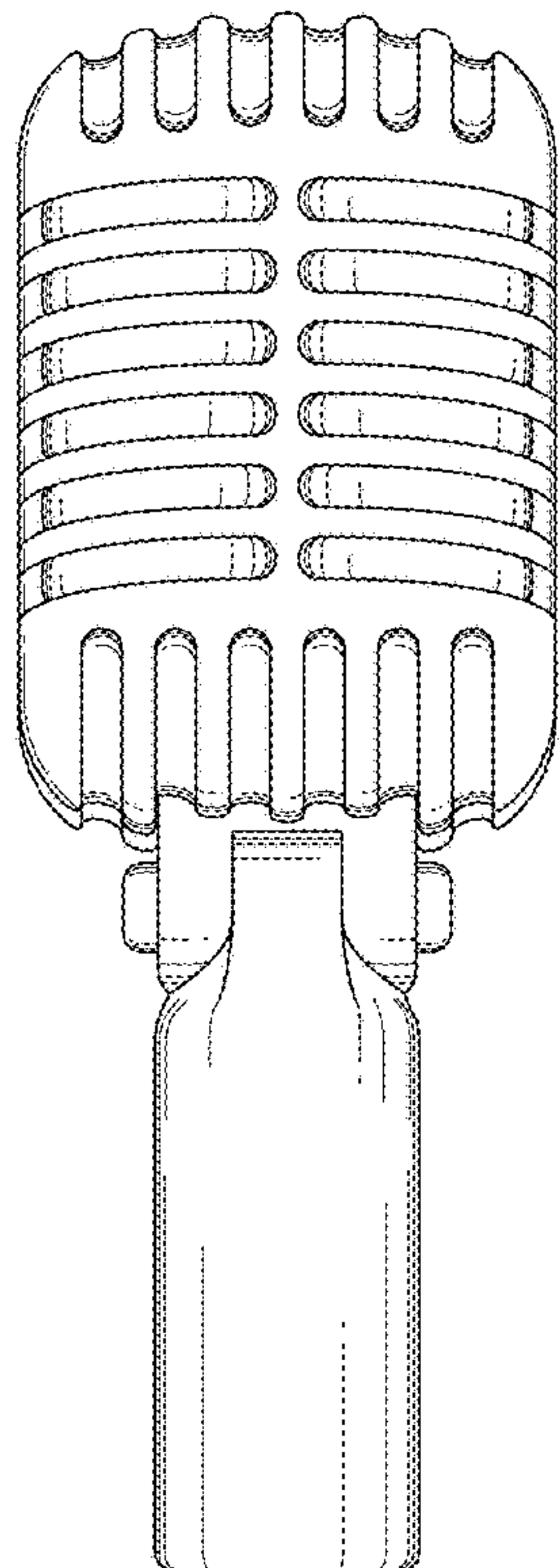


FIG. 3

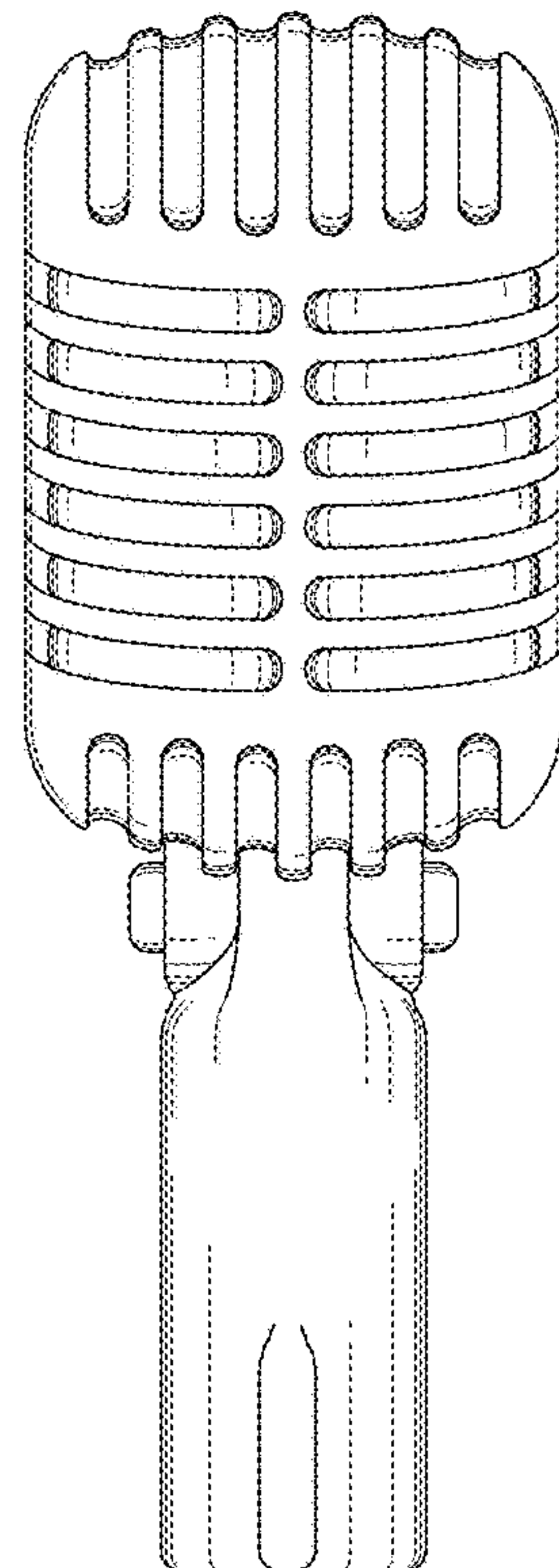


FIG. 4

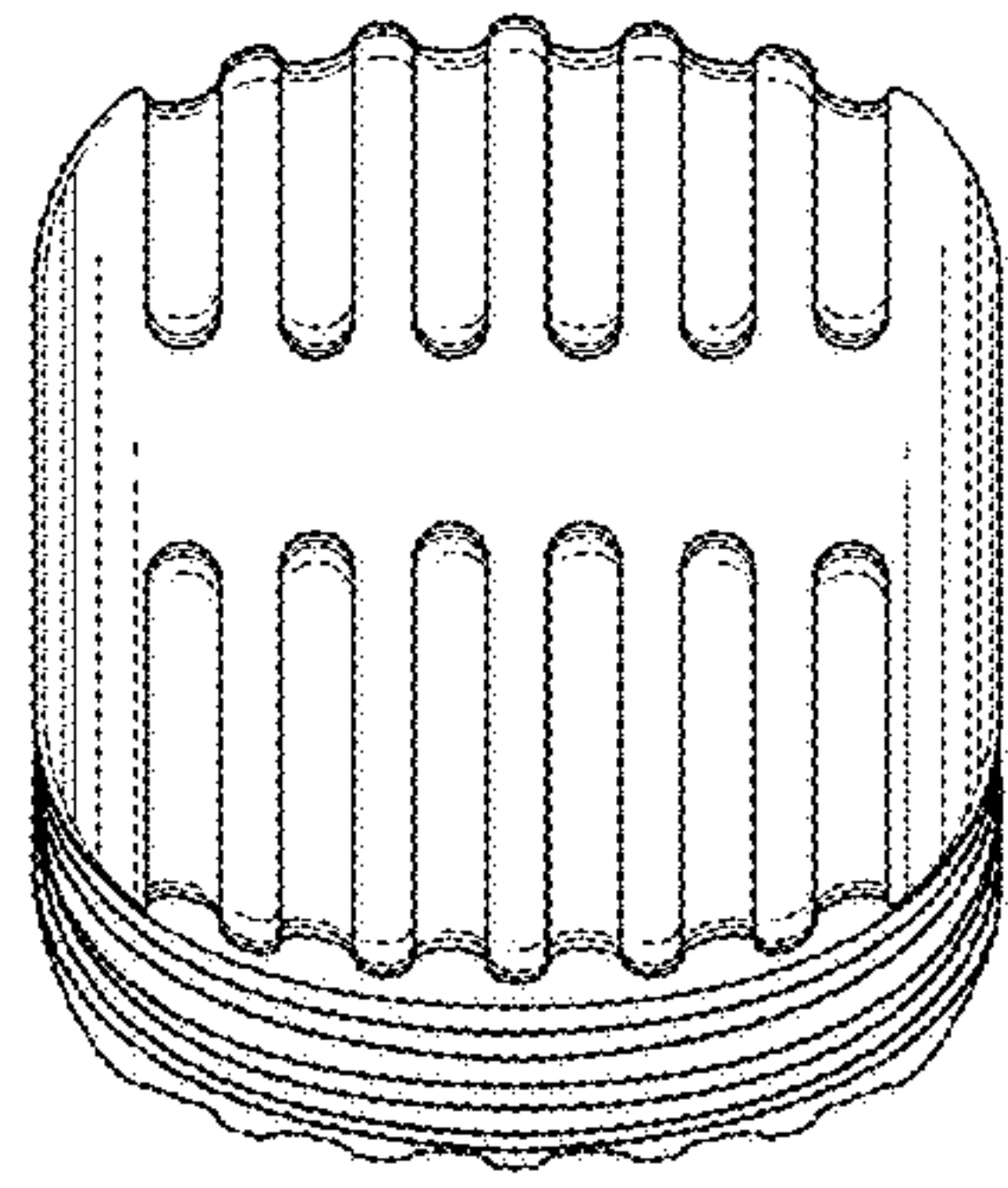


FIG. 5

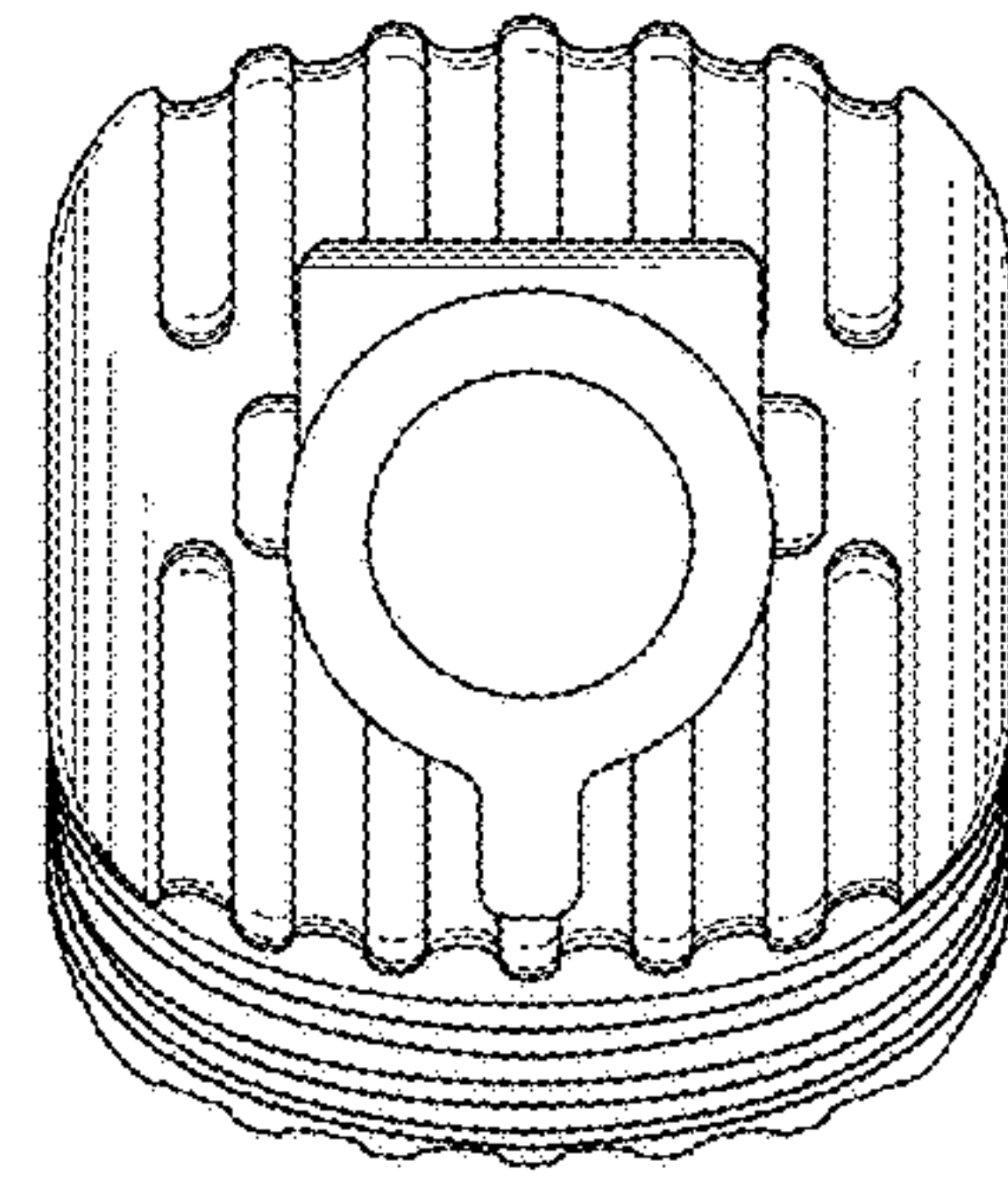


FIG. 6

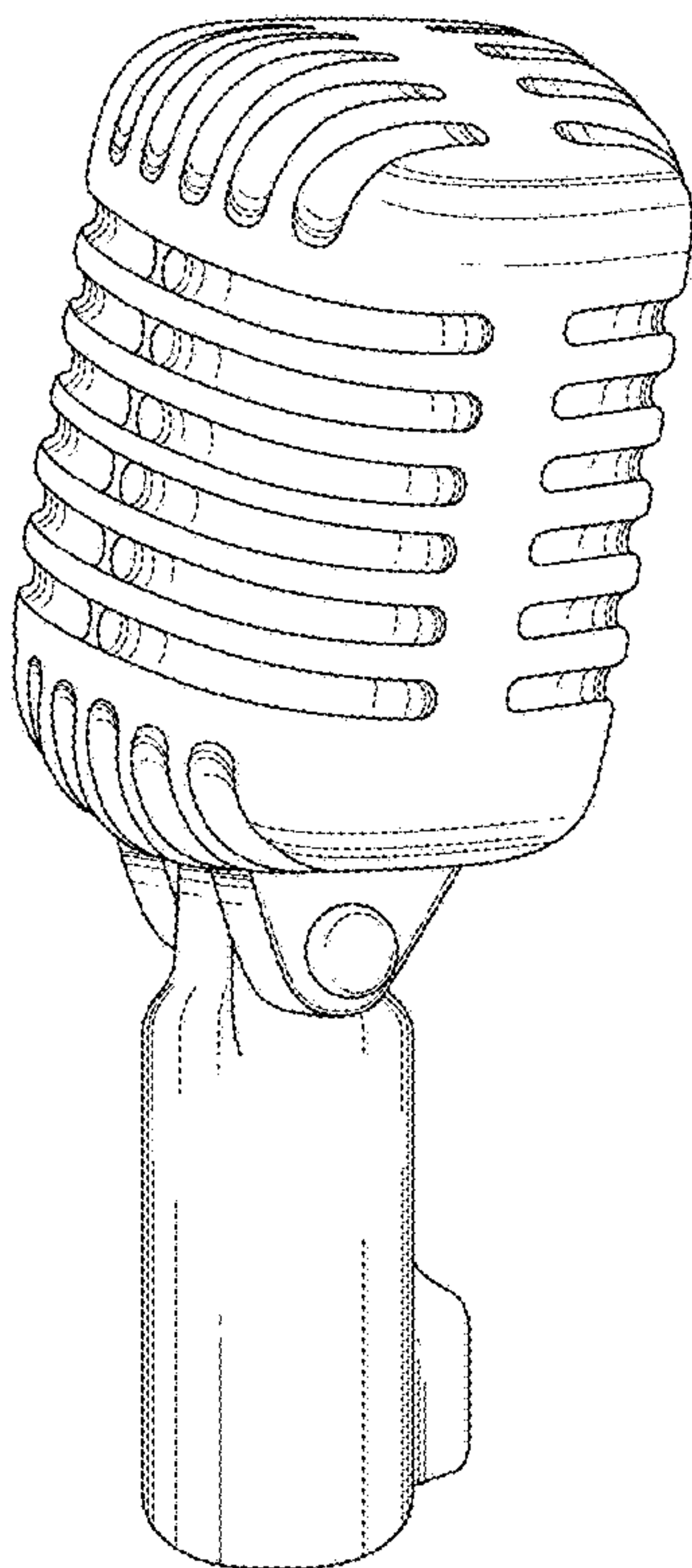


FIG. 7

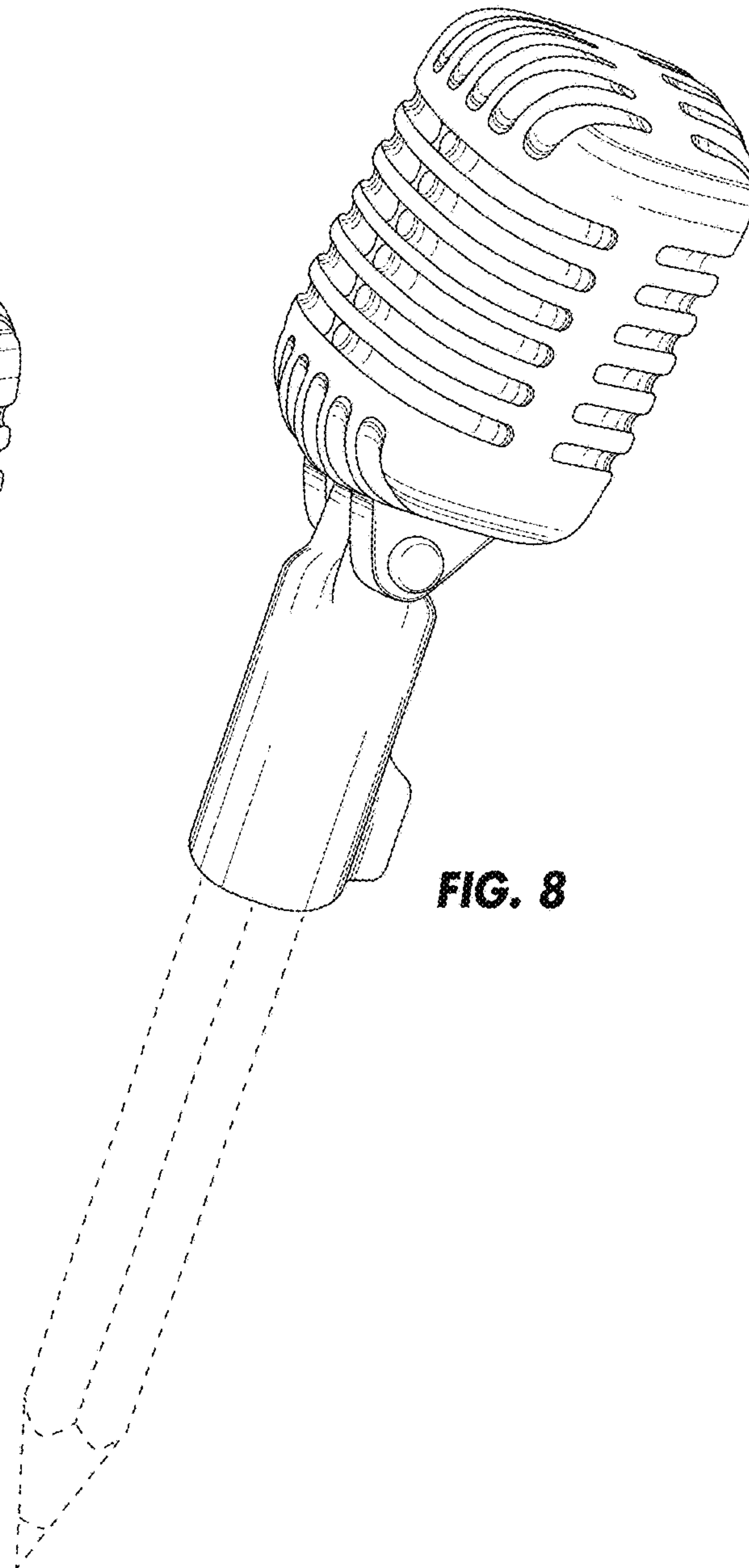


FIG. 8