



US00D818537S

(12) **United States Design Patent**  
**Branscomb et al.**

(10) **Patent No.:** **US D818,537 S**

(45) **Date of Patent:** **\*\* May 22, 2018**

(54) **TAPE DISPENSER**

(71) Applicant: **3M INNOVATIVE PROPERTIES COMPANY**, St. Paul, MN (US)

(72) Inventors: **Matt R. Branscomb**, Lakeville, MN (US); **Gerald E. Mueller**, Eagan, MN (US); **Traxton J. Turner**, Maplewood, MN (US); **Yin C. Quintero**, St. Paul, MN (US); **Jason S. Lind**, Woodbury, MN (US); **Daniel A. Streng**, Elmwood Park, IL (US); **David Yoon**, Chicago, IL (US); **RichardLouie A. Reyes**, Chicago, IL (US); **Mark D. Weiser**, Chicago, IL (US)

(73) Assignee: **3M INNOVATIVE PROPERTIES COMPANY**, St. Paul, MN (US)

(\*\*) Term: **15 Years**

(21) Appl. No.: **29/566,031**

(22) Filed: **May 26, 2016**

(51) **LOC (11) Cl.** ..... **19-02**

(52) **U.S. Cl.**  
USPC ..... **D19/69**

(58) **Field of Classification Search**  
USPC ..... D19/66-71, 1; D8/356, 358; D10/71; D20/10, 22, 42; D24/189; D9/609; D11/158; D21/611, 612, 613  
CPC ..... B65H 35/0026; B65H 35/0033; B65H 35/0073; B65H 35/004; B65H 35/008; C09J 7/02; C09J 7/04; C09J 7/041; C09J 7/045; C09J 7/048; C09J 2205/106; B05B 15/0456

See application file for complete search history.

(56) **References Cited**

**U.S. PATENT DOCUMENTS**

D81,192 S \* 5/1930 Howell ..... D21/611  
D81,930 S \* 9/1930 Howell ..... D21/611

D86,406 S \* 3/1932 Peterson ..... D21/611  
D99,933 S \* 6/1936 Fisher ..... D11/158  
D103,288 S \* 2/1937 Ross ..... D11/158  
2,134,063 A \* 10/1938 Turchanyi ..... A63H 3/06  
446/221  
2,183,306 A \* 12/1939 Dietrich ..... A63H 3/18  
446/279  
D137,490 S \* 3/1944 Flynt ..... D21/592  
D145,081 S \* 6/1946 Hauser ..... D21/611  
2,496,951 A \* 2/1950 Menzin ..... A63H 9/00  
403/107  
D186,323 S \* 10/1959 Kinniburgh ..... D21/611

(Continued)

**OTHER PUBLICATIONS**

Sedia 2016, Notebook Memo, Jan. 1, 2016, Model No. PN-1022, [retrieved from the internet Jan. 26, 2017], [http://www.sedia.co.jp/pdf/2016\\_P175\\_P180\\_cate06.pdf](http://www.sedia.co.jp/pdf/2016_P175_P180_cate06.pdf).

*Primary Examiner* — Elizabeth Albert

(74) *Attorney, Agent, or Firm* — Irina Hass

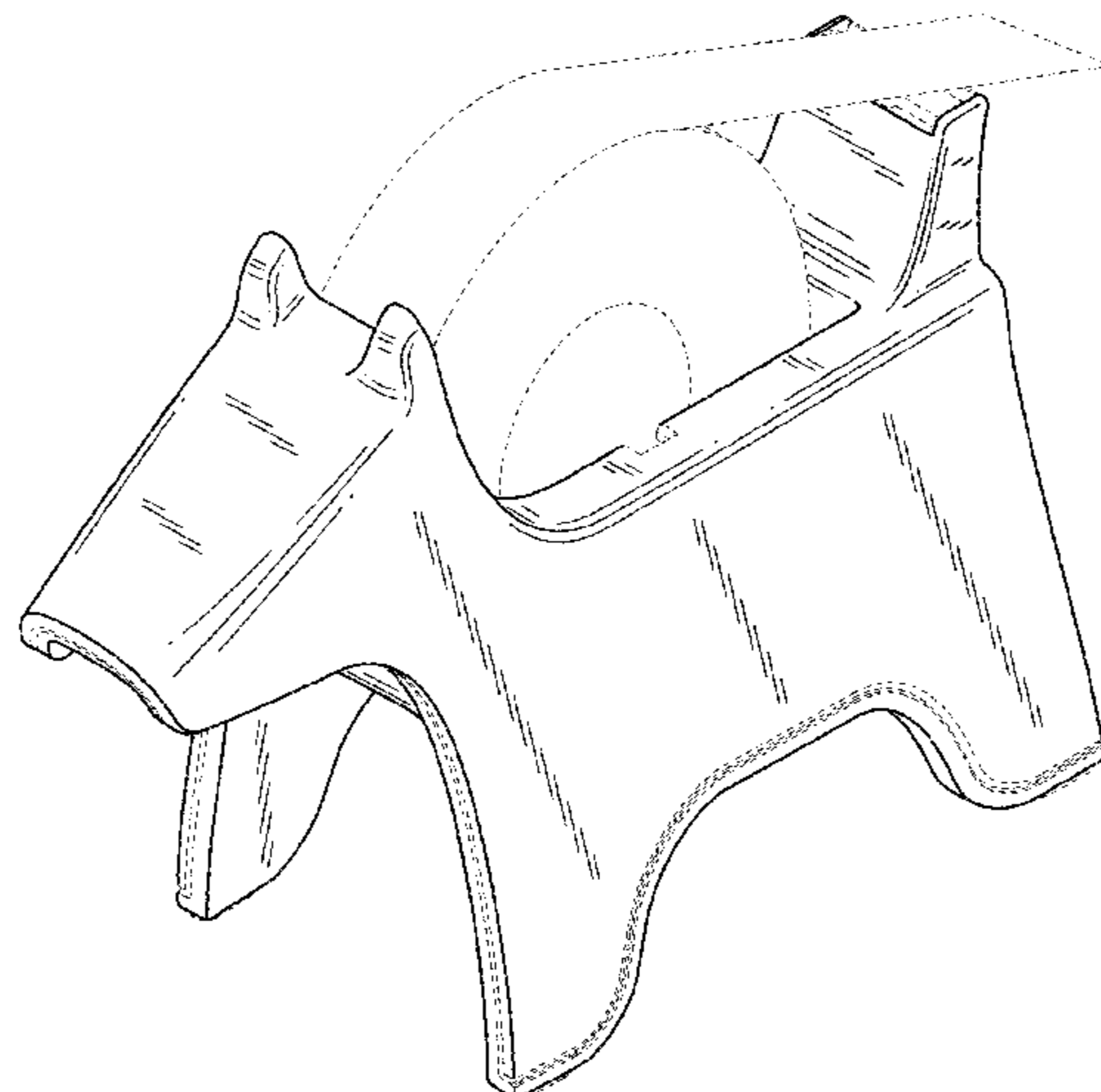
(57) **CLAIM**

The ornamental design for a tape dispenser, as shown and described.

**DESCRIPTION**

FIG. 1 is a perspective view showing the new design for a tape dispenser;  
FIG. 2 is a front view thereof, the rear view being a mirror image thereof;  
FIG. 3 is a left side view thereof;  
FIG. 4 is a right side view thereof;  
FIG. 5 is a top view thereof;  
FIG. 6 is a bottom view thereof; and,  
FIG. 7 is a perspective view thereof showing the tape dispenser with a tape.  
The portions of the tape dispenser in FIGS. 1-7 shown in broken lines are included to show features that form no part of the claimed design.

**1 Claim, 3 Drawing Sheets**



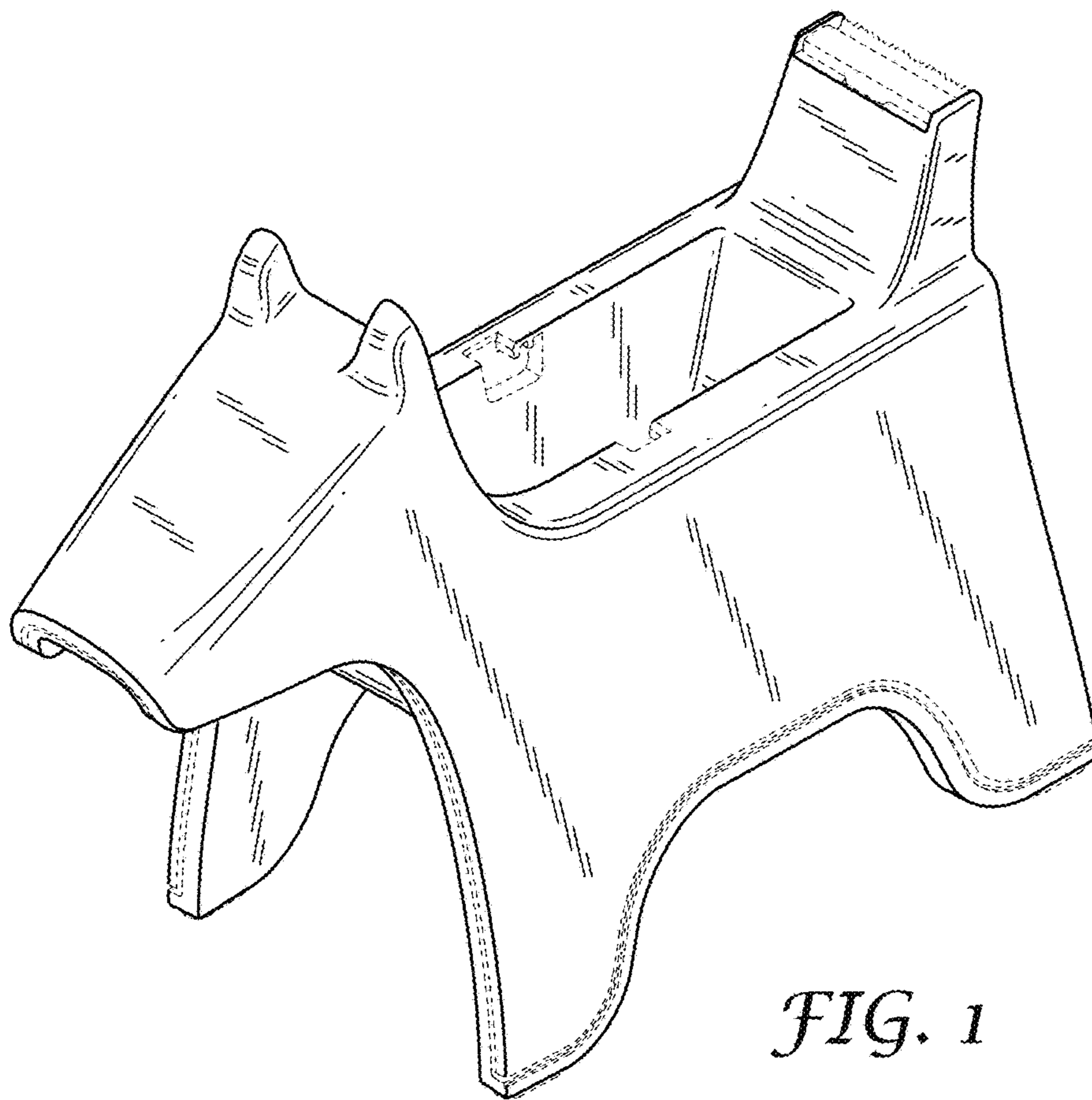
(56)

**References Cited**

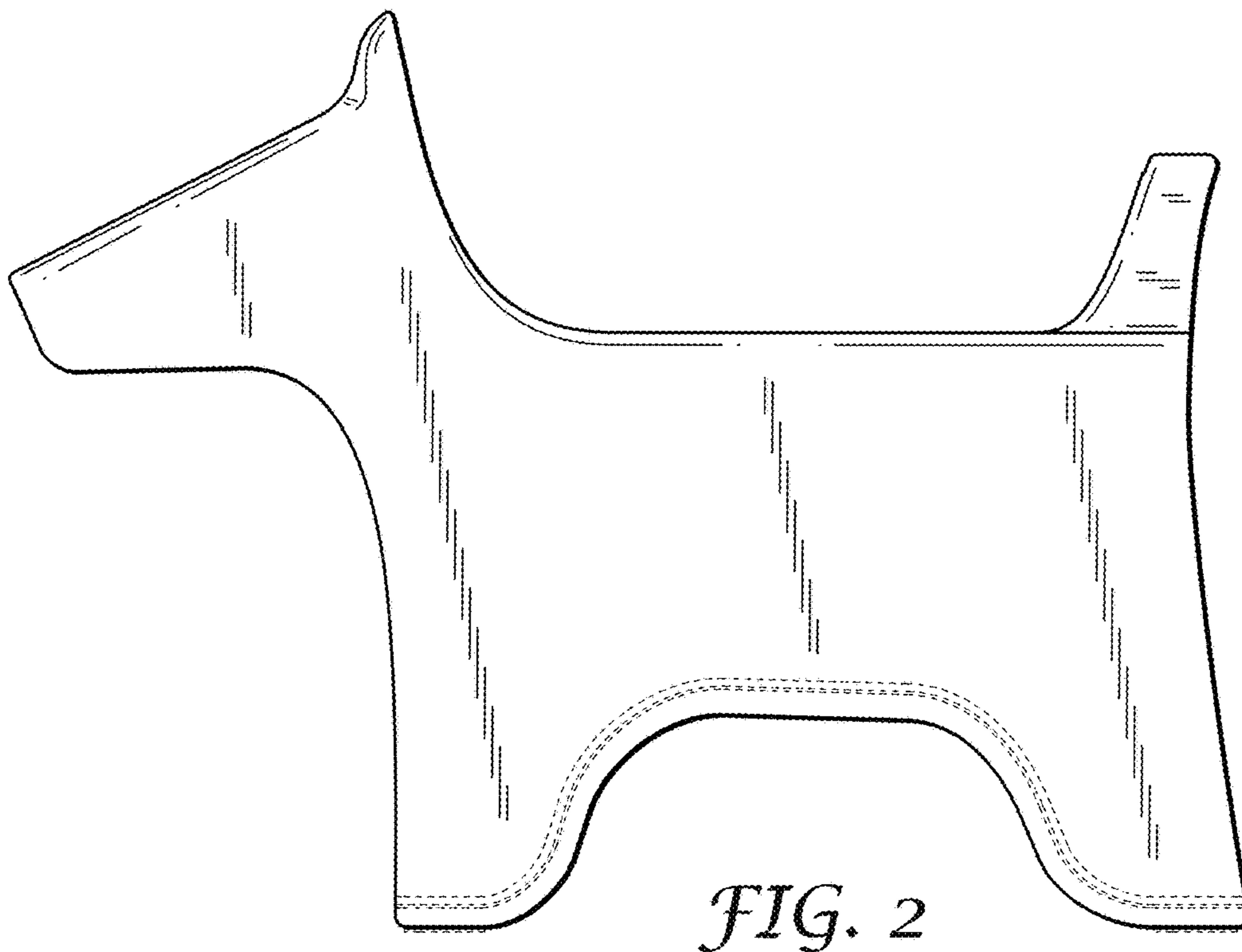
U.S. PATENT DOCUMENTS

D193,720 S	*	10/1962	Him .....	D21/611
D525,533 S	*	7/2006	Edwards .....	D9/609
D558,935 S	*	1/2008	Rutherford .....	D21/611
D559,476 S	*	1/2008	Rutherford .....	D21/611
D572,775 S	*	7/2008	Gibson .....	D11/158
D753,763 S	*	4/2016	Karabachian .....	D19/75

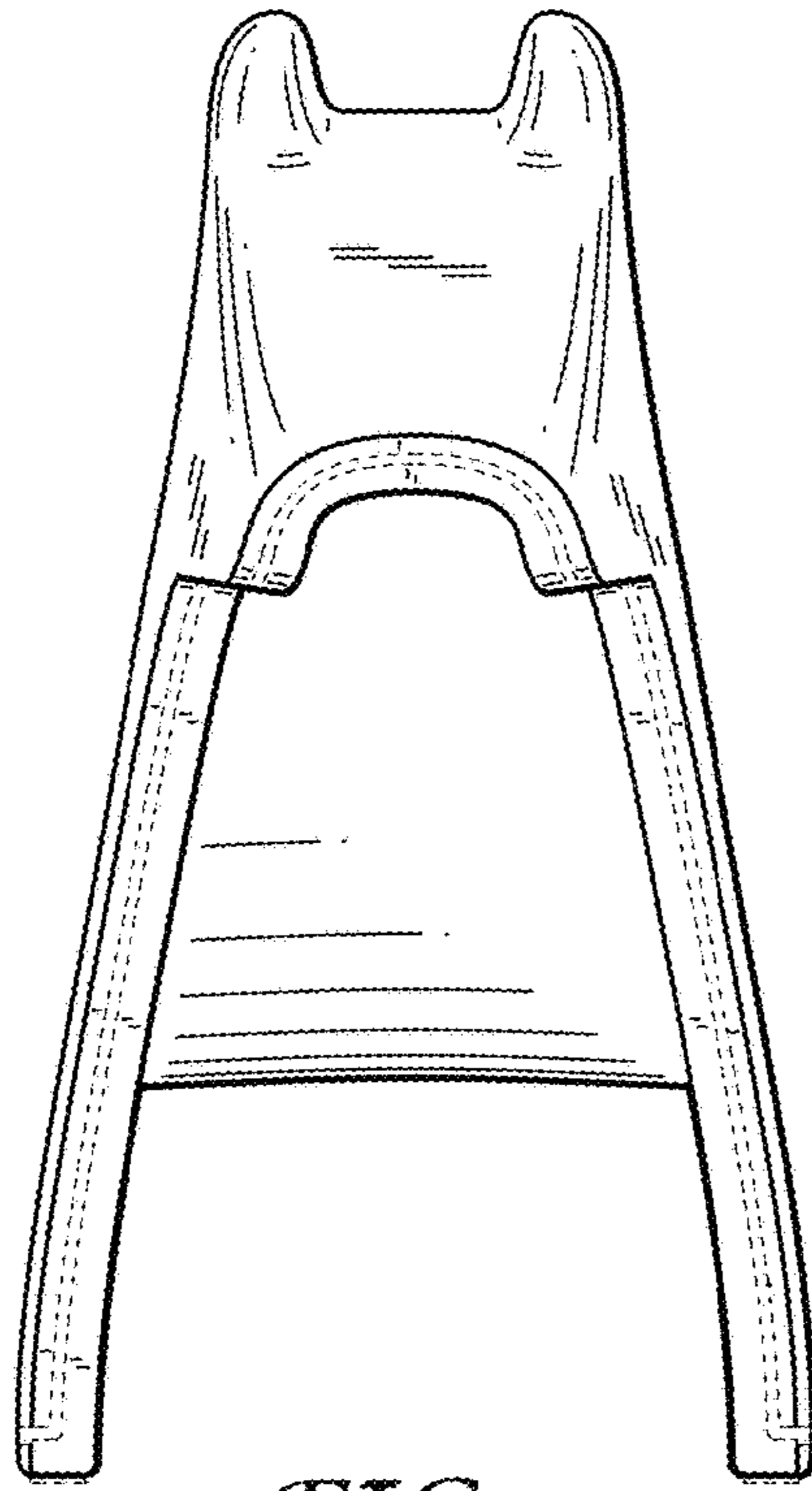
\* cited by examiner



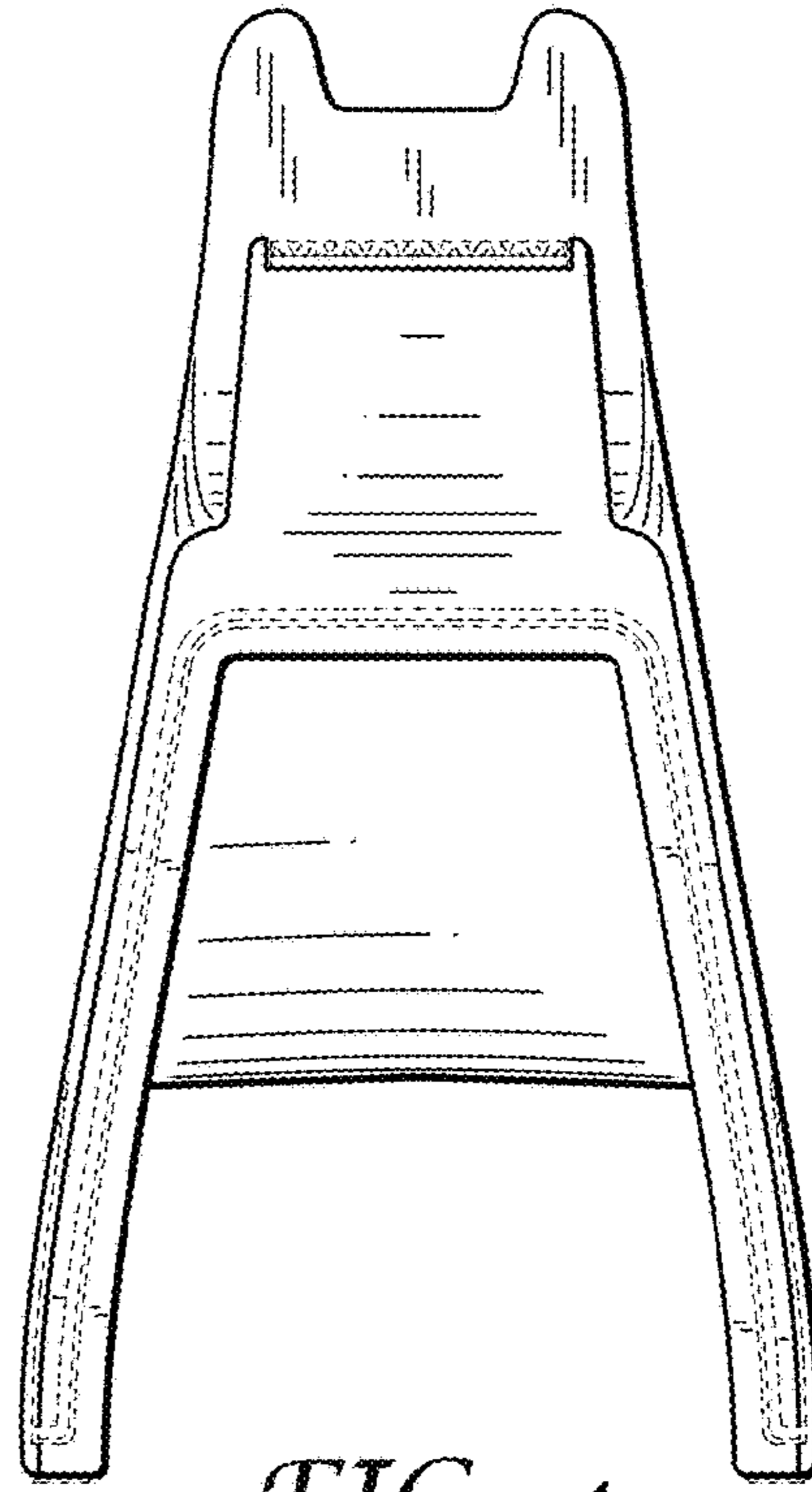
*FIG. 1*



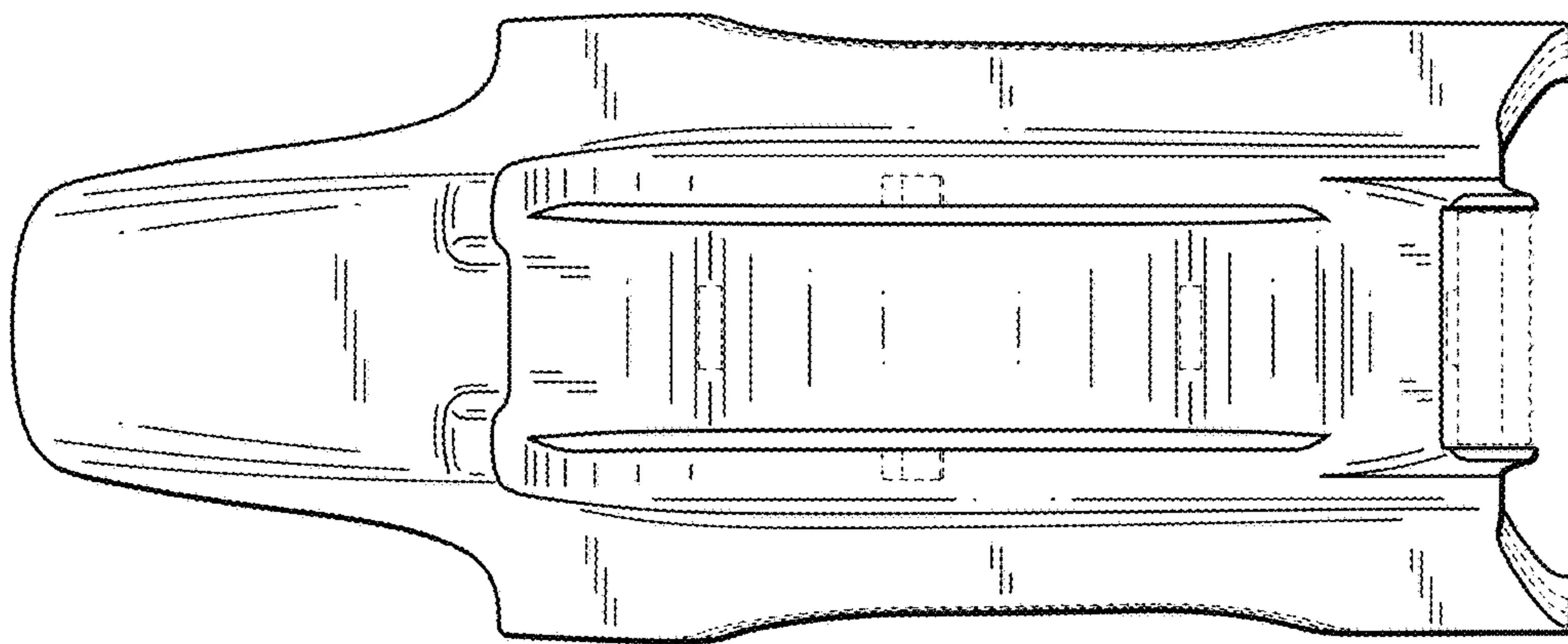
*FIG. 2*



*FIG. 3*

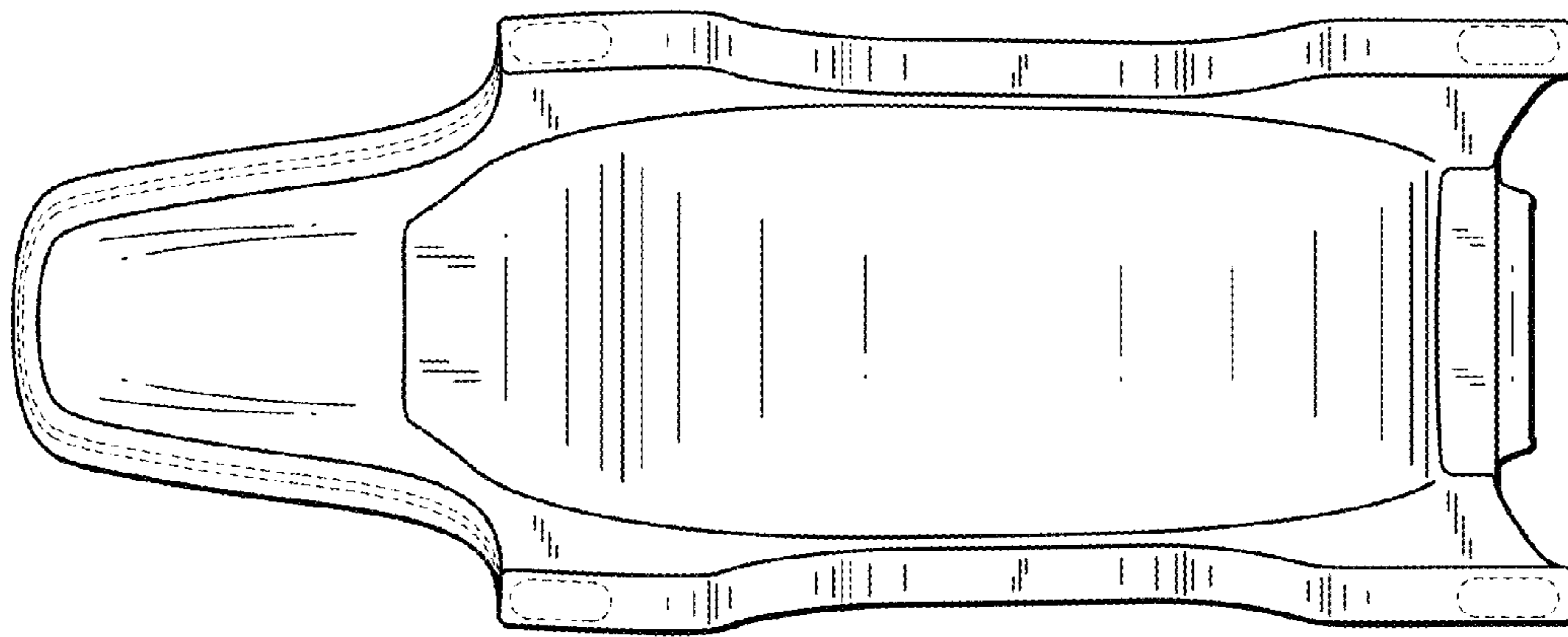


*FIG. 4*

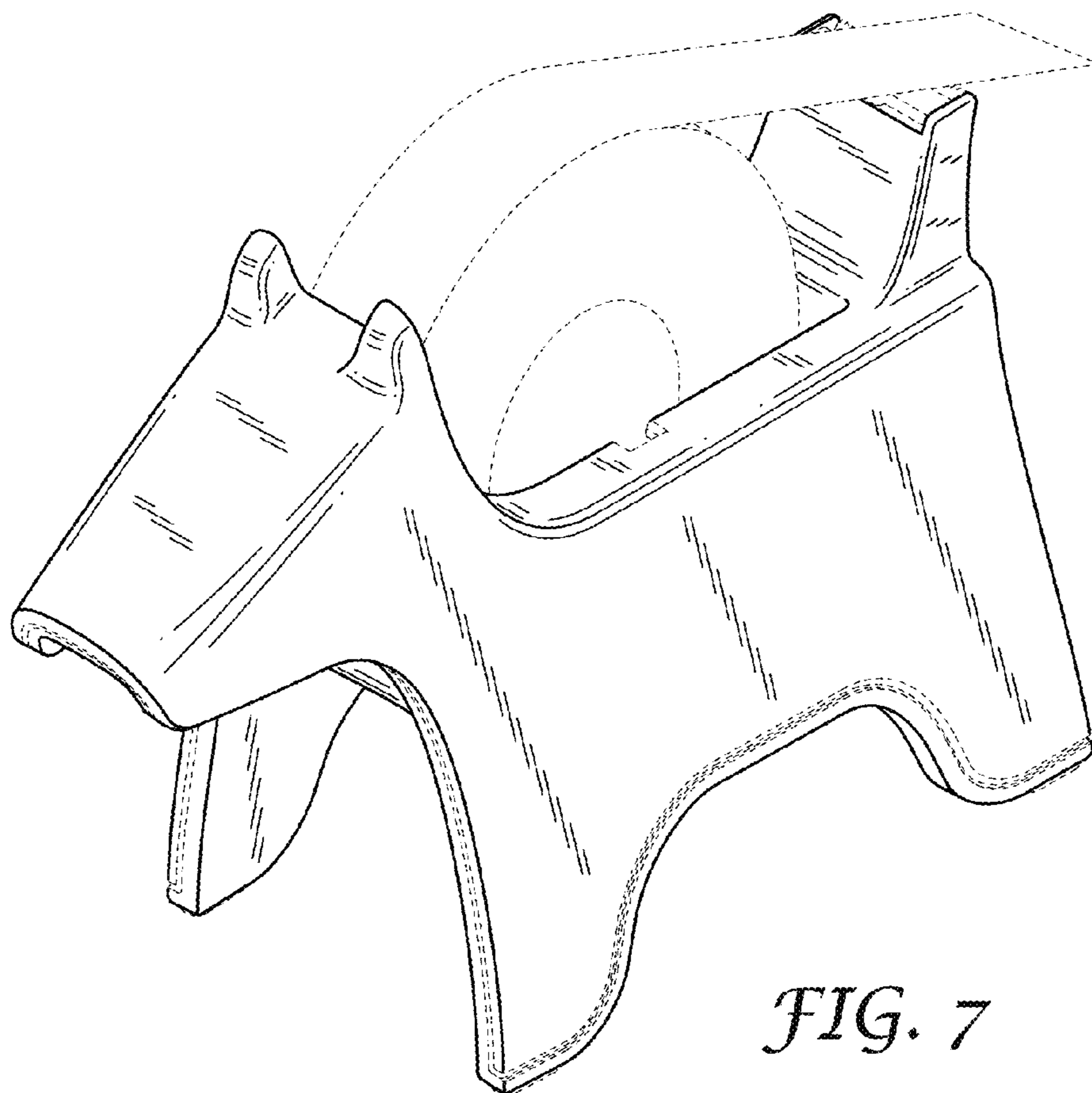


*FIG. 5*





*FIG. 6*



*FIG. 7*