



US00D818535S

(12) **United States Design Patent**
Tashima

(10) **Patent No.:** **US D818,535 S**

(45) **Date of Patent:** **** May 22, 2018**

(54) **PRINTER**

(71) Applicant: **BROTHER INDUSTRIES, LTD.**,
Nagoya-shi, Aichi-ken (JP)

(72) Inventor: **Kazuhisa Tashima**, Nagoya (JP)

(73) Assignee: **BROTHER INDUSTRIES, LTD.**,
Nagoya (JP)

(**) Term: **15 Years**

(21) Appl. No.: **29/580,958**

(22) Filed: **Oct. 14, 2016**

(30) **Foreign Application Priority Data**

Apr. 14, 2016 (JP) 2016-8261

(51) **LOC (11) Cl.** **18-02**

(52) **U.S. Cl.**
USPC **D18/56**

(58) **Field of Classification Search**

USPC ... D18/34.1, 34.3–34.6, 34.9, 38–41, 44, 47,
D18/48, 49, 53, 54, 54.1, 55, 56, 59;
D14/302, 303, 332, 441, 447, 463, 468
CPC B41J 2/01; B41J 2/17553; B41J 2/1752;
B41J 3/00; B41J 3/4075; B41J 11/58;
B65B 3/027

See application file for complete search history.

(56) **References Cited**

U.S. PATENT DOCUMENTS

D286,639 S * 11/1986 Strand D18/55
D291,094 S * 7/1987 Nakade D18/55
D299,355 S * 1/1989 Kosako D18/39
D304,186 S * 10/1989 Kojima D14/464
D321,005 S * 10/1991 Hiroki D18/36
D331,580 S * 12/1992 Sakaue D14/463
D435,858 S * 1/2001 Hatanaka D18/39

D449,306 S * 10/2001 Jean D14/441
D468,765 S * 1/2003 Kobayashi D18/55
D528,587 S * 9/2006 Nakaeda D18/19
D622,760 S * 8/2010 Kimura D18/50
D641,778 S * 7/2011 Lee D14/421
D643,464 S * 8/2011 Sato D18/55
D660,349 S * 5/2012 Hiraguchi D18/50
D667,017 S * 9/2012 Tani D14/463
D667,872 S * 9/2012 Suzuki D18/50
D686,275 S * 7/2013 Nakazawa D18/50
D761,902 S * 7/2016 Matsumoto D18/50
D761,904 S * 7/2016 Matsumoto D18/50
2017/0253027 A1 * 9/2017 Kanda B41J 2/04536

* cited by examiner

Primary Examiner — Garth Rademaker

Assistant Examiner — Richard Kearney

(74) *Attorney, Agent, or Firm* — Oliff PLC

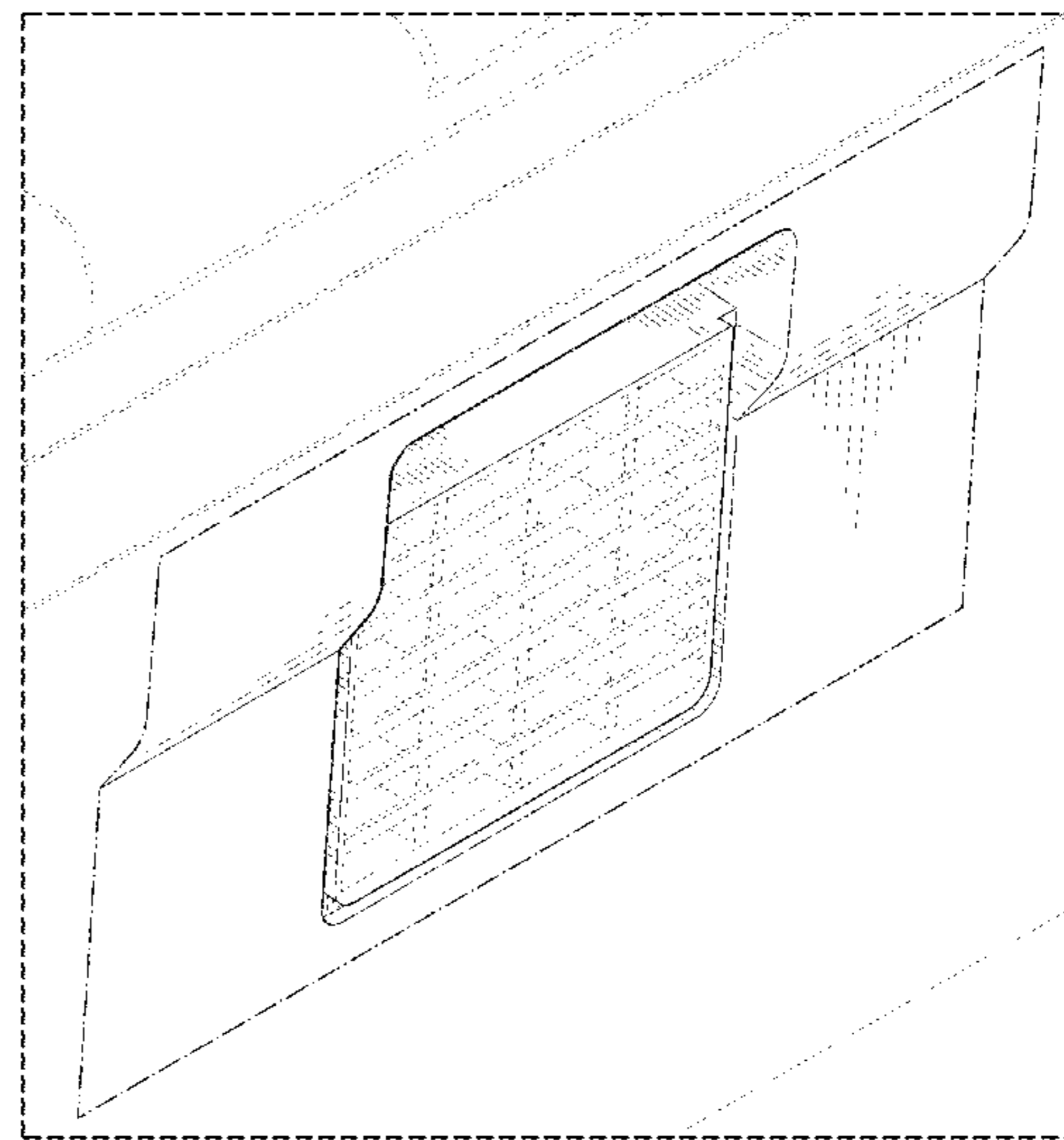
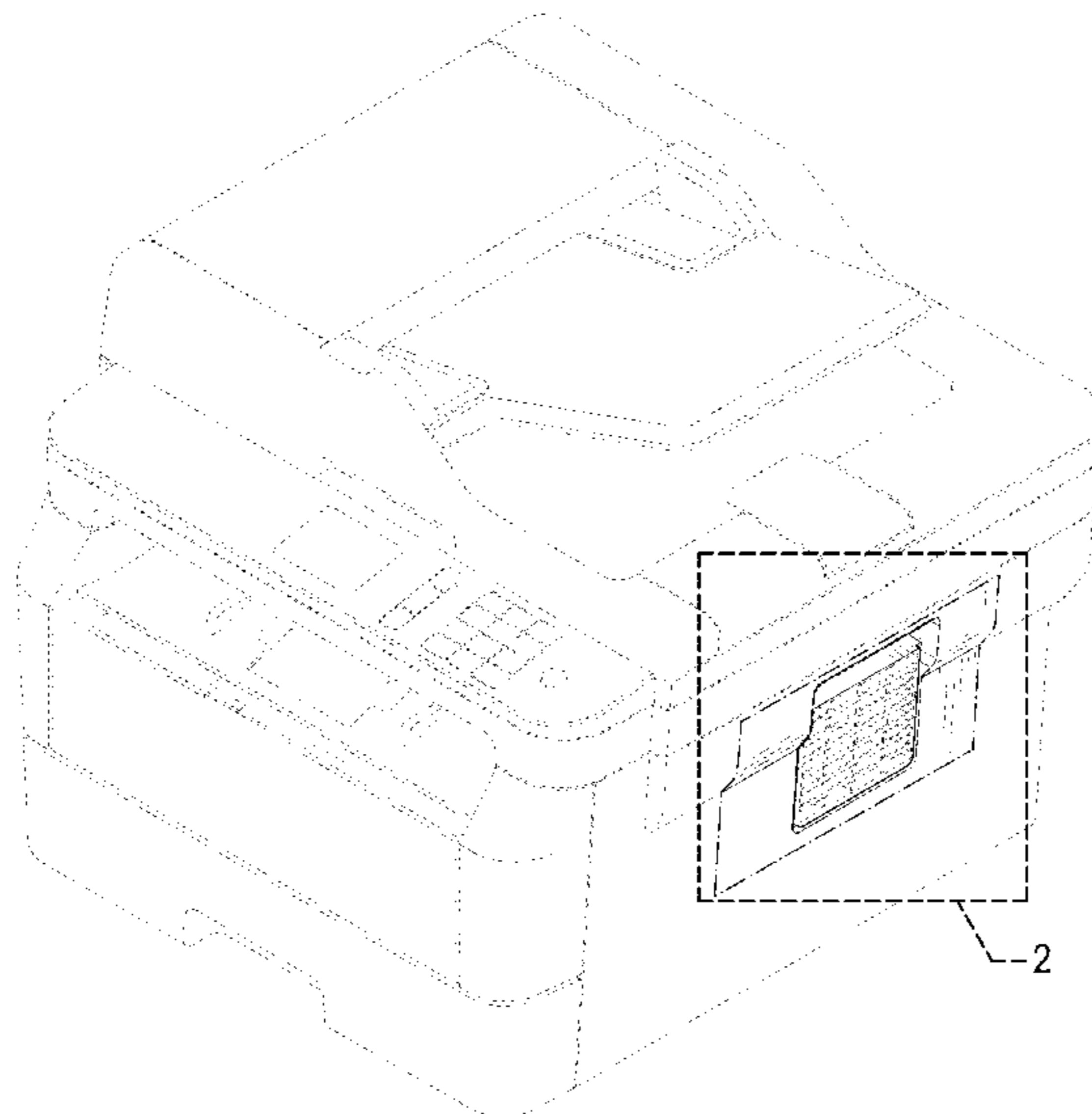
(57) **CLAIM**

The ornamental design for a printer, as shown and described.

DESCRIPTION

FIG. 1 is a perspective view of a printer;
FIG. 2 is an enlarged view of section 2 in FIG. 1;
FIG. 3 is a right-side view of FIG. 1;
FIG. 4 is an enlarged view of section 4 in FIG. 3;
FIG. 5 is a cross-sectional view taken along line 5-5 in FIG. 4;
FIG. 6 is a bottom view of FIG. 1;
FIG. 7 is an enlarged view of section 7 in FIG. 6; and,
FIG. 8 is another enlarged perspective view of FIG. 2.
The broken lines shown in the drawings illustrate portions of the printer that form no part of the claimed design. The dot-dash chain lines depict a boundary of the claimed subject matter and form no part of the claimed design. The darker broken lines shown in the drawings that demarcate portions of the printer indicate the section shown in the enlarged views and form no part of the claimed design.

1 Claim, 8 Drawing Sheets



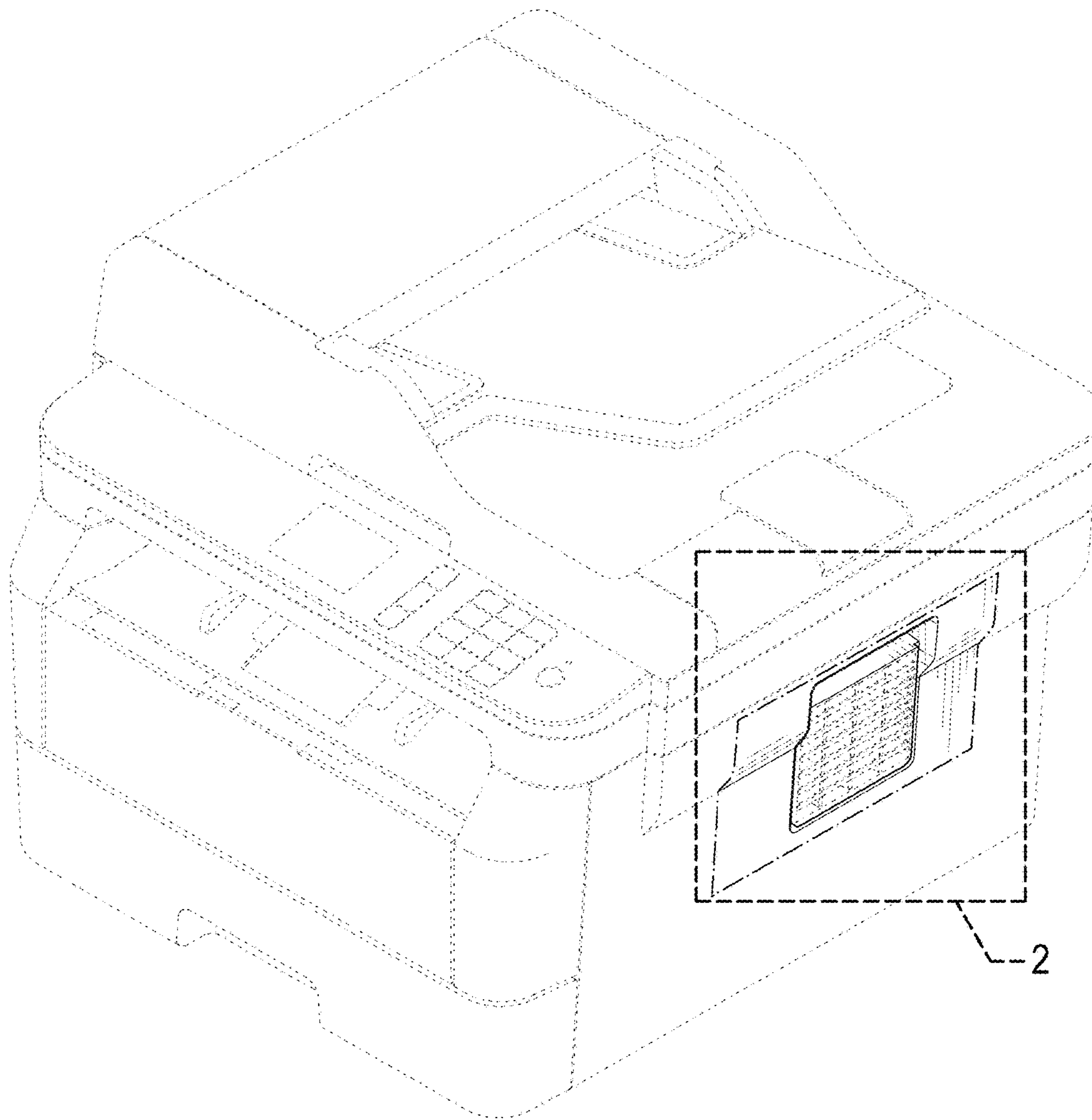


FIG. 1

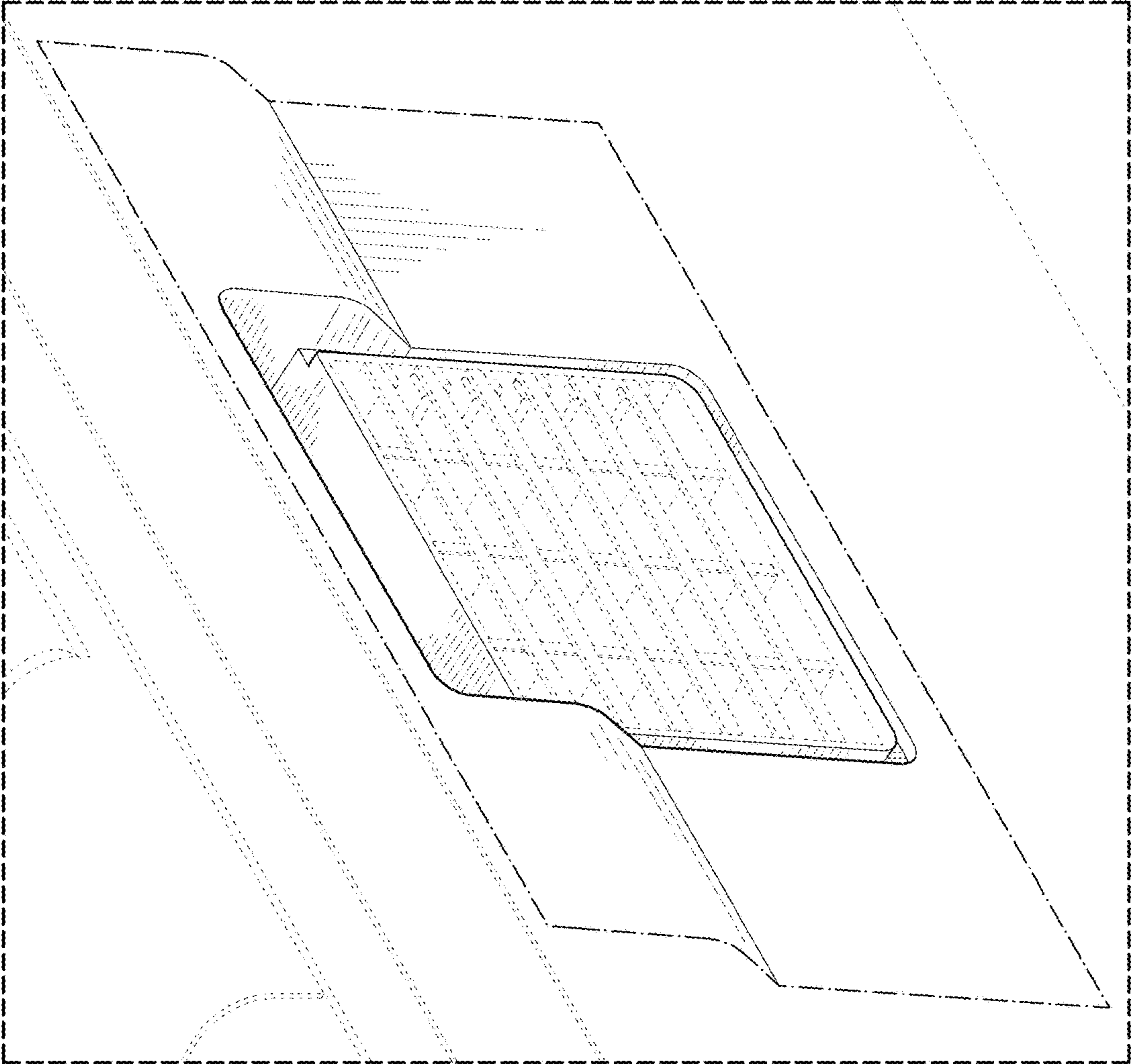


FIG. 2

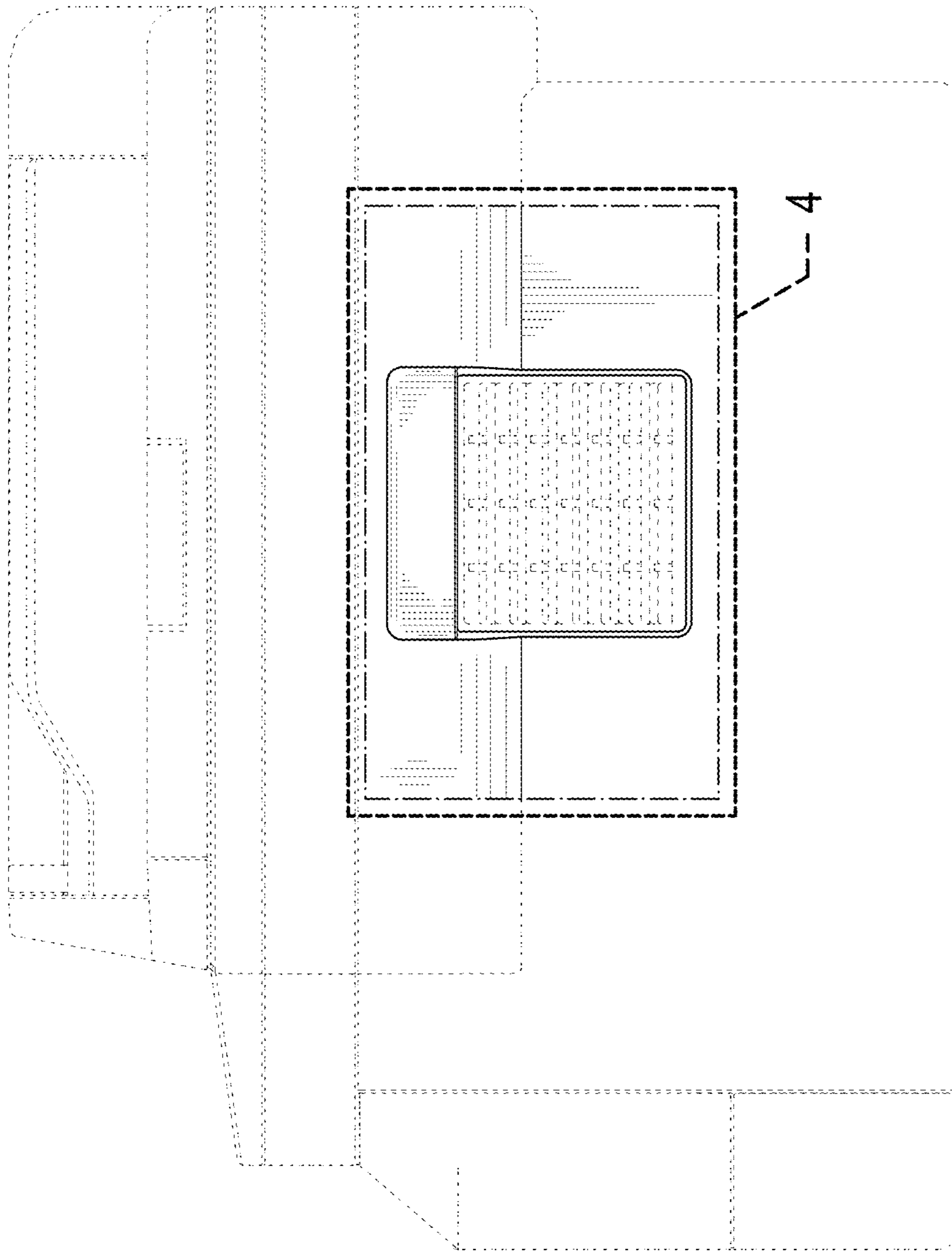


FIG. 3

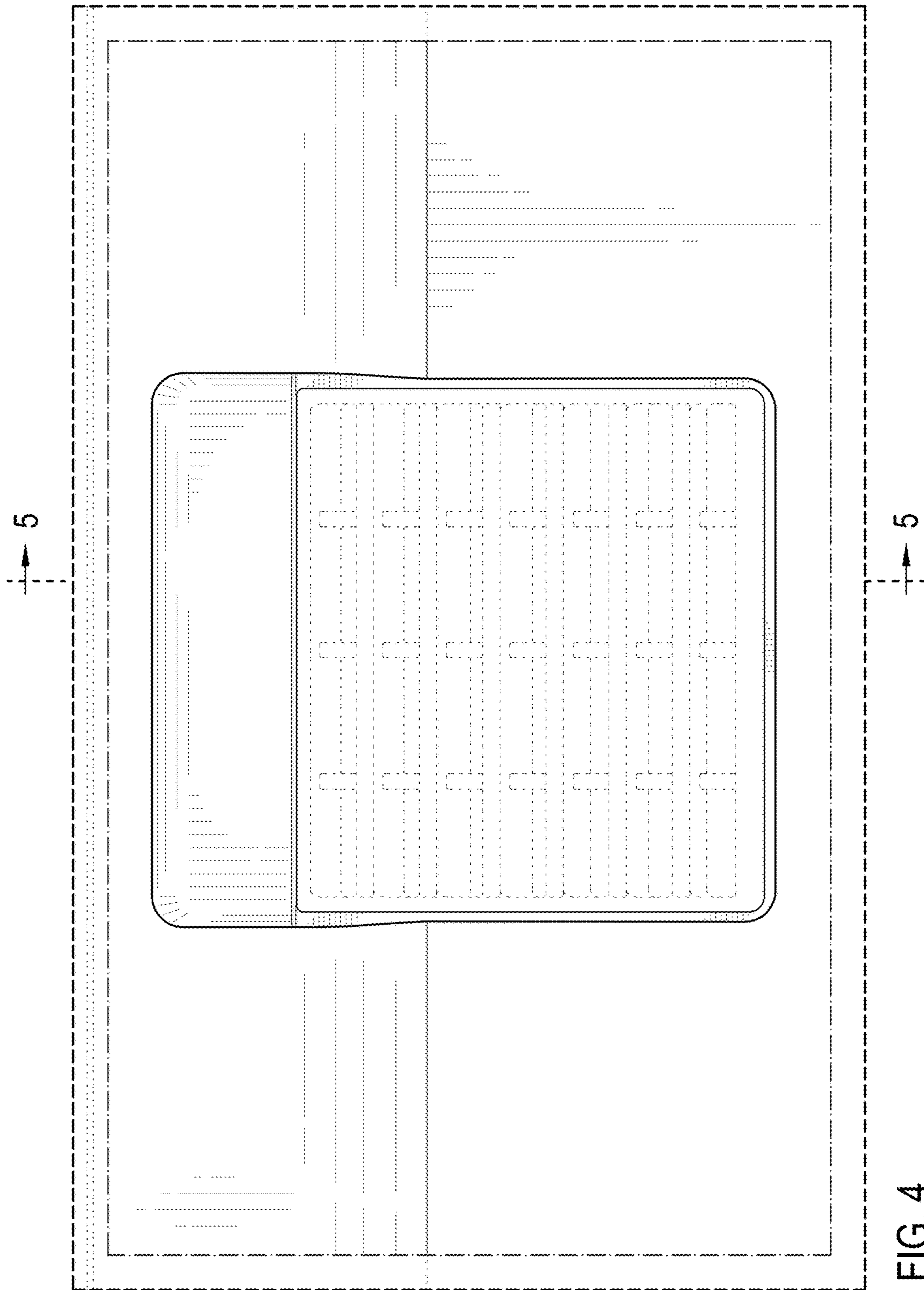


FIG. 4

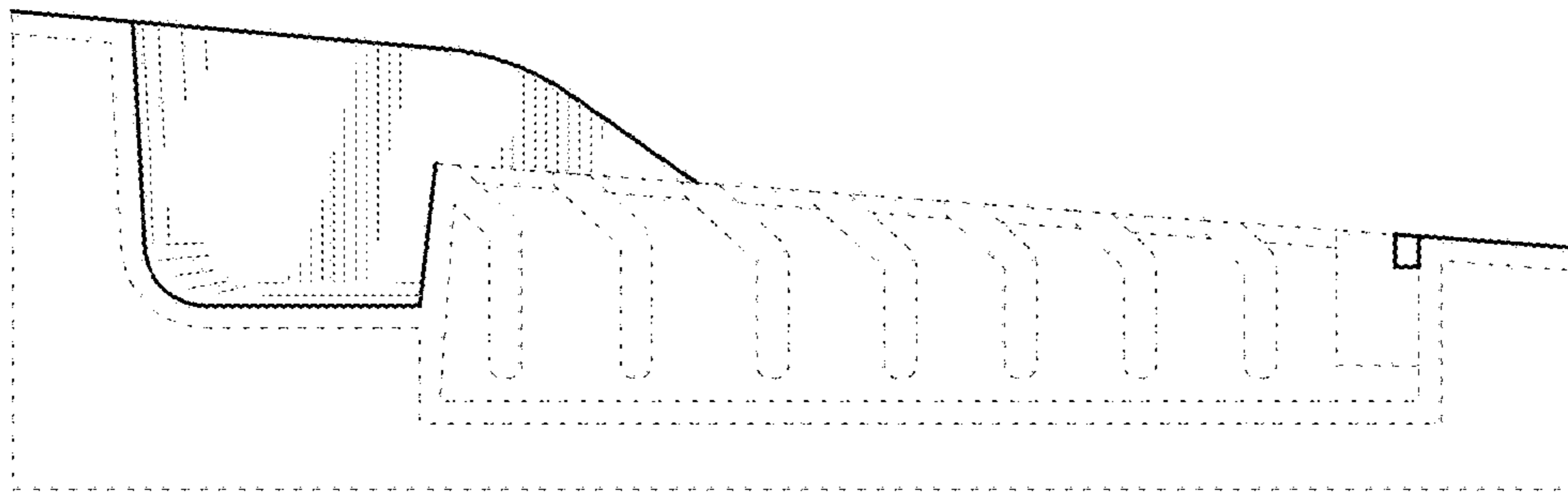


FIG. 5

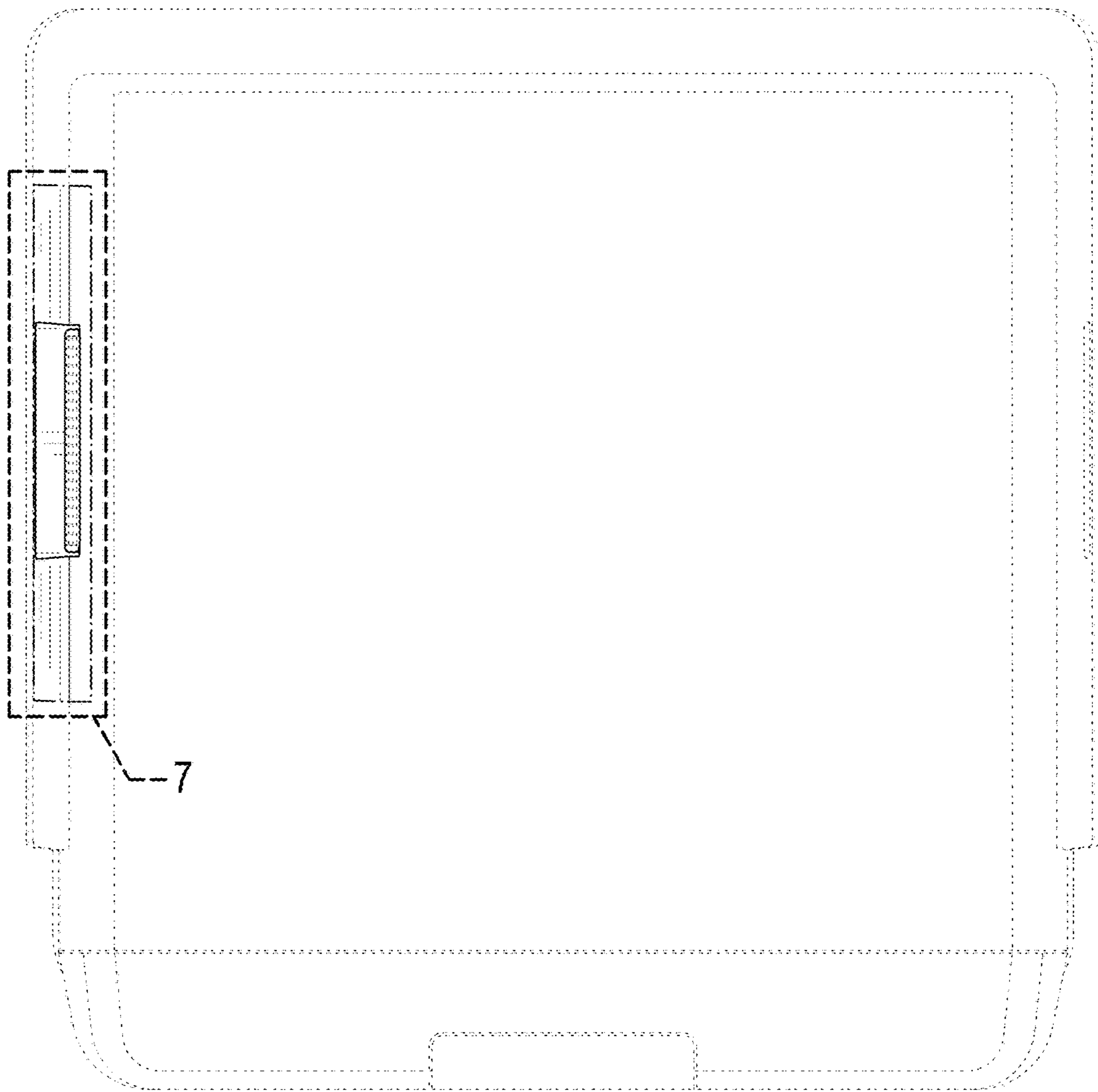
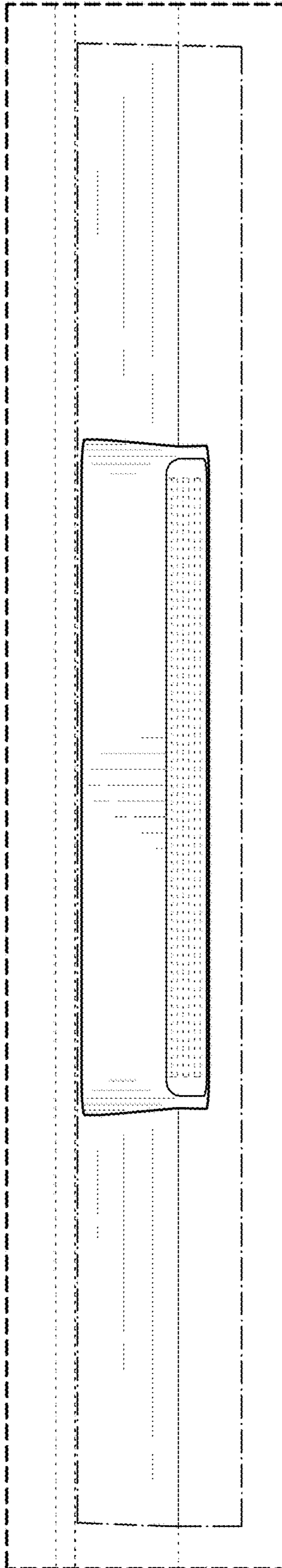


FIG. 6

FIG. 7



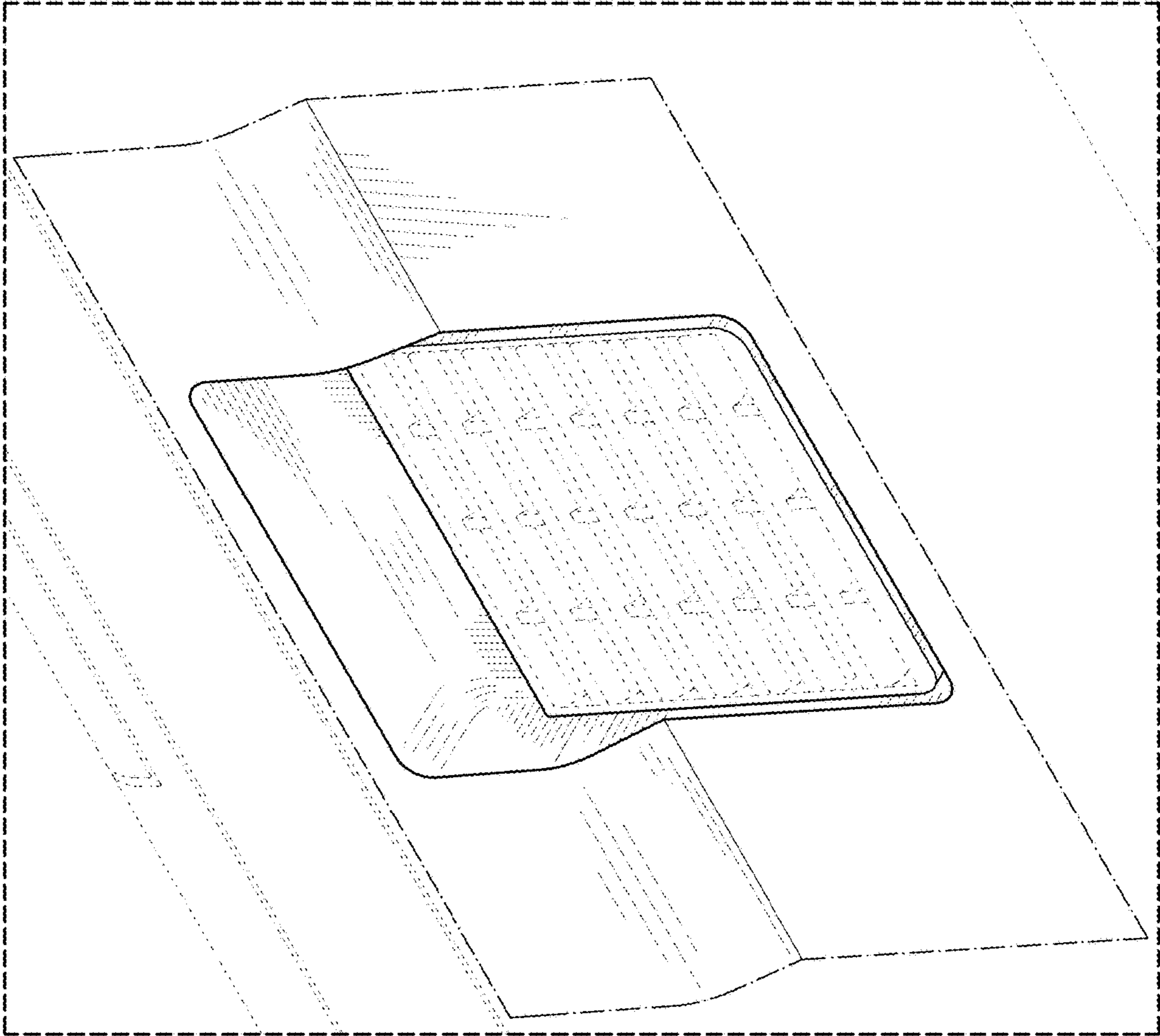


FIG. 8