



US00D818532S

(12) **United States Design Patent** (10) **Patent No.:** **US D818,532 S**
Sato et al. (45) **Date of Patent:** **** May 22, 2018**

(54) **PRINTER**

(71) Applicant: **BROTHER INDUSTRIES, LTD.**,
Nagoya-shi, Aichi-ken (JP)

(72) Inventors: **Yukihiko Sato**, Nagoya (JP); **Yusaku Seki**, Nagoya (JP); **Hikomitsu Tanaka**, Nagoya (JP)

(73) Assignee: **BROTHER INDUSTRIES, LTD.**,
Nagoya (JP)

(**) Term: **15 Years**

(21) Appl. No.: **29/541,069**

(22) Filed: **Sep. 30, 2015**

(30) **Foreign Application Priority Data**

Mar. 30, 2015 (JP) 2015-6796

(51) **LOC (11) Cl.** **14-02**

(52) **U.S. Cl.**
USPC **D18/55**

(58) **Field of Classification Search**
USPC D18/50, 54, 54.1, 55, 36-39;
D14/420-425
CPC ... B41J 3/36; B41J 3/4075; B41J 11/58; B41J
13/00; B41J 15/00; B41J 15/02; B41J
15/042; B41J 17/00; B41J 29/00; B41J
29/02; B41J 29/08; B41J 29/13; G06F
3/12; G06K 15/14

See application file for complete search history.

(56) **References Cited**

U.S. PATENT DOCUMENTS

D558,823 S *	1/2008	Alfonso	D18/55
D561,251 S	2/2008	Tjin Wong Joe et al.		
D611,091 S	3/2010	Ishikawa et al.		
D660,351 S	5/2012	Larson et al.		
D665,013 S *	8/2012	Ishikawa	D18/50
D667,017 S *	9/2012	Tani	D14/463
D680,581 S	4/2013	Nakata et al.		
D720,754 S *	1/2015	Chin	D14/422
D765,080 S *	8/2016	Su	D18/50

* cited by examiner

Primary Examiner — Cathy Anne MacCormac

(74) *Attorney, Agent, or Firm* — Oliff PLC

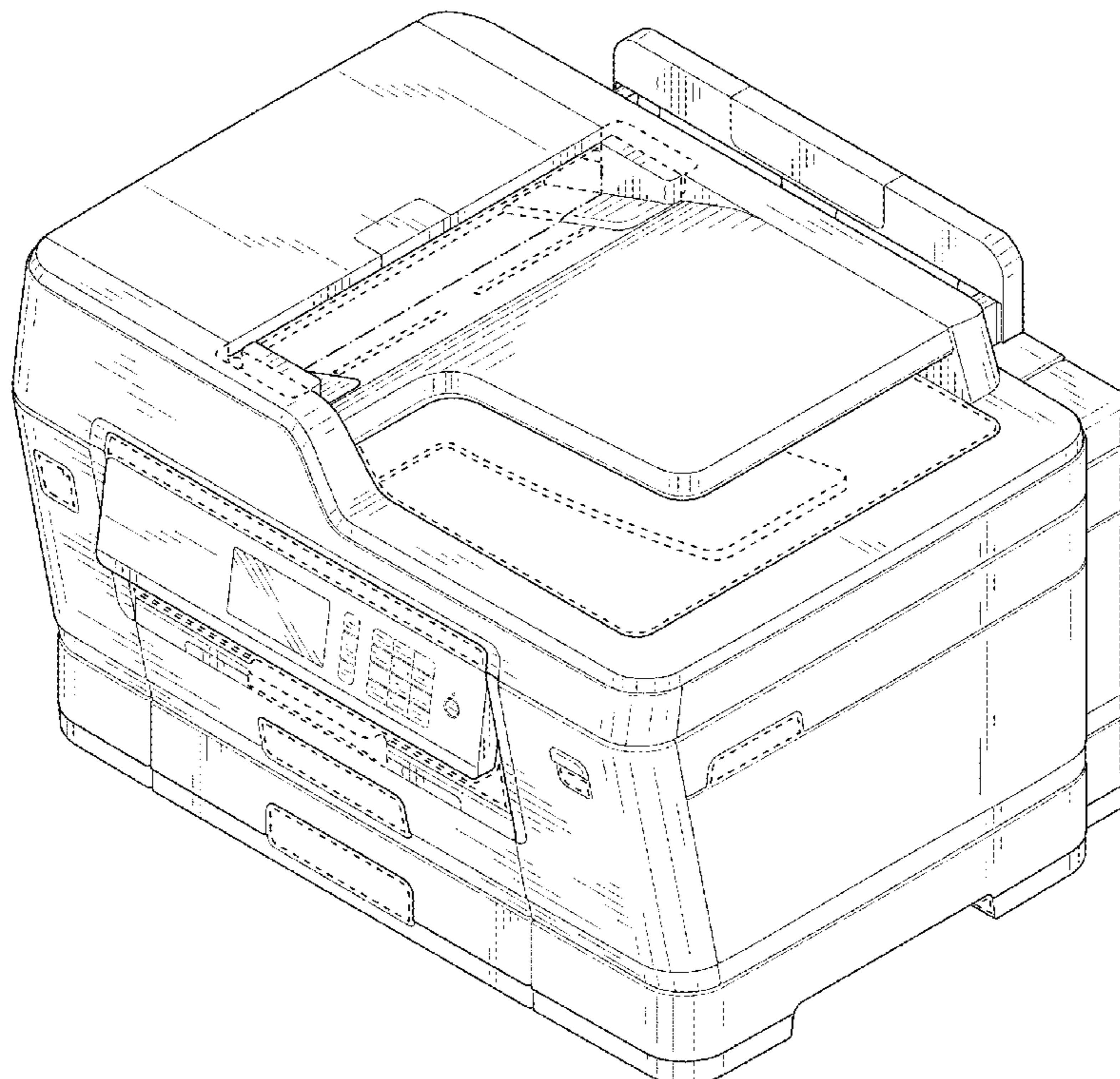
(57) **CLAIM**

The ornamental design for a printer, as shown and described.

DESCRIPTION

FIG. 1 is a perspective view of a printer;
 FIG. 2 is a front view thereof;
 FIG. 3 is a top view thereof;
 FIG. 4 is a right-side view thereof;
 FIG. 5 is a left-side view thereof;
 FIG. 6 is a rear view thereof; and,
 FIG. 7 is a bottom view thereof.
 The evenly spaced broken lines depict environmental subject matter only and form no part of the claimed design.

1 Claim, 7 Drawing Sheets



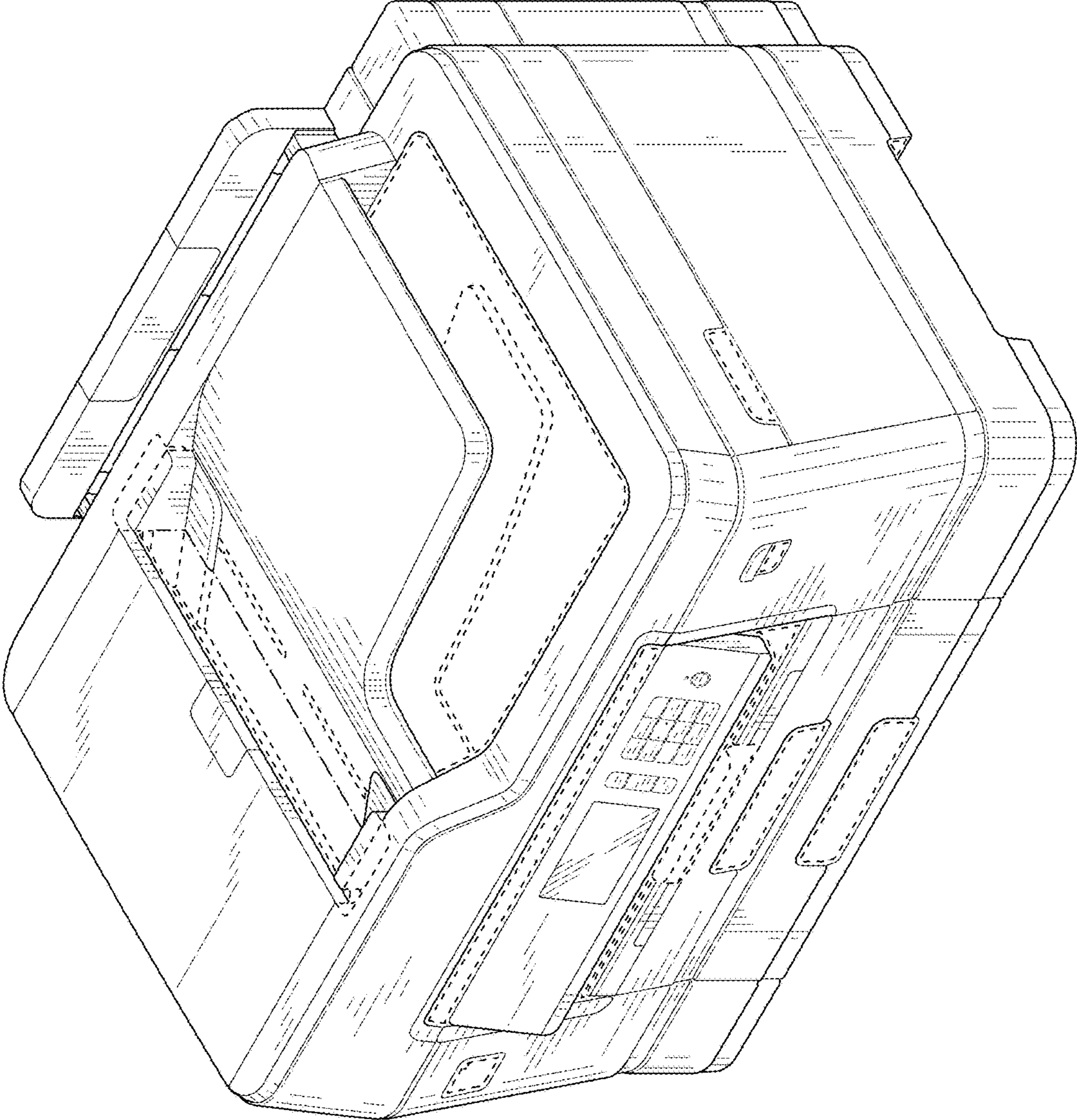


FIG. 1

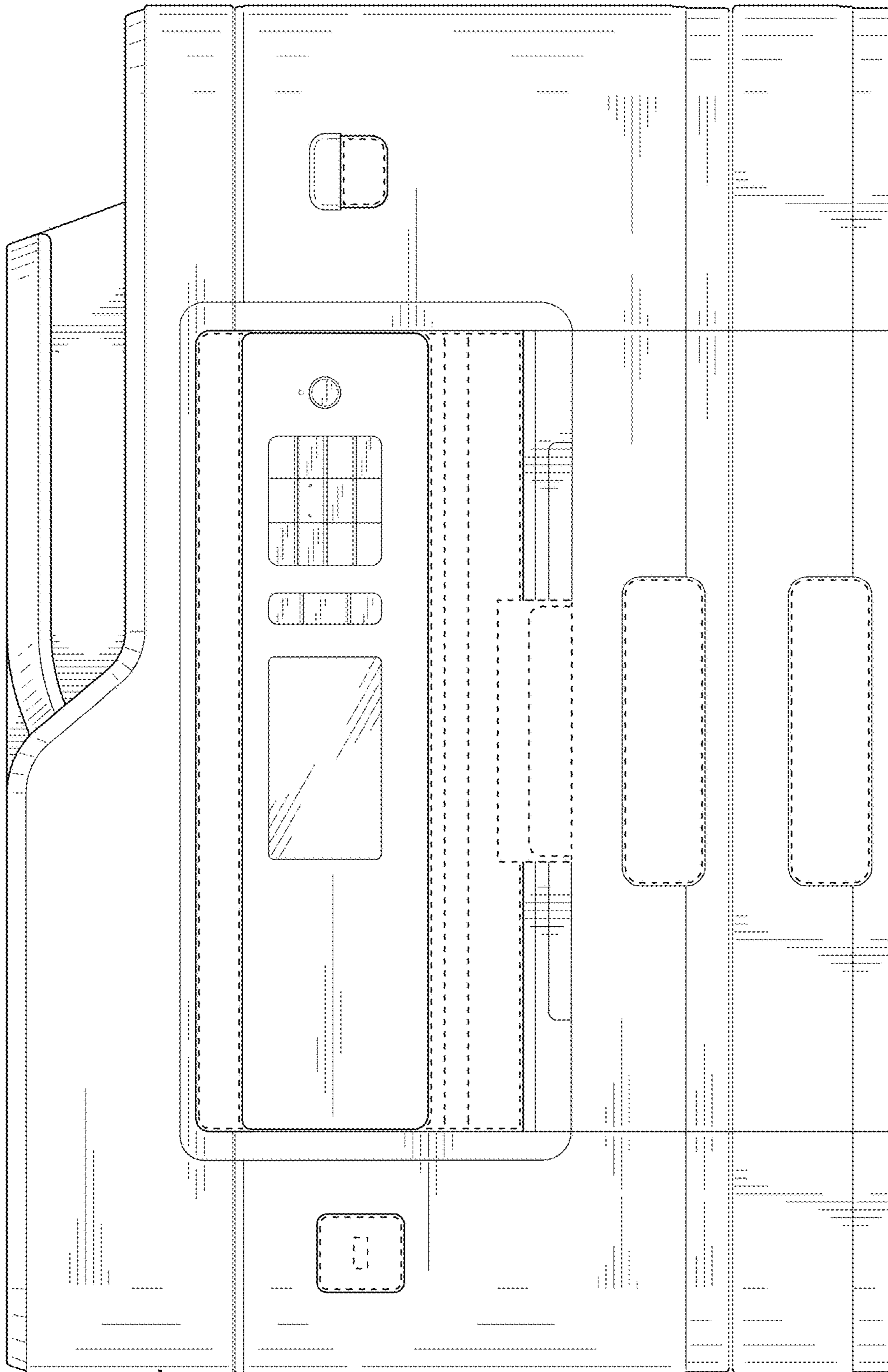


FIG. 2

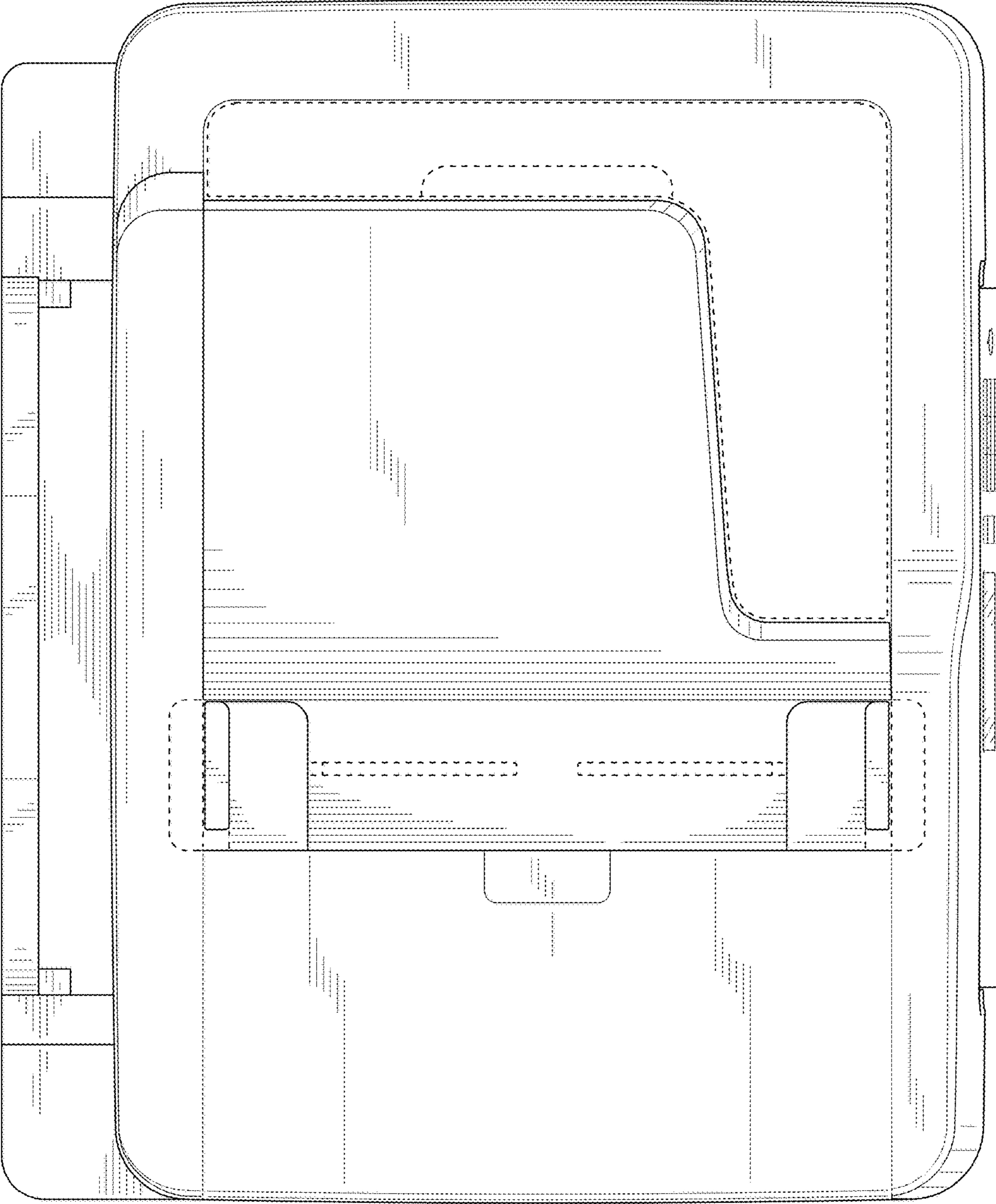


FIG. 3

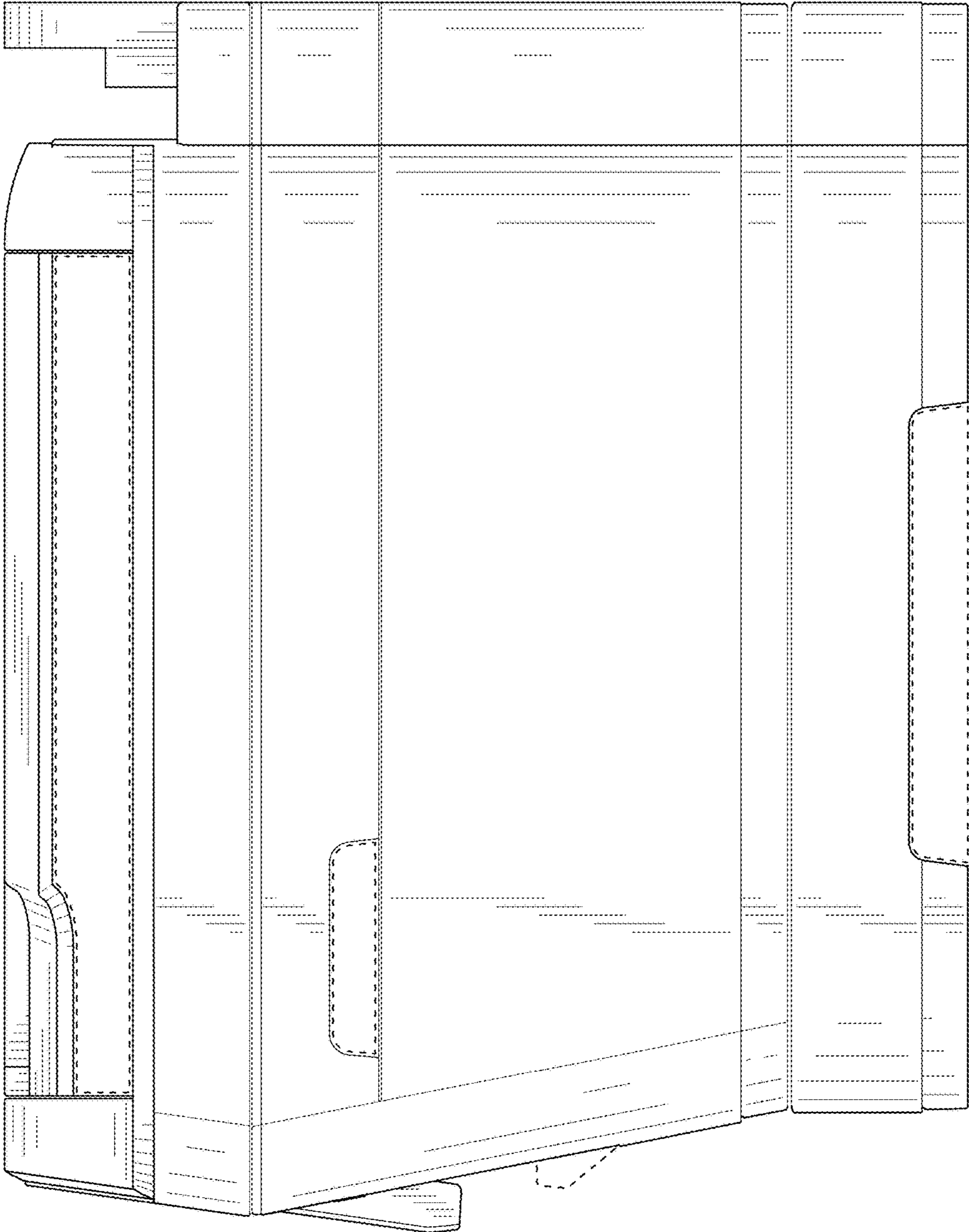


FIG. 4

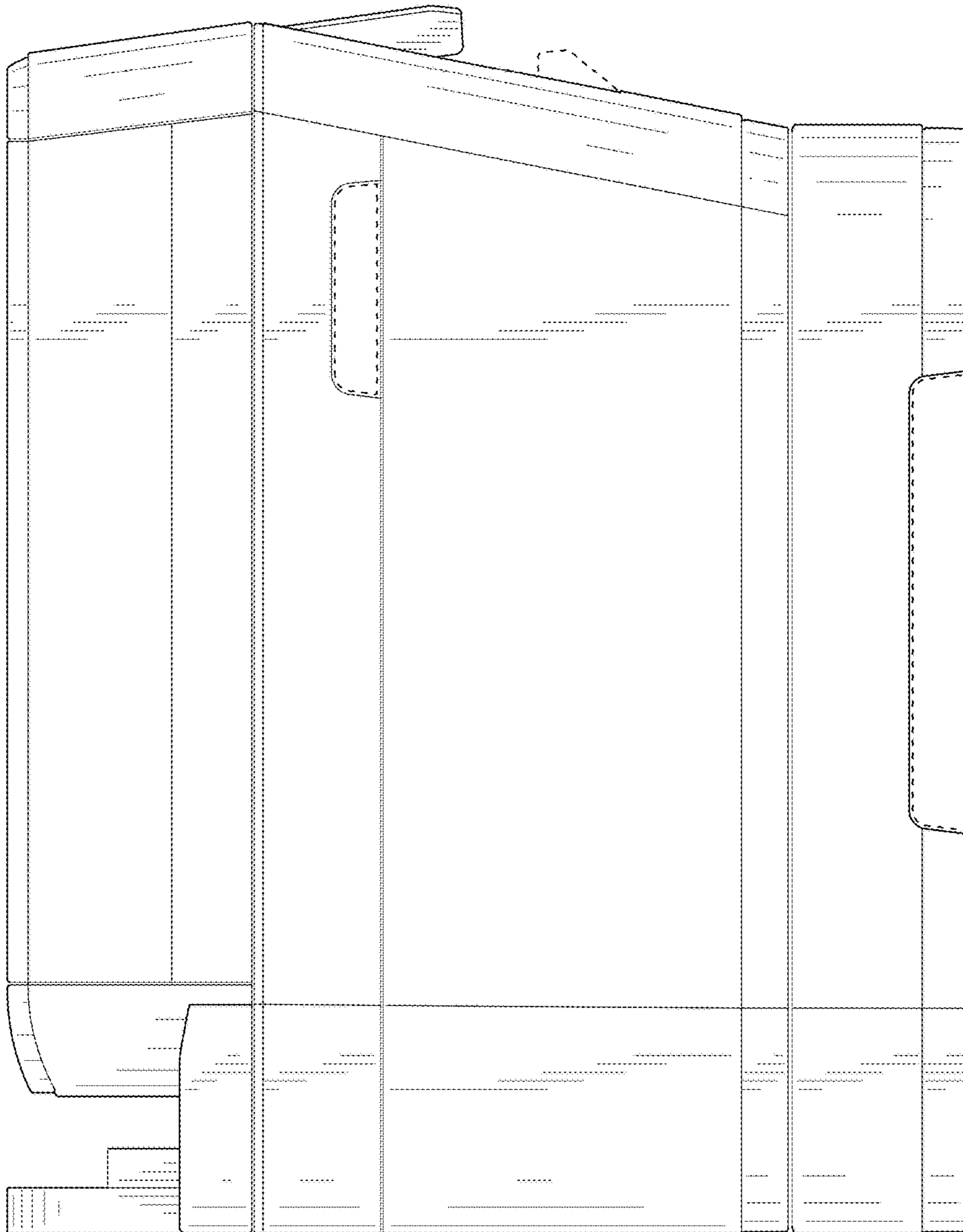


FIG. 5

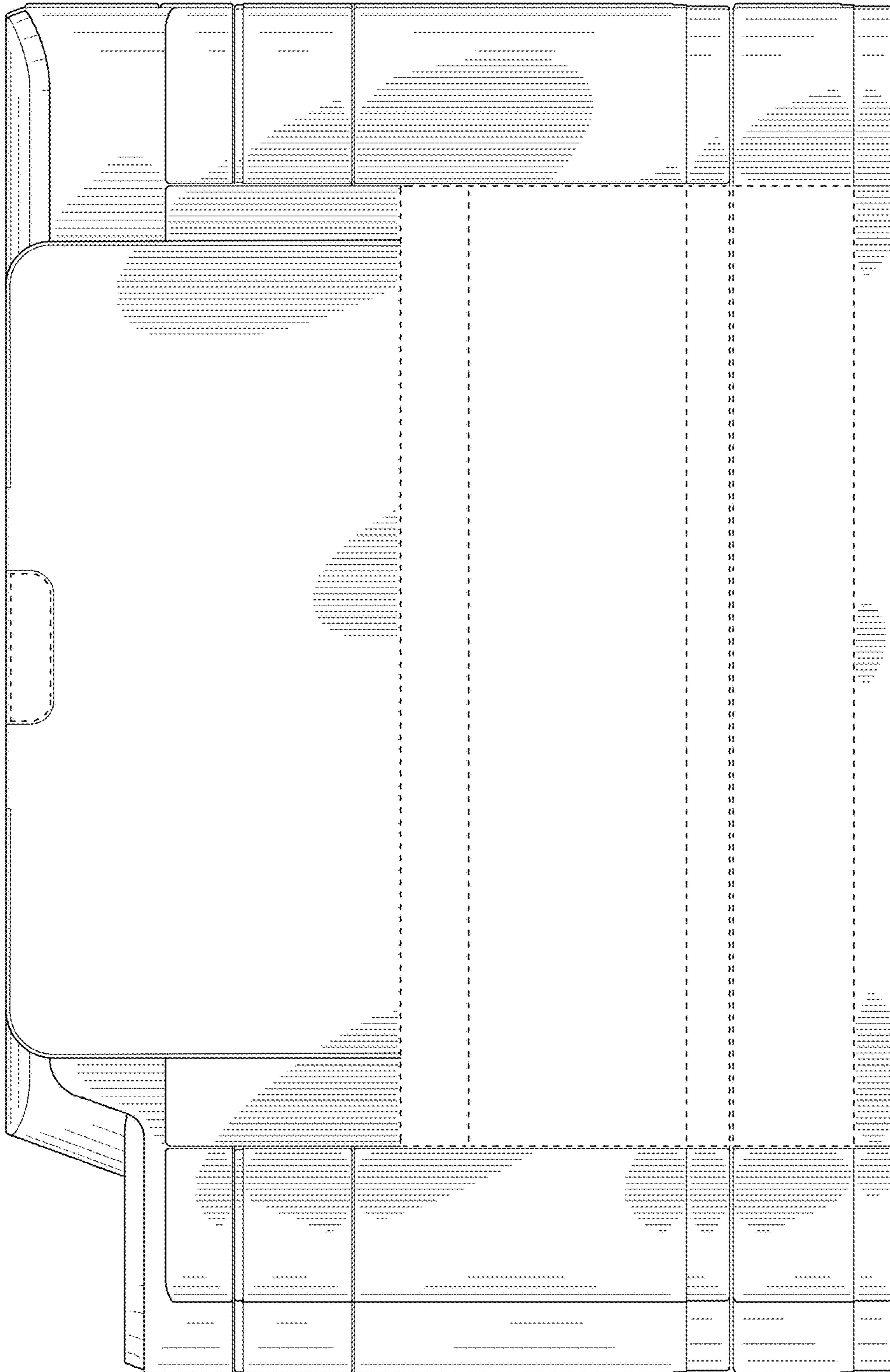


FIG. 6

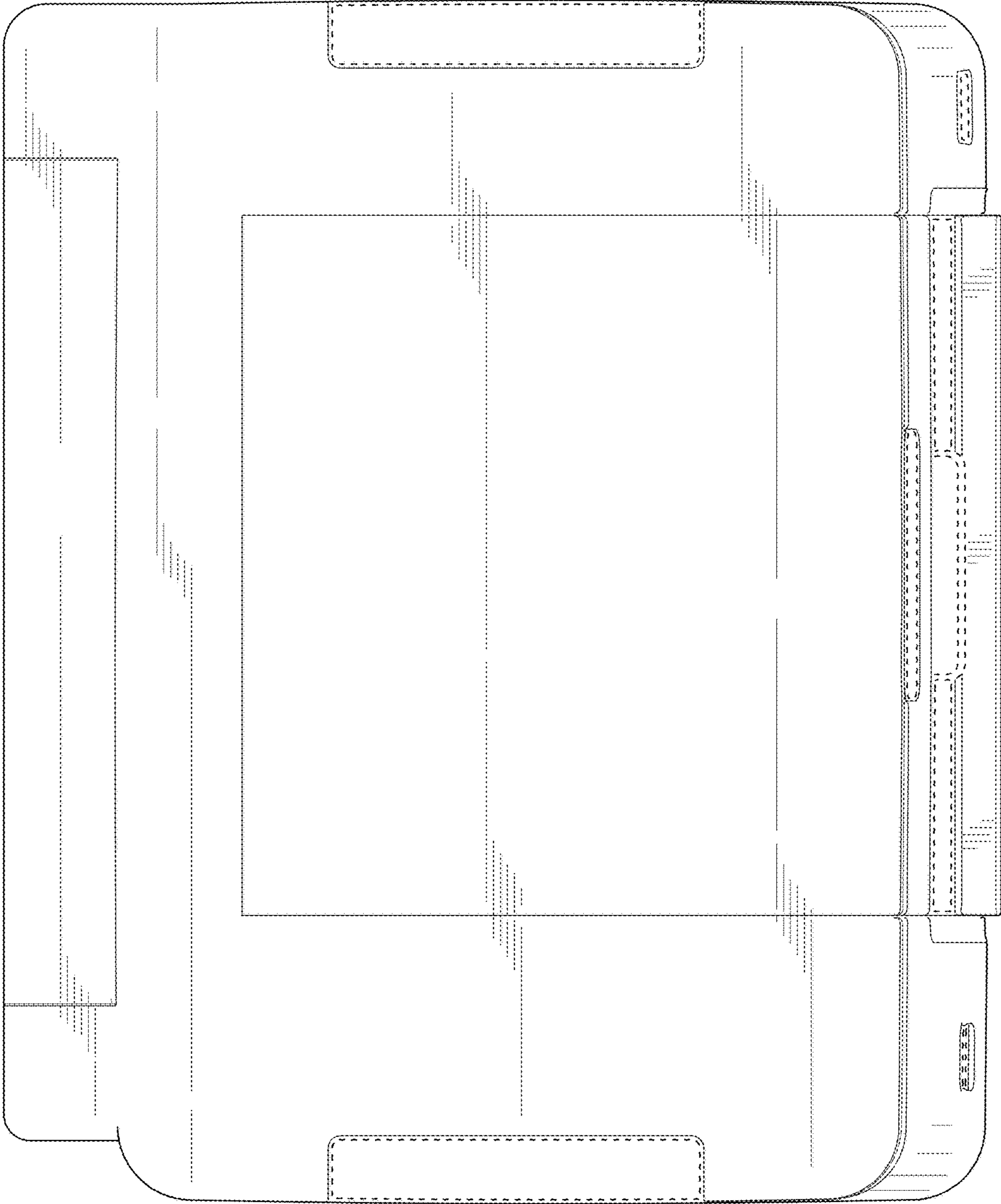


FIG. 7