



US00D818530S

(12) **United States Design Patent** (10) **Patent No.:** **US D818,530 S**
Yeruva et al. (45) **Date of Patent:** **** May 22, 2018**

(54) **PRINTER**

(71) Applicant: **Clover Network, Inc.**, Sunnyvale, CA (US)

(72) Inventors: **Siva Raja Sekhar Reddy Yeruva**, Menlo Park, CA (US); **Sam Niansheng Qiu**, Palo Alto, CA (US); **David Frederick Lyons**, Palo Alto, CA (US); **Christopher Loew**, Palo Alto, CA (US); **Eric David Fuhs**, Sunnyvale, CA (US); **John Daniel Beatty**, Emerald Hills, CA (US); **Leonard Robert Speiser**, Los Altos, CA (US)

(73) Assignee: **Clover Network, Inc.**, Sunnyvale, CA (US)

(**) Term: **15 Years**

(21) Appl. No.: **29/590,930**

(22) Filed: **Jan. 13, 2017**

(51) **LOC (11) Cl.** **18-02**

(52) **U.S. Cl.**
USPC **D18/50**

(58) **Field of Classification Search**
USPC D18/50, 55, 36-37, 39, 99; D14/308, D14/314, 362, 365, 440
CPC G06K 15/12; G06K 15/14; B41J 11/58; B41J 15/12; B41J 15/042
See application file for complete search history.

(56) **References Cited**

U.S. PATENT DOCUMENTS

D294,405 S * 2/1988 Man Yau D18/50
D303,987 S * 10/1989 Kato D18/54.1
D377,502 S * 1/1997 Mimoto D18/54

D581,456 S * 11/2008 Whittall D18/50
D616,889 S * 6/2010 Kuroda D14/422
D674,008 S * 1/2013 Miller D18/50
D694,317 S * 11/2013 Nakagawa D18/19
D700,908 S * 3/2014 Taniho D14/422
D701,898 S * 4/2014 Nakata D18/19
D706,341 S * 6/2014 Kano D18/14
D750,163 S * 2/2016 Arima D18/50
D757,162 S * 5/2016 Lyons et al.
D759,158 S * 6/2016 Lee D18/50
D759,748 S * 6/2016 Beatty D18/14
D761,783 S * 7/2016 Kulkarni D14/300
D770,830 S * 11/2016 Eliav D18/50
D778,982 S * 2/2017 Beatty D18/4.5
2015/0202901 A1 * 7/2015 Tomomatsu B41J 11/42
347/218
2017/0072718 A1 * 3/2017 Watanabe B41J 15/042
2017/0144458 A1 * 5/2017 Nihashi B41J 11/58

* cited by examiner

Primary Examiner — Robin V Webster

Assistant Examiner — James C Thorn, Sr.

(74) *Attorney, Agent, or Firm* — Daylight Law, P.C.

(57) **CLAIM**

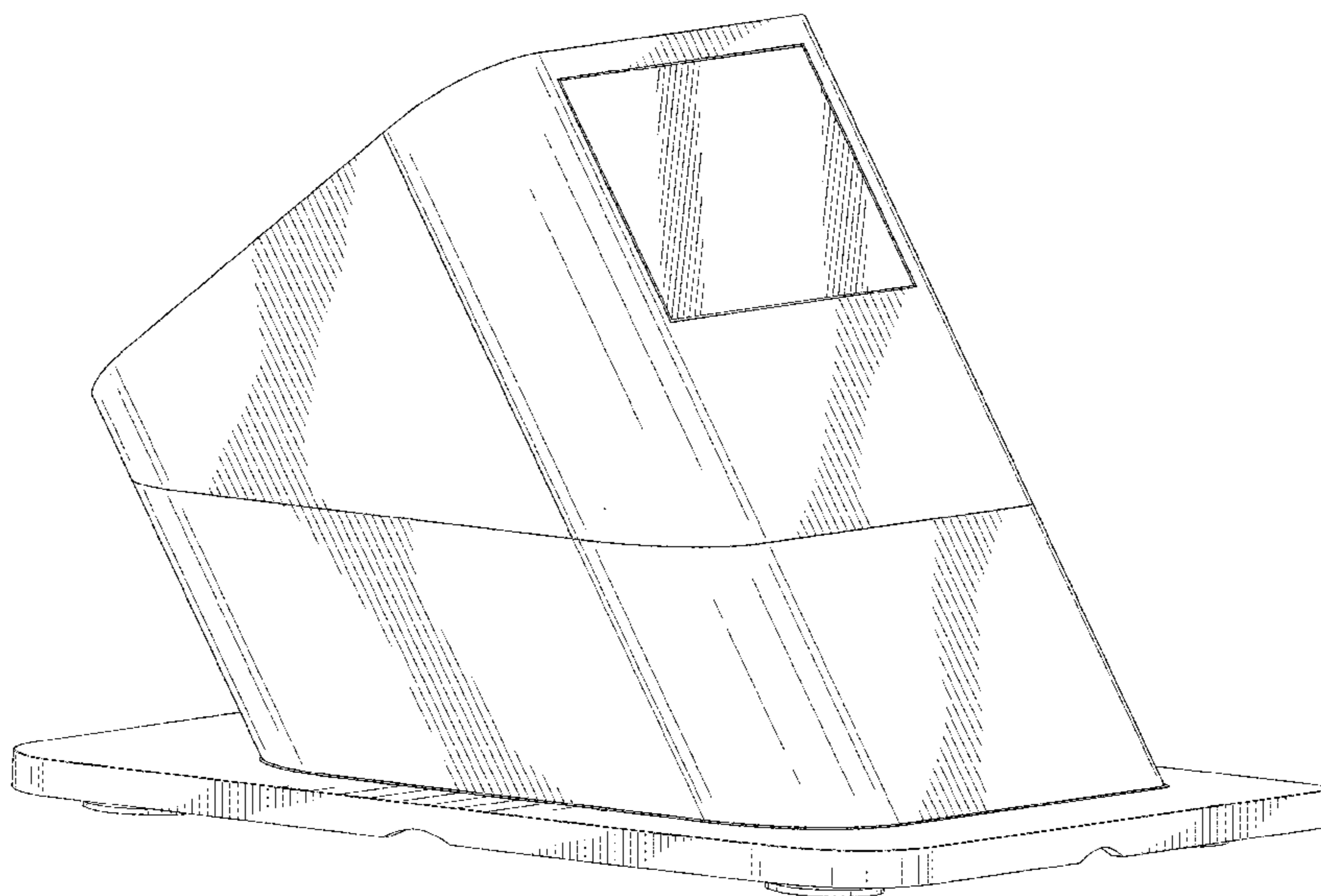
The ornamental design for a printer, as shown and described.

DESCRIPTION

FIG. 1 shows a perspective view of a design for a printer; FIG. 2 shows a front view of the design; FIG. 3 shows a rear view of the design; FIG. 4 shows a left side view of the design; FIG. 5 shows a right side view of the design; FIG. 6 shows a top view of the design; and, FIG. 7 shows a bottom view of the design.

In the drawings, the broken lines depict environmental structures that are for illustrative purposes only and form no part of the claimed design.

1 Claim, 7 Drawing Sheets



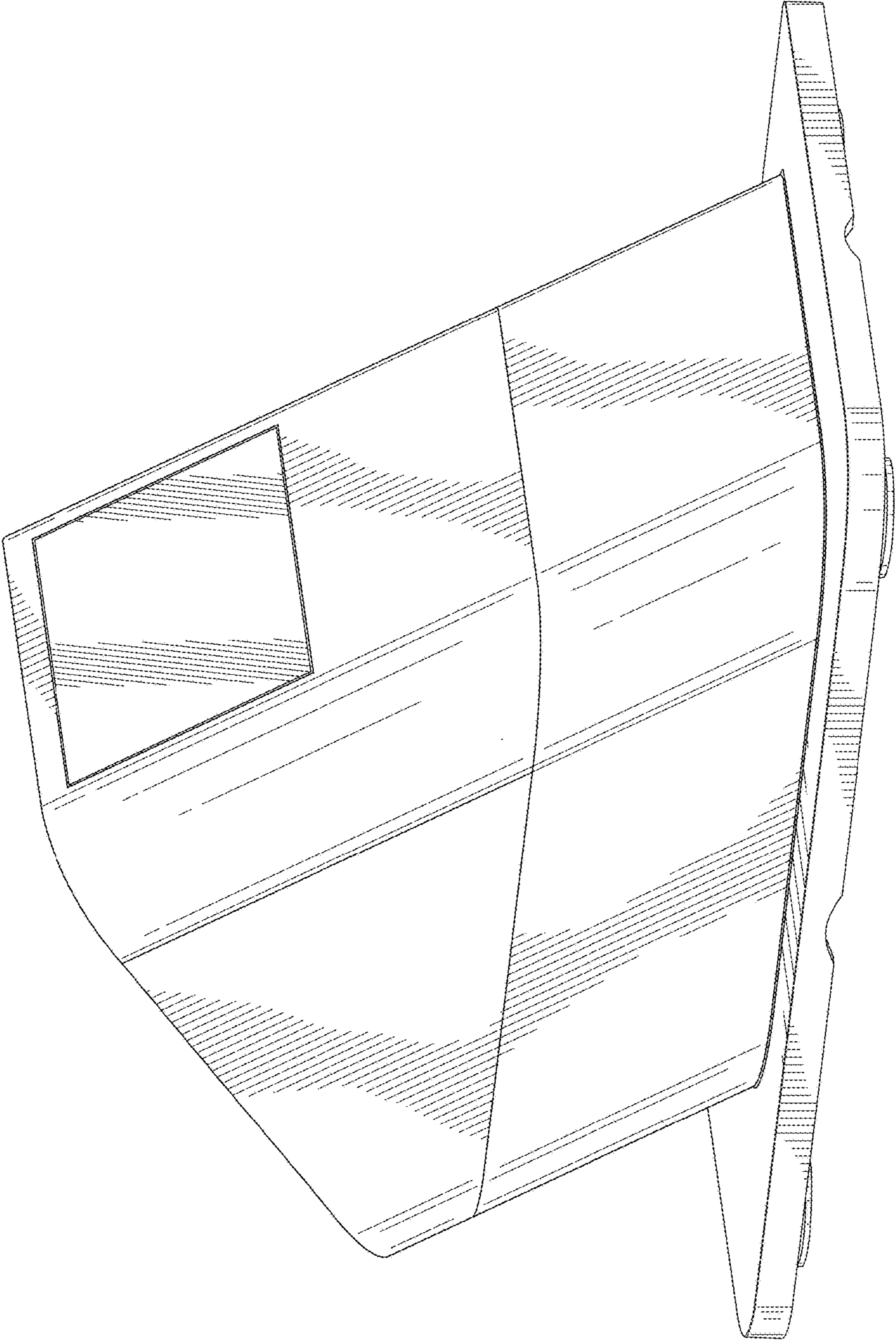


FIG. 1

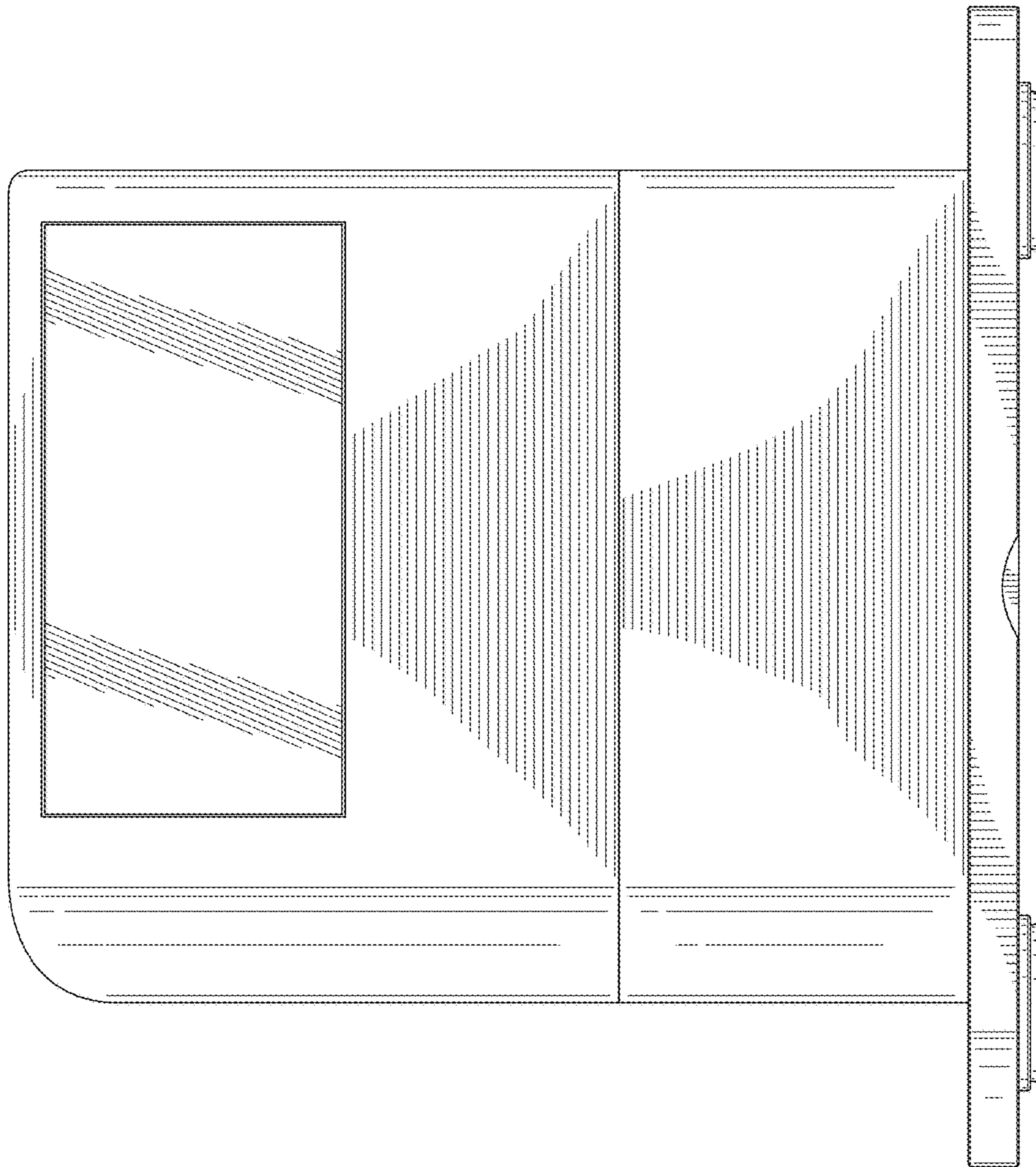


FIG. 2

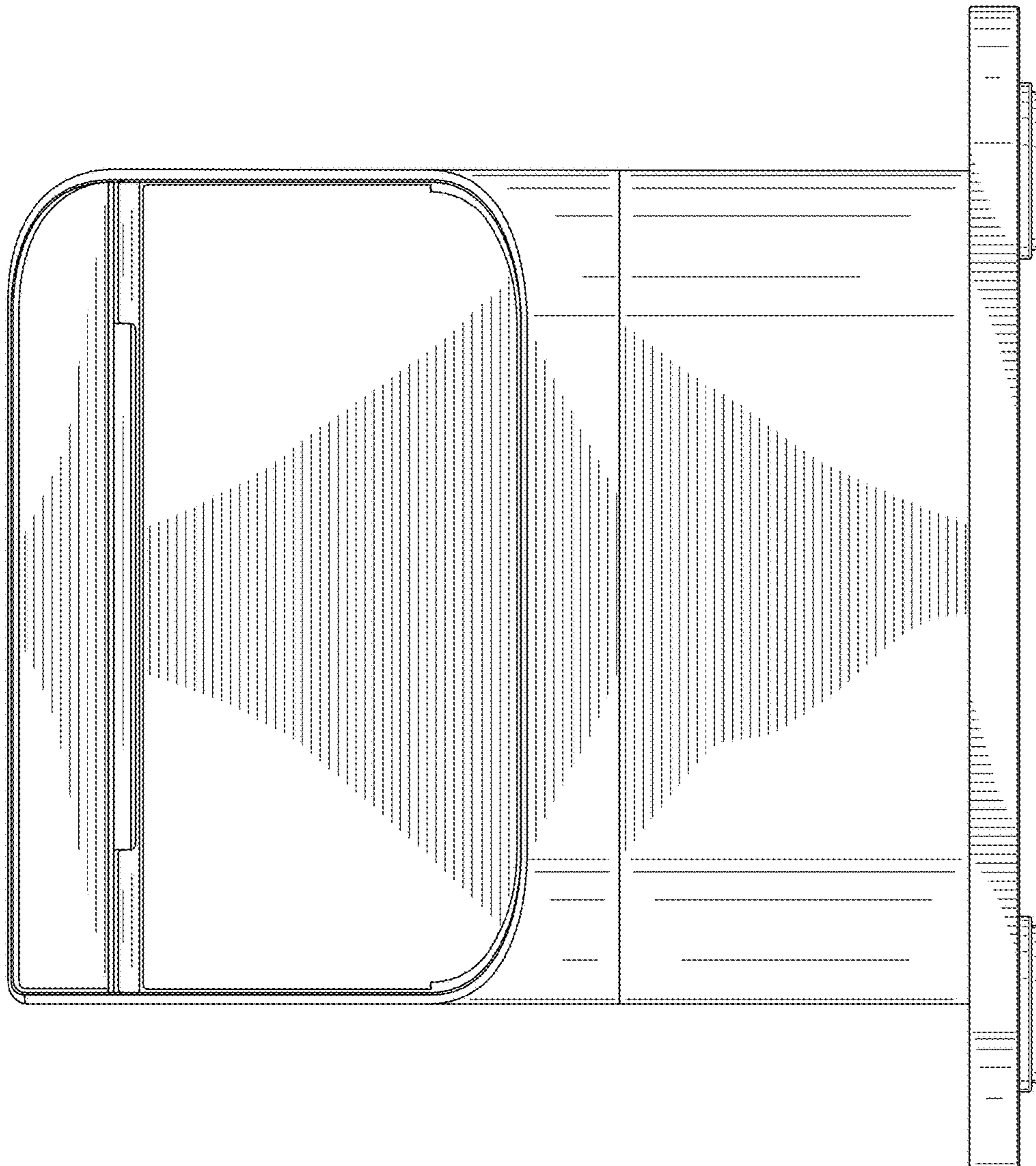


FIG. 3

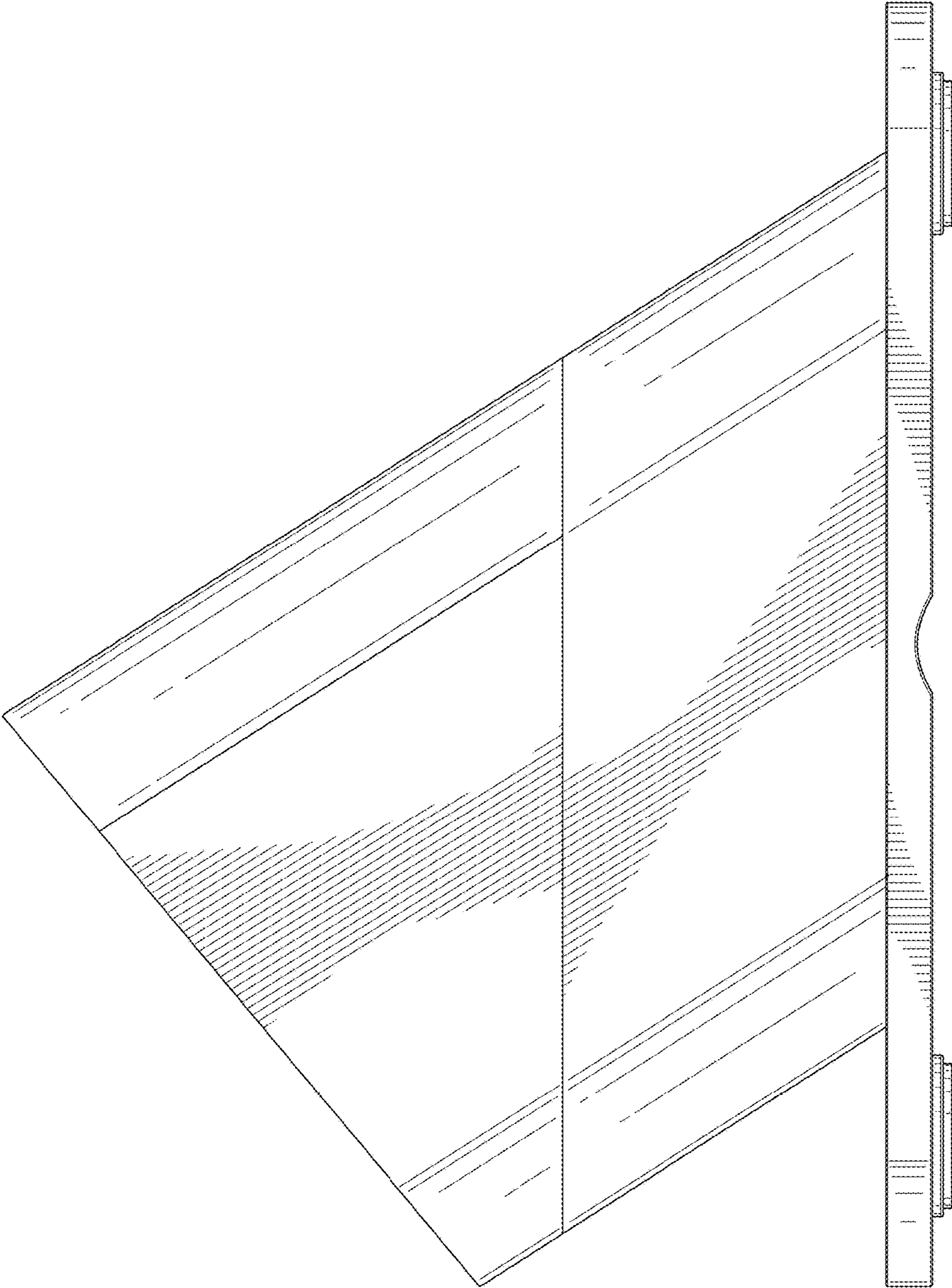


FIG. 4

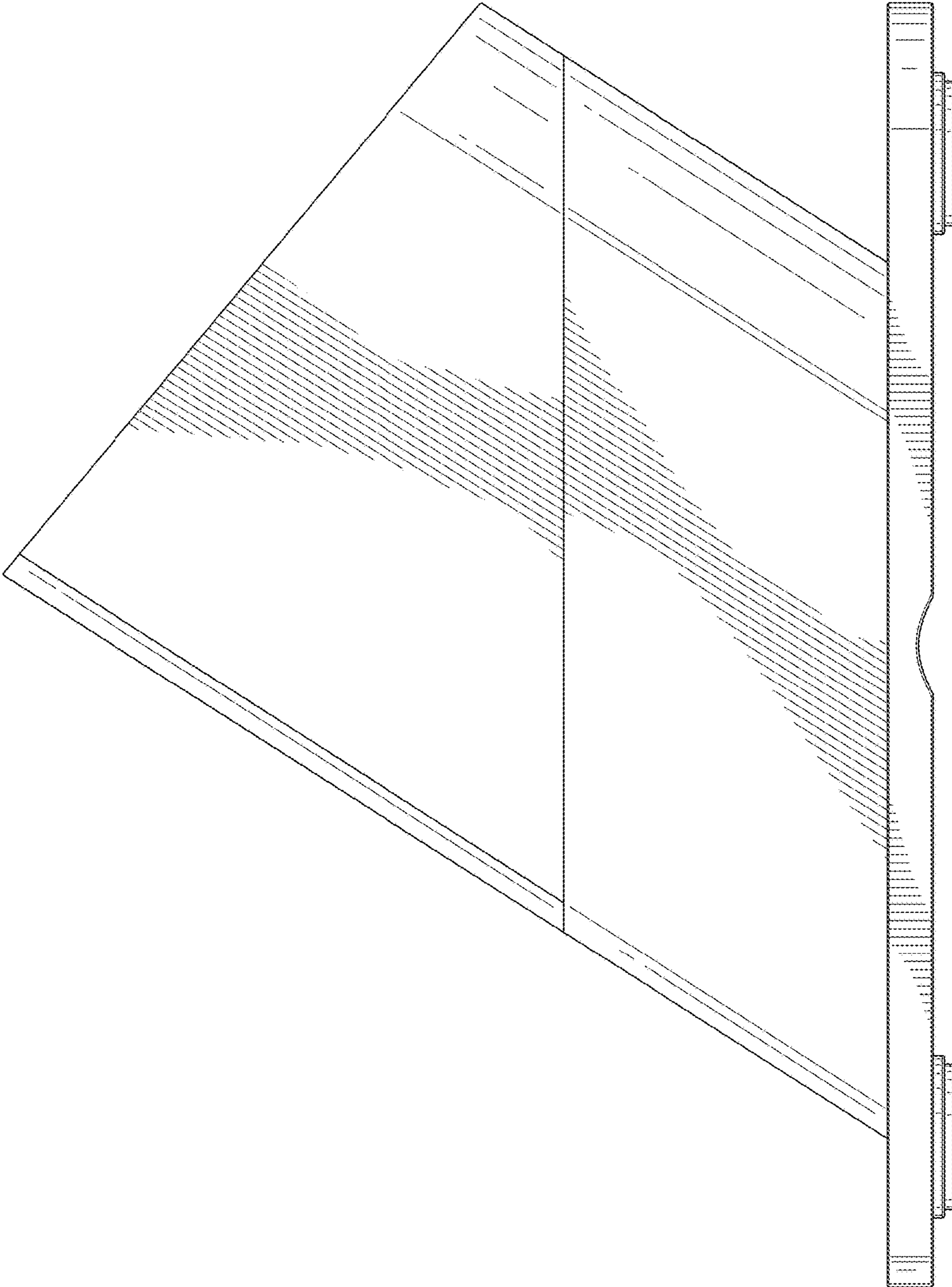


FIG. 5

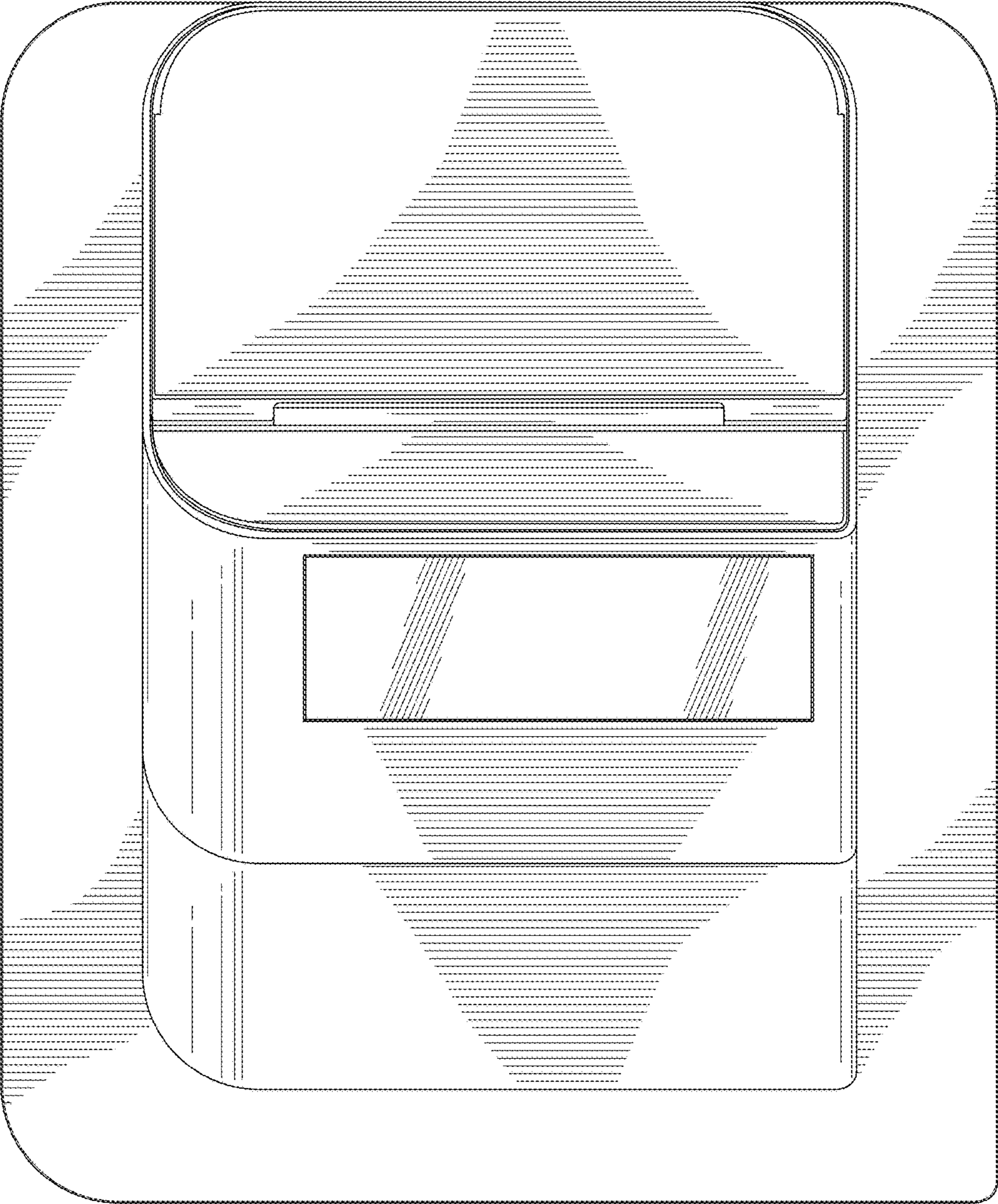


FIG. 6

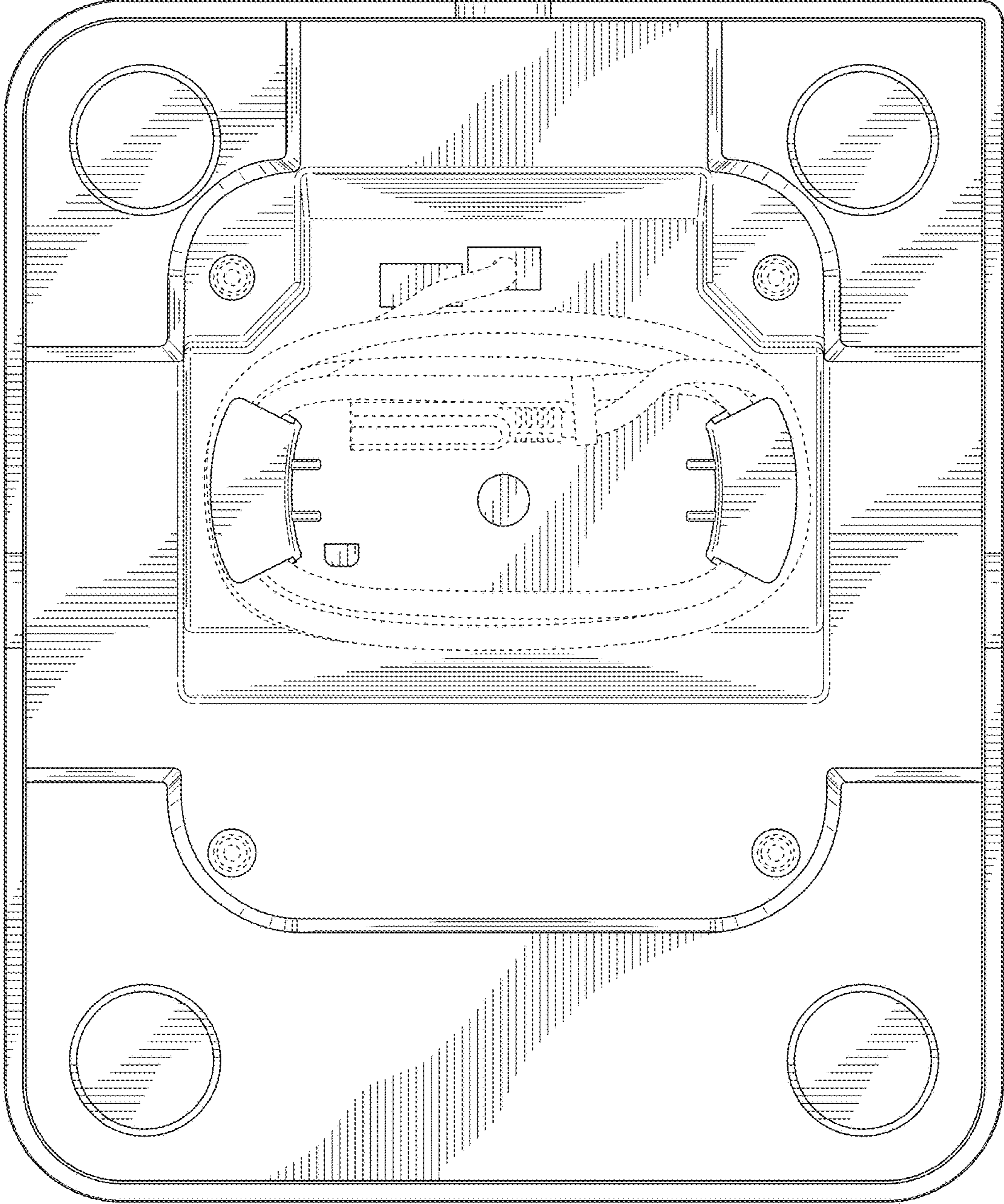


FIG. 7

UNITED STATES PATENT AND TRADEMARK OFFICE
CERTIFICATE OF CORRECTION

PATENT NO. : D818,530 S
APPLICATION NO. : 29/590930
DATED : May 22, 2018
INVENTOR(S) : Siva Raja Sekhar Reddy Yeruva et al.

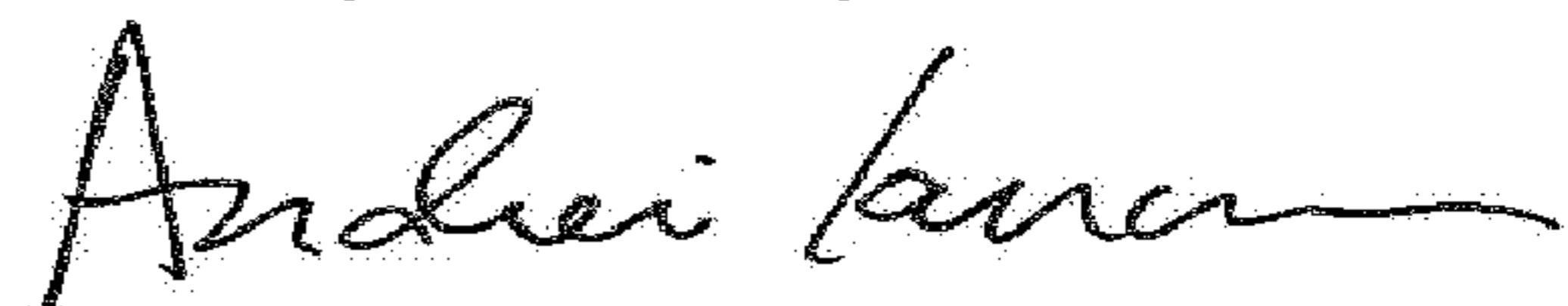
Page 1 of 1

It is certified that error appears in the above-identified patent and that said Letters Patent is hereby corrected as shown below:

In the Description:

Change "FIG. 3 3 shows a rear view of the design;" to --FIG. 3 shows a rear view of the design;--

Signed and Sealed this
Twenty-sixth Day of June, 2018



Andrei Iancu
Director of the United States Patent and Trademark Office