



US00D818529S

(12) **United States Design Patent** (10) **Patent No.:** **US D818,529 S**
Egami et al. (45) **Date of Patent:** **** May 22, 2018**

(54) **PRINTER**

(71) Applicant: **BROTHER INDUSTRIES, LTD.**,
Nagoya-shi, Aichi-ken (JP)

(72) Inventors: **Keiichiro Egami**, Kuwana (JP);
Kazuhisa Tashima, Nagoya (JP)

(73) Assignee: **BROTHER INDUSTRIES, LTD.**,
Nagoya (JP)

(**) Term: **15 Years**

(21) Appl. No.: **29/581,434**

(22) Filed: **Oct. 19, 2016**

(30) **Foreign Application Priority Data**

May 25, 2016 (JP) 2016-11098

(51) **LOC (11) Cl.** **18-02**

(52) **U.S. Cl.**

USPC **D18/50**

(58) **Field of Classification Search**

USPC D18/50, 53, 55, 36-37, 99; 347/3;
D14/463

CPC B41J 11/58; B41J 15/12; B41J 15/042;
G06K 15/12; G06K 15/14; G03G
21/1633

See application file for complete search history.

D749,169 S * 2/2016 Kil D18/55
D749,170 S * 2/2016 Nakagawa D18/55
D749,172 S * 2/2016 Nakagawa D18/55
D765,772 S * 9/2016 Clark, III D18/55
D786,343 S * 5/2017 Kil D18/55
D795,954 S * 8/2017 Hirota D18/55
D800,125 S * 10/2017 Yin D14/422
D803,286 S * 11/2017 Egami D15/148
D805,578 S * 12/2017 Mita D18/55
D806,162 S * 12/2017 Tashima D18/50
D806,791 S * 1/2018 Tashima D18/50
D809,593 S * 2/2018 Tashima D18/50
D810,194 S * 2/2018 Kim D18/50
2008/0014007 A1* 1/2008 Ukai B41J 29/02
400/691
2017/0185029 A1* 6/2017 Uohashi G03G 21/1633

OTHER PUBLICATIONS

Design U.S. Appl. No. 259/571,075, filed Jul. 14, 2016.
Design U.S. Appl. No. 29/577,326, filed Sep. 12, 2016.
Design U.S. Appl. No. 29/571,079, filed Jul. 14, 2016.

* cited by examiner

Primary Examiner — Robin V Webster
Assistant Examiner — James C Thorn, Sr.
(74) *Attorney, Agent, or Firm* — Oliff PLC

(57) **CLAIM**

The ornamental design for a printer, as shown and described.

DESCRIPTION

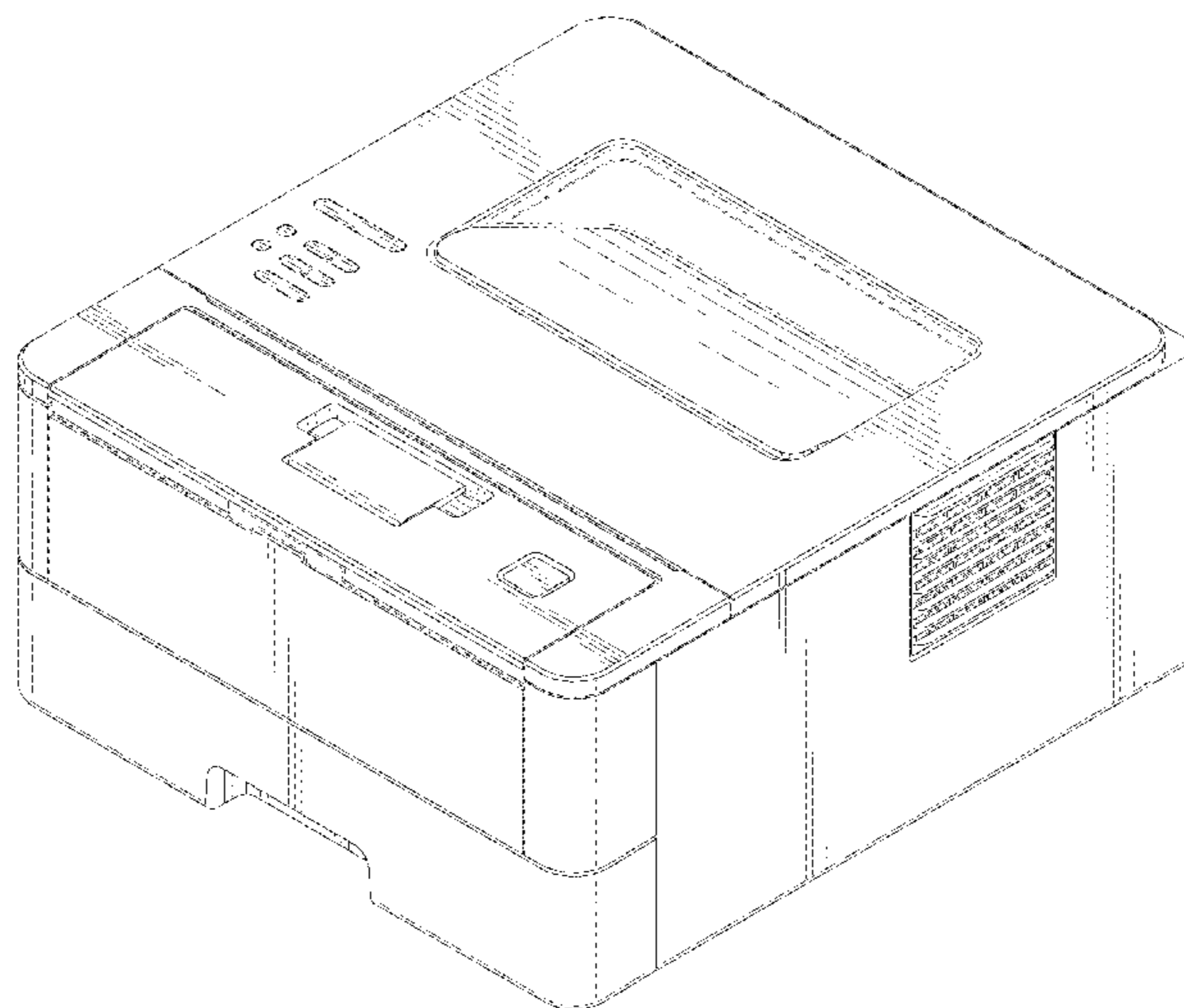
FIG. 1 is a perspective view of a printer;
FIG. 2 is a front view thereof;
FIG. 3 is a top view thereof;
FIG. 4 is a right-side view thereof;
FIG. 5 is a left-side view thereof;
FIG. 6 is a rear view thereof; and,
FIG. 7 is a bottom view thereof.
The broken lines depict environmental subject matter only
and form no part of the claimed design.

1 Claim, 6 Drawing Sheets

(56) **References Cited**

U.S. PATENT DOCUMENTS

D578,494 S 10/2008 Hattori
D639,847 S 6/2011 Nakata et al.
D641,038 S * 7/2011 Park D18/55
D641,398 S * 7/2011 Kim D18/55
D643,058 S * 8/2011 Seki D18/55
D722,339 S 2/2015 Nakagawa et al.
D723,615 S 3/2015 Sato et al.
D723,616 S 3/2015 Nakagawa et al.
D725,183 S 3/2015 Sato et al.



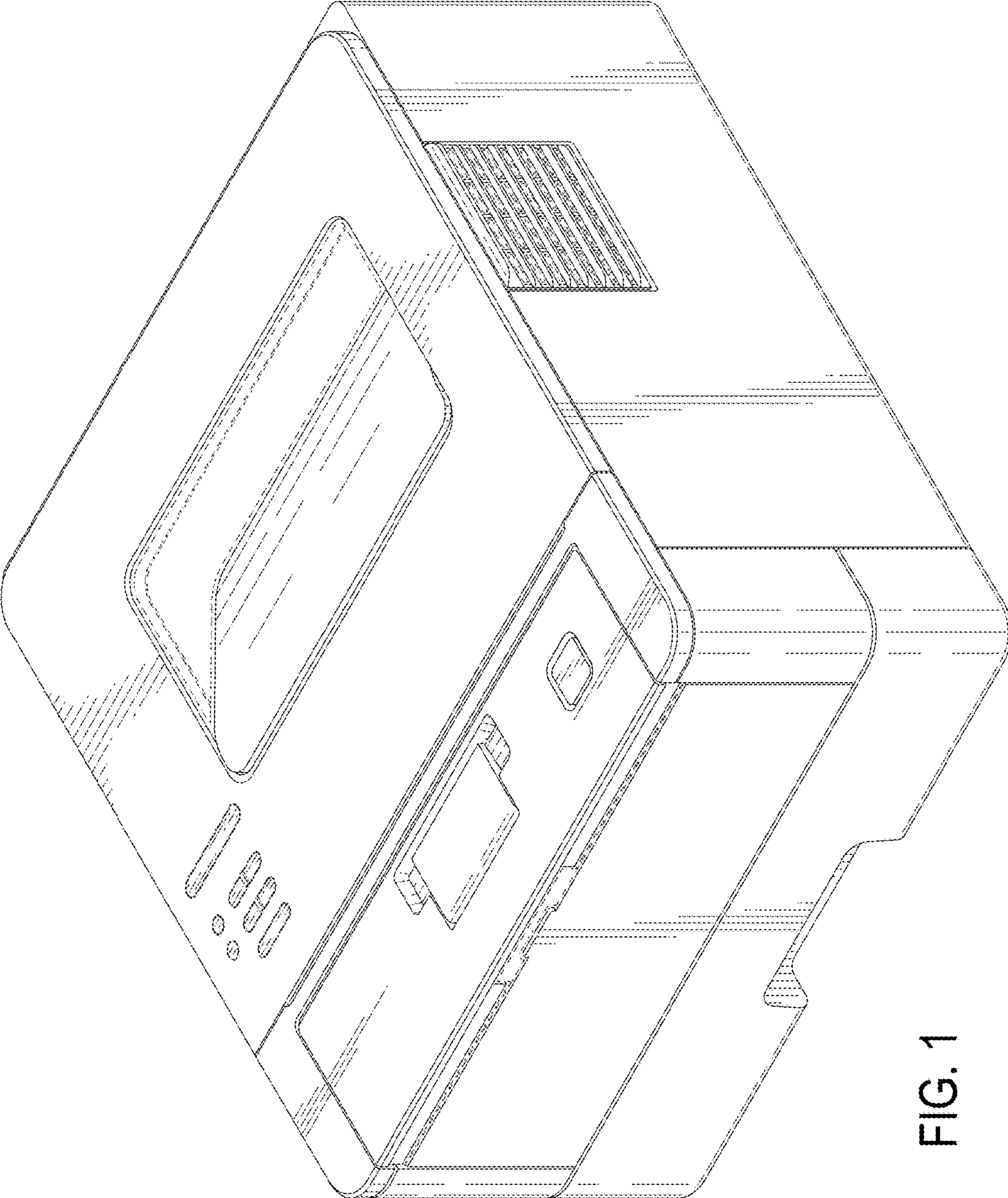


FIG. 1

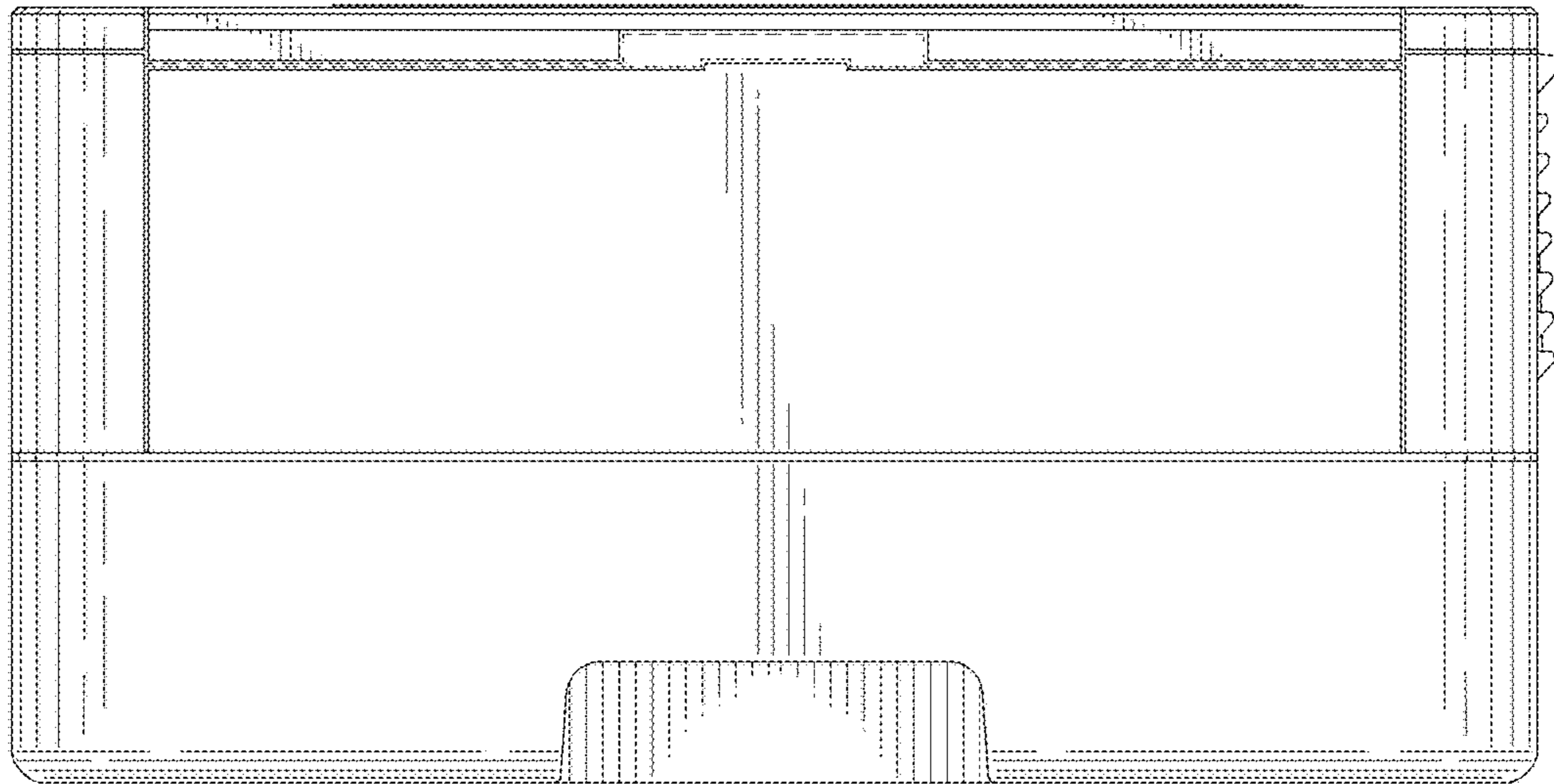


FIG. 2

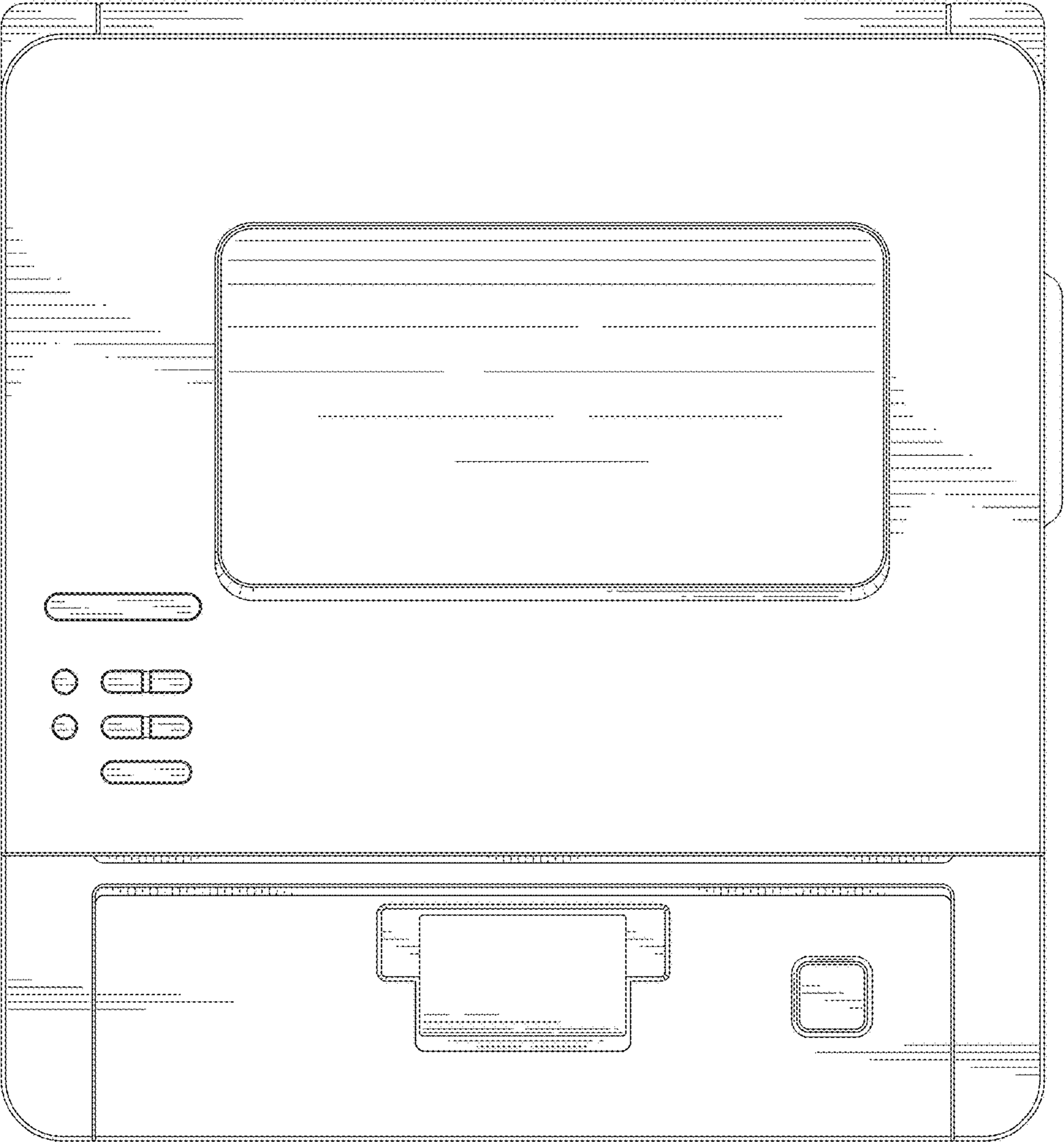


FIG. 3

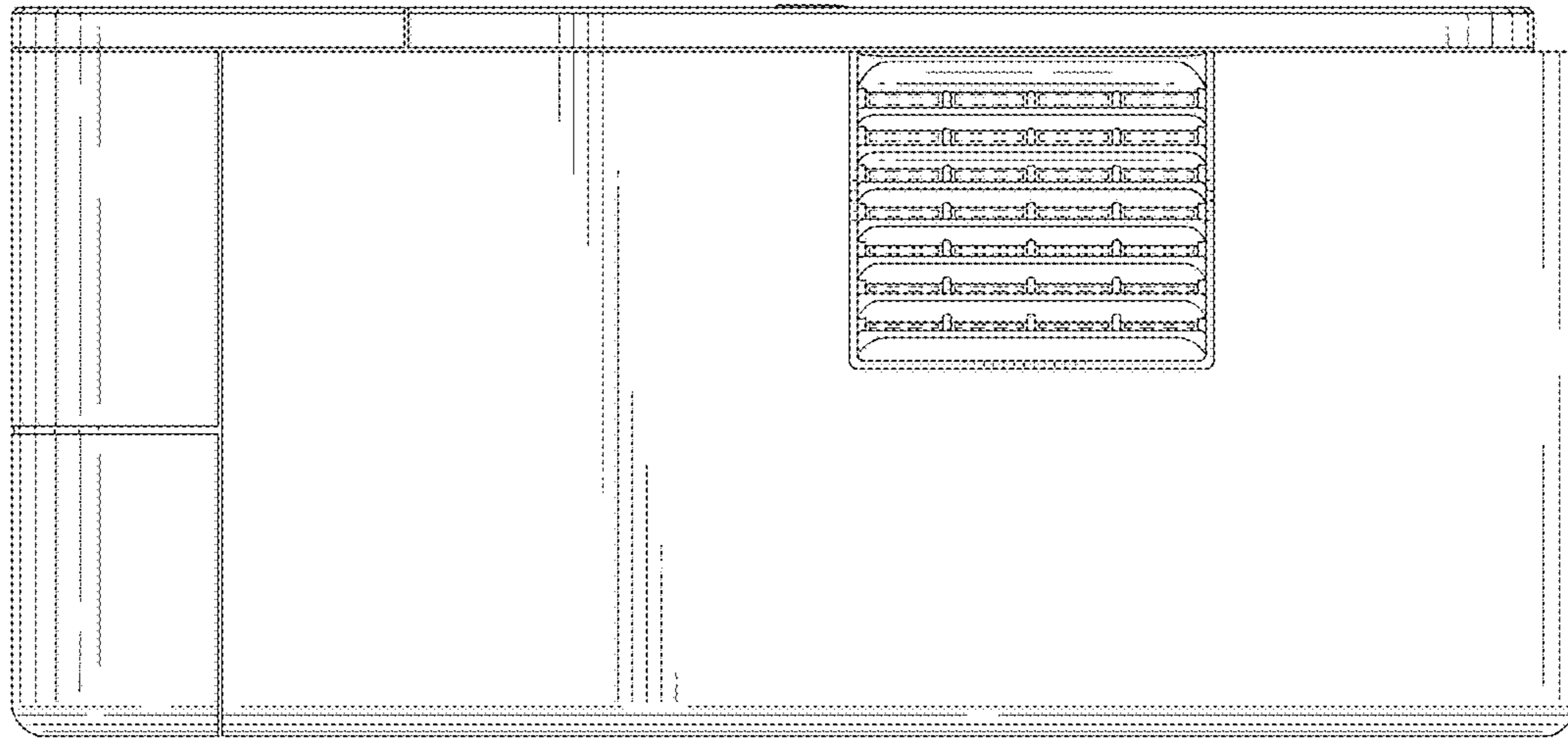


FIG. 4

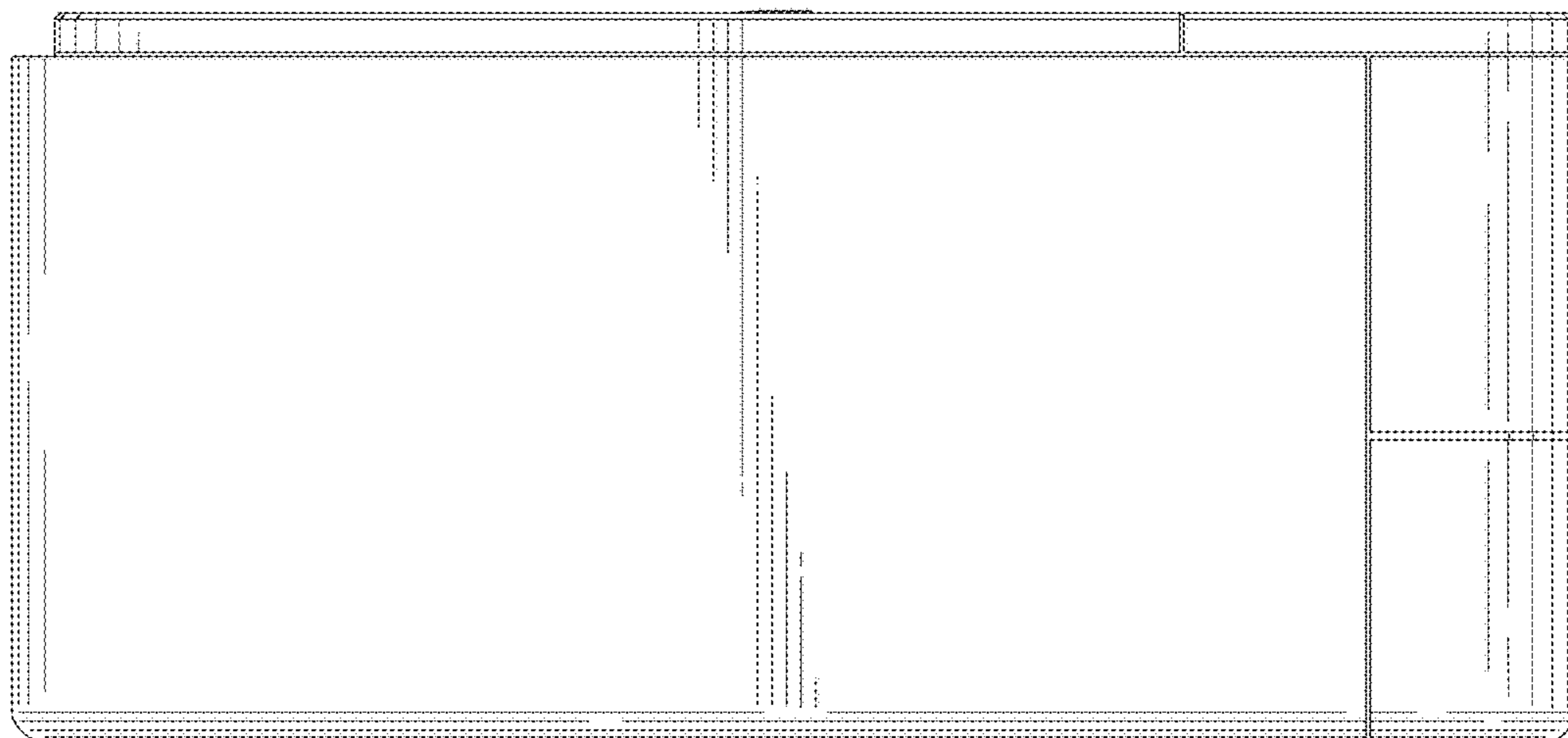


FIG. 5

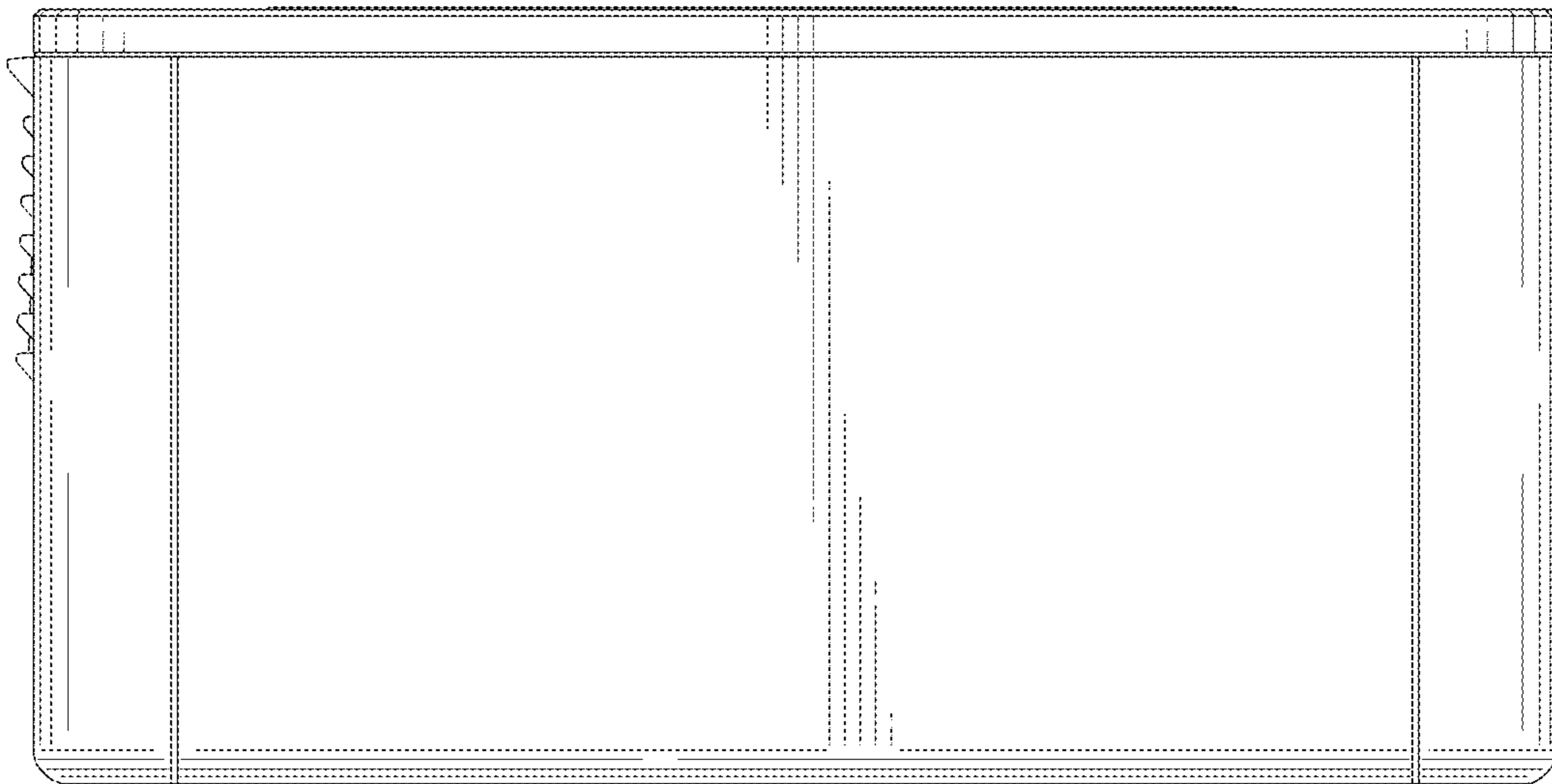


FIG. 6

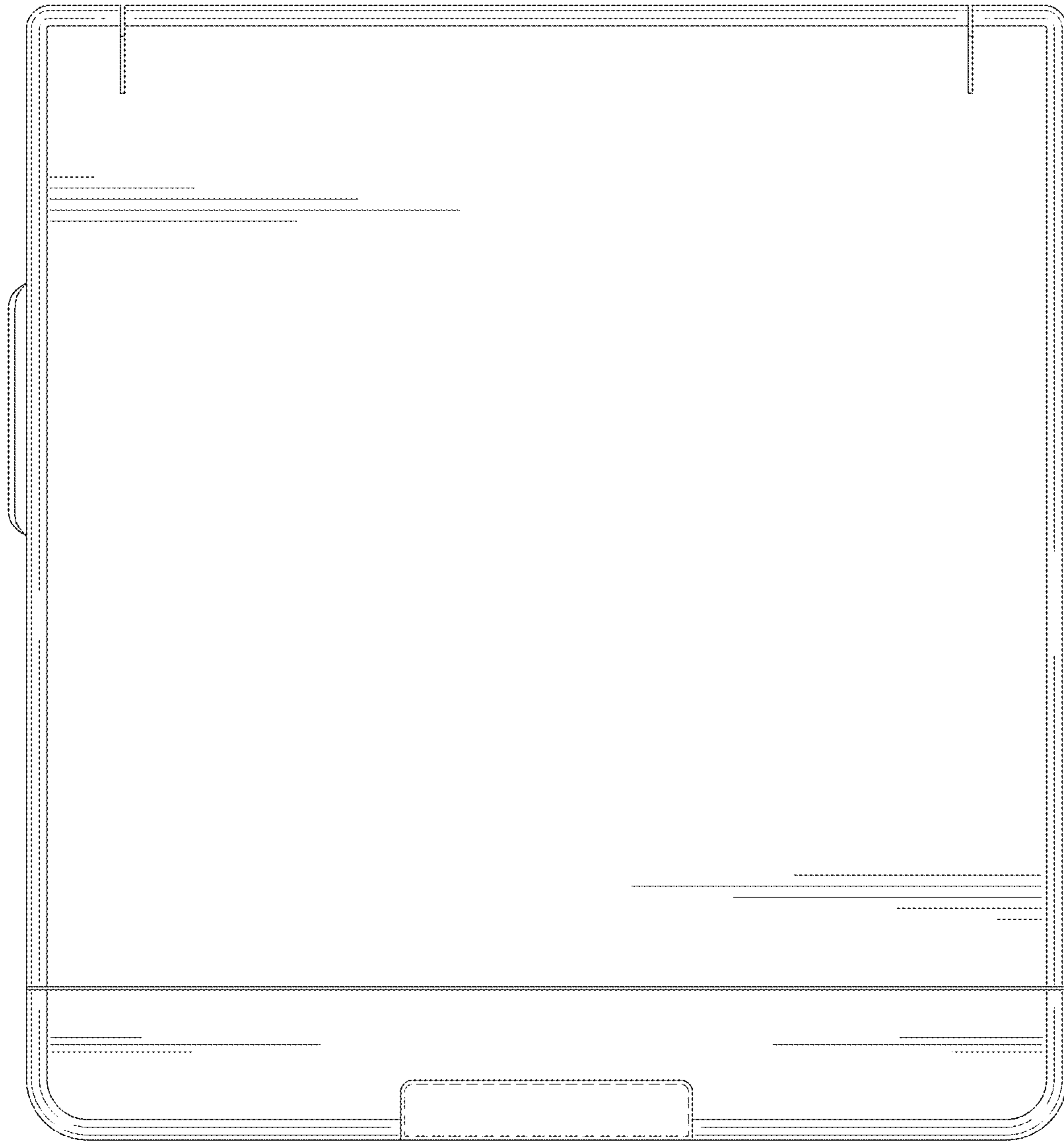


FIG. 7