



US00D818528S

(12) **United States Design Patent** (10) **Patent No.:** **US D818,528 S**
Tashima et al. (45) **Date of Patent:** **** May 22, 2018**

(54) **PRINTER** D694,318 S 11/2013 Jihoon et al.
8,727,464 B2 * 5/2014 Hara H04N 1/0313
347/3
(71) Applicant: **BROTHER INDUSTRIES, LTD.**, D720,803 S * 1/2015 Inada D18/50
Nagoya-shi, Aichi-ken (JP) D729,310 S 5/2015 Nakagawa et al.
(72) Inventors: **Kazuhisa Tashima**, Nagoya (JP); D761,903 S * 7/2016 Matsumoto D18/50
Keiichiro Egami, Kuwana (JP) D792,508 S * 7/2017 Nakagawa D18/50
D794,707 S * 8/2017 Nanno D18/50
D800,215 S * 10/2017 Sato D18/50
(73) Assignee: **BROTHER INDUSTRIES, LTD.**, D807,427 S * 1/2018 Tashima D18/50
Nagoya (JP) 2014/0265103 A1 * 9/2014 Sone B41J 11/70
270/5.02

(**) Term: **15 Years**

(21) Appl. No.: **29/580,931**

(22) Filed: **Oct. 14, 2016**

(30) **Foreign Application Priority Data**

Apr. 14, 2016 (JP) 2016-8260

(51) **LOC (11) Cl.** **18-02**

(52) **U.S. Cl.**
USPC **D18/50**

(58) **Field of Classification Search**
USPC D18/50, 55, 36-37, 39; 347/3
CPC B41J 11/58; B41J 15/12; B41J 15/042;
G06K 15/12; G06K 15/14
See application file for complete search history.

(56) **References Cited**

U.S. PATENT DOCUMENTS

D565,650 S * 4/2008 Tani D18/50
D624,956 S * 10/2010 Park D18/39
D645,078 S * 9/2011 Kim D18/50
D647,130 S * 10/2011 Kim D18/50
D661,346 S 6/2012 Suzuki et al.
D678,402 S * 3/2013 Sato D18/50
D678,403 S 3/2013 Seki et al.
D682,349 S * 5/2013 Iwai D18/50

OTHER PUBLICATIONS

Design U.S. Appl. No. 29/464,337, filed Aug. 15, 2013.
Design U.S. Appl. No. 29/577,312, filed Sep. 12, 2016.
Design U.S. Appl. No. 29/464,324, filed Aug. 13, 2015.

* cited by examiner

Primary Examiner — Robin V Webster

Assistant Examiner — James C Thorn, Sr.

(74) *Attorney, Agent, or Firm* — Oliff PLC

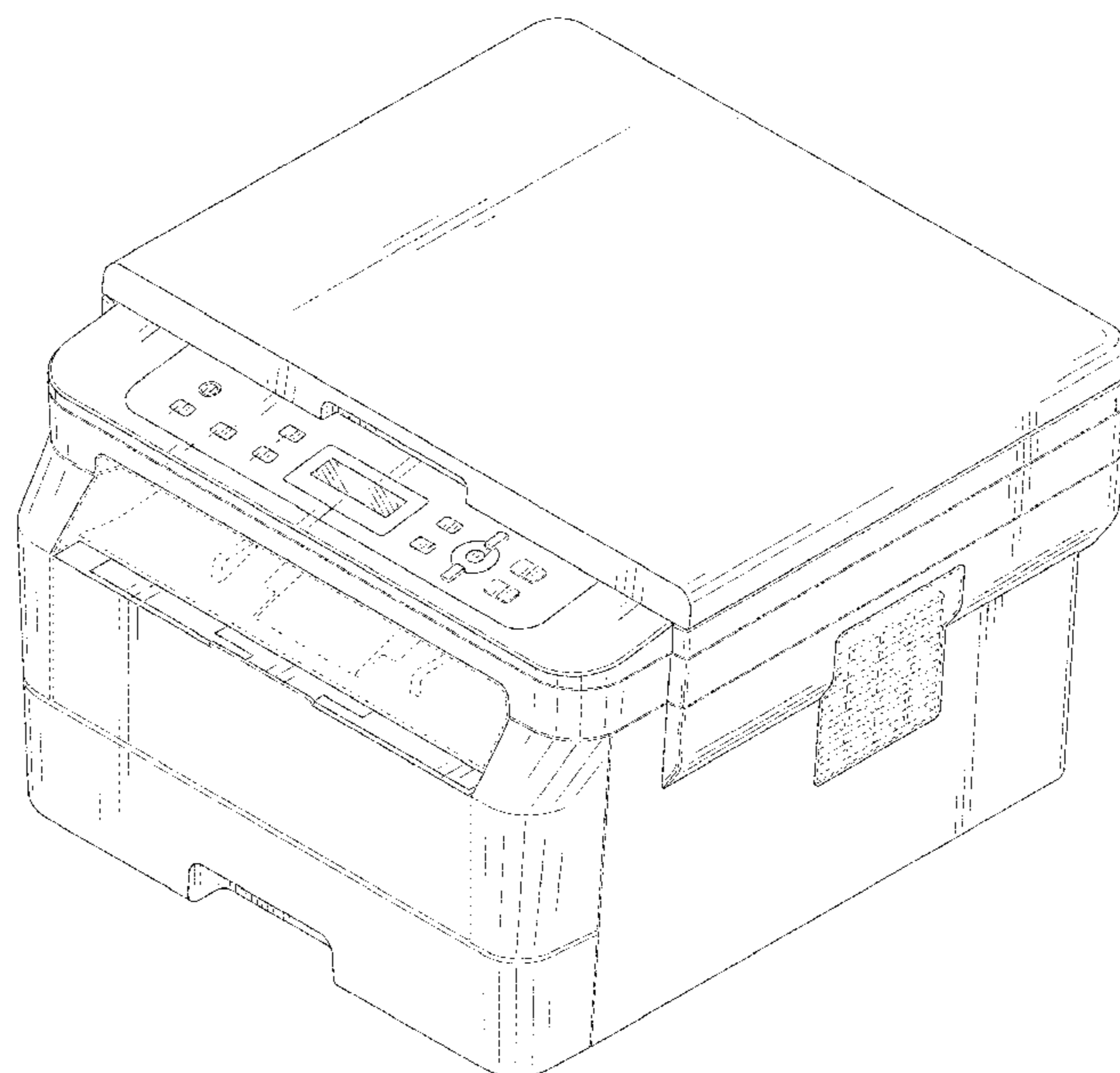
(57) **CLAIM**

The ornamental design for a printer, as shown and described.

DESCRIPTION

FIG. 1 is a perspective view of a printer;
FIG. 2 is a front view thereof;
FIG. 3 is a top view thereof;
FIG. 4 is a right-side view thereof;
FIG. 5 is a left-side view thereof;
FIG. 6 is a rear view thereof; and,
FIG. 7 is a bottom view thereof.
The broken lines depict environmental subject matter only
and form no part of the claimed design.

1 Claim, 7 Drawing Sheets



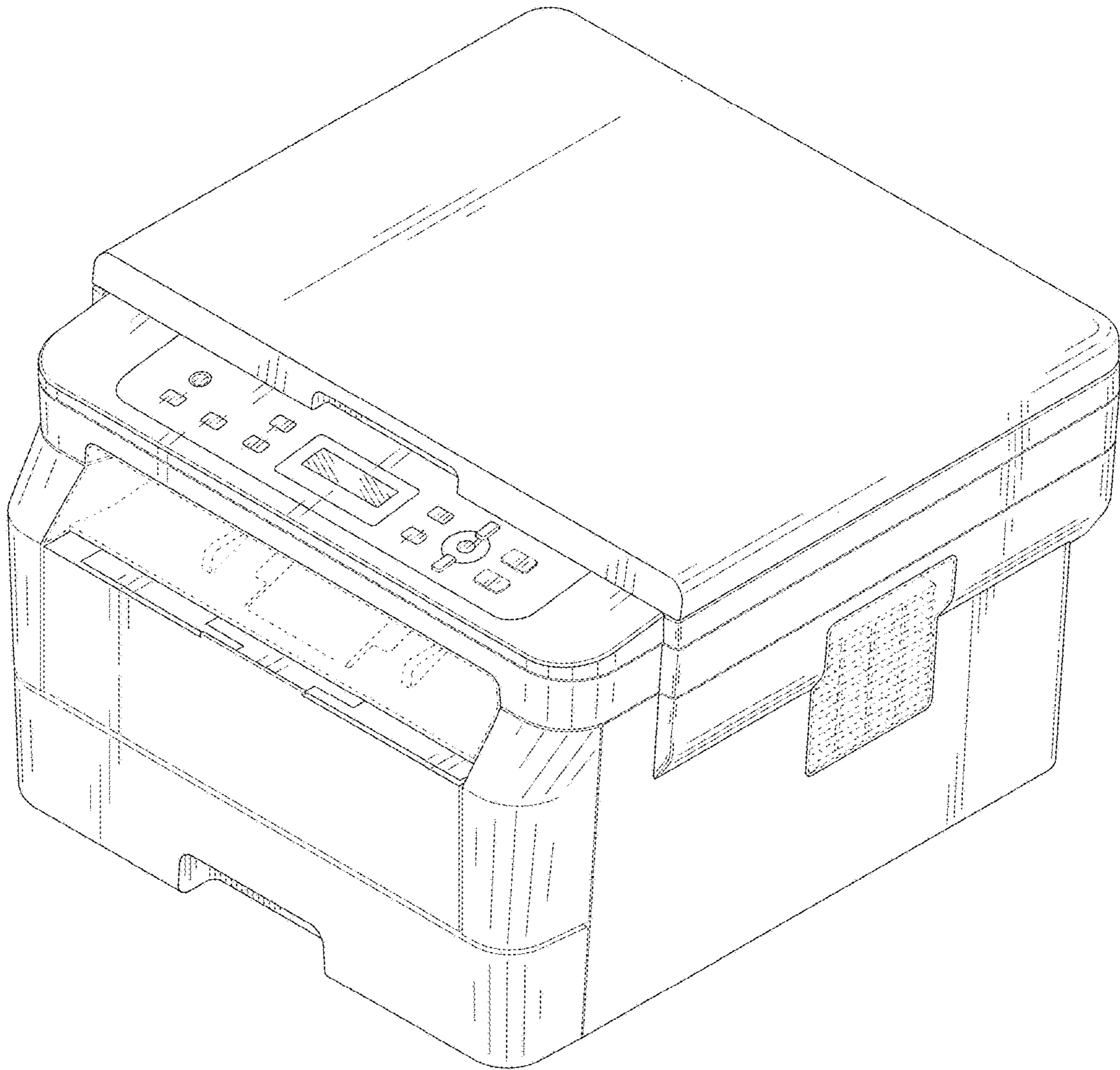


FIG. 1

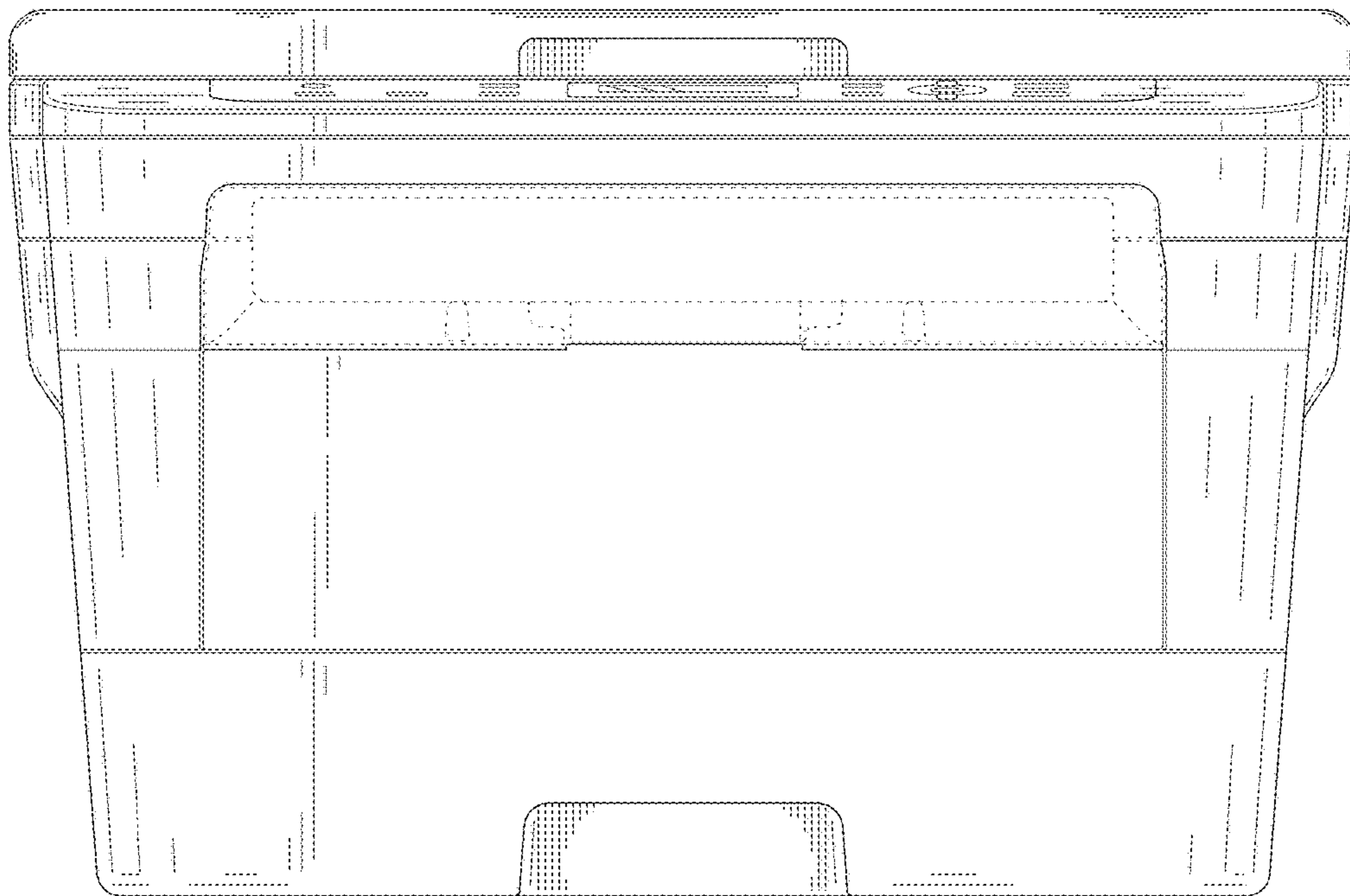


FIG. 2

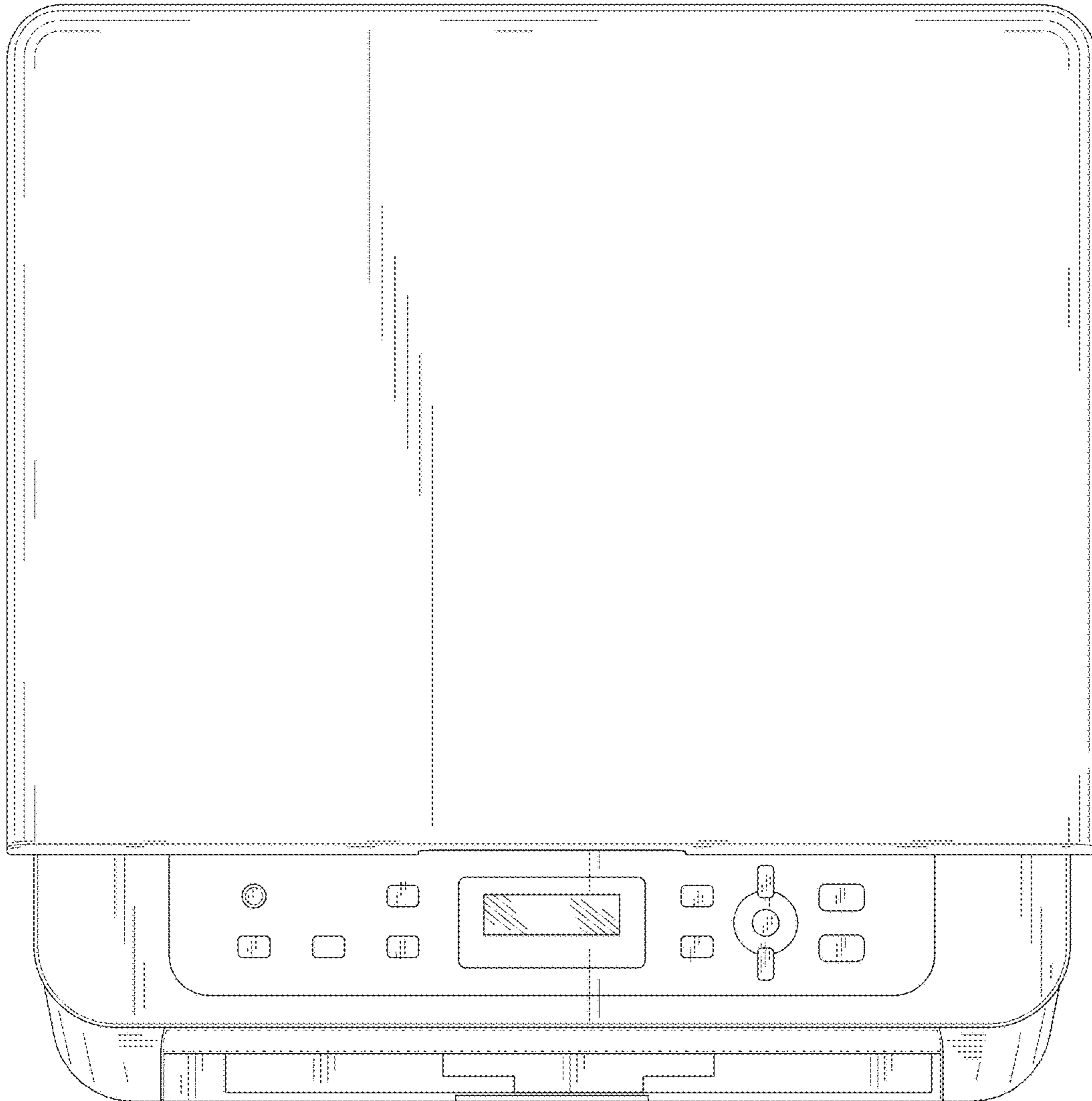


FIG. 3

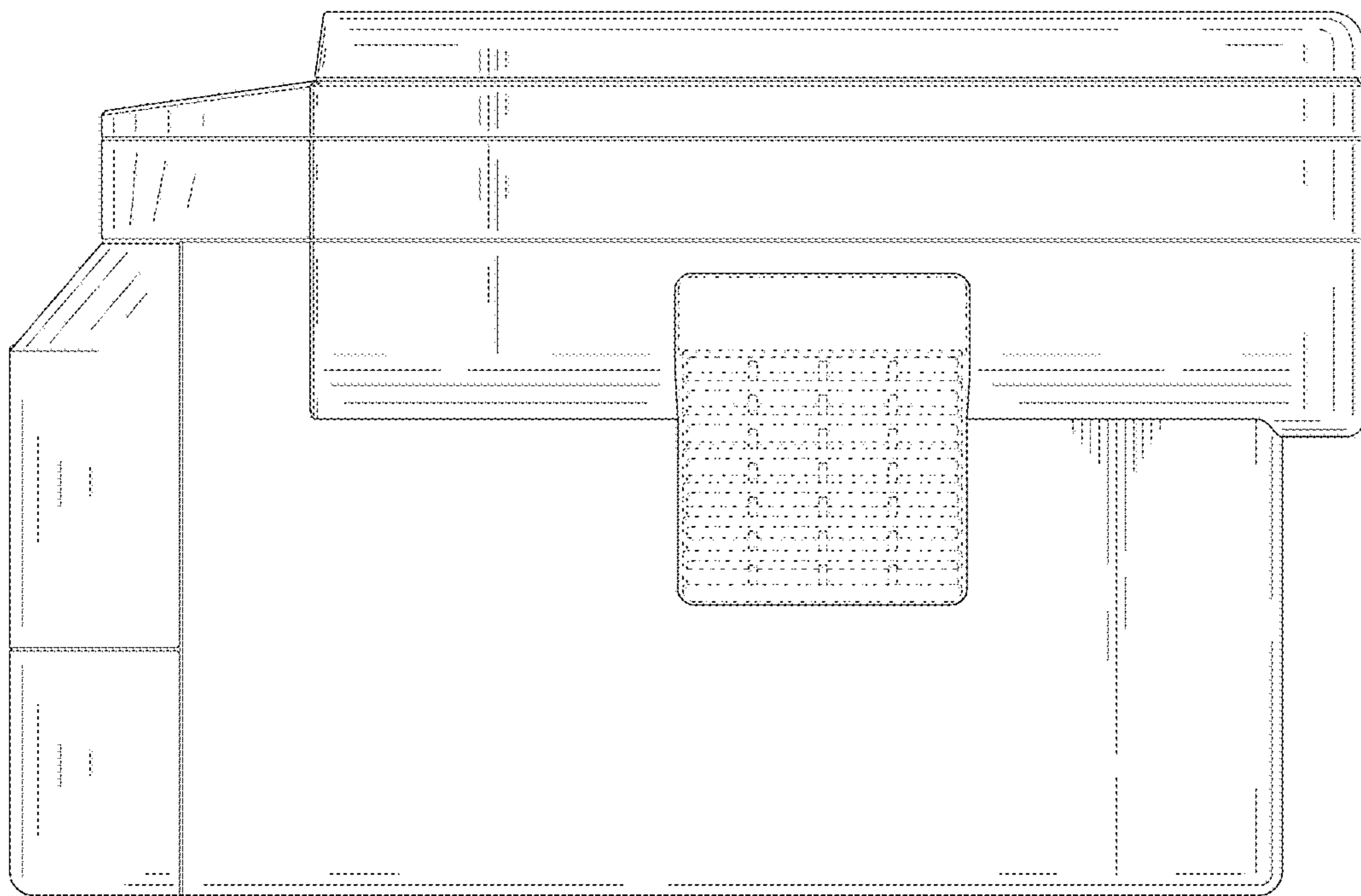


FIG. 4

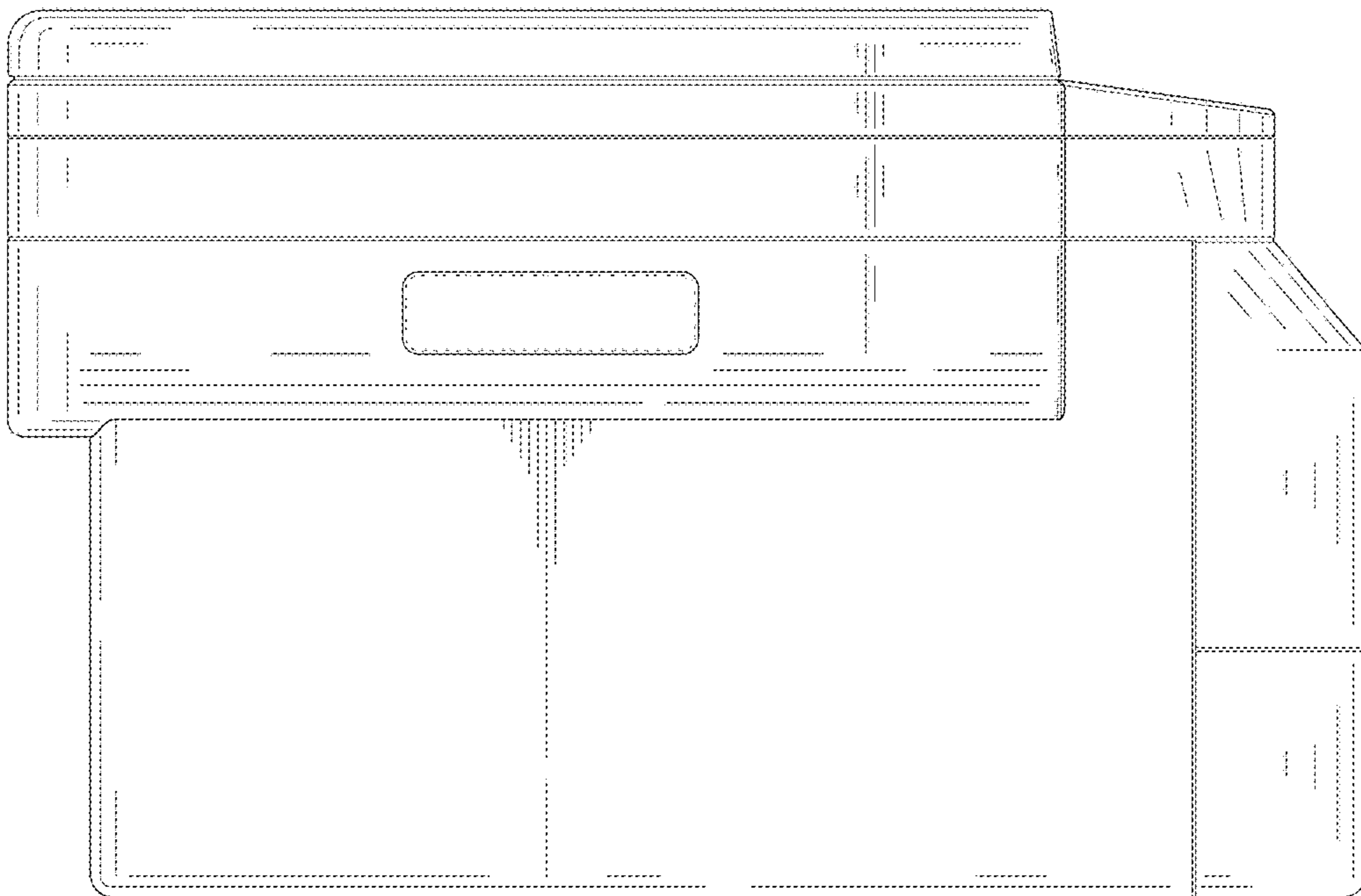


FIG. 5

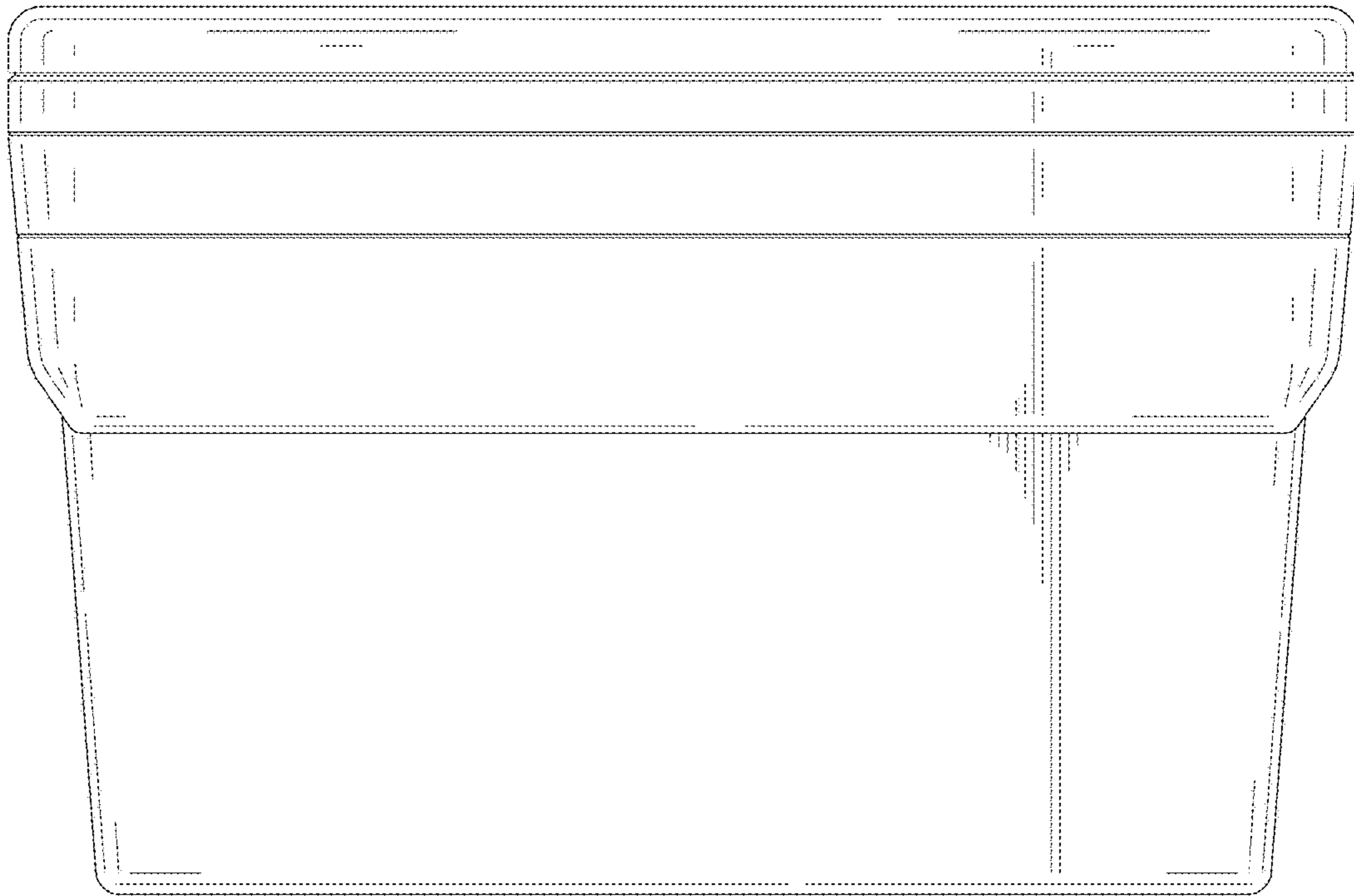


FIG. 6

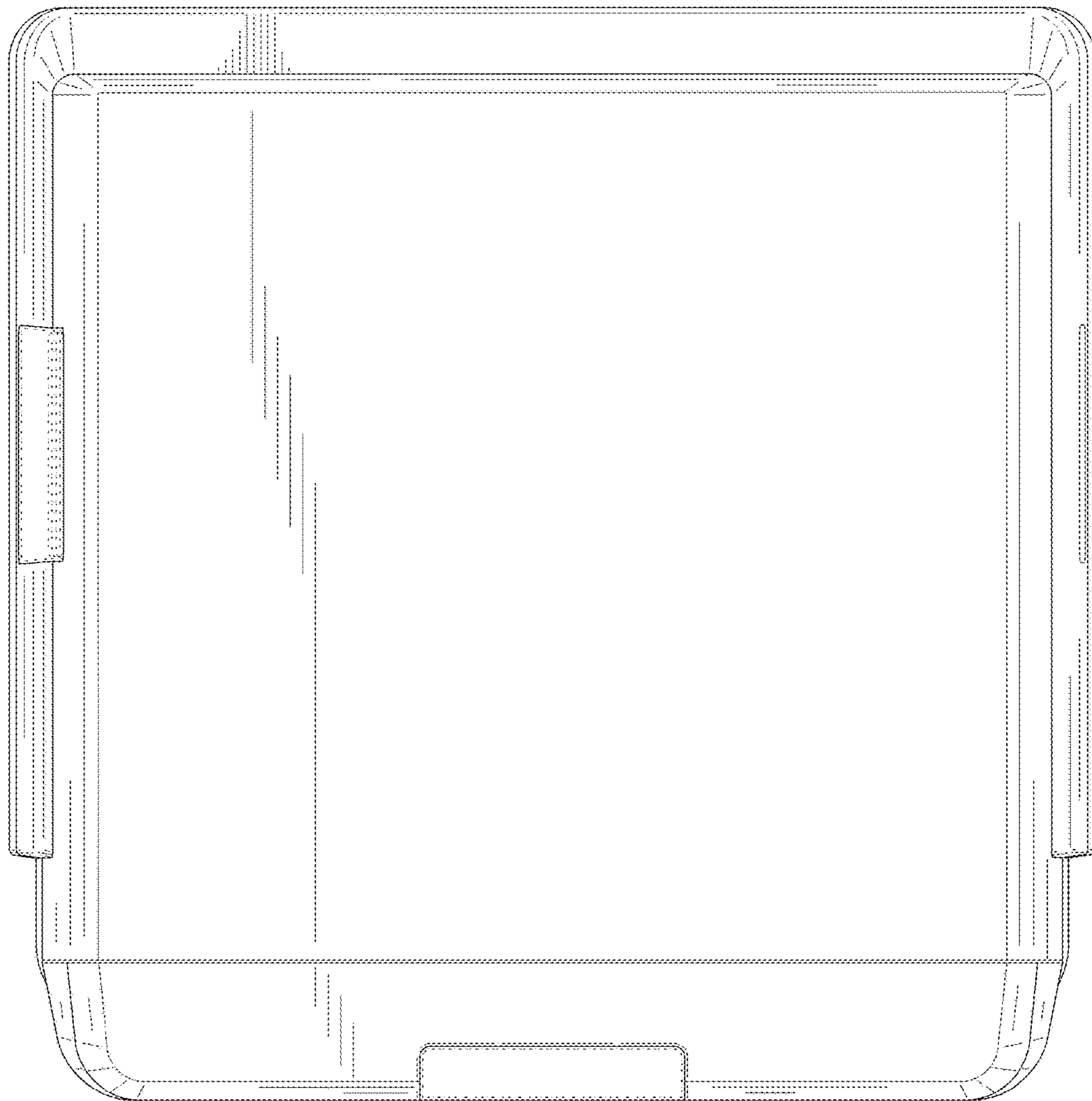


FIG. 7