



US00D818527S

(12) **United States Design Patent**  
**Inada et al.**

(10) **Patent No.:** **US D818,527 S**  
(45) **Date of Patent:** **\*\* May 22, 2018**

(54) **PRINTER**  
(71) Applicant: **BROTHER INDUSTRIES, LTD.**,  
Nagoya-shi, Aichi-ken (JP)  
(72) Inventors: **Toshiya Inada**, Nagoya (JP);  
**Hiromitsu Tanaka**, Nagoya (JP);  
**Jihoon Kil**, Nagoya (JP)  
(73) Assignee: **BROTHER INDUSTRIES, LTD.**,  
Nagoya (JP)  
(\*\*) Term: **15 Years**  
(21) Appl. No.: **29/566,243**

D415,787 S \* 10/1999 Clark, III ..... D18/36  
D448,403 S \* 9/2001 Omuro ..... D14/425  
D449,851 S \* 10/2001 Katou ..... D18/36  
D522,047 S \* 5/2006 Ko ..... D14/422  
D558,821 S \* 1/2008 Smith ..... D18/55  
D558,822 S \* 1/2008 Smith ..... D18/55  
7,435,025 B2 \* 10/2008 Tanahashi ..... B65H 3/0684  
271/109  
D600,745 S \* 9/2009 Inoue ..... D18/55  
7,607,845 B2 \* 10/2009 Mizutani ..... B41J 13/0009  
400/624  
D614,234 S \* 4/2010 Ishikawa ..... D18/55  
D648,379 S \* 11/2011 Ishikawa ..... D18/50  
D667,489 S \* 9/2012 Inoue ..... D18/55  
D667,490 S \* 9/2012 Inoue ..... D18/55  
D681,107 S \* 4/2013 Larson ..... D14/420

(Continued)

(22) Filed: **May 27, 2016**

**FOREIGN PATENT DOCUMENTS**

(30) **Foreign Application Priority Data**

JP D1061863 S 2/2000  
JP D1146742 S 7/2002  
JP D1504659 S 8/2014

Dec. 3, 2015 (JP) ..... 2015-27076

(51) **LOC (11) Cl.** ..... **18-02**

*Primary Examiner* — Caron D Veynar

(52) **U.S. Cl.**

*Assistant Examiner* — Katrina N Gonzalez

USPC ..... **D18/50**

(74) *Attorney, Agent, or Firm* — Oliff PLC

(58) **Field of Classification Search**

(57) **CLAIM**

USPC ..... D18/12, 14, 18, 19, 36, 37, 38, 39, 43,  
D18/50, 54, 54.1, 55, 56, 99; D14/420,  
D14/421, 422, 423, 424, 425, 462, 463,  
D14/464, 465, 466, 467, 668, 469, 470,  
D14/480.5, 483, 484

The ornamental design for a printer, as shown and described.

CPC . B41J 31/16; B41J 32/02; B41J 19/202; B41J  
29/377; B41J 15/042; B41J 3/4075; B41J  
11/58; B41J 15/12; B41J 29/02; B41J  
17/00

**DESCRIPTION**

See application file for complete search history.

FIG. 1 is a perspective view of a printer;  
FIG. 2 is a front view thereof;  
FIG. 3 is a top view thereof;  
FIG. 4 is a right-side view thereof;  
FIG. 5 is a left-side view thereof;  
FIG. 6 is a rear view thereof; and,  
FIG. 7 is a bottom view thereof.

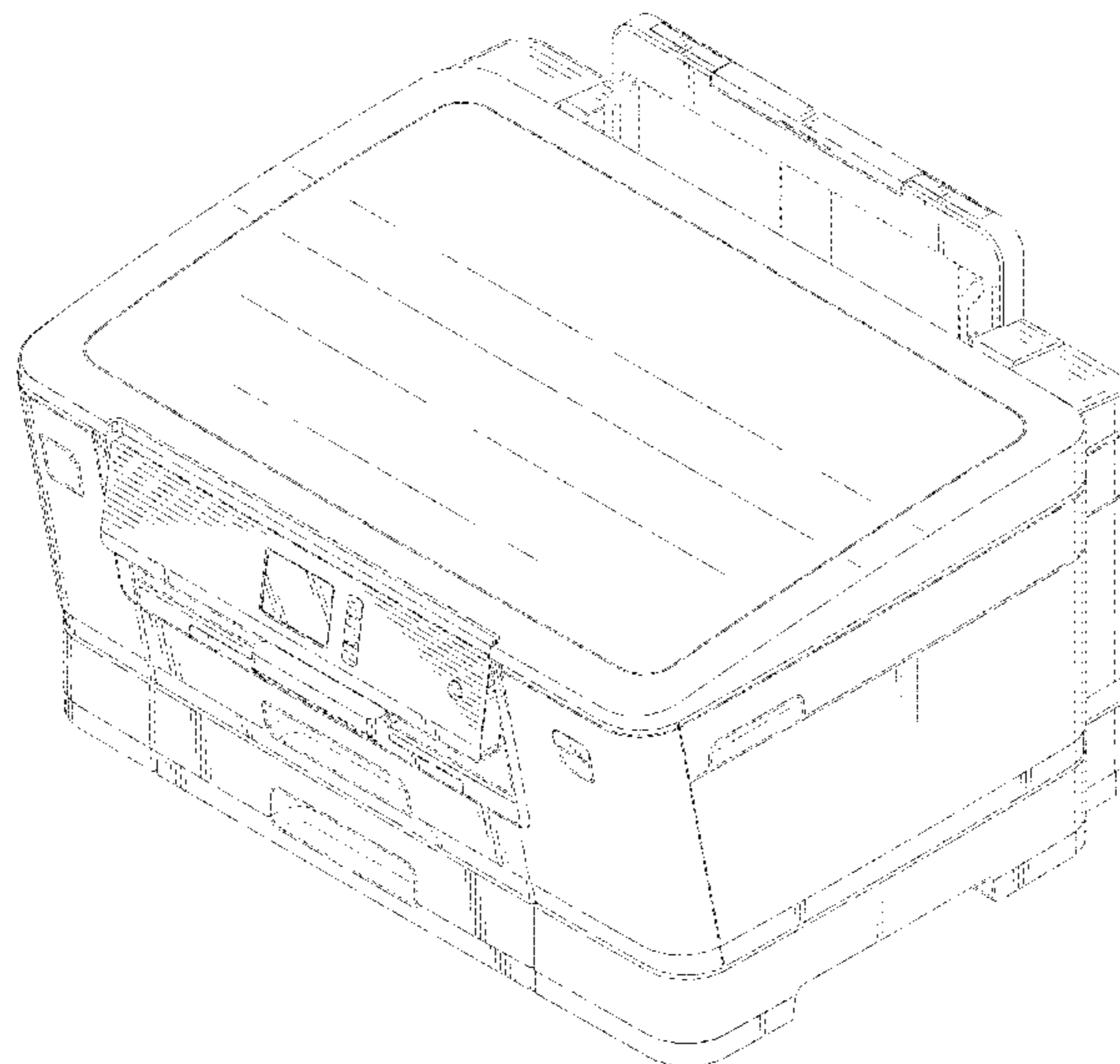
The broken lines depict environmental subject matter only  
and form no part of the claimed design.

(56) **References Cited**

**U.S. PATENT DOCUMENTS**

D321,005 S \* 10/1991 Hiroki ..... D18/36  
D339,151 S \* 9/1993 Ratzlaff ..... D18/36

**1 Claim, 7 Drawing Sheets**



(56)

**References Cited**

U.S. PATENT DOCUMENTS

8,882,224	B2 *	11/2014	Ogimura .....	B41J 29/38
				347/104
D723,034	S	2/2015	Chin et al.	
9,233,549	B2 *	1/2016	Nakano .....	B41J 2/17553
D752,139	S *	3/2016	Seki .....	D18/50
D758,483	S *	6/2016	Seki .....	D18/50
9,571,681	B2 *	2/2017	Shimazu .....	H04N 1/00525

\* cited by examiner

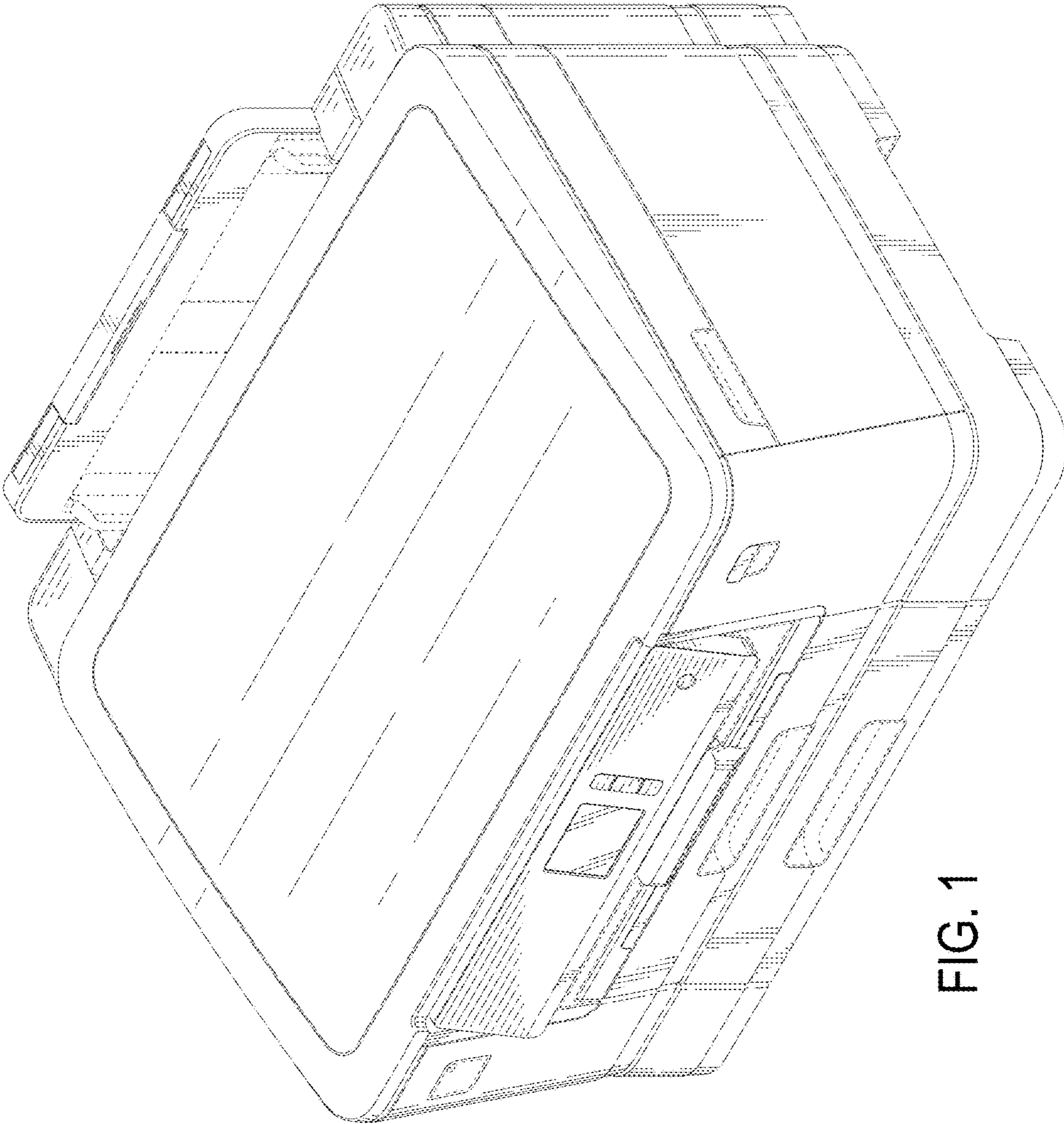


FIG. 1

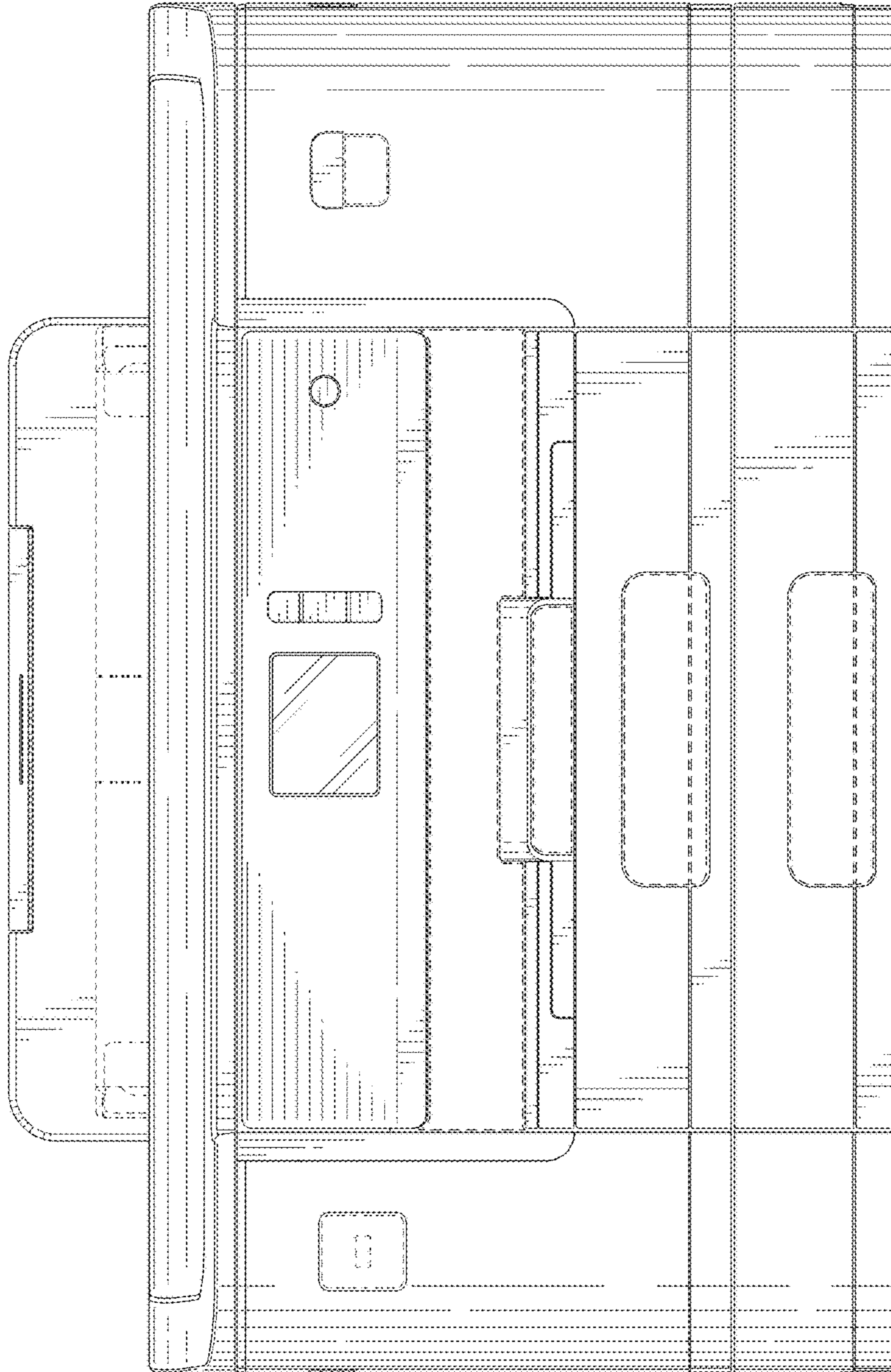


FIG. 2

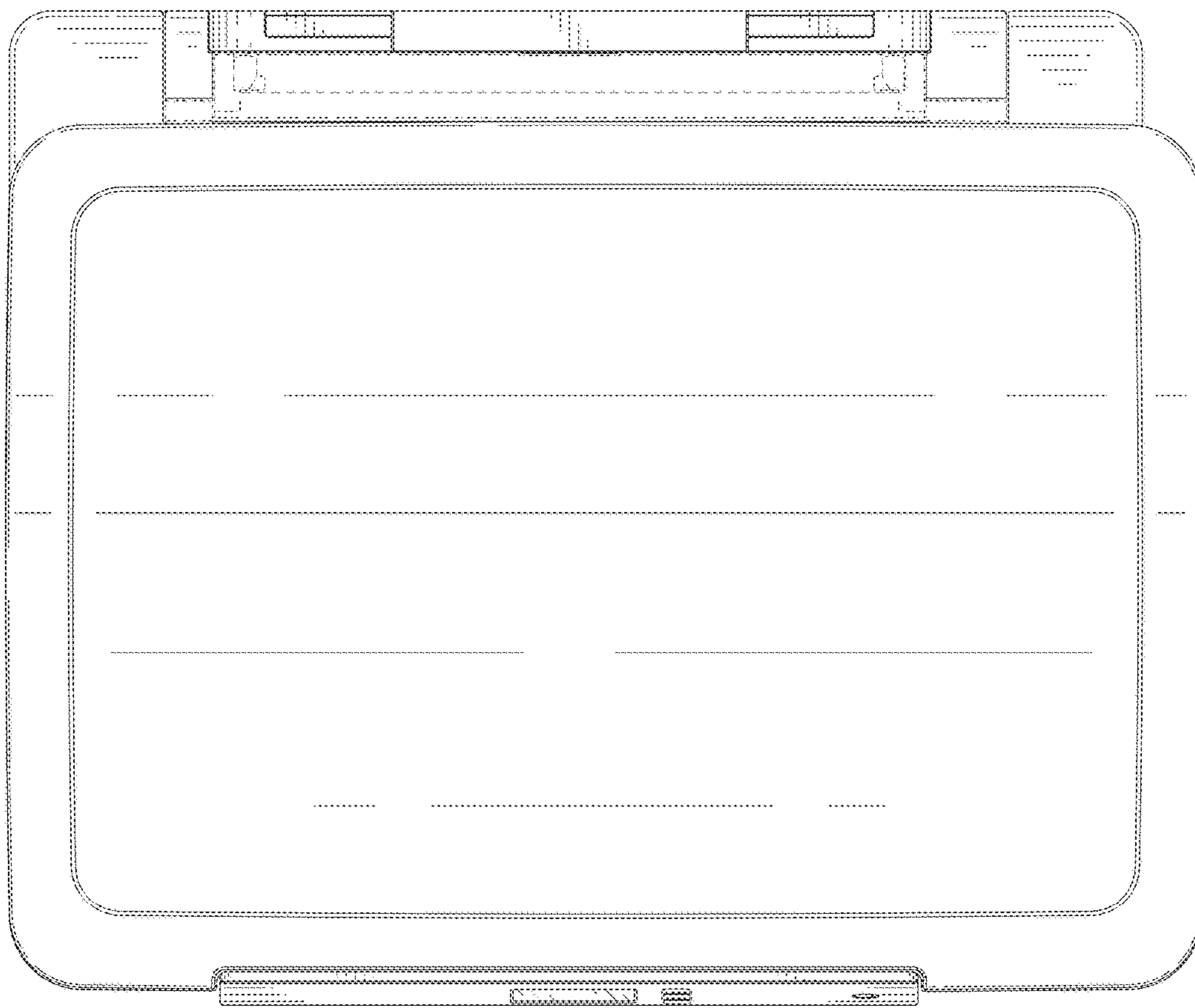


FIG. 3

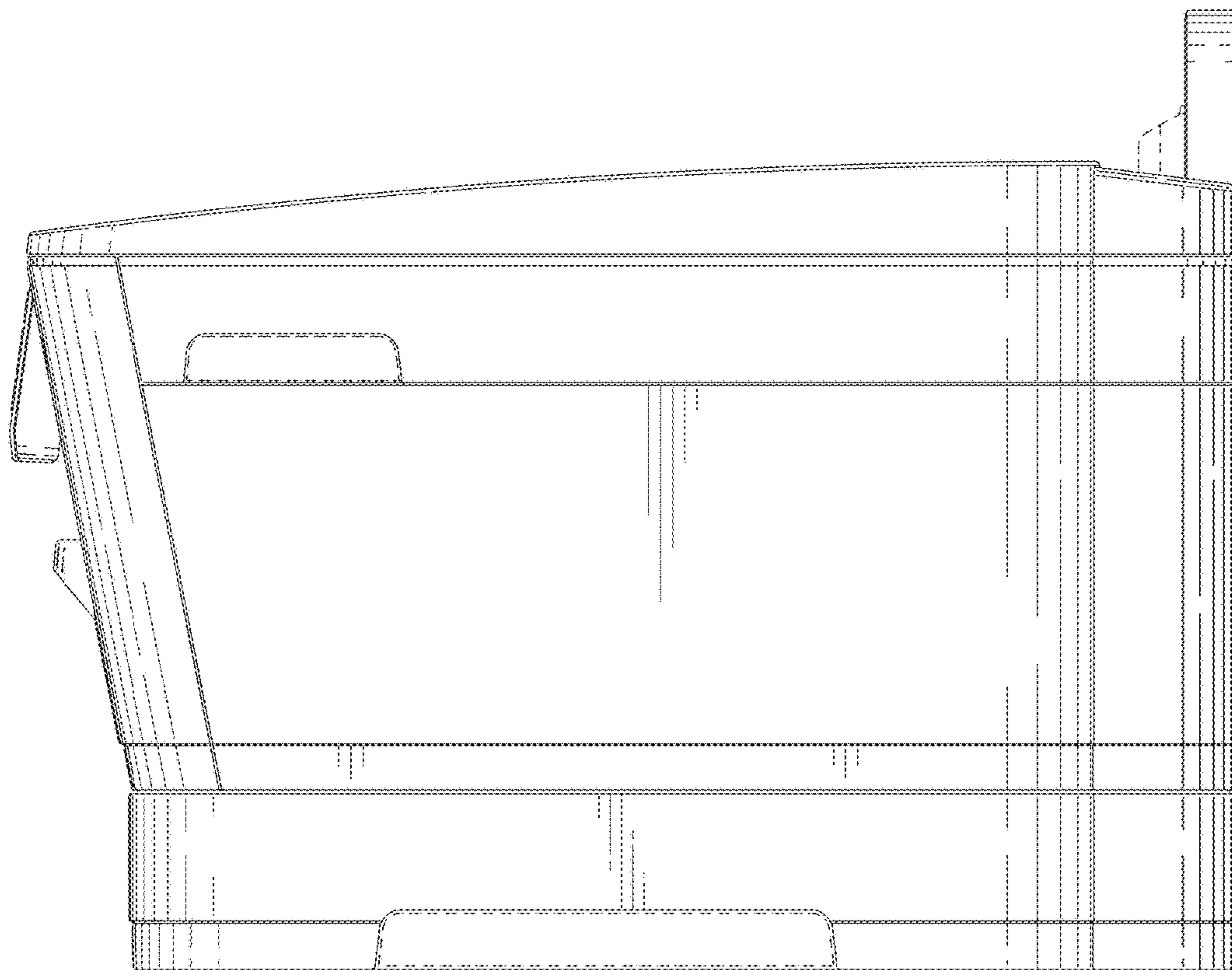


FIG. 4

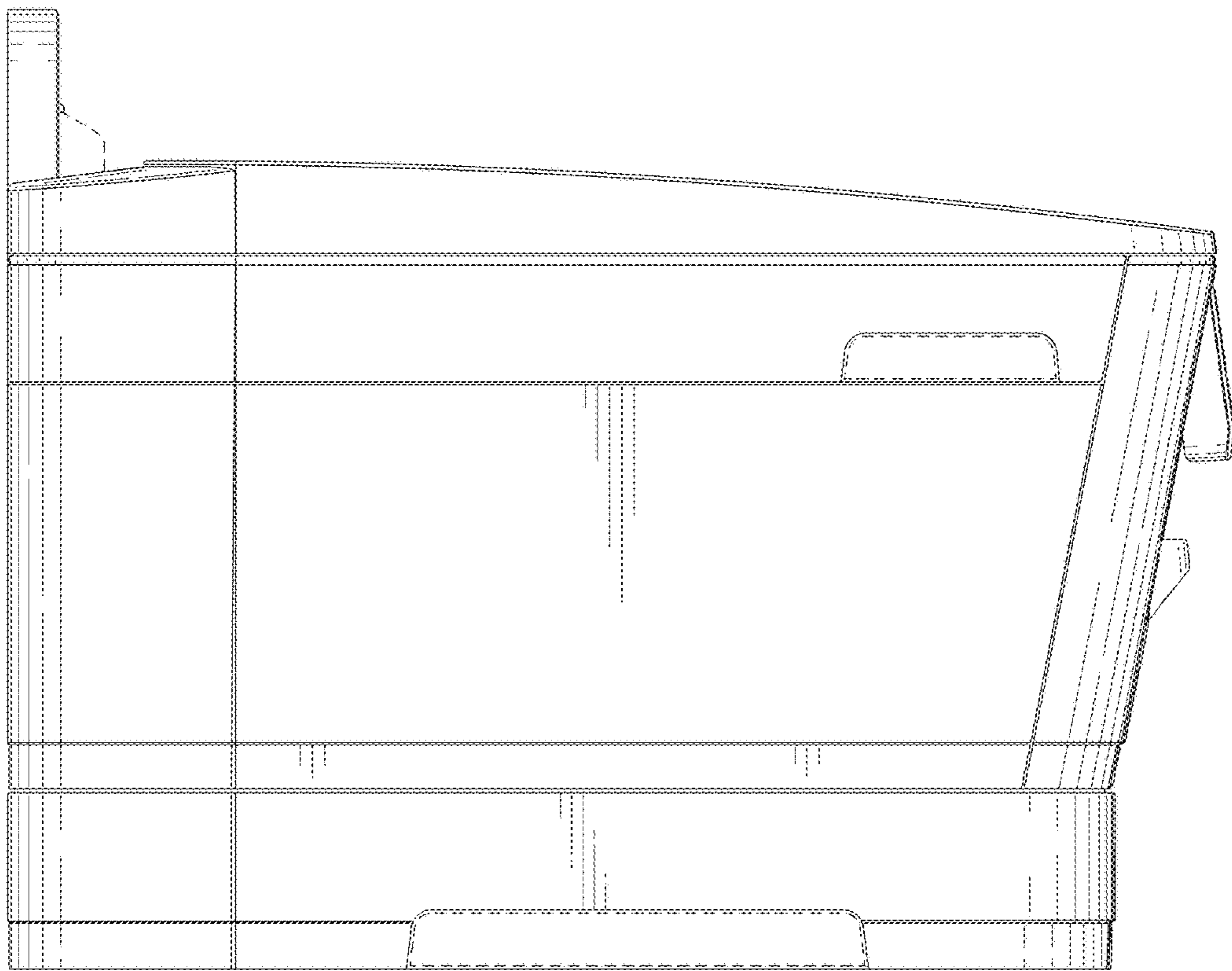


FIG. 5

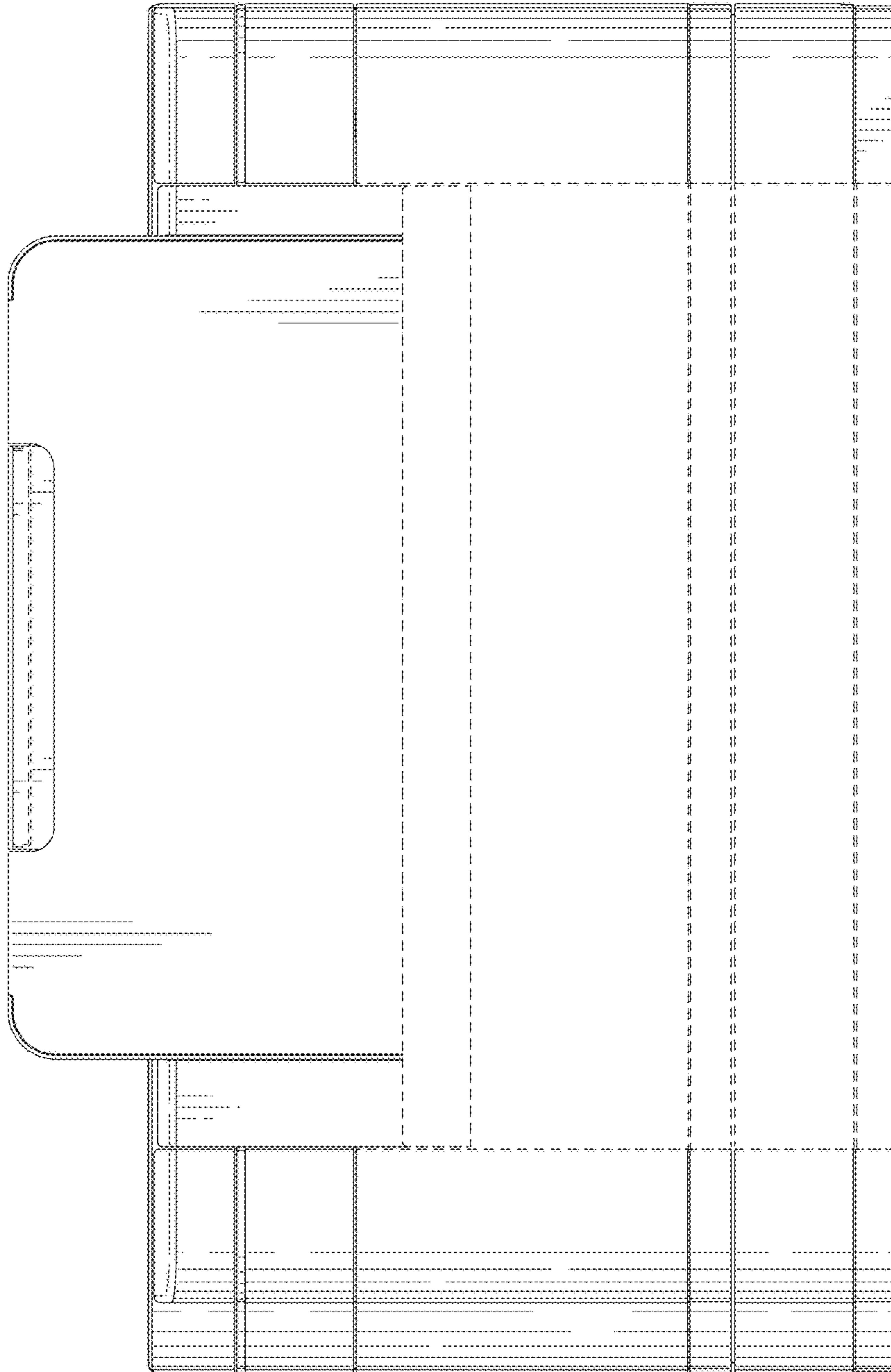


FIG. 6



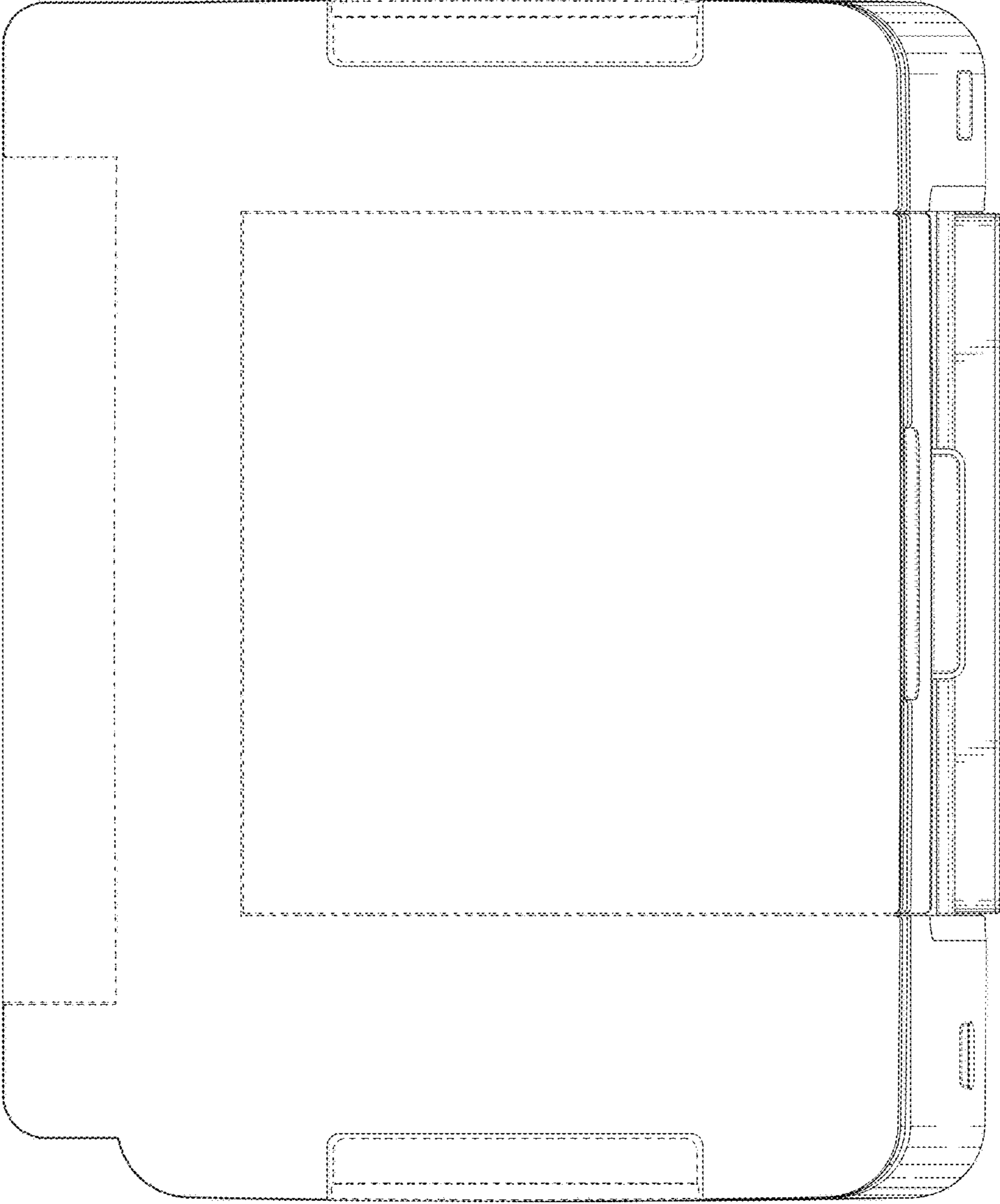


FIG. 7