

US00D818525S

(12) **United States Design Patent**
Burmester

(10) **Patent No.:** **US D818,525 S**
(45) **Date of Patent:** **** May 22, 2018**

(54) **PROTECTIVE COVER FOR A MOBILE PAYMENT DEVICE**

(71) Applicant: **Ergonomic Solutions International Limited**, Epsom, Surrey (GB)

(72) Inventor: **Benny Burmester**, Norresundby (DK)

(73) Assignee: **ERGONOMIC SOLUTIONS INTERNATIONAL LIMITED**, Epsom (GB)

(**) Term: **15 Years**

(21) Appl. No.: **29/588,930**

(22) Filed: **Dec. 24, 2016**

(51) **LOC (11) Cl.** **18-01**

(52) **U.S. Cl.**
USPC **D18/12; D14/440**

(58) **Field of Classification Search**
USPC ... D18/4.6, 4.1, 4.3, 4.4, 4.5, 12, 12.1, 12.3, D18/56, 18; D14/178, 238.1, 239, 307, D14/332, 336, 337, 341, 371, 374-377, D14/385, 386, 420, 421, 440, 447, 448, D14/451, 452, 457, 250, 251-253, 432; D99/28, 34, 35, 36, 37, 43, 99; D21/333; D13/108; D3/218

CPC G07F 7/08; G07F 7/0873; G07F 7/088; G07F 7/0886; G07F 7/0893; G07F 7/1016; G07F 7/1033; G07F 19/00; G07G 1/00; G07G 1/12; G07G 1/0018; G07G 1/0027; G06Q 20/20; G06K 7/083; G06K 7/084; G06K 7/109; F16M 11/10; F16M 11/14; F16M 11/041; F16M 11/08; F16M 11/24; F16M 13/00

See application file for complete search history.

(56) **References Cited**

U.S. PATENT DOCUMENTS

D317,157 S * 5/1991 Jondelius D14/253
D329,749 S * 9/1992 Scheid D3/218

D339,690 S * 9/1993 Takahashi D3/218
D346,275 S * 4/1994 Hayasaka D3/218
D409,018 S * 5/1999 Deuschle D14/217
D476,359 S * 6/2003 Mittler D18/12
D508,605 S * 8/2005 Hwang D3/218
D527,039 S * 8/2006 Colburn D18/12
D543,541 S * 5/2007 Chung D3/218
D586,795 S * 2/2009 Richter D14/253
D610,579 S * 2/2010 Behar D14/250
D620,931 S * 8/2010 Opman D14/250
D689,852 S * 9/2013 Azoulay D14/250
D705,229 S * 5/2014 Wengreen D14/238.1
D710,340 S * 8/2014 Wengreen D14/238.1
D710,363 S * 8/2014 Wengreen D14/432

(Continued)

Primary Examiner — Susan Bennett Hattan

Assistant Examiner — Marie D. Fast Horse

(74) *Attorney, Agent, or Firm* — Berg Hill Greenleaf & Ruscitti, LLP

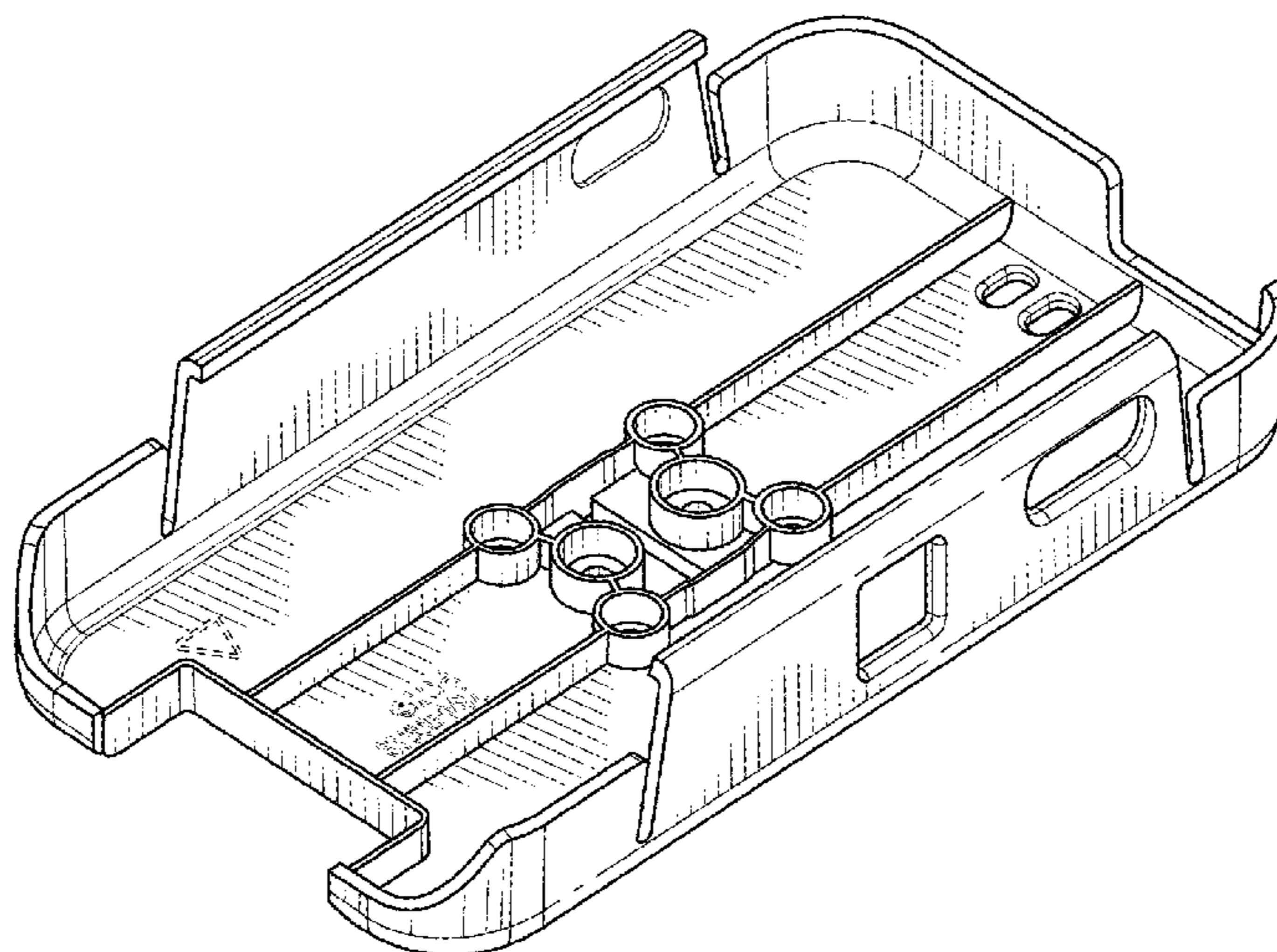
(57) **CLAIM**

I claim the ornamental design for a protective cover for a mobile payment device, as shown and described.

DESCRIPTION

FIG. 1 is a first perspective view of a protective cover showing my new design;
FIG. 2 is a second perspective view of the protective cover;
FIG. 3 is a left side view thereof;
FIG. 4 is a right side view thereof;
FIG. 5 is a top view thereof;
FIG. 6 is a bottom view thereof;
FIG. 7 is a front view thereof; and,
FIG. 8 is a rear view thereof.
The broken lines shown in FIGS. 1, 2, and 7 is for the purposes of showing environment and forms no part of the claimed design.

1 Claim, 4 Drawing Sheets



(56)

References Cited

U.S. PATENT DOCUMENTS

D721,064 S *	1/2015	Sun	D14/250
D756,977 S *	5/2016	Schriefer	D14/250
D763,835 S *	8/2016	Wengreen	D14/238.1
D765,063 S *	8/2016	Wengreen	D14/238.1
D765,064 S *	8/2016	Wengreen	D14/238.1
D766,247 S *	9/2016	Burmester	D14/440
D798,302 S *	9/2017	Burmester	D14/440
D798,305 S *	9/2017	Wengreen	D14/447
2012/0168516 A1 *	7/2012	Bolger	G06K 19/07758 235/492
2015/0201050 A1 *	7/2015	Yang	H04M 1/0202 455/575.8

* cited by examiner

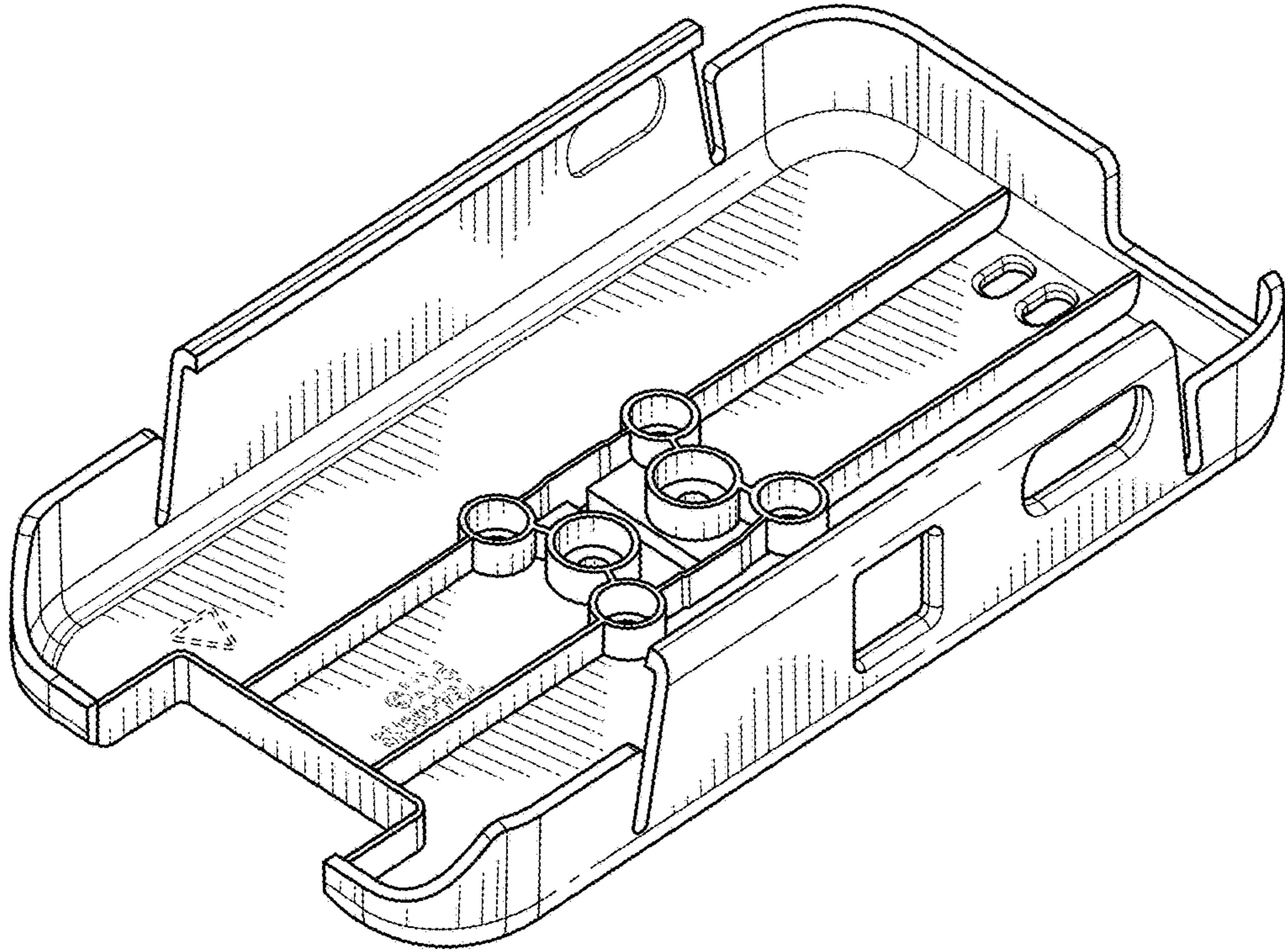


FIG. 1

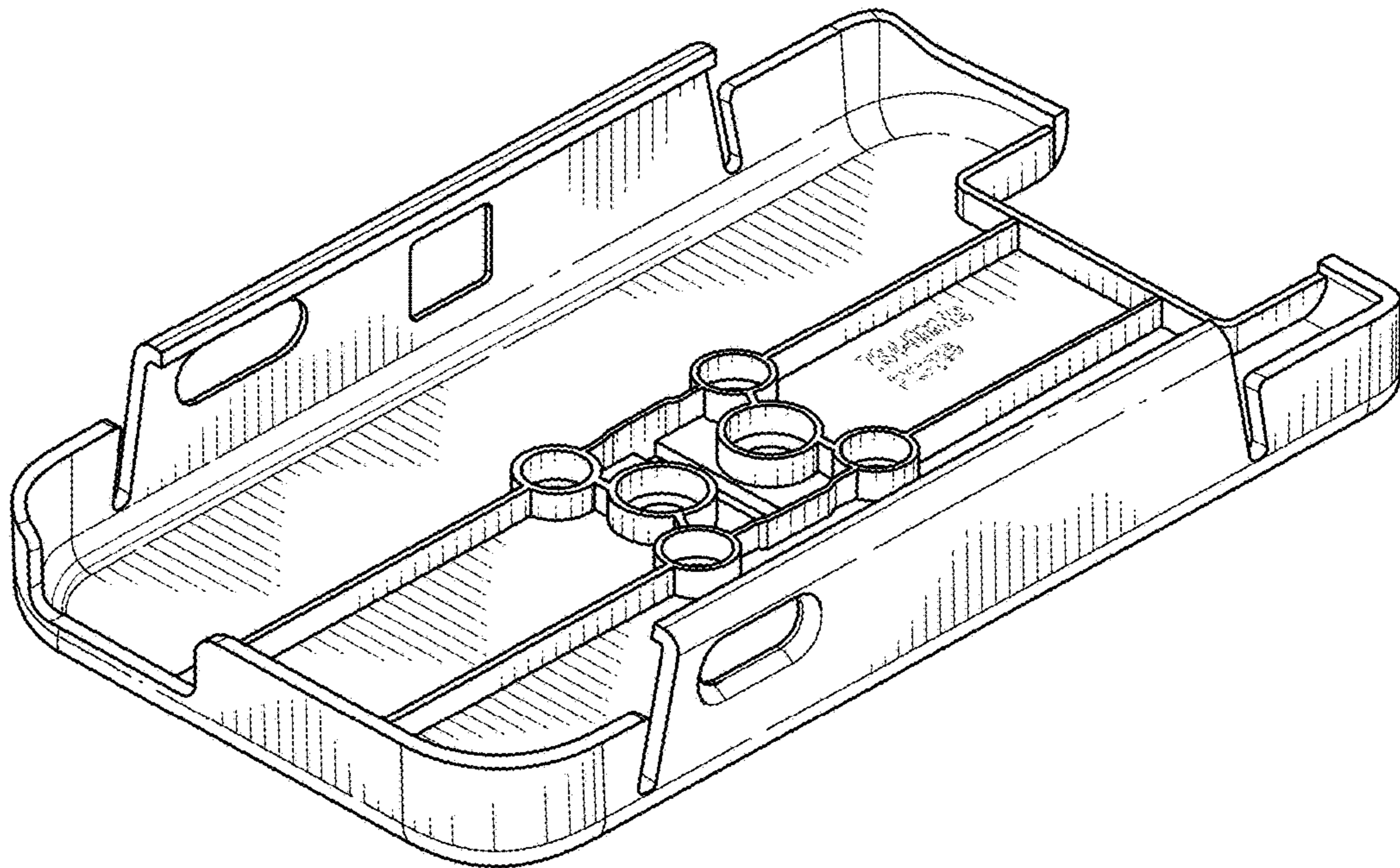


FIG. 2

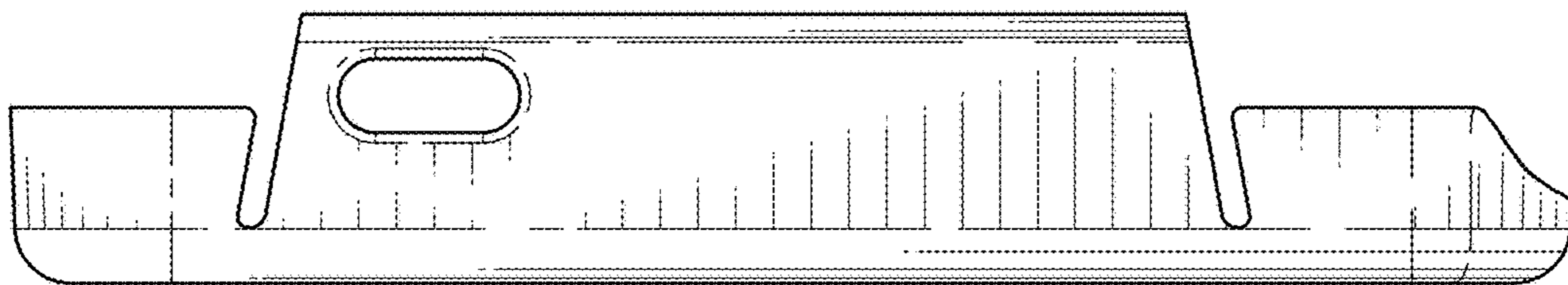


FIG. 3

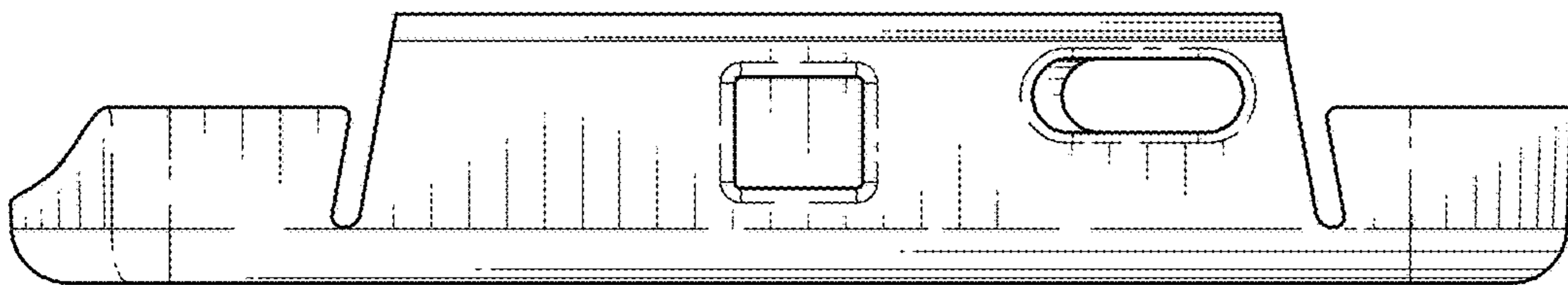


FIG. 4

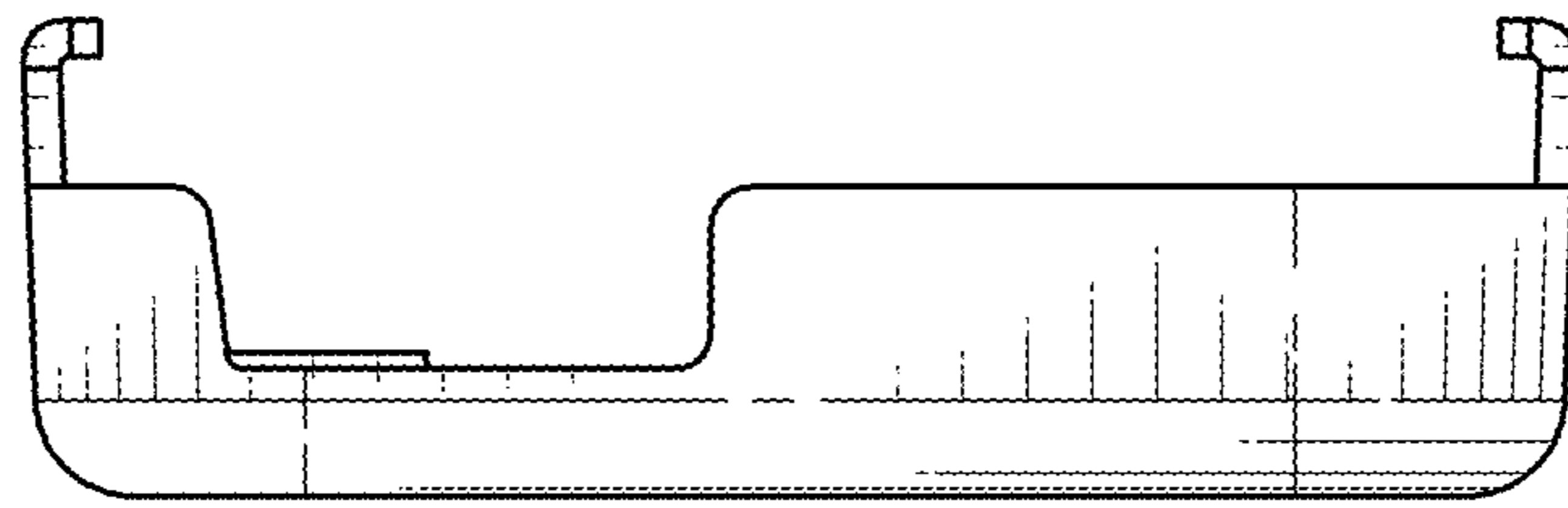


FIG. 5

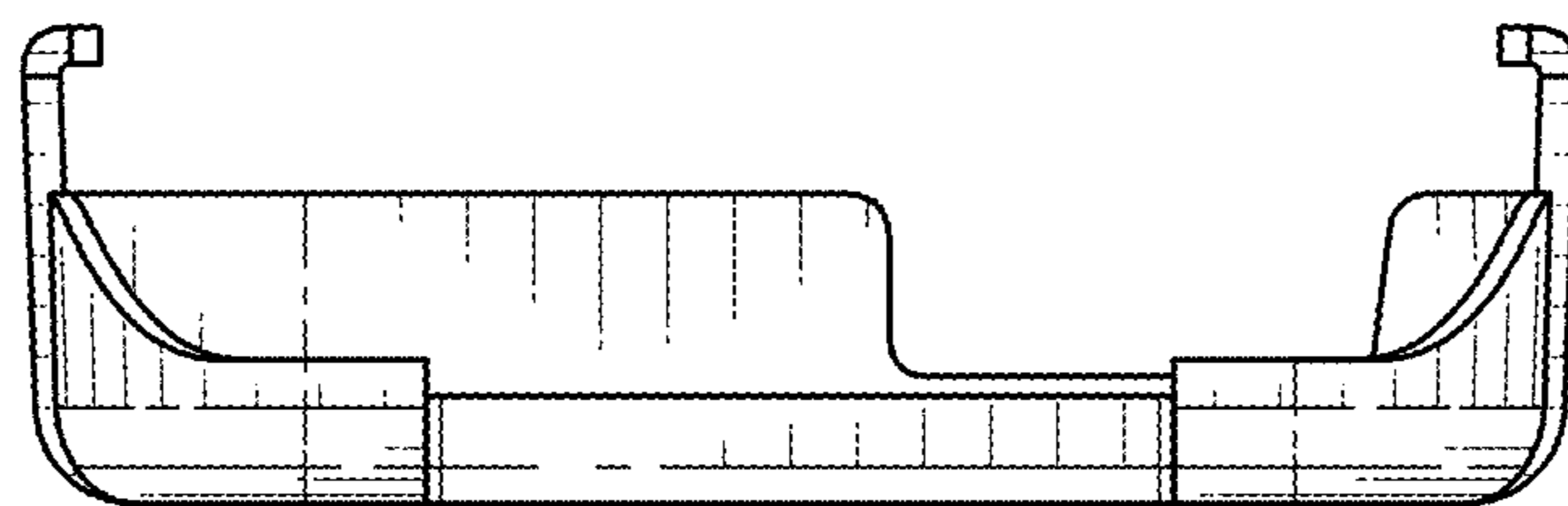


FIG. 6

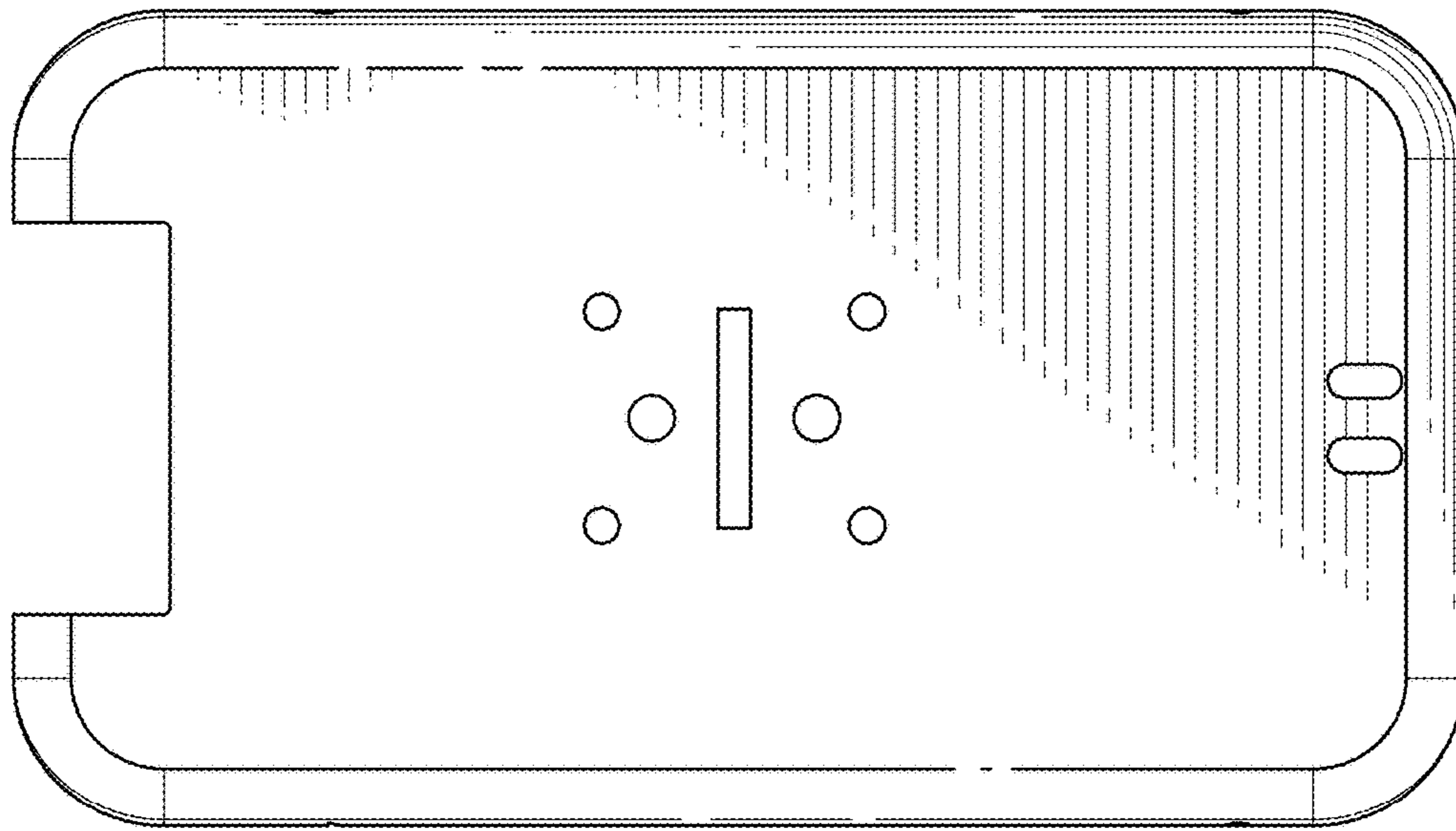


FIG. 8

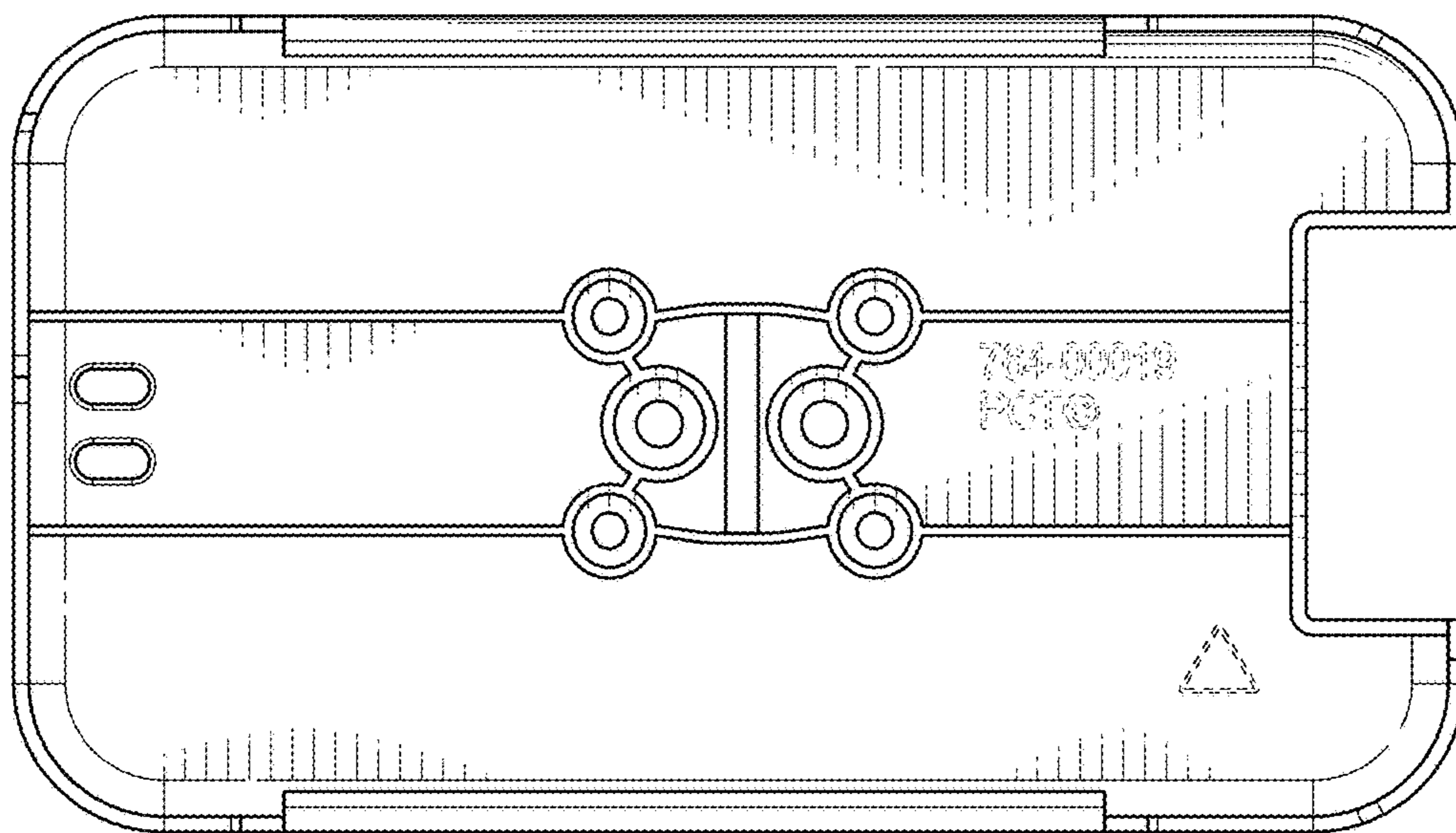


FIG. 7