



US00D818523S

(12) **United States Design Patent**  
**Tsai**

(10) **Patent No.:** **US D818,523 S**

(45) **Date of Patent:** **\*\* May 22, 2018**

(54) **STRINGED INSTRUMENT**

(71) Applicant: **TEAM INTERNATIONAL MUSIC CO., LTD.**, Guanxi Township, Hsinchu County (TW)

(72) Inventor: **Yu-Ting Tsai**, Taoyuan (TW)

(73) Assignee: **TEAM INTERNATIONAL MUSIC CO., LTD.**, Hsinchu County (TW)

(\*\*) Term: **15 Years**

(21) Appl. No.: **29/568,304**

(22) Filed: **Jun. 16, 2016**

(51) **LOC (11) Cl.** ..... **17-03**

(52) **U.S. Cl.**  
USPC ..... **D17/14**

(58) **Field of Classification Search**  
USPC ... D17/1, 7, 8, 9, 10, 13, 14, 18, 19, 24, 99;  
D14/217, 341, 345, 346; D9/665  
CPC ..... G10D 7/066; G10D 7/08; G10D 9/02;  
G10D 1/08; G10C 1/00; G10C 1/02;  
G10C 1/04; G10C 3/00; G10H 1/18;  
G10H 1/34

See application file for complete search history.

(56) **References Cited**

**U.S. PATENT DOCUMENTS**

D27,560 S \* 8/1897 Howe ..... 84/291  
D27,561 S \* 8/1897 Back ..... 84/267

D43,684 S \* 3/1913 Weymann ..... 84/268  
2,649,827 A \* 8/1953 Maccaferri ..... G10D 1/08  
84/291  
D286,400 S \* 10/1986 Moller ..... D14/143  
D521,046 S \* 5/2006 Martinez ..... D17/14  
D542,464 S \* 5/2007 Chen ..... D17/14  
D550,275 S \* 9/2007 Cook ..... D17/14  
D553,180 S \* 10/2007 Cook ..... D17/14  
D655,330 S \* 3/2012 Tsai ..... D17/14  
D777,244 S \* 1/2017 McMahon ..... D17/14

\* cited by examiner

*Primary Examiner* — John Windmuller

*Assistant Examiner* — Benjamin M Weeks

(74) *Attorney, Agent, or Firm* — Hamre, Schumann,  
Mueller & Larson, P.C.

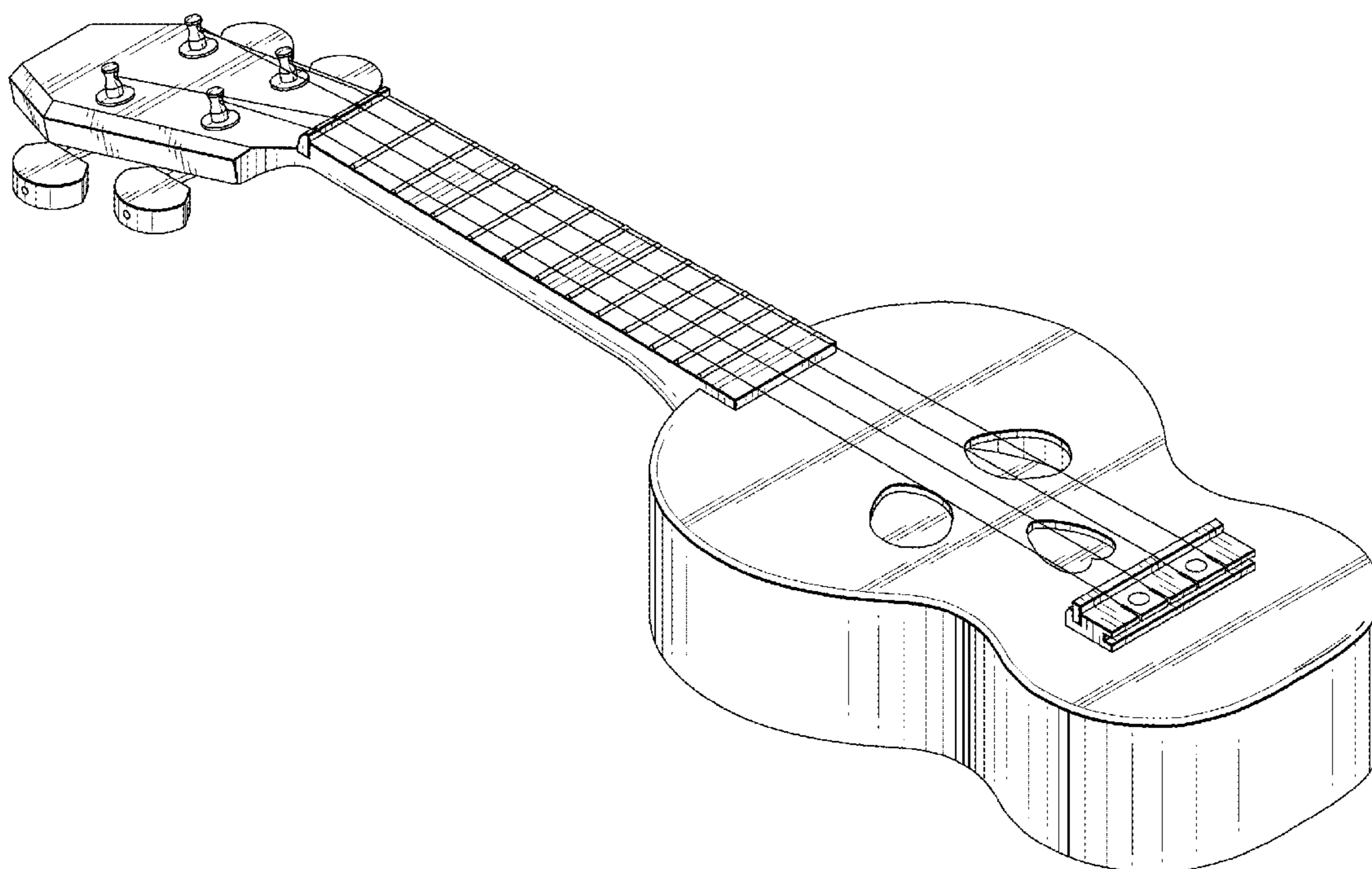
(57) **CLAIM**

The ornamental design for a stringed instrument, as shown and described.

**DESCRIPTION**

FIG. 1 is a perspective view of the stringed instrument showing my new design;  
FIG. 2 is a front elevational view thereof;  
FIG. 3 is a rear elevational view thereof;  
FIG. 4 is a left side elevational view thereof;  
FIG. 5 is a right side elevational view thereof;  
FIG. 6 is a top plan view thereof; and,  
FIG. 7 is a bottom plan view thereof.

**1 Claim, 5 Drawing Sheets**



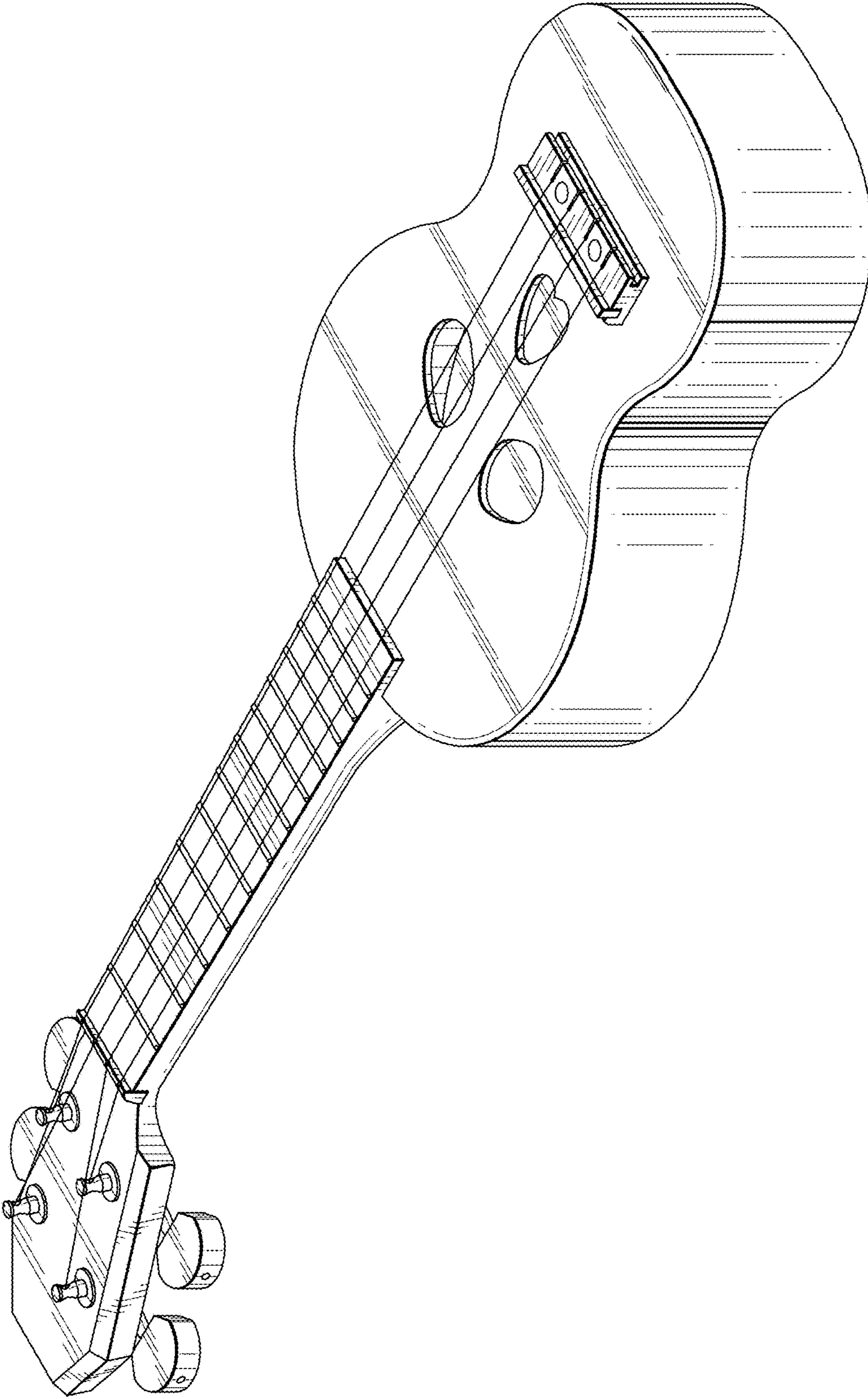


FIG. 1

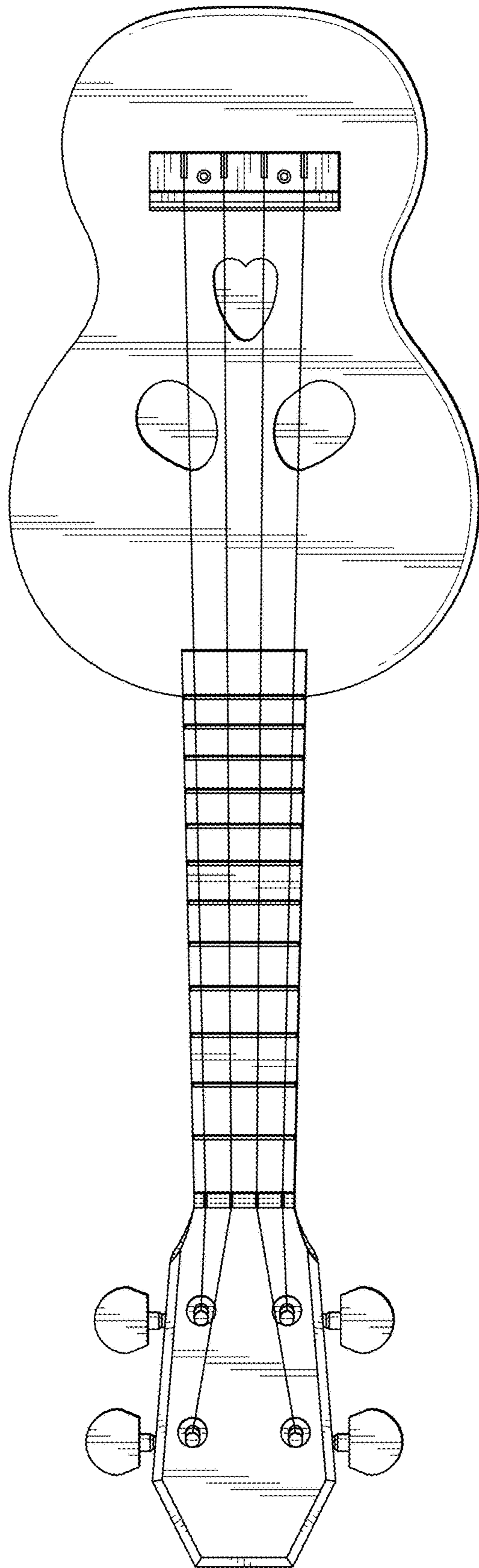


FIG. 2

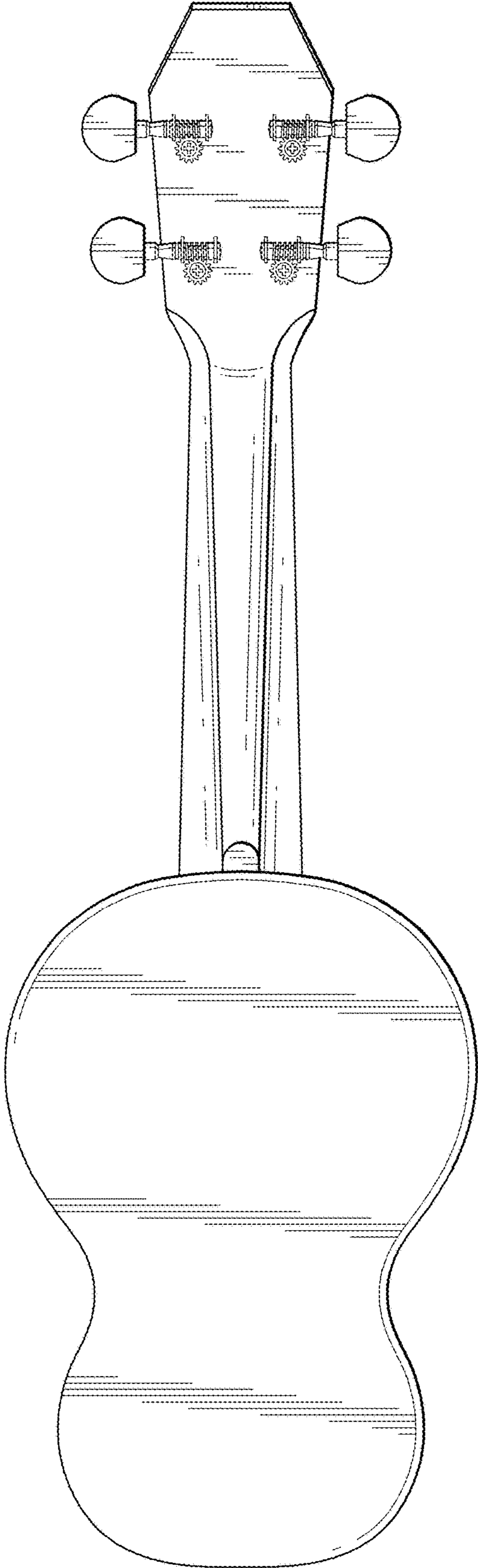


FIG. 3

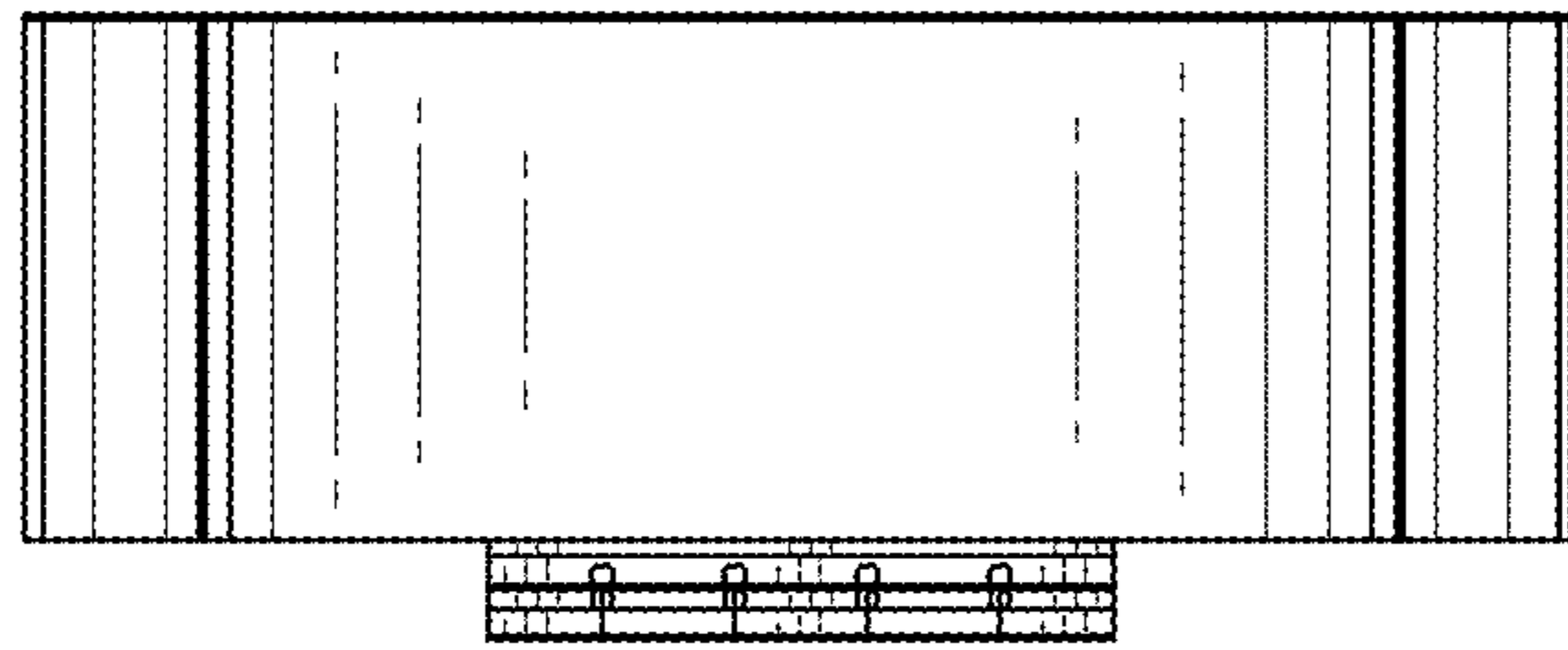


FIG. 5

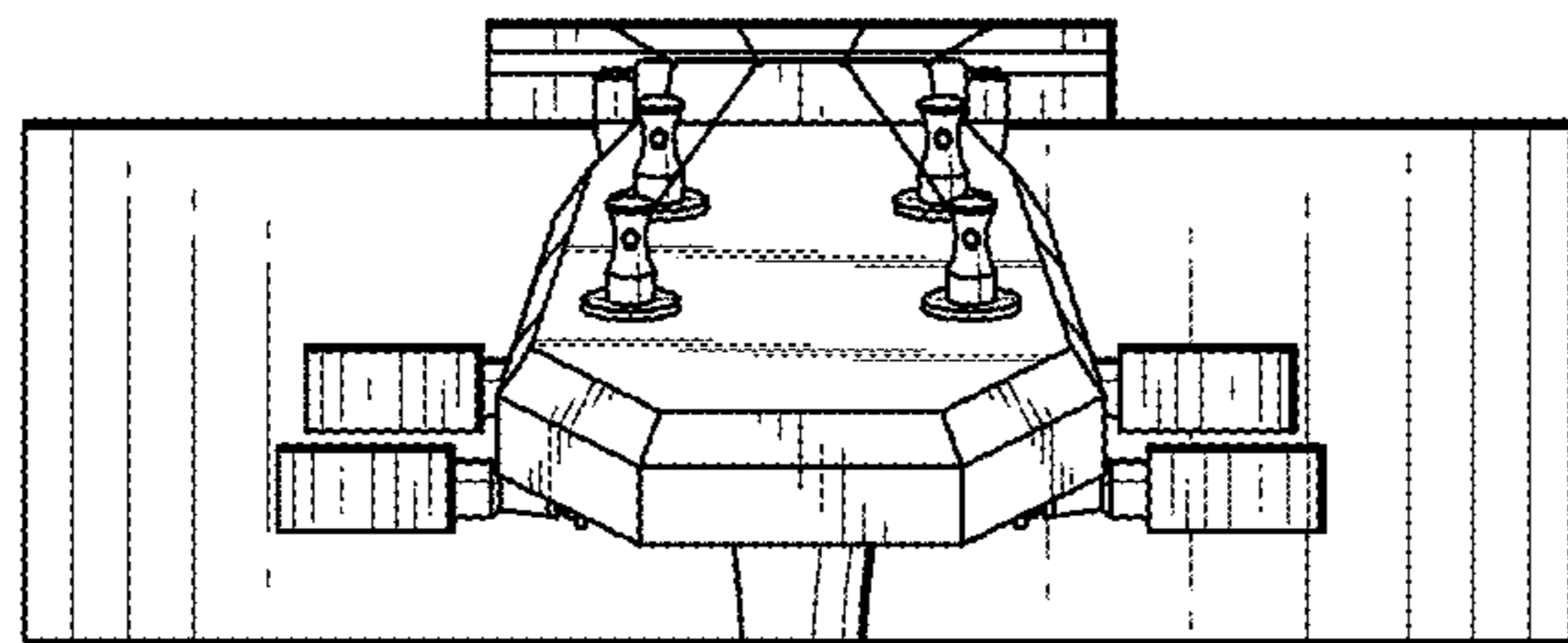


FIG. 4

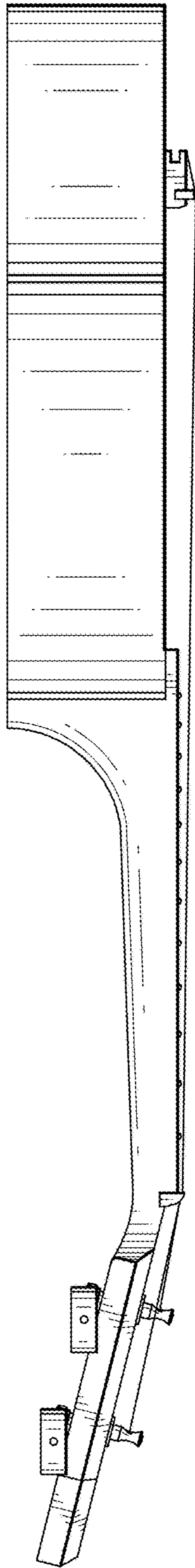


FIG. 6

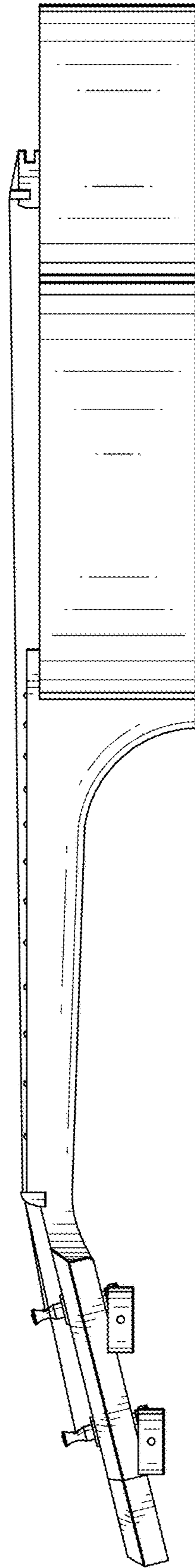


FIG. 7