



US00D818518S

(12) **United States Design Patent** (10) **Patent No.:** **US D818,518 S**
Ahman et al. (45) **Date of Patent:** **** May 22, 2018**

(54) **PAN/TILT MOUNT FOR A CAMERA**

(71) Applicant: **Axis AB**, Lund (SE)

(72) Inventors: **Daniel Ahman**, Lomma (SE); **Gustav Aronsson**, Malmo (SE); **Jonas Lellky**, Veberod (SE); **Mathias Walter**, Arlov (SE); **Mattias Bognas**, Malmo (SE); **Morten Bergstrom**, Lund (SE)

(73) Assignee: **AXIS AB**, Lund (SE)

(**) Term: **15 Years**

(21) Appl. No.: **29/579,323**

(22) Filed: **Sep. 29, 2016**

(30) **Foreign Application Priority Data**

Mar. 31, 2016 (EM) 003050160

(51) **LOC (11) Cl.** **16-05**

(52) **U.S. Cl.**
USPC **D16/242**; D16/203

(58) **Field of Classification Search**
USPC D8/354-355, 363, 394-395; D14/217, D14/251, 253; D16/200, 203, 214, 219, D16/235, 237, 239, 242-245, 250; D26/87-93, 145
CPC G03B 17/14; G03B 17/56; G03B 17/561-17/568; G03B 15/041-15/0436; G02B 7/00-7/002; G02B 7/02-7/04; F16M 11/02; F16M 11/04; F16M 11/20; F16M 11/40

See application file for complete search history.

(56) **References Cited**

U.S. PATENT DOCUMENTS

2,550,568 A * 4/1951 Kersh A47G 19/2272 215/11.1
D218,196 S * 7/1970 Merino et al. D16/130
D231,139 S * 4/1974 Stohel D19/85
D364,316 S * 11/1995 Humphrey D7/510

D435,253 S * 12/2000 Oden, II D13/108
6,215,445 B1 * 4/2001 Chang H01Q 1/084 343/702
D451,504 S * 12/2001 Edwards D14/253
D452,236 S * 12/2001 Kohli D14/243

(Continued)

FOREIGN PATENT DOCUMENTS

EM 002344721-04 11/2012
EM 002344721-01 11/2013

(Continued)

OTHER PUBLICATIONS

Axis | Products & Solutions | Network Cameras | Positioning Cameras, posted on Feb. 20, 2018, © 2018 Axis Communications AB [online], [site visited Mar. 22, 2018]. Available from Internet, <URL: <https://www.axis.com/en-us/products/positioning-cameras/>>.*

Primary Examiner — Philip S Hyder

Assistant Examiner — Cary M Robinson

(74) *Attorney, Agent, or Firm* — Volpe and Koenig, P.C.

(57) **CLAIM**

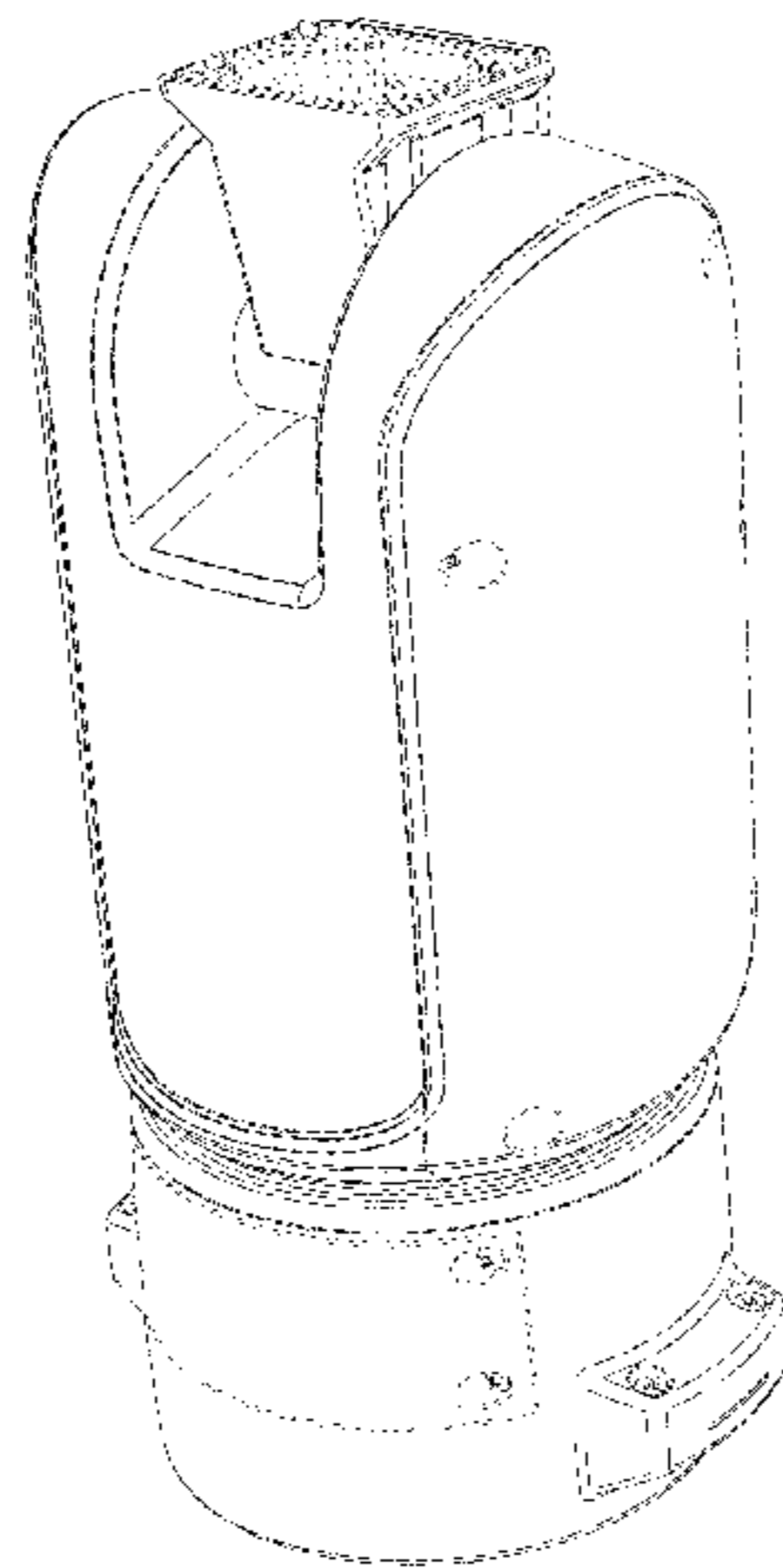
We claim the ornamental design for a pan/tilt mount for a camera, as shown and described.

DESCRIPTION

FIG. 1 is a top, front, right perspective view of a pan/tilt mount for a camera in accordance with our design; FIG. 2 is a top plan view thereof; FIG. 3 is a front elevational view thereof; FIG. 4 is a left side elevational view thereof; FIG. 5 is a right side elevational view thereof; FIG. 6 is a bottom plan view thereof; and, FIG. 7 is a rear elevational view thereof.

The broken lines in the figures illustrate portions of the pan/tilt mount for a camera in which the design is embodied and form no part of the claimed design.

1 Claim, 7 Drawing Sheets



(56)

References Cited

U.S. PATENT DOCUMENTS

D460,962 S * 7/2002 Peiker D14/253
D462,337 S * 9/2002 Schmidt D14/149
D478,073 S * 8/2003 Topinka D14/253
D524,807 S * 7/2006 Topinka D14/253
D771,614 S * 11/2016 Chang D14/253
D780,249 S * 2/2017 Ramsthaller D16/242
D803,840 S * 11/2017 Burmester D14/447
D809,047 S * 1/2018 Borg D16/203
D809,048 S * 1/2018 Andersson D16/203
2015/0275943 A1 * 10/2015 Chang F16B 2/12
248/205.8
2017/0337789 A1 * 11/2017 Rosenkvist G03B 17/561

FOREIGN PATENT DOCUMENTS

EM 002344721-02 11/2013
EM 002344721-03 11/2013
TW D106655 8/1993

* cited by examiner

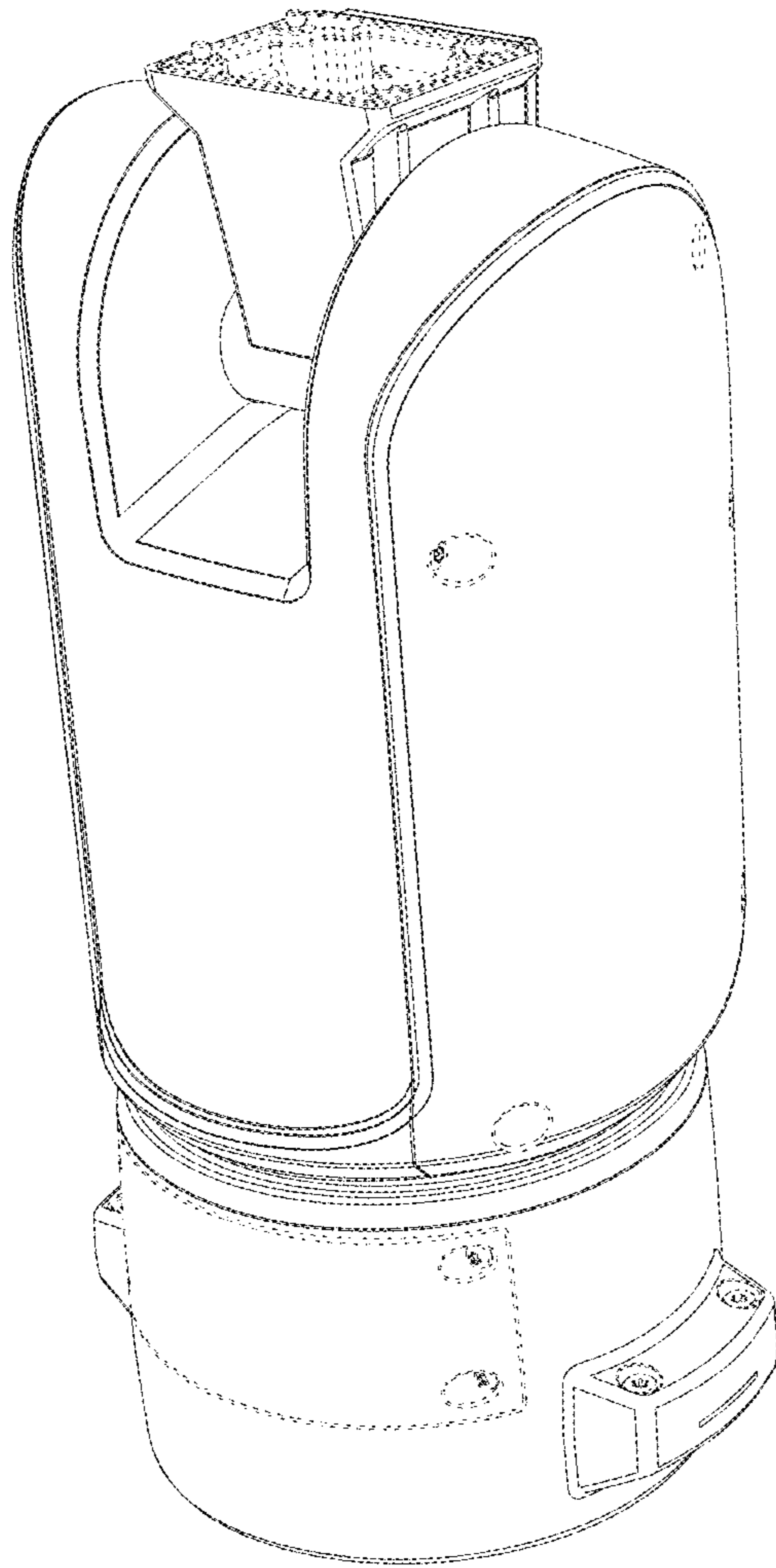


Figure 1

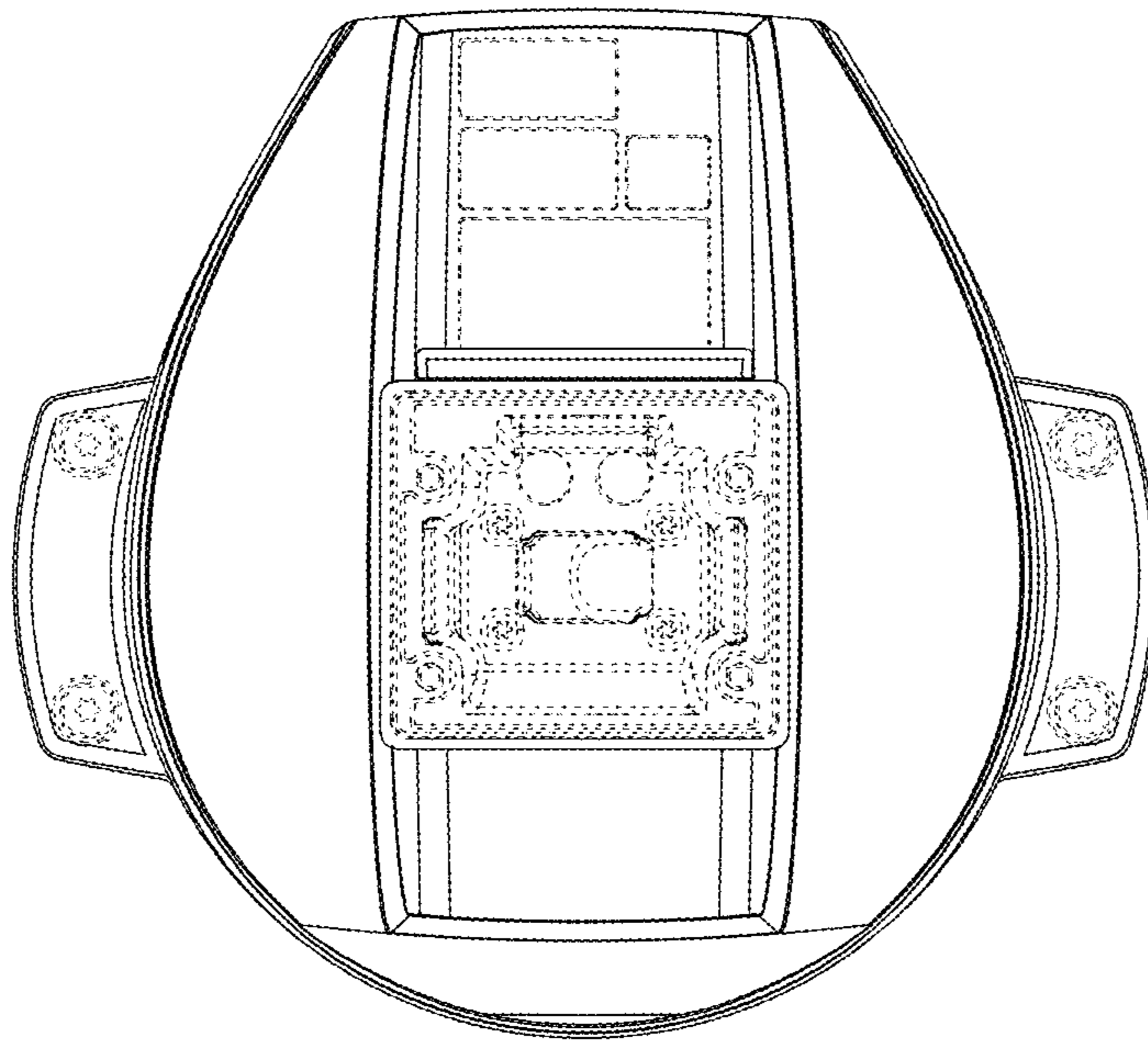


Figure 2

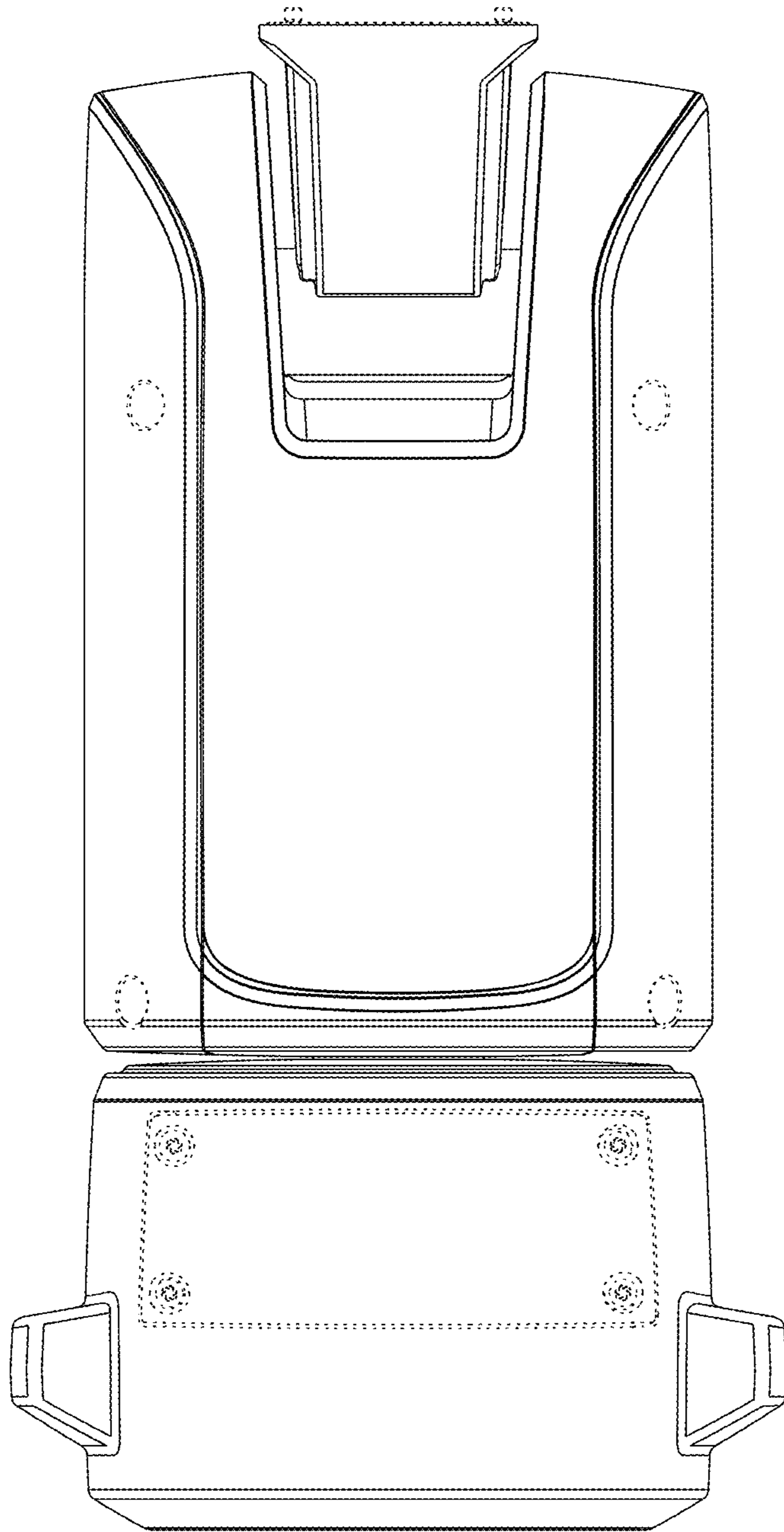


Figure 3

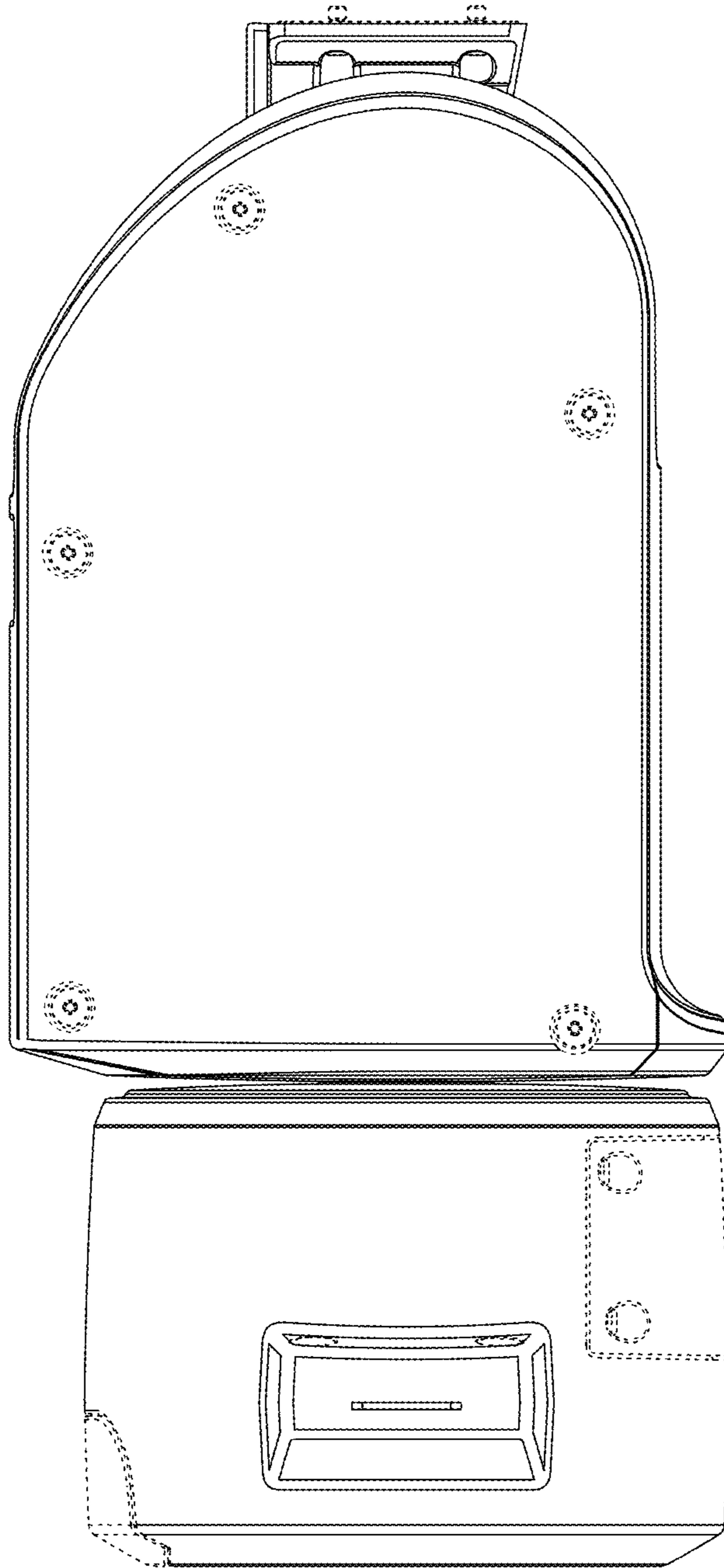


Figure 4

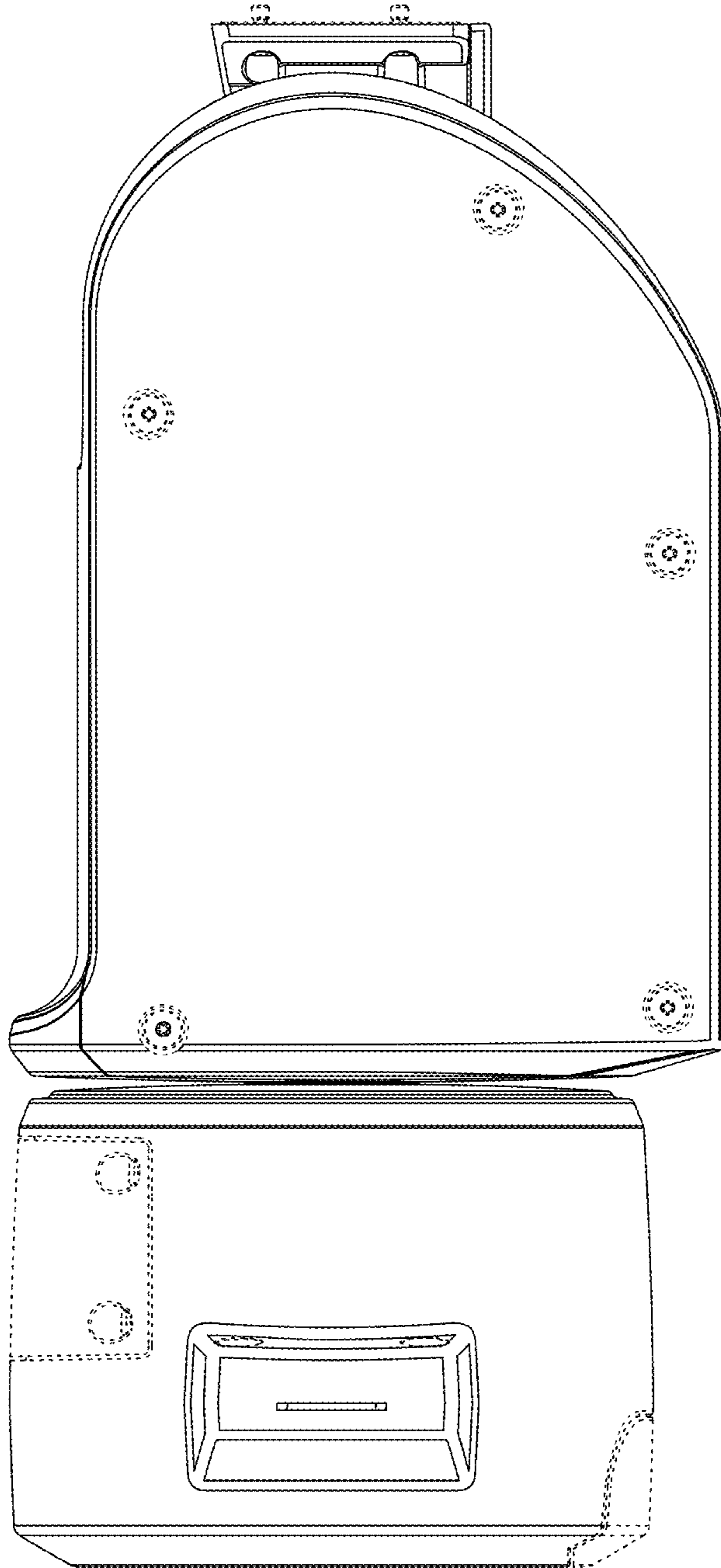


Figure 5

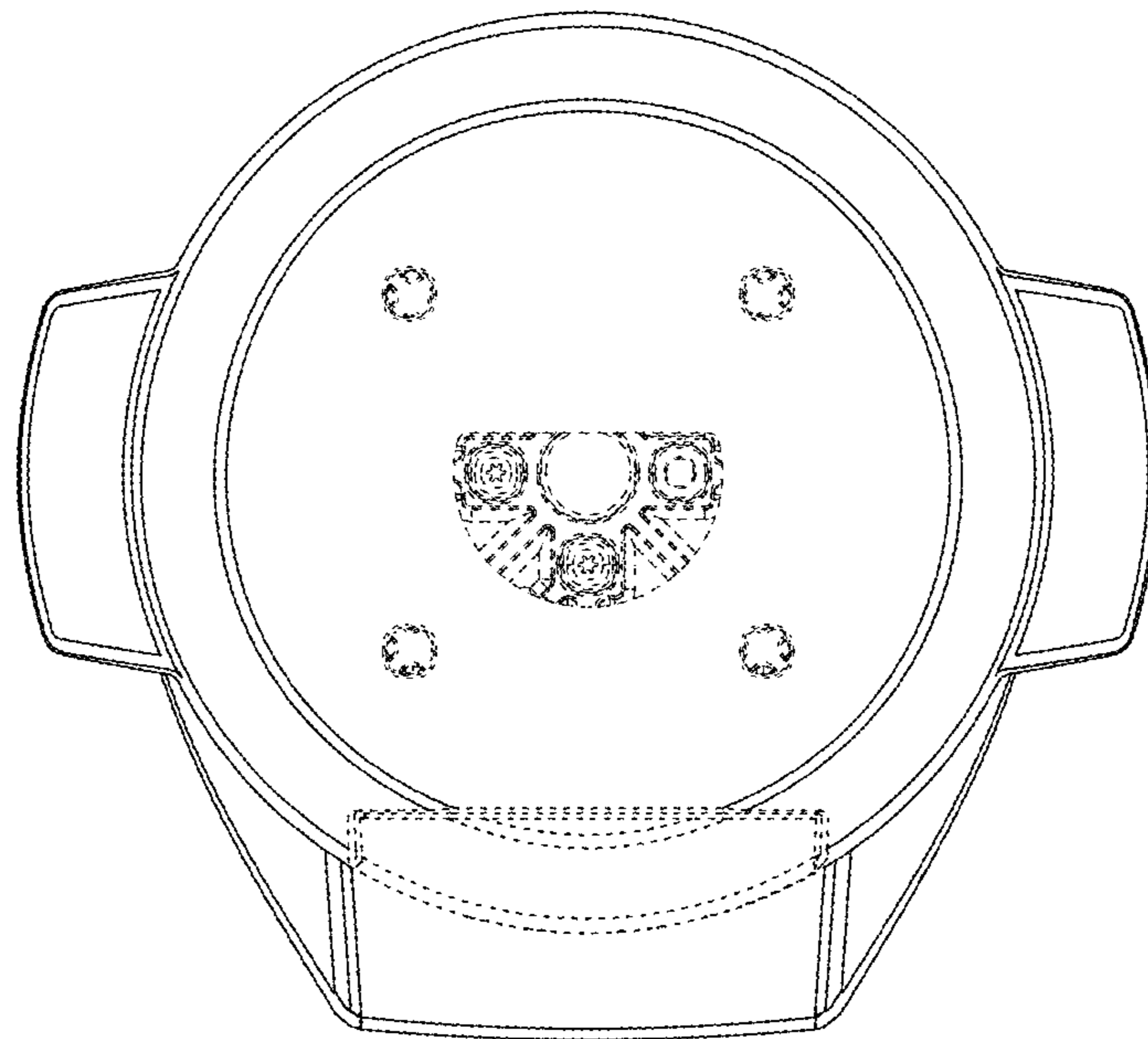


Figure 6

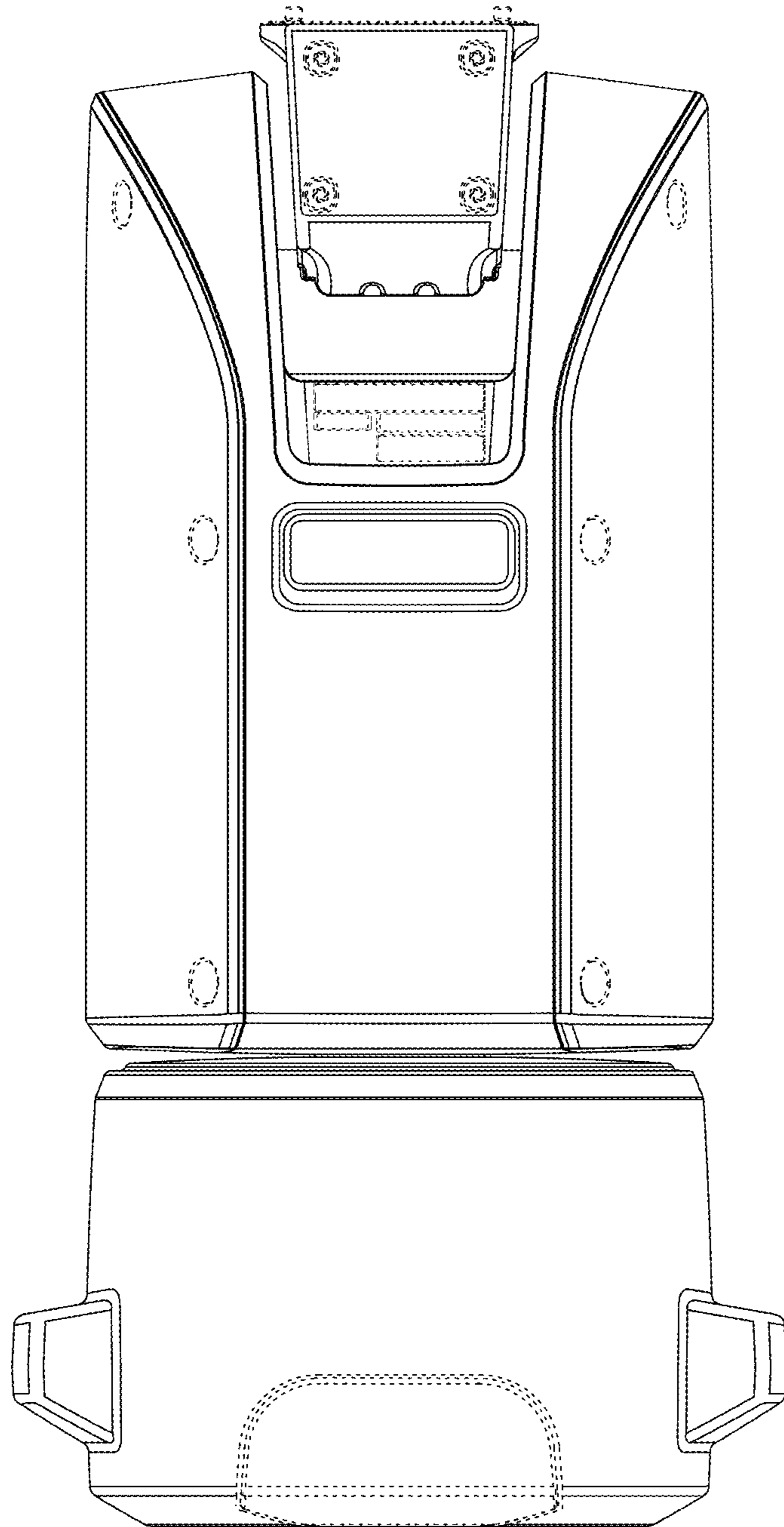


Figure 7