



US00D818516S

(12) **United States Design Patent**  
**Yamakose et al.**

(10) **Patent No.:** **US D818,516 S**  
(45) **Date of Patent:** **\*\* May 22, 2018**

(54) **DOCUMENT CAMERA**

(71) Applicant: **Elmo Co., Ltd.**, Nagoya-shi, Aichi (JP)

(72) Inventors: **Hiroshi Yamakose**, Nagoya (JP);  
**Hiroshi Mameda**, Nagoya (JP);  
**Tetsuro Kato**, Nagoya (JP); **Yusuke Dohi**, Nagoya (JP)

(73) Assignee: **Elmo Co., Ltd.**, Nagoya-shi (JP)

(\*\*) Term: **15 Years**

(21) Appl. No.: **29/576,834**

(22) Filed: **Sep. 7, 2016**

(30) **Foreign Application Priority Data**

May 25, 2016 (JP) ..... D2016-011092

(51) **LOC (11) Cl.** ..... **16-01**

(52) **U.S. Cl.**  
USPC ..... **D16/211**; D16/232; D16/229; D14/423;  
D26/65

(58) **Field of Classification Search**

USPC ..... D16/200–220, 232, 235, 239, 242, 243,  
D16/244, 245, 250; D14/423, 229, 251;  
D18/107

CPC ..... G02B 5/00; G03B 11/04; G03B 17/00;  
G03B 17/02; G03B 9/08; H04N 5/2251;  
H04N 5/232; H04N 7/00; F16M 13/00

See application file for complete search history.

(56) **References Cited**

**U.S. PATENT DOCUMENTS**

D195,908 S \* 8/1963 Sigmond ..... D16/214  
D476,658 S \* 7/2003 Adachi ..... D14/423  
D573,146 S \* 7/2008 Sukenari ..... D14/431  
D602,063 S \* 10/2009 Su ..... D14/423  
D607,482 S \* 1/2010 Inoue ..... D14/423

(Continued)

**FOREIGN PATENT DOCUMENTS**

EM 001996406-0001 \* 2/2012

**OTHER PUBLICATIONS**

Elmo MX-1, announced Apr. 10, 2017 [online], [site visited Sep. 29, 2017], Available from Internet, URL: <https://elmoeurope.com/elmo-mx-1-wins-rave-best-ise-award-best-new-document-camera-2017/>.\*

(Continued)

*Primary Examiner* — Barbara Fox

*Assistant Examiner* — Mary C Ramirez

(74) *Attorney, Agent, or Firm* — Posz Law Group, PLC

(57) **CLAIM**

The ornamental design for a document camera, as shown and described.

**DESCRIPTION**

FIG. 1 is a front, top, and left side perspective view of a document camera showing our new design;

FIG. 2 is a front view thereof;

FIG. 3 is a rear view thereof;

FIG. 4 is a right side view thereof;

FIG. 5 is a left side view thereof;

FIG. 6 is a top view thereof;

FIG. 7 is a bottom view thereof;

FIG. 8 is a perspective view of the document camera showing a state that is suitable for storing the document camera by rotating a camera body and an upper frame to support the camera body;

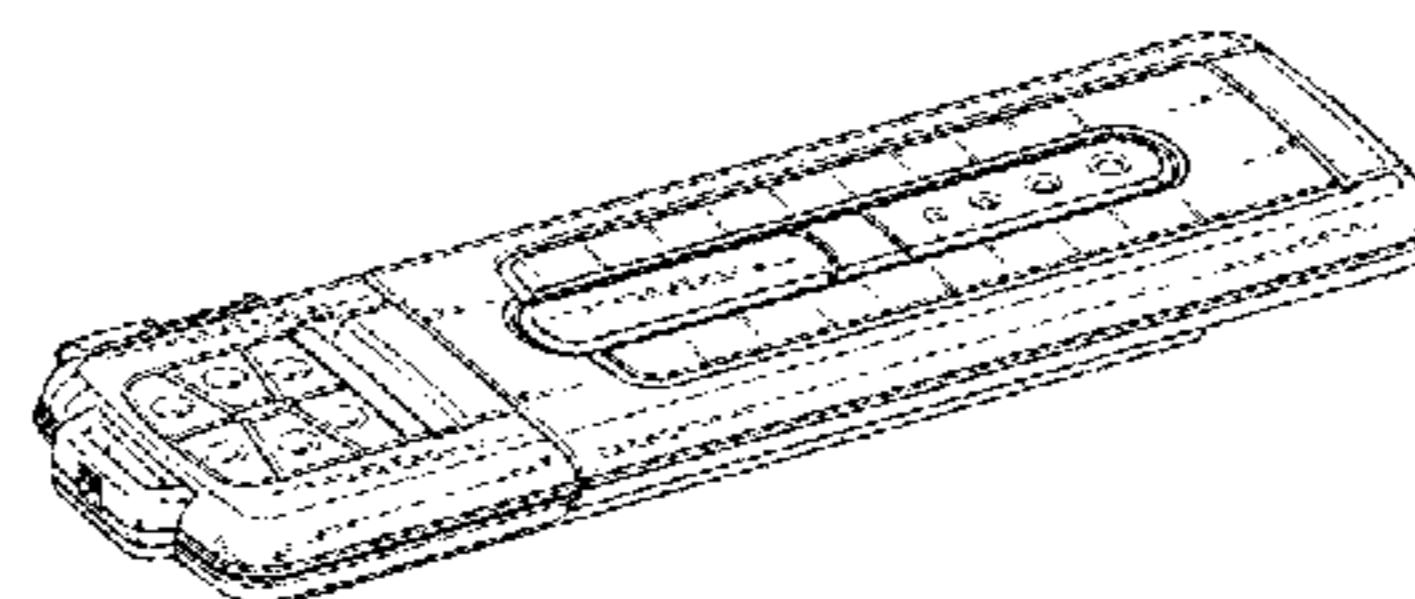
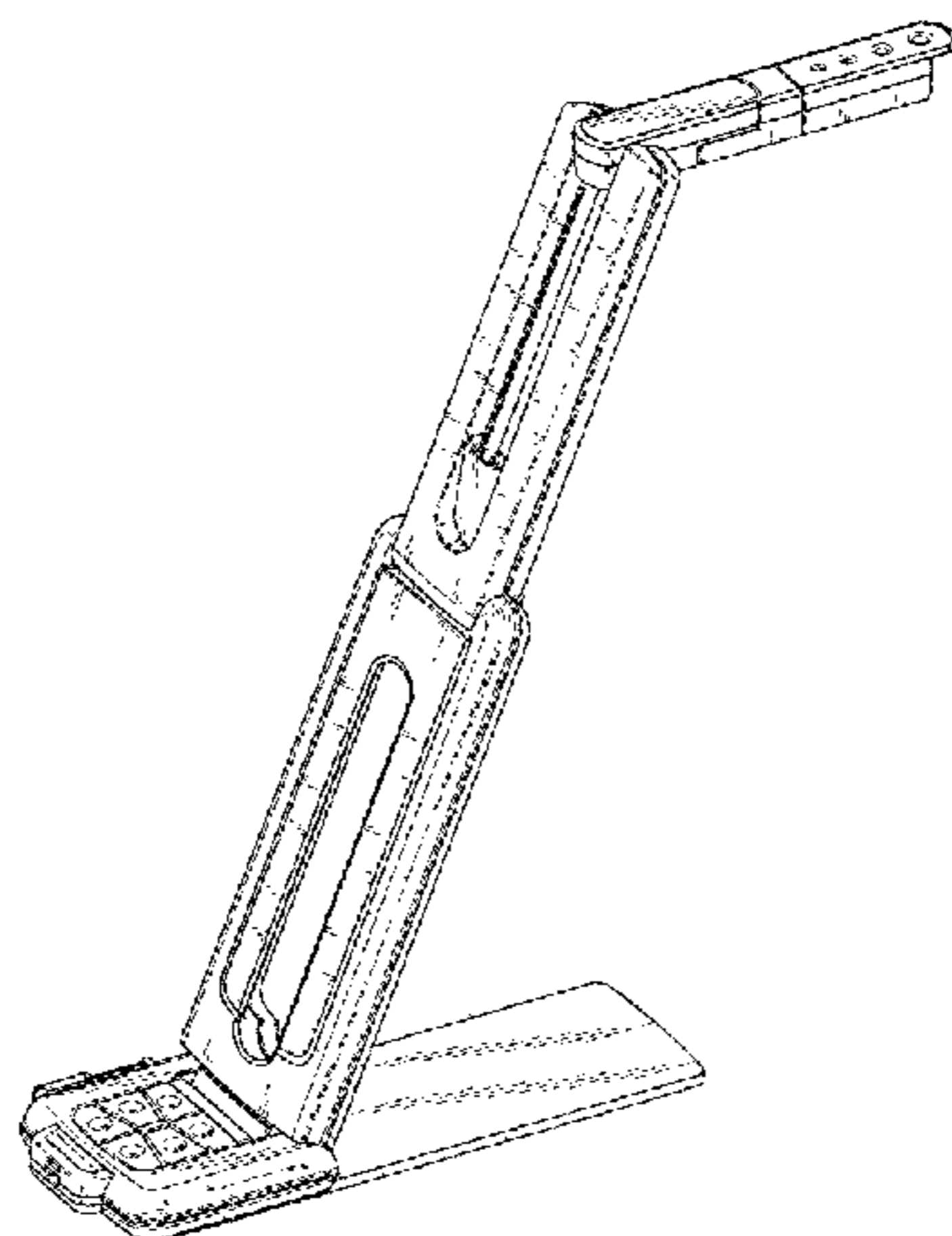
FIG. 9 is a perspective view of the document camera showing the camera body in a downward position;

FIG. 10 is a perspective view of the document camera showing the camera housing in an alternate position; and,

FIG. 11 is a perspective view of the document camera in another alternate position.

The broken lines shown in the figures are included for the purpose of depicting portions of the document camera that form no part of the claimed design.

**1 Claim, 11 Drawing Sheets**



(56)

References Cited

U.S. PATENT DOCUMENTS

D642,608 S \* 8/2011 Kato ..... D14/423  
 D649,672 S \* 11/2011 Wang ..... D26/65  
 D651,635 S \* 1/2012 Hong ..... D14/423  
 D667,042 S \* 9/2012 Shen ..... D14/423  
 D677,707 S \* 3/2013 Shen ..... D16/232  
 D678,383 S \* 3/2013 Park ..... D16/232  
 D685,017 S \* 6/2013 Kato ..... D16/235  
 D699,242 S \* 2/2014 Hu ..... D14/423  
 D715,300 S \* 10/2014 Shen ..... D14/423  
 D717,289 S \* 11/2014 Takabatake ..... D14/252  
 D717,855 S \* 11/2014 Hong ..... D14/423  
 D719,602 S \* 12/2014 Tada ..... D16/208  
 D753,209 S \* 4/2016 Zetsu ..... D16/208  
 D782,558 S \* 3/2017 Tabuchi ..... D16/214  
 2007/0279519 A1\* 12/2007 Sukenari ..... F16M 11/048  
 348/373  
 2007/0280676 A1\* 12/2007 Sukenari ..... F16M 11/048  
 396/428

2008/0291321 A1\* 11/2008 Maruyama ..... G03B 21/30  
 348/373  
 2010/0201801 A1\* 8/2010 Maruyama ..... H04N 5/2251  
 348/82  
 2010/0238273 A1\* 9/2010 Luisi ..... G03B 17/00  
 348/48  
 2013/0148017 A1\* 6/2013 Furusawa ..... H04N 5/2252  
 348/376  
 2017/0176843 A1\* 6/2017 Yamakose ..... G03B 17/561

OTHER PUBLICATIONS

Elmo Visual Presenter MX-1, date unknown [online], [site visited Sep. 29, 2017], Available from Internet, URL: <<https://www.electronicwhiteboardwarehouse.com/media/custom/upload/File-1478255201.pdf>>.\*  
 Elmo USA MX-1, announced 2017[online], [site visited Sep. 29, 2017], Available from Internet, URL: <<https://www.elmoussa.com/product/mx-1/>>.\*

\* cited by examiner

FIG. 1

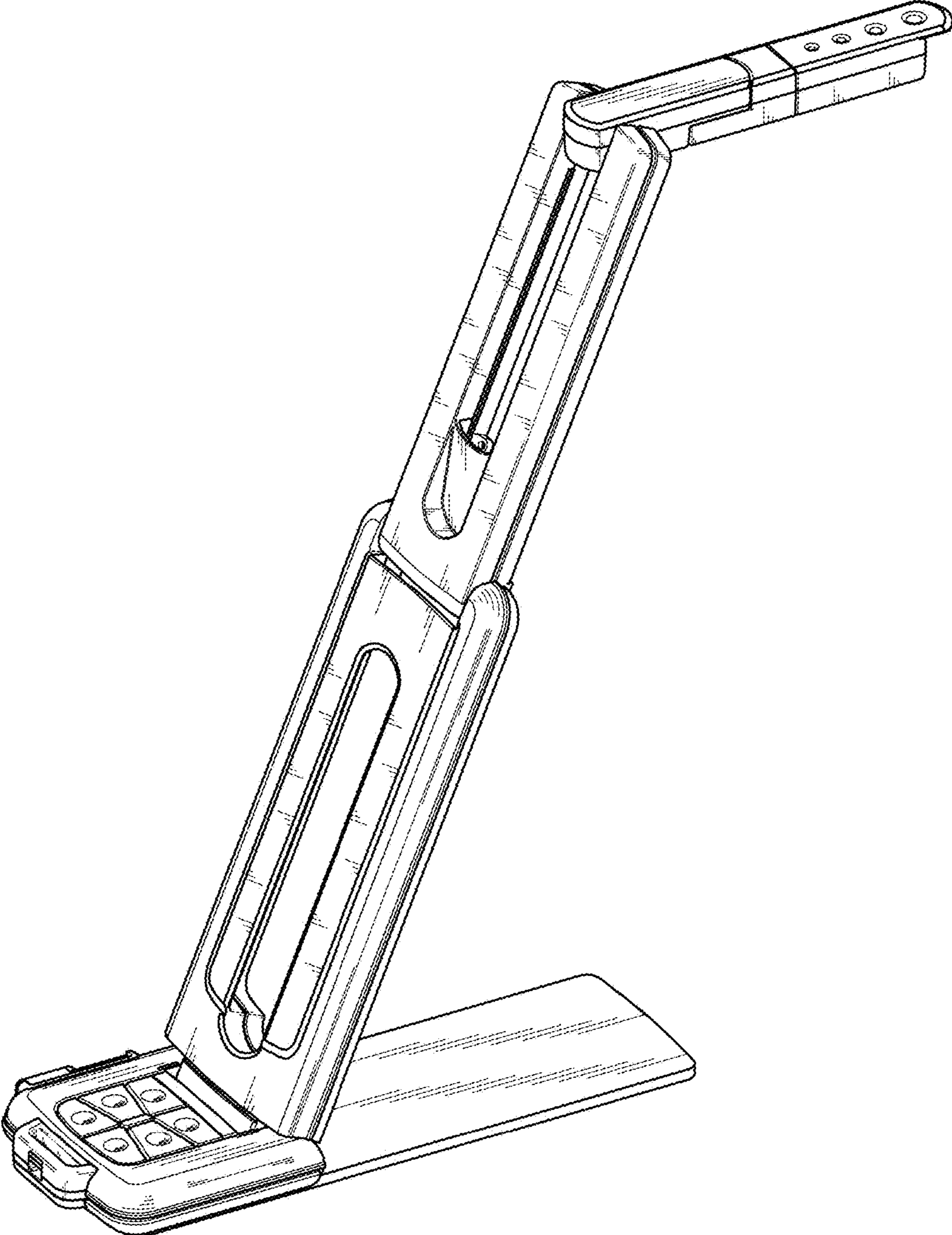


FIG. 2

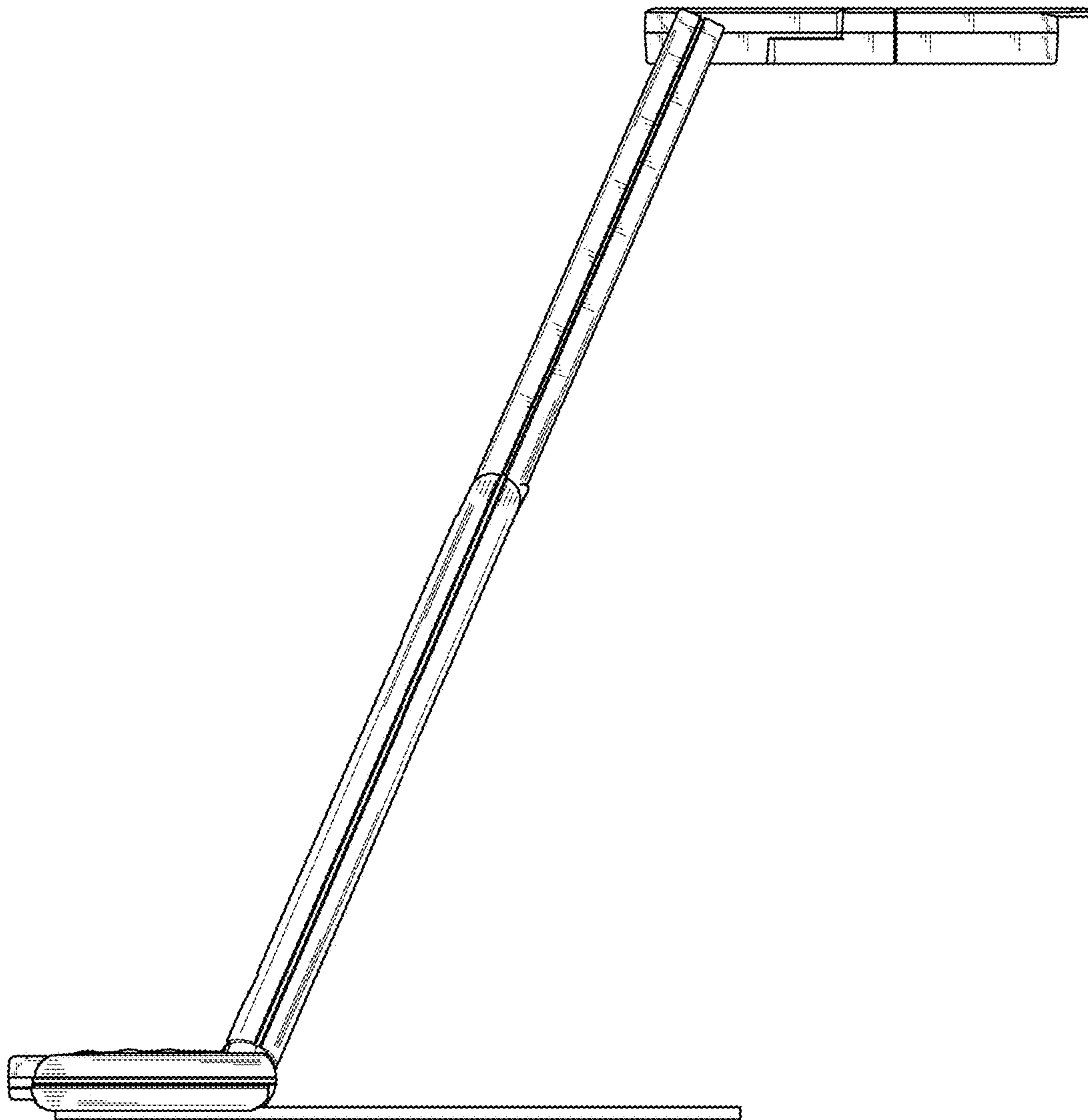


FIG. 3

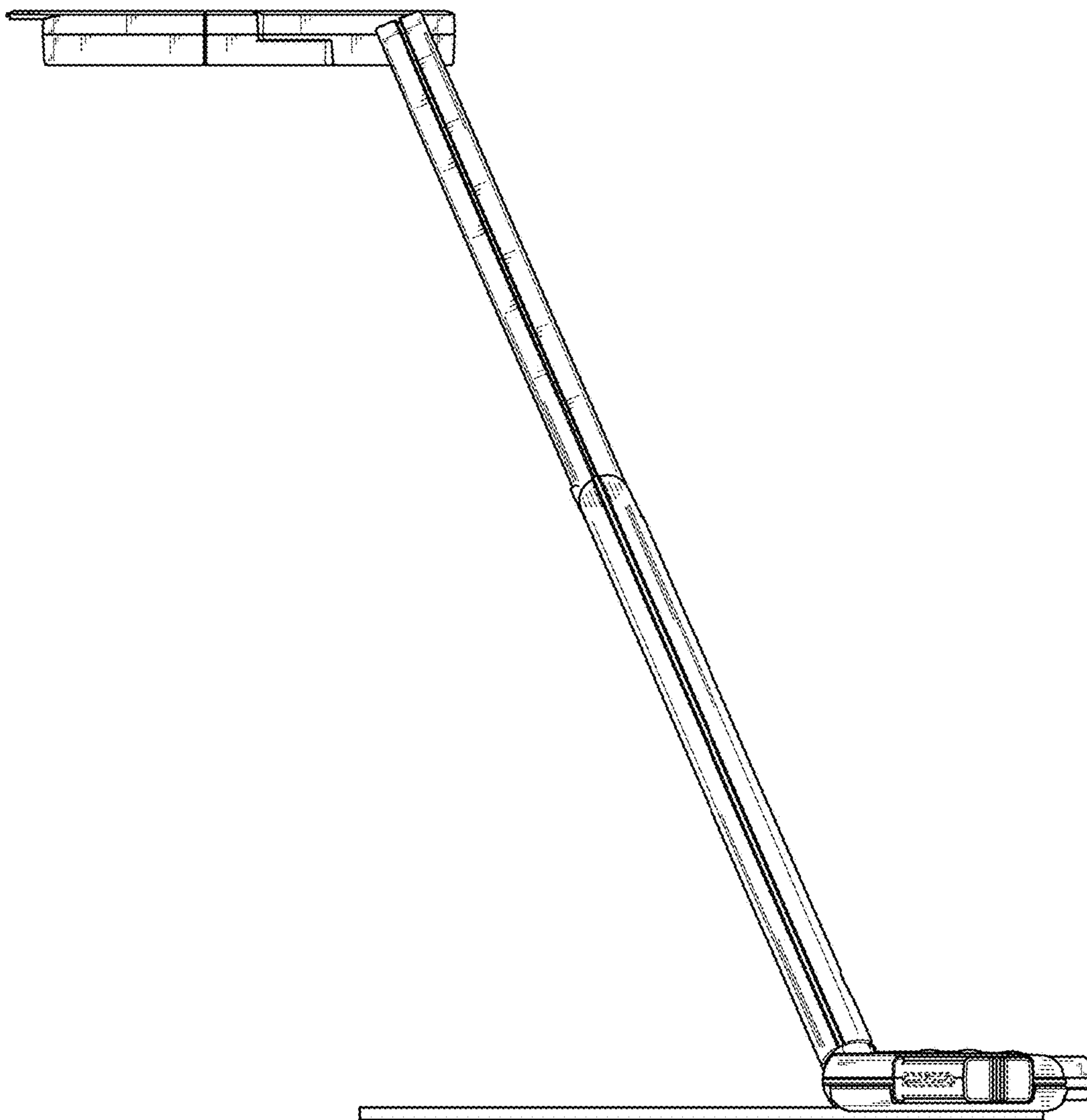


FIG. 4

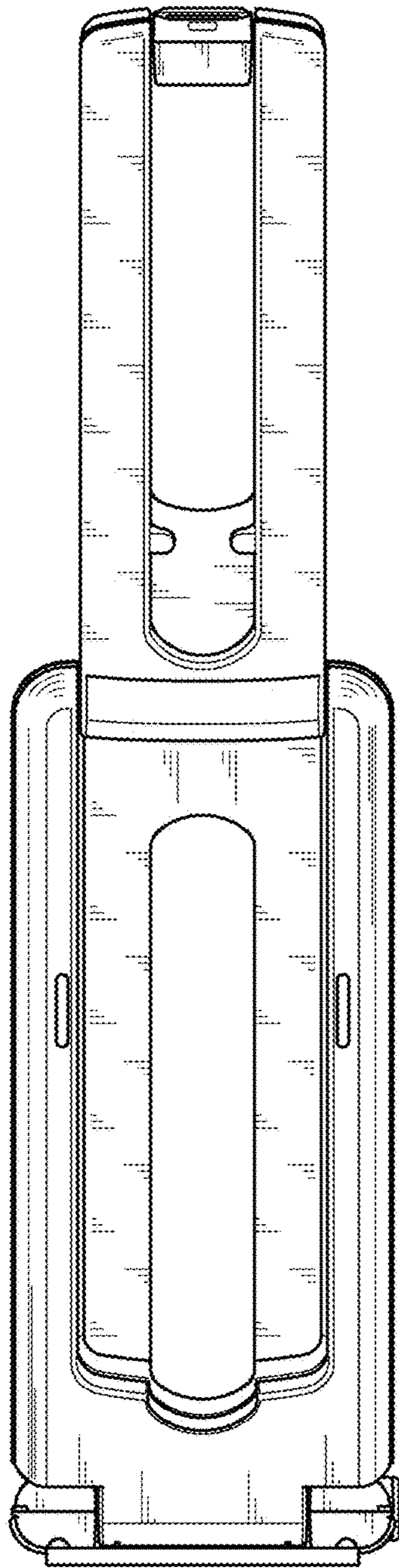


FIG. 5

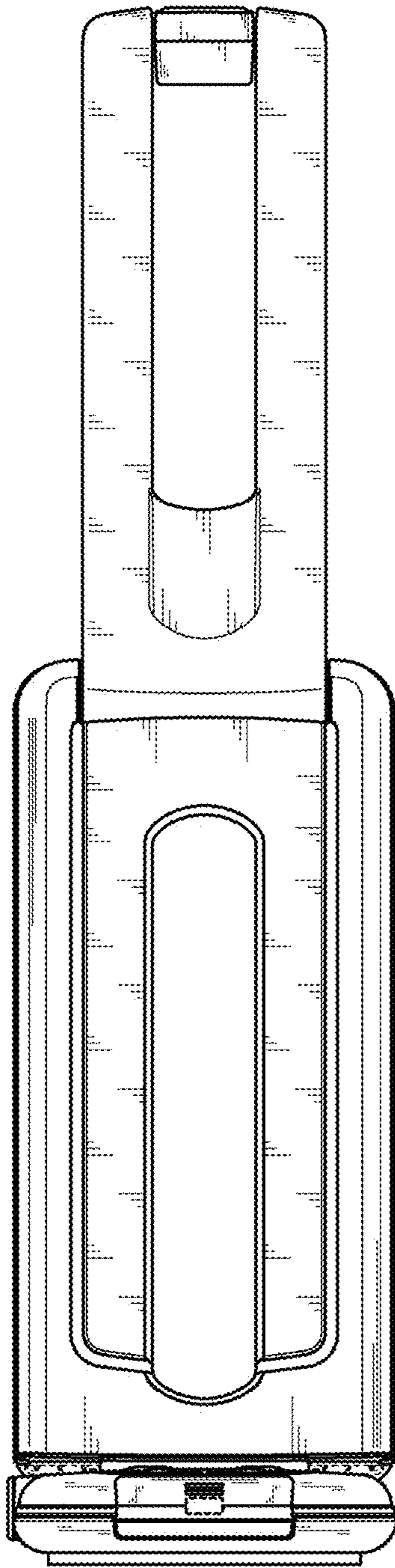


FIG. 6

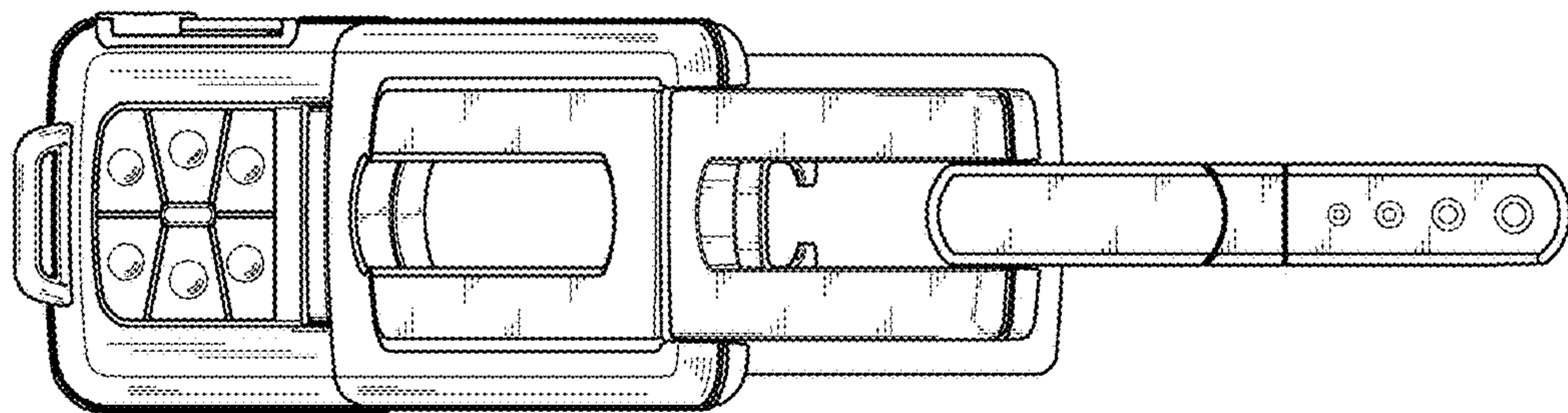




FIG. 7

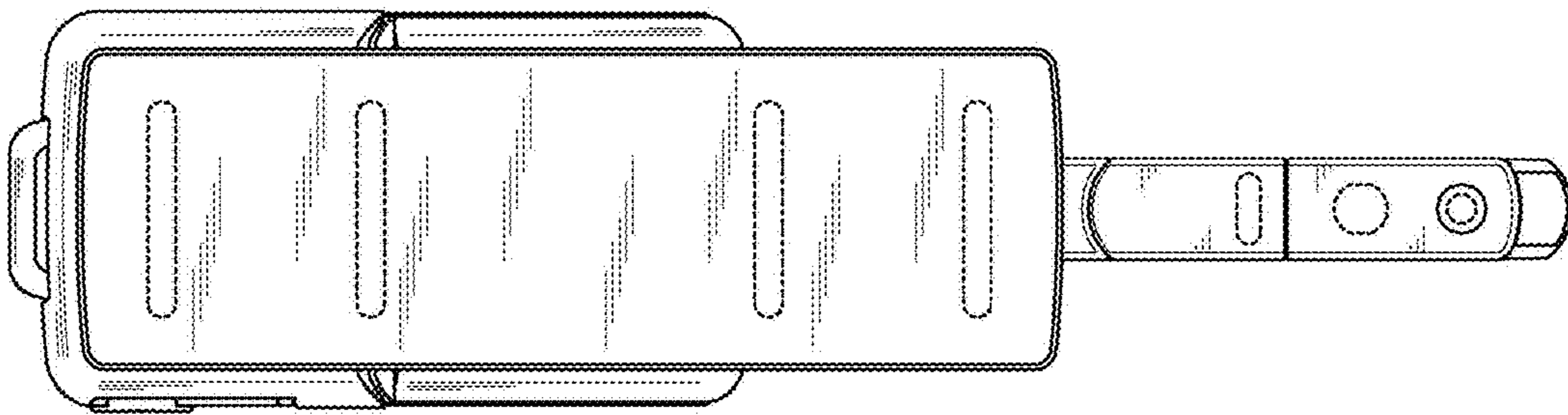


FIG. 8

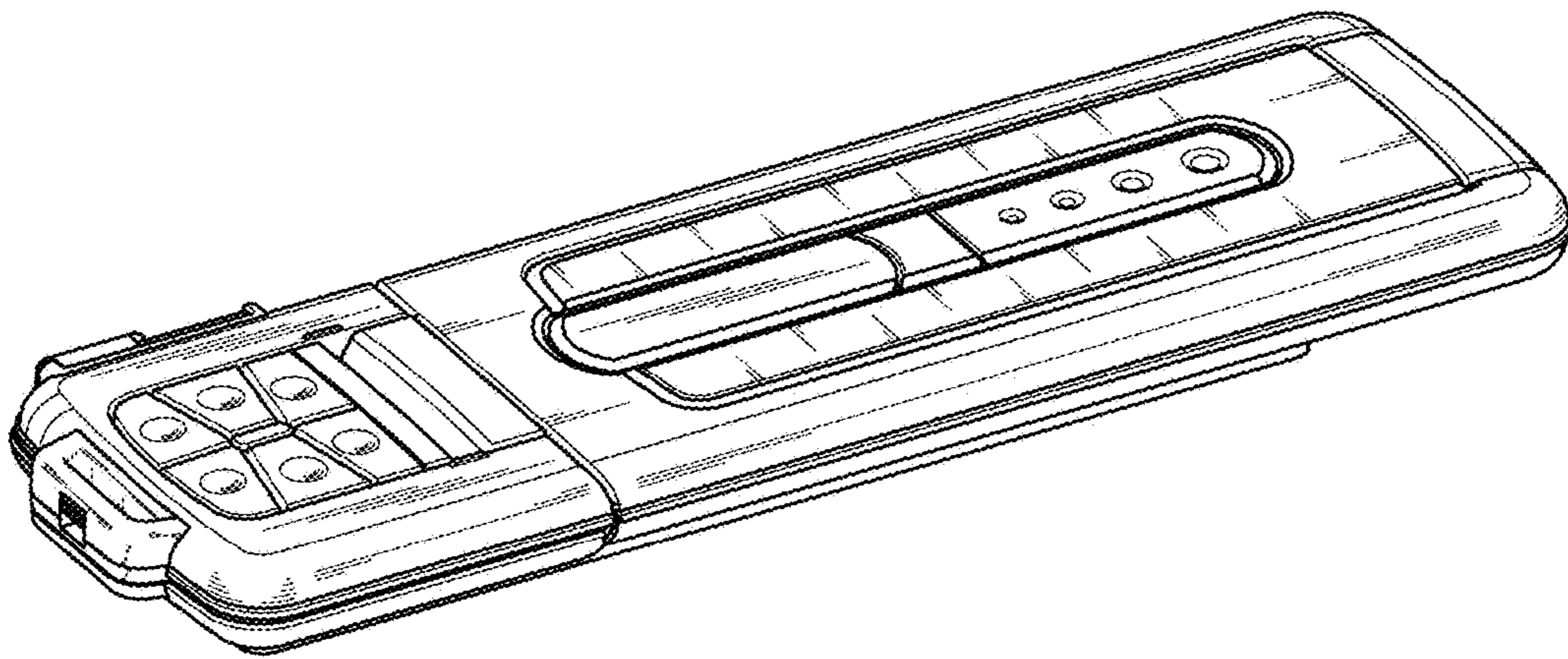


FIG. 9

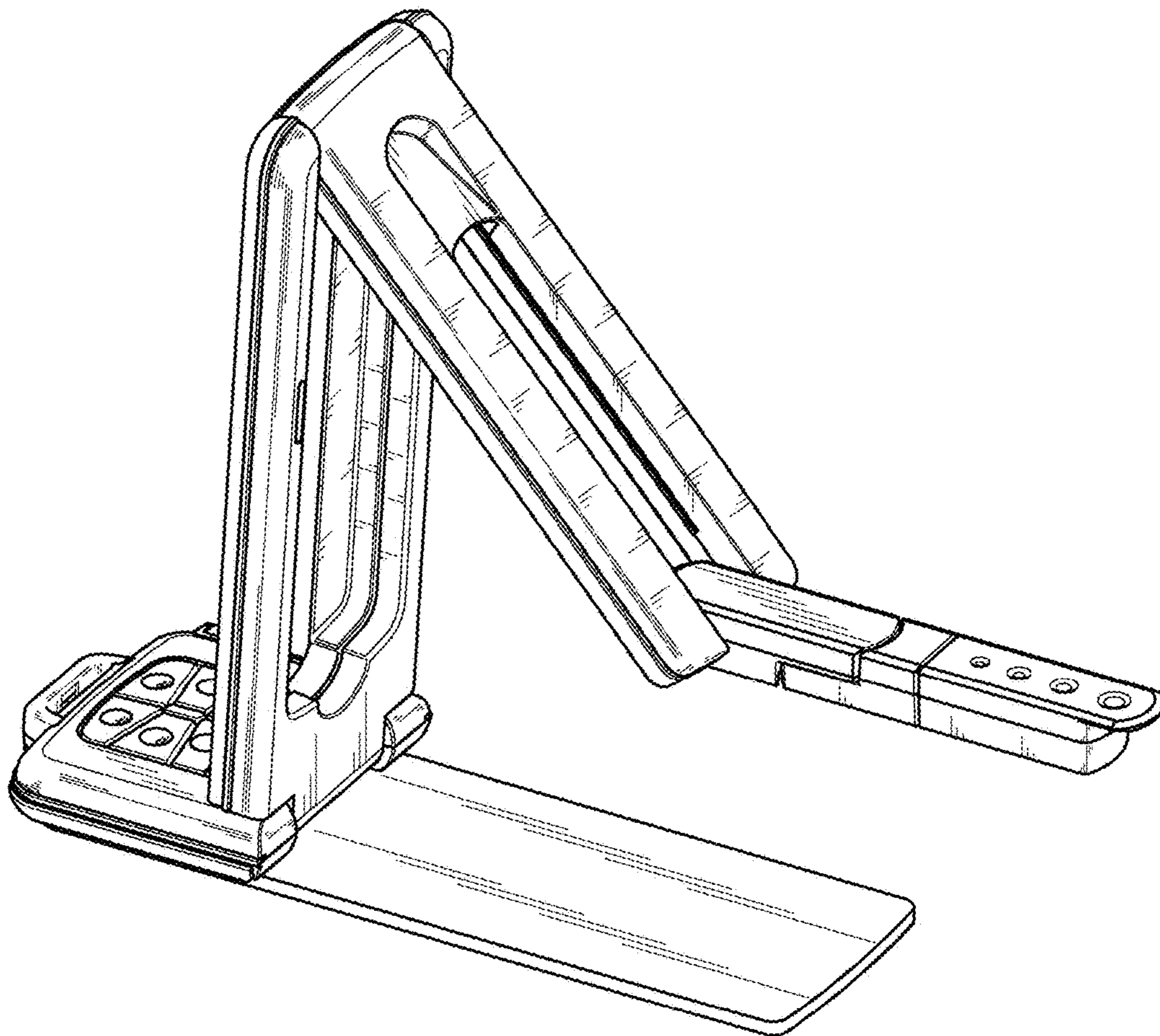


FIG. 10

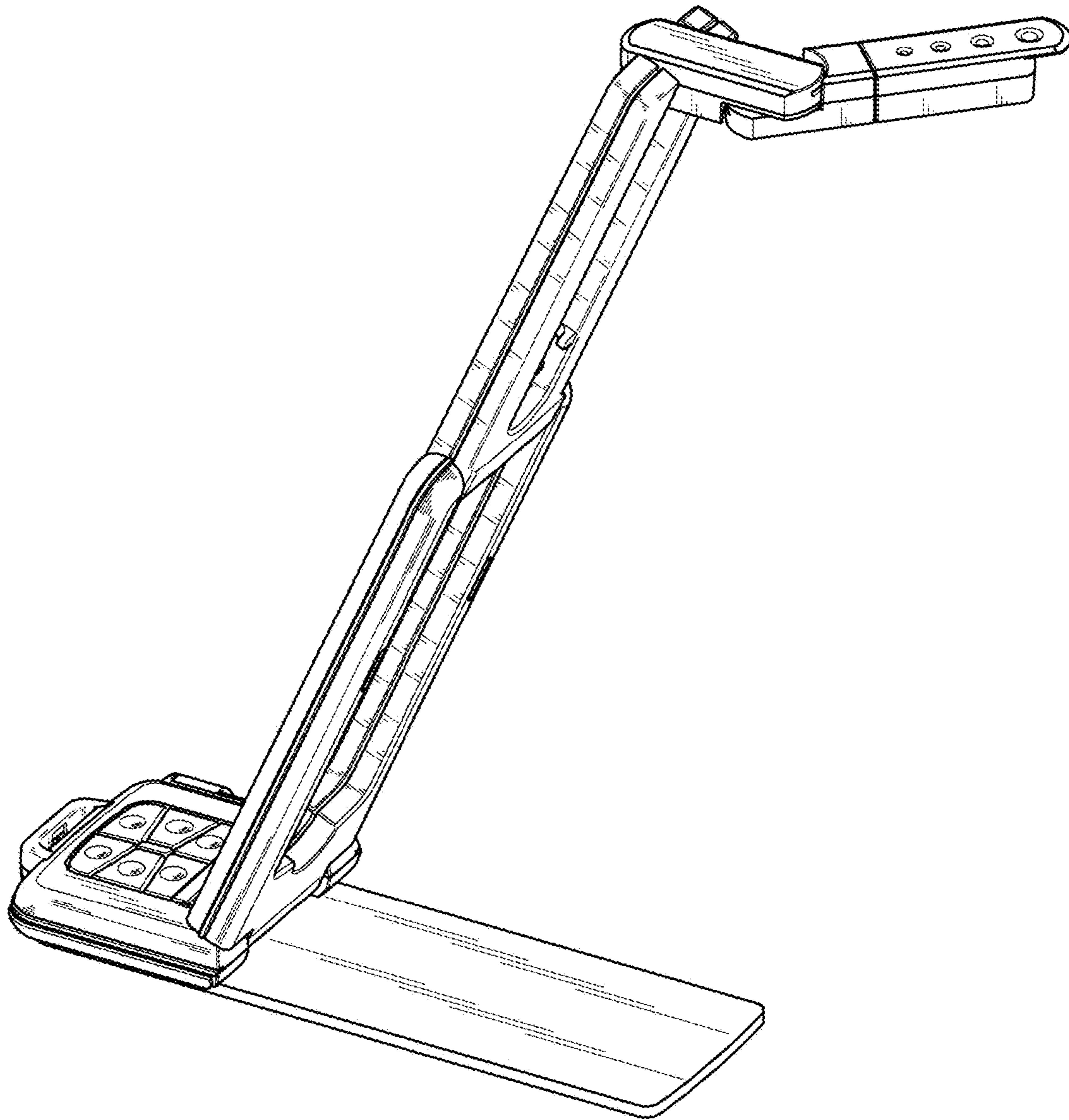


FIG. 11

