



US00D818515S

(12) **United States Design Patent**  
**Laurans et al.**

(10) **Patent No.:** **US D818,515 S**

(45) **Date of Patent:** **\*\* May 22, 2018**

(54) **CAMERA UNIT**

(71) Applicant: **SimpliSafe, Inc.**, Boston, MA (US)

(72) Inventors: **Chad Laurans**, Brookline, MA (US);  
**Melina Engel**, Belmont, MA (US);  
**Yong Zhao**, Medford, MA (US); **Jason Robinson**, Tewksbury, MA (US);  
**Gregory Wolos**, Cambridge, MA (US);  
**Dirk Ahlgrim**, Boston, MA (US);  
**Nelson Dominique Stephane Arthur Schöller**, Wissant (FR)

(73) Assignee: **SimpliSafe, Inc.**, Boston, MA (US)

(\*\*) Term: **15 Years**

(21) Appl. No.: **29/609,398**

(22) Filed: **Jun. 30, 2017**

(51) **LOC (11) Cl.** ..... **16-01**

(52) **U.S. Cl.**

USPC ..... **D16/203**

(58) **Field of Classification Search**

USPC ..... D16/200, 202–205, 208, 218, 219, 242;  
348/14.01–14.06, 143, 148, 373–376;  
396/419, 427, 535, 539–541

CPC ..... G03B 17/02; G03B 19/04; G03B 17/56;  
G03B 17/04; G03B 15/03; H04N 5/2251;  
H04N 5/2252; H04N 5/2253; H04N  
5/2254; H04N 2007/145; H04N 7/141;  
H04N 7/142; H04N 7/147; H04N 7/148;  
H04N 7/15; H04N 7/152

See application file for complete search history.

(56) **References Cited**

**U.S. PATENT DOCUMENTS**

D396,869 S \* 8/1998 Yamakawa ..... D16/202  
D410,480 S \* 6/1999 Takagi ..... D16/202

D517,584 S \* 3/2006 Chen ..... D16/200  
D518,080 S \* 3/2006 Uehara ..... D16/202  
D564,559 S \* 3/2008 Stephens ..... D16/208  
D618,265 S \* 6/2010 Wozniak ..... D16/202  
7,736,071 B2 \* 6/2010 Wahl ..... G03B 17/561  
348/373  
D649,573 S \* 11/2011 Al ..... D16/202  
D692,473 S \* 10/2013 Kawaguchi ..... D16/202  
D697,119 S \* 1/2014 Park ..... D16/202  
D747,383 S \* 1/2016 Li ..... D16/203  
D776,740 S \* 1/2017 Okawa ..... D16/203  
D795,938 S \* 8/2017 Ravat ..... D16/202

\* cited by examiner

*Primary Examiner* — Philip S Hyder

*Assistant Examiner* — Ramzi Almatrahi

(74) *Attorney, Agent, or Firm* — Wolf, Greenfield & Sacks, P.C.

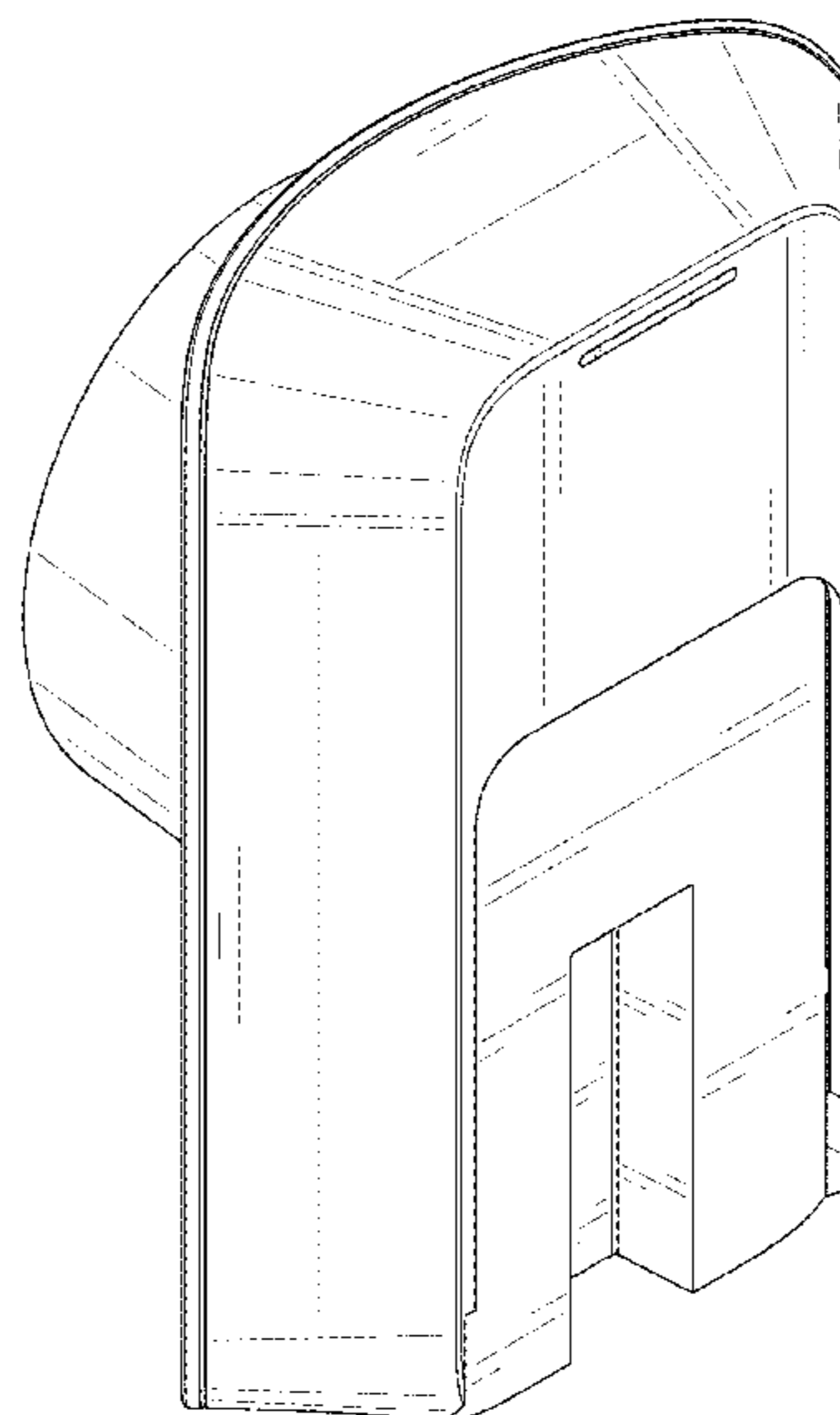
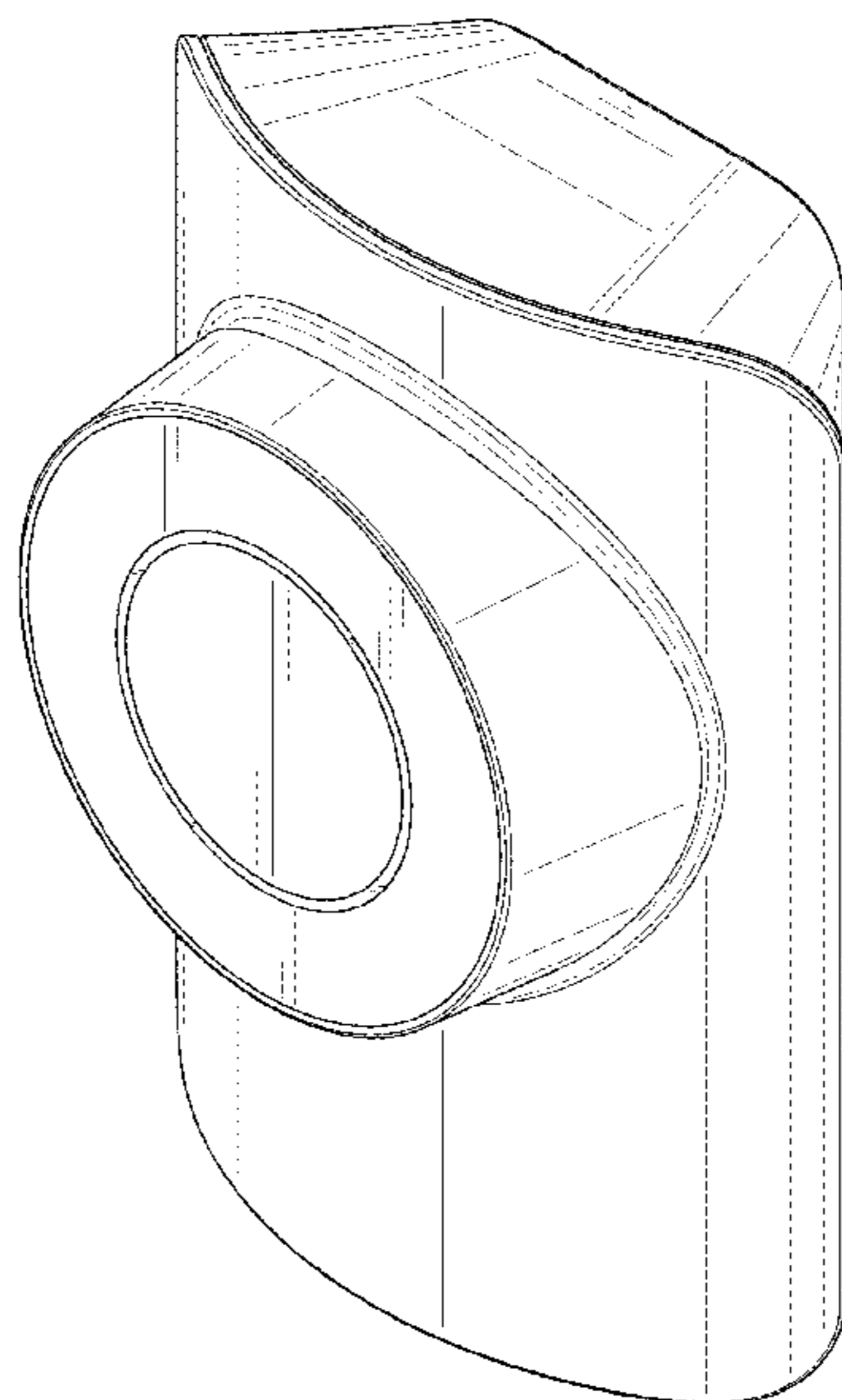
(57) **CLAIM**

The ornamental design for a camera unit, as shown and described.

**DESCRIPTION**

FIG. 1 is a front and right side perspective view of a camera unit;  
FIG. 2 is a rear and right side perspective view thereof;  
FIG. 3 is a front view thereof;  
FIG. 4 is a rear view thereof;  
FIG. 5 is a left side view thereof;  
FIG. 6 is a right side view thereof;  
FIG. 7 is a top view thereof; and,  
FIG. 8 is a bottom view thereof.

**1 Claim, 8 Drawing Sheets**



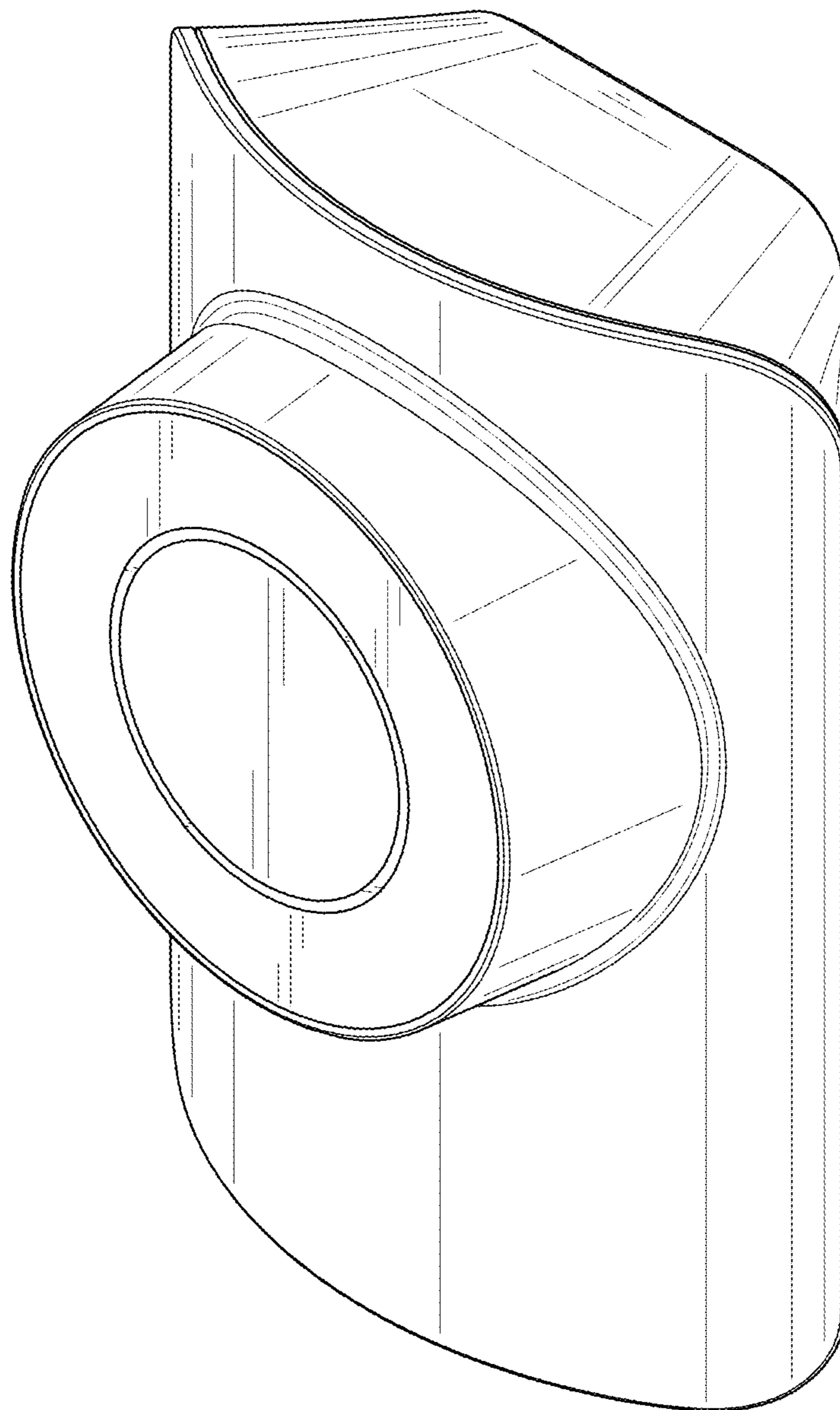


FIG. 1

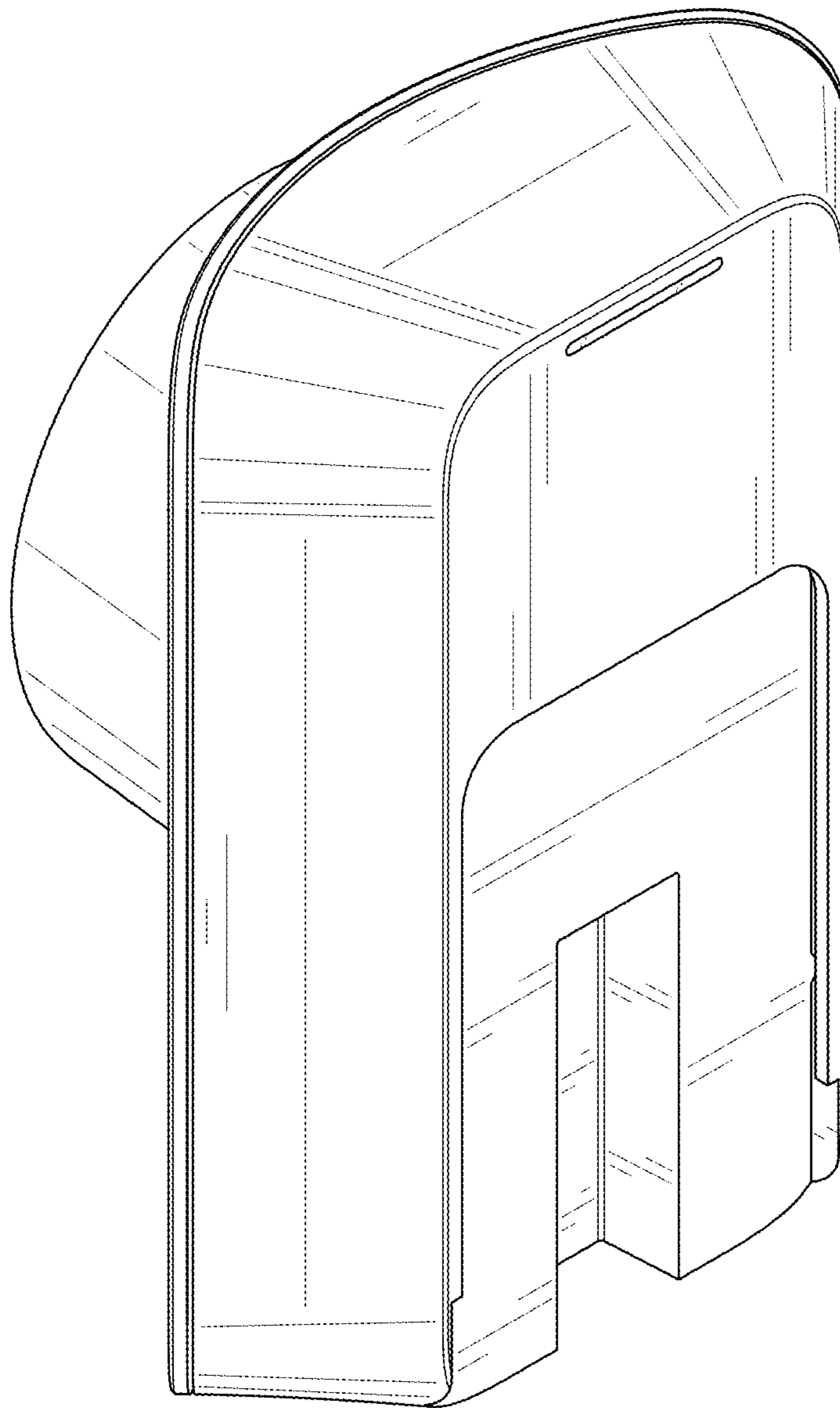


FIG. 2

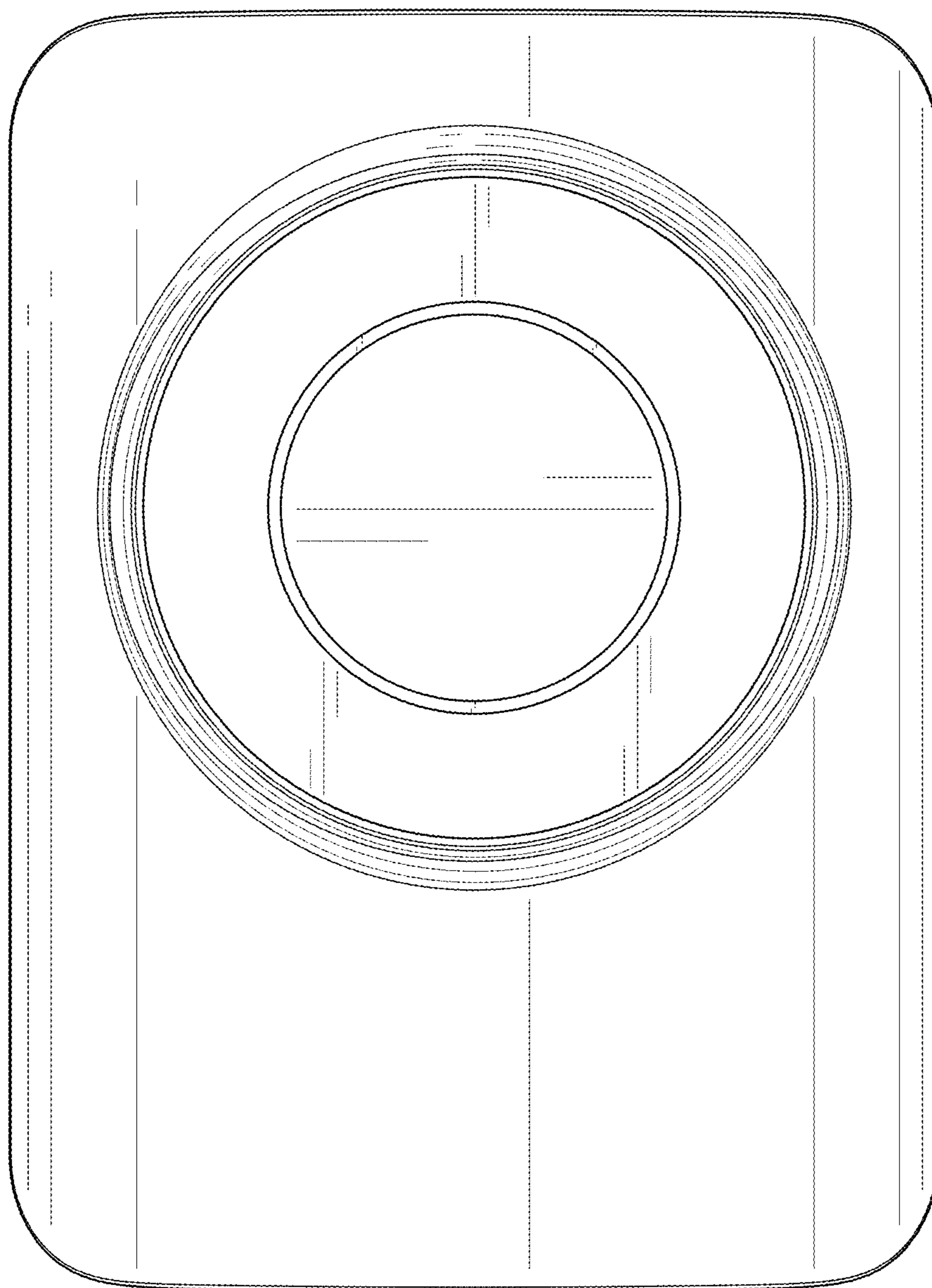


FIG. 3

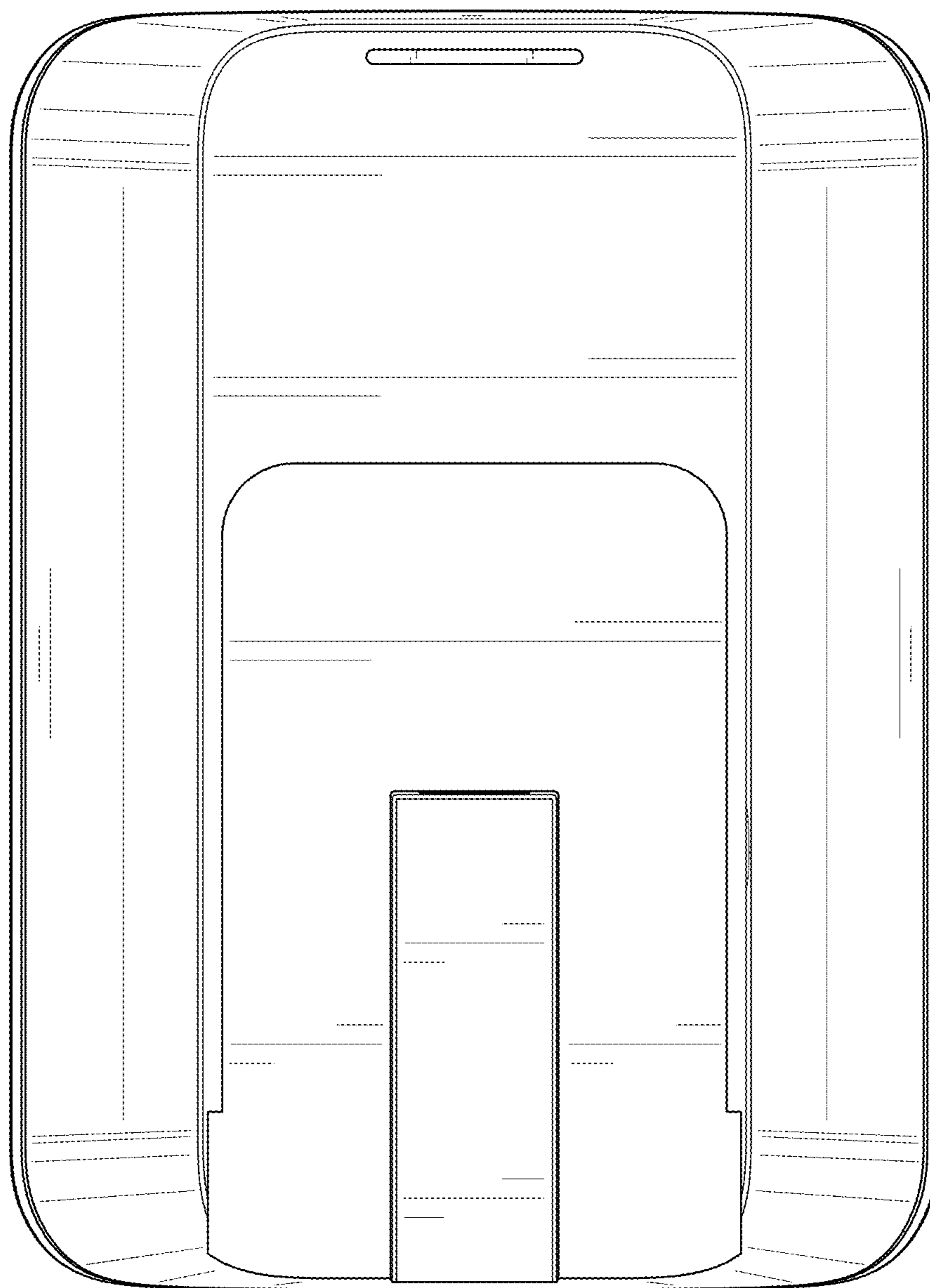


FIG. 4

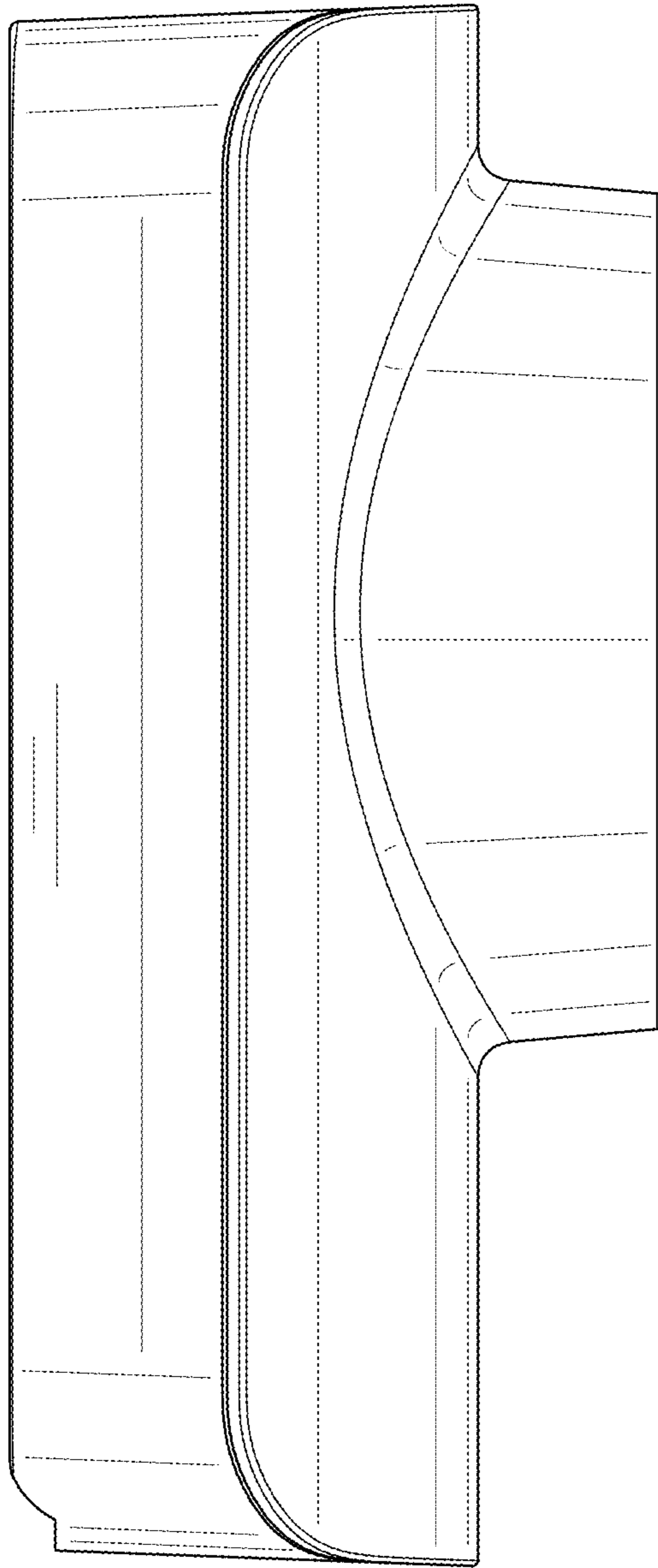


FIG. 5

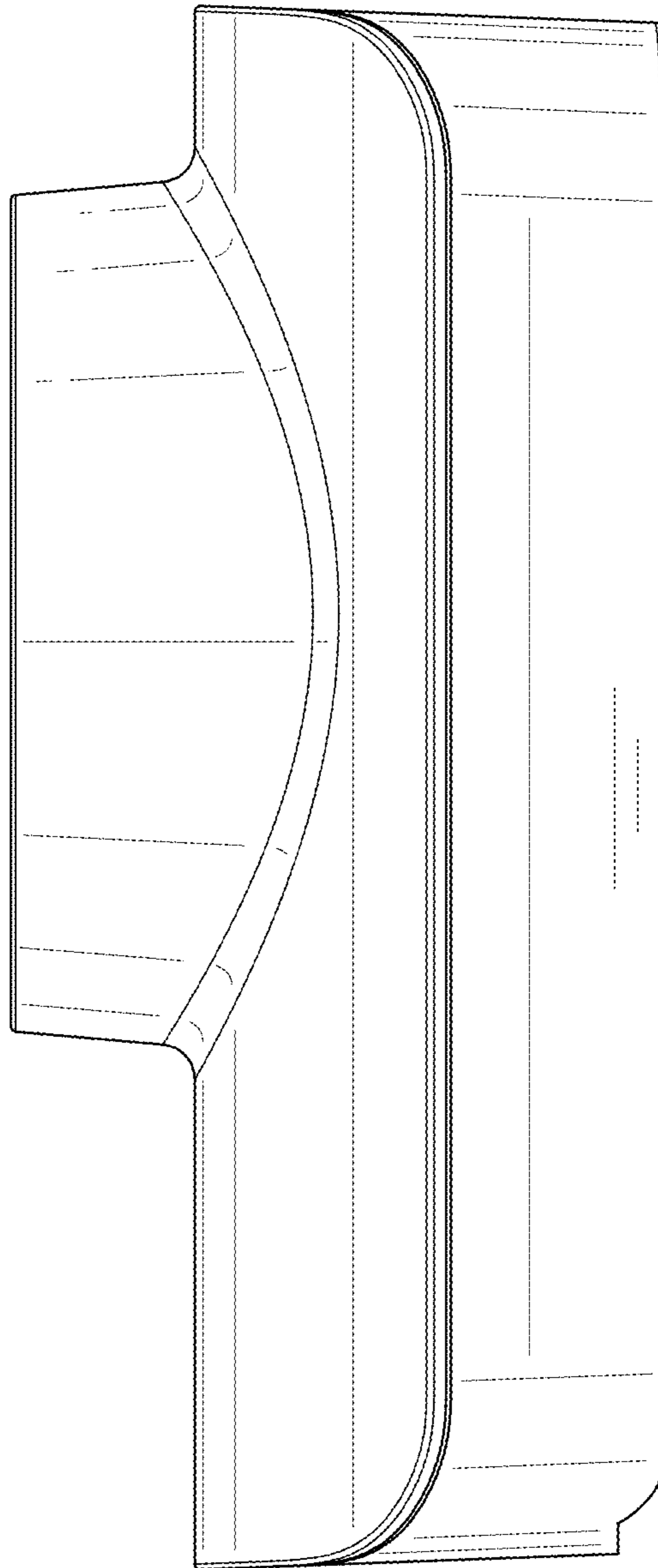


FIG. 6

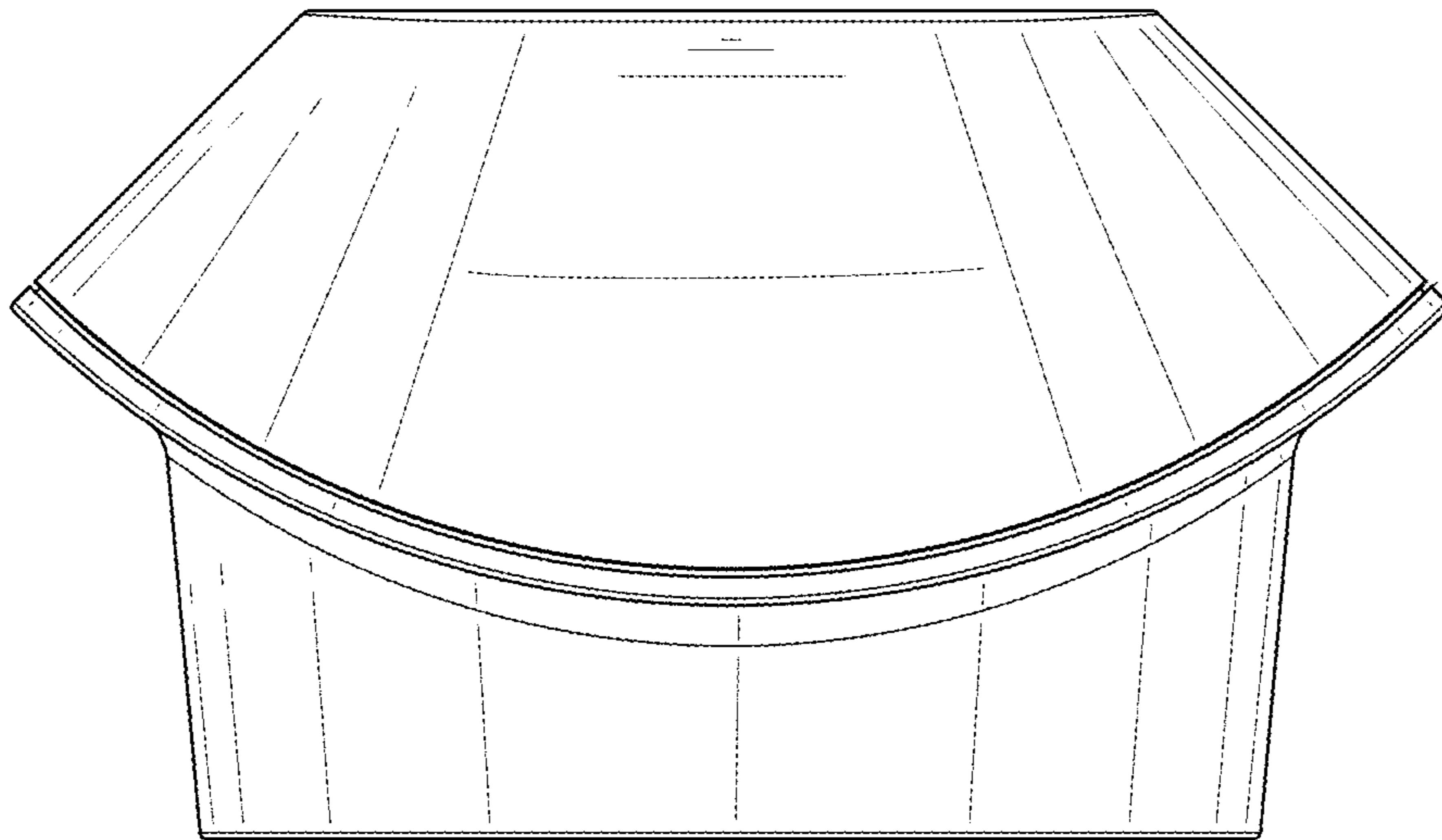


FIG. 7



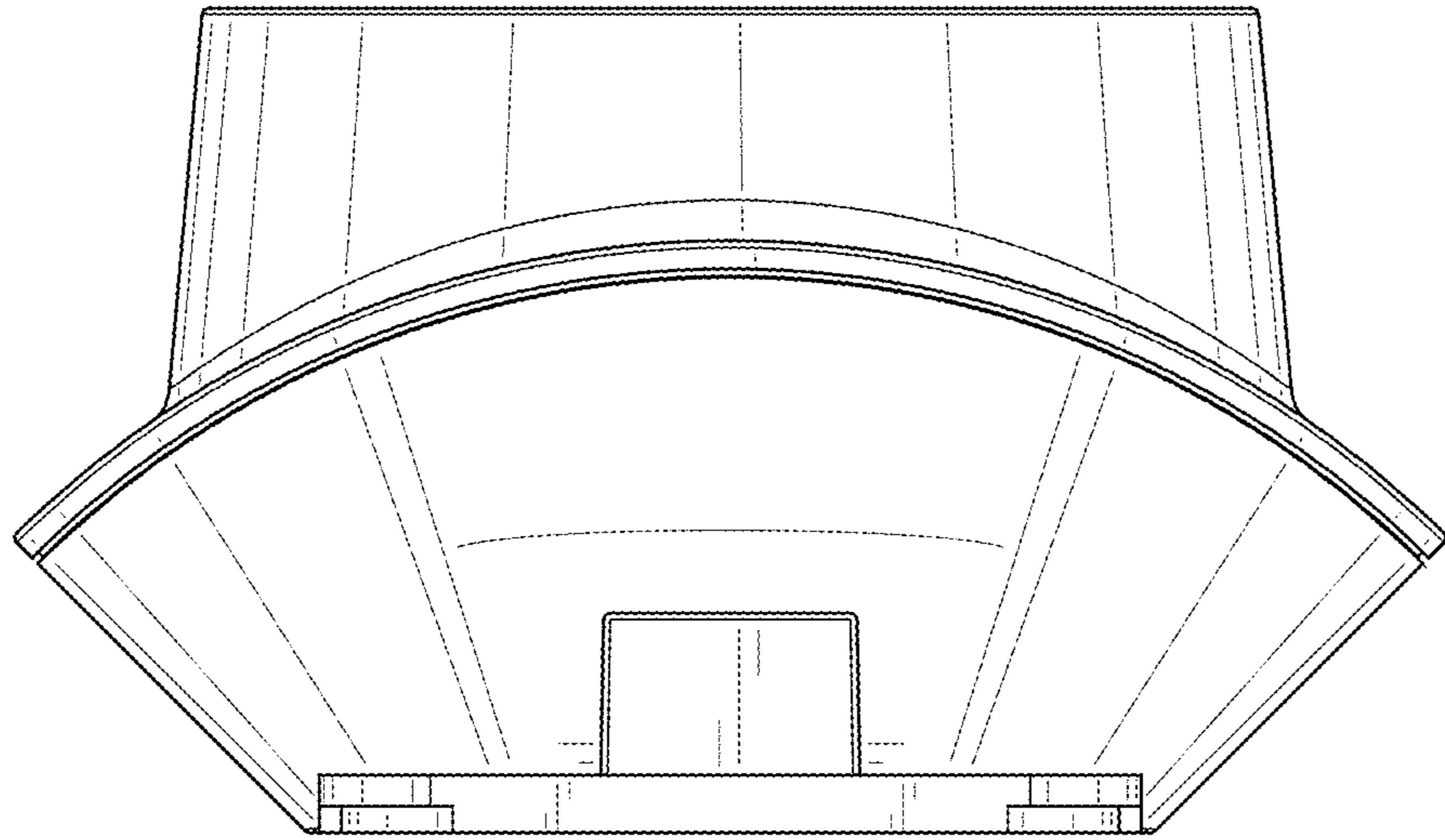


FIG. 8