



US00D818514S

(12) **United States Design Patent** (10) **Patent No.:** **US D818,514 S**
Ahman et al. (45) **Date of Patent:** **** May 22, 2018**

(54) **MONITORING CAMERA**

(71) Applicant: **Axis AB**, Lund OT (SE)

(72) Inventors: **Daniel Ahman**, Lomma (SE); **Agnes Rusz**, Malmö (SE); **Stefan Larsson**, Lund (SE); **Morten Bergstrom**, Lund (SE); **Mathias Walter**, Arlov (SE)

(73) Assignee: **AXIS AB**, Lund (SE)

(**) Term: **15 Years**

(21) Appl. No.: **29/588,134**

(22) Filed: **Dec. 19, 2016**

(30) **Foreign Application Priority Data**

Jun. 20, 2016 (EM) 003230259

(51) **LOC (11) Cl.** **16-01**

(52) **U.S. Cl.**
USPC **D16/203**

(58) **Field of Classification Search**
USPC D16/200, 202–206, 218, 219, 242;
D26/24, 28, 61, 63, 65, 74, 80, 89;
348/143, 148, 151, 373–376; 396/419,
396/427, 535, 539–541
CPC G03B 17/02; G03B 19/04; G03B 17/56;
G03B 17/04; G03B 15/03; H04N 5/2251;
H04N 5/2252; H04N 5/2253; H04N
5/2254; H04N 7/181; H04N 7/183; H04N
7/18; G08B 13/1963; G08B 13/19619;
G08B 13/19632; F16M 11/04; F16M
13/00

See application file for complete search history.

(56) **References Cited**

U.S. PATENT DOCUMENTS

D400,995 S * 11/1998 LaRosa D26/63
6,151,065 A * 11/2000 Steed B60Q 1/0023
348/148

D529,064 S * 9/2006 Badalian D16/203
D658,799 S * 5/2012 Levine D26/63
D660,491 S * 5/2012 Holscher D26/63
D698,841 S * 2/2014 Lee D16/202
D743,085 S * 11/2015 Stolte D26/76
D751,618 S * 3/2016 Hinkel D16/203
D763,341 S * 8/2016 Hinkel D16/203
D769,345 S * 10/2016 Hinkel D16/203
D788,834 S * 6/2017 Bhattacharya D16/203
D795,940 S * 8/2017 Huang D16/203
2013/0038728 A1 * 2/2013 Kim H04N 5/2252
348/143

FOREIGN PATENT DOCUMENTS

TW D174531 3/2016
WO DM091789 4/2016

* cited by examiner

Primary Examiner — Philip S Hyder

Assistant Examiner — Ramzi Almatrahi

(74) *Attorney, Agent, or Firm* — Volpe and Koenig, P.C.

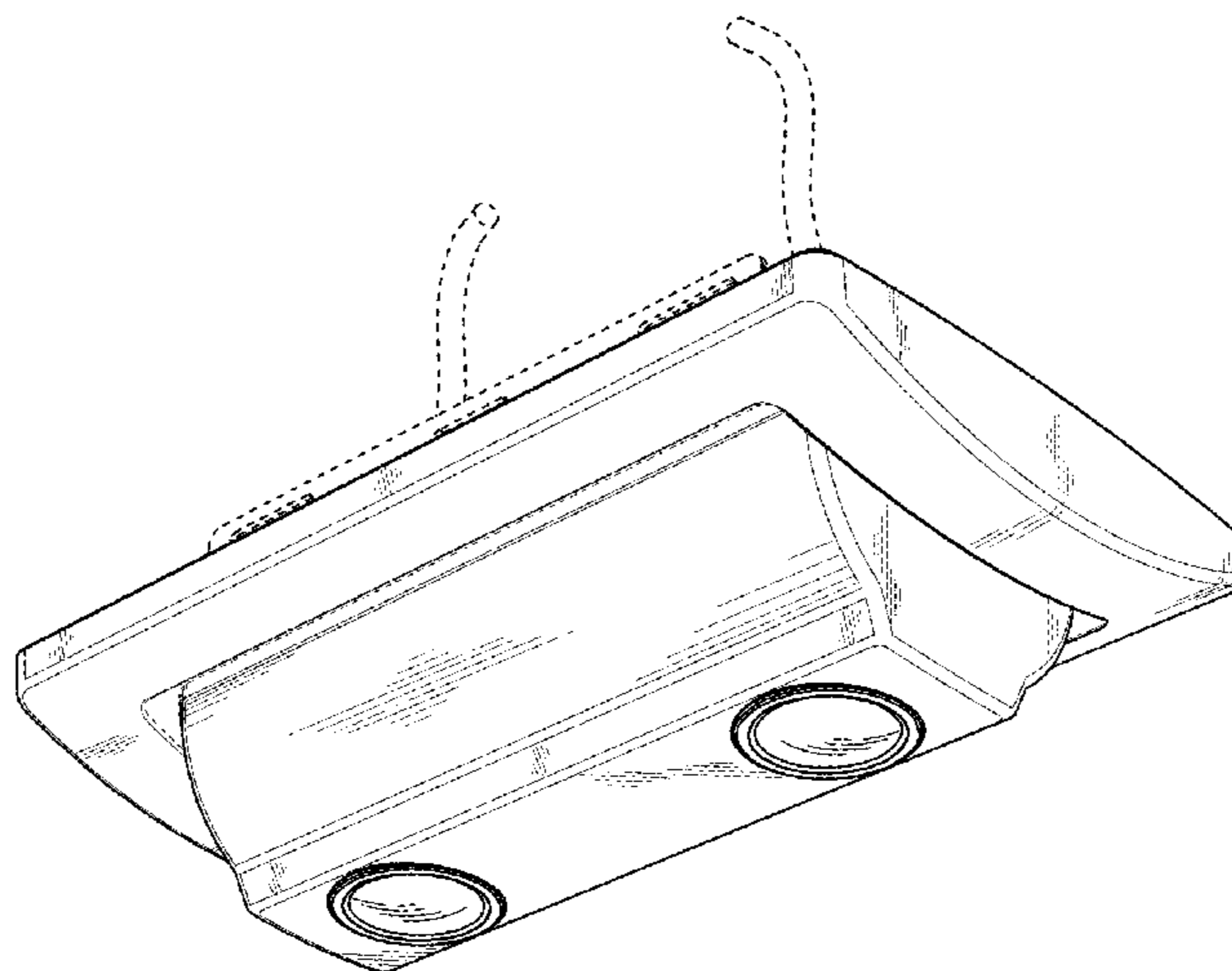
(57) **CLAIM**

The ornamental design for a monitoring camera, as shown and described.

DESCRIPTION

FIG. 1 is a perspective view of a monitoring camera in accordance with our new design;
FIG. 2 is a bottom plan view thereof;
FIG. 3 is a rear elevational view thereof;
FIG. 4 is a left side elevational view thereof;
FIG. 5 is a right side elevational view thereof;
FIG. 6 is a front elevational view thereof; and,
FIG. 7 is a top plan view thereof.
The broken lines depict portions of a monitoring camera in which the design is embodied that form no part of the claimed design.

1 Claim, 4 Drawing Sheets



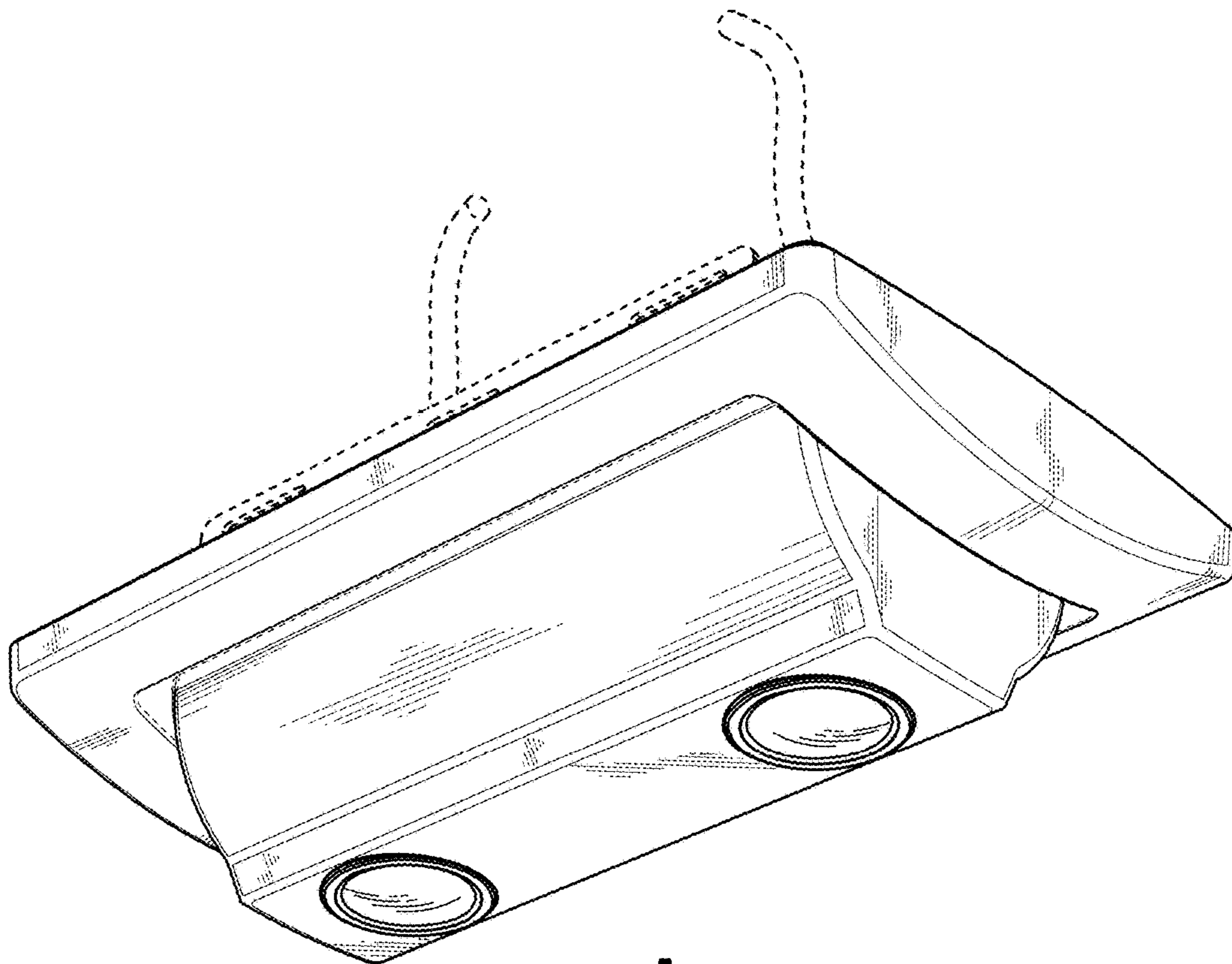


FIG. 1

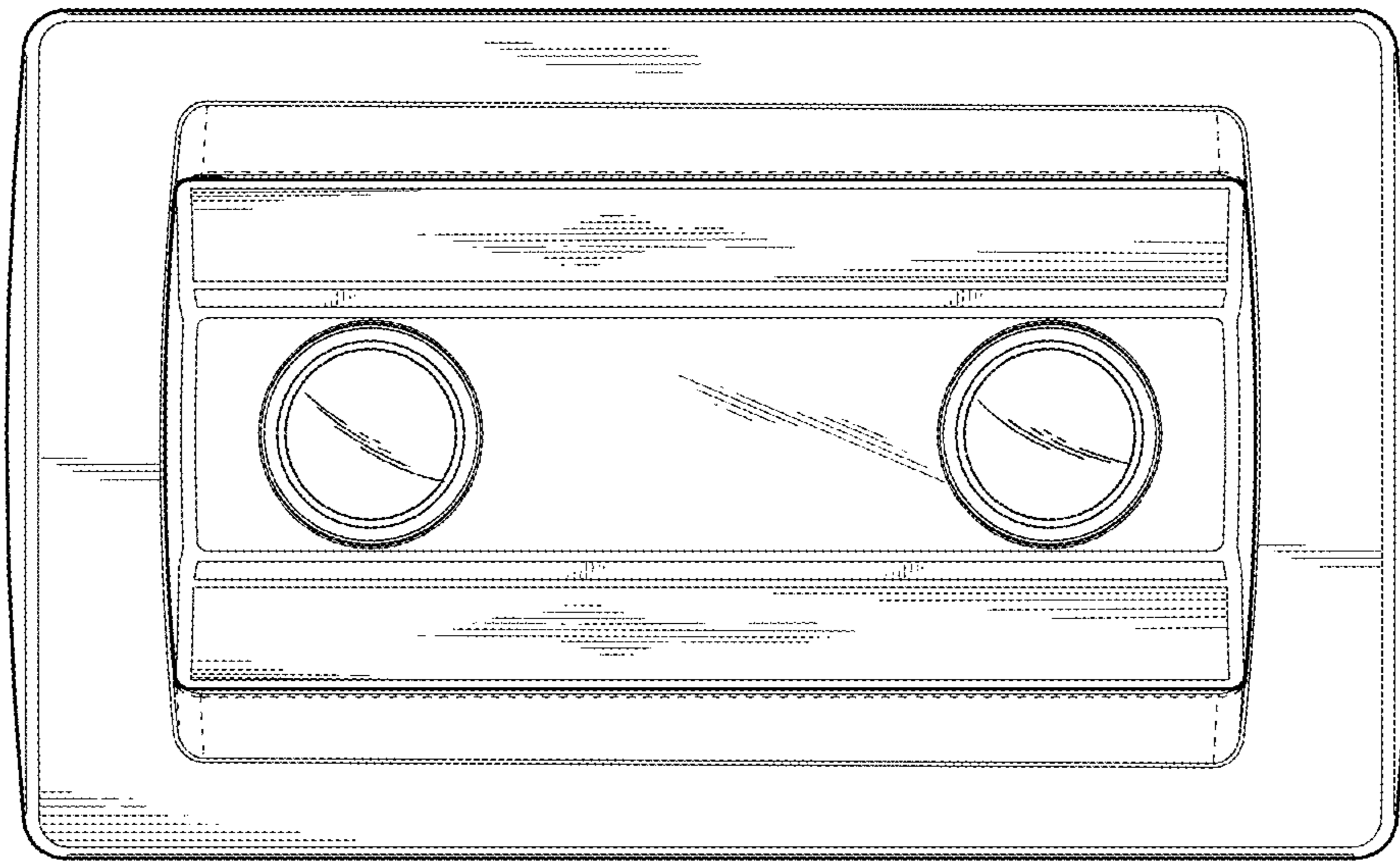


FIG. 2

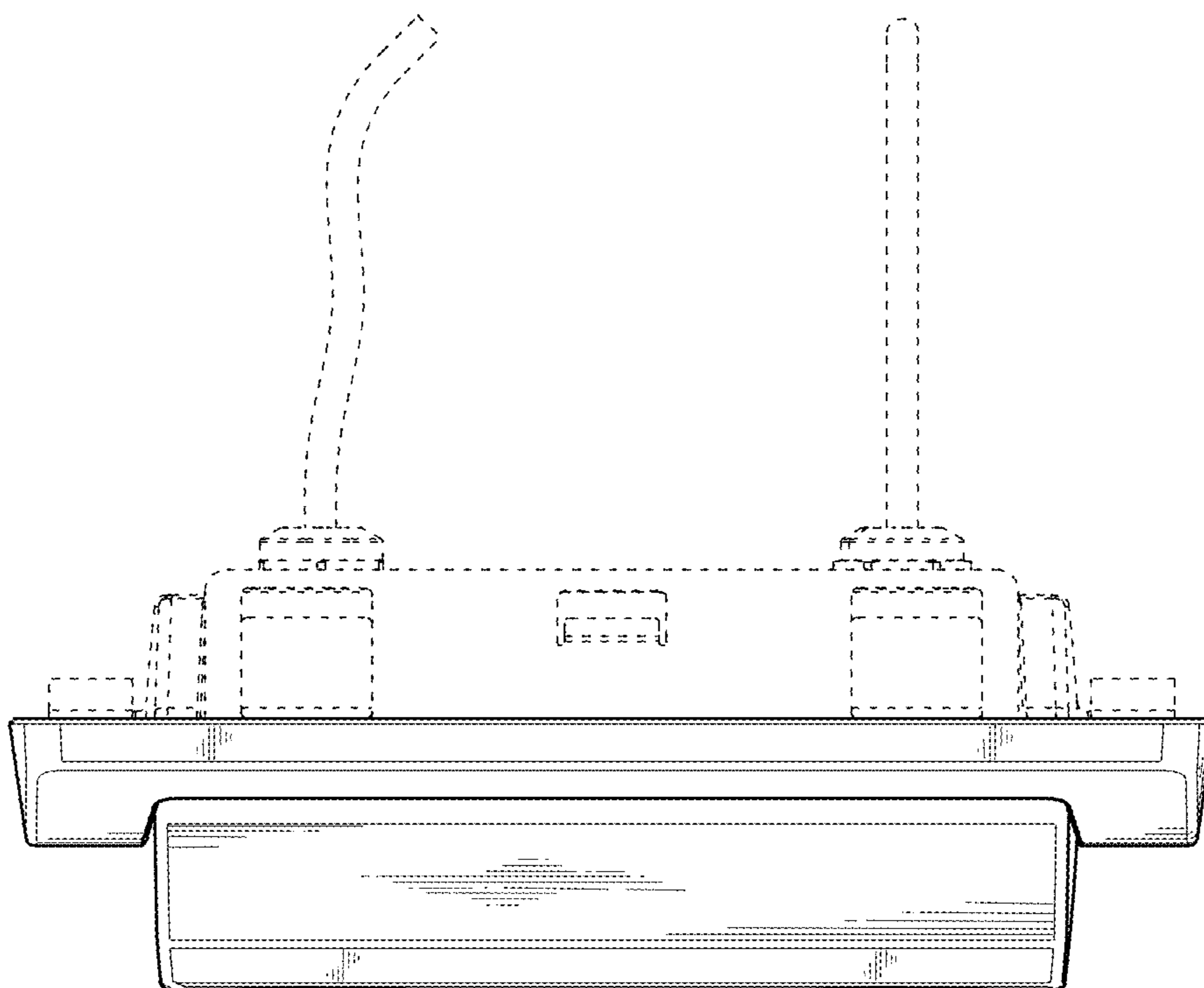


FIG. 3

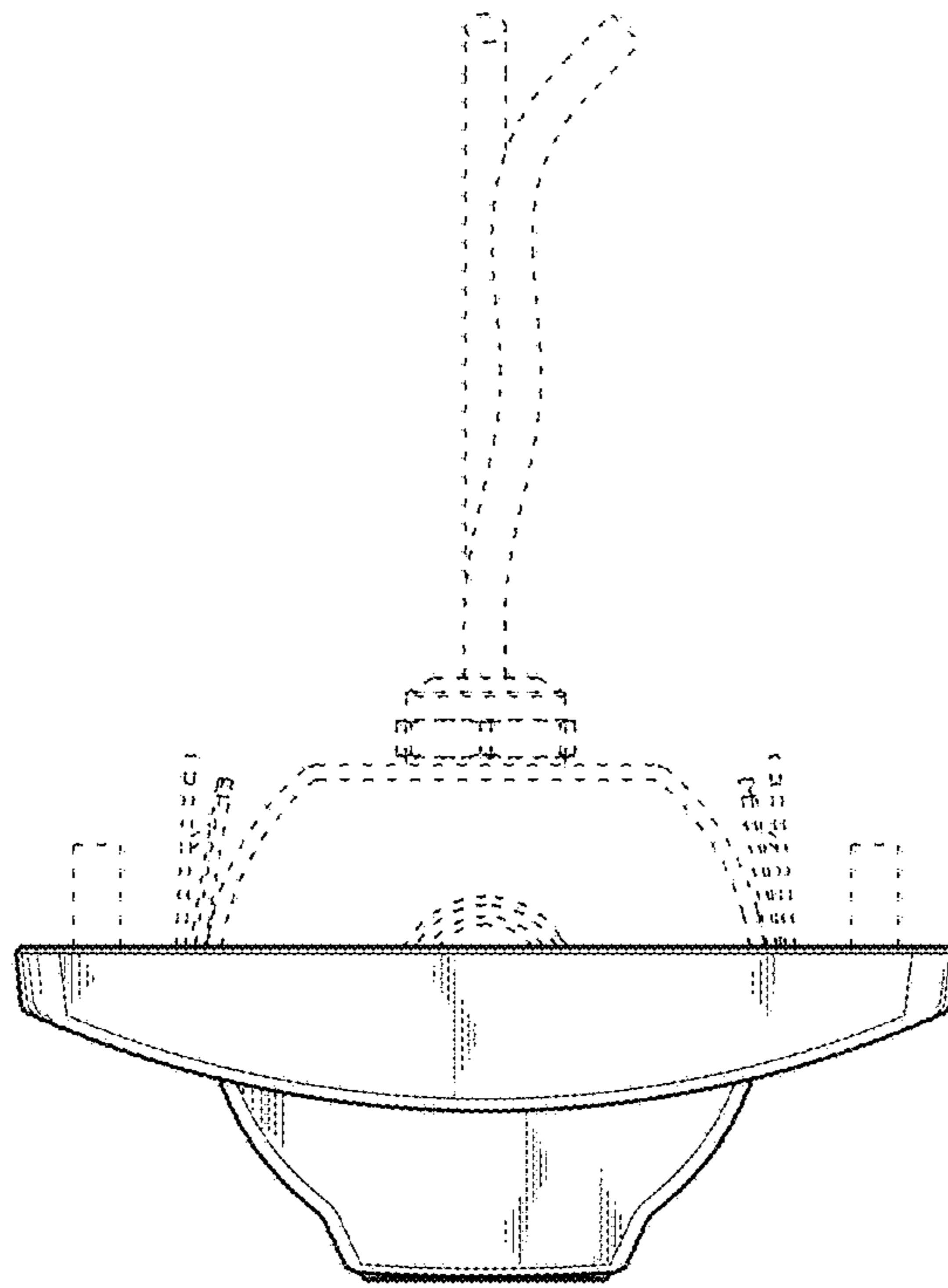


FIG. 4

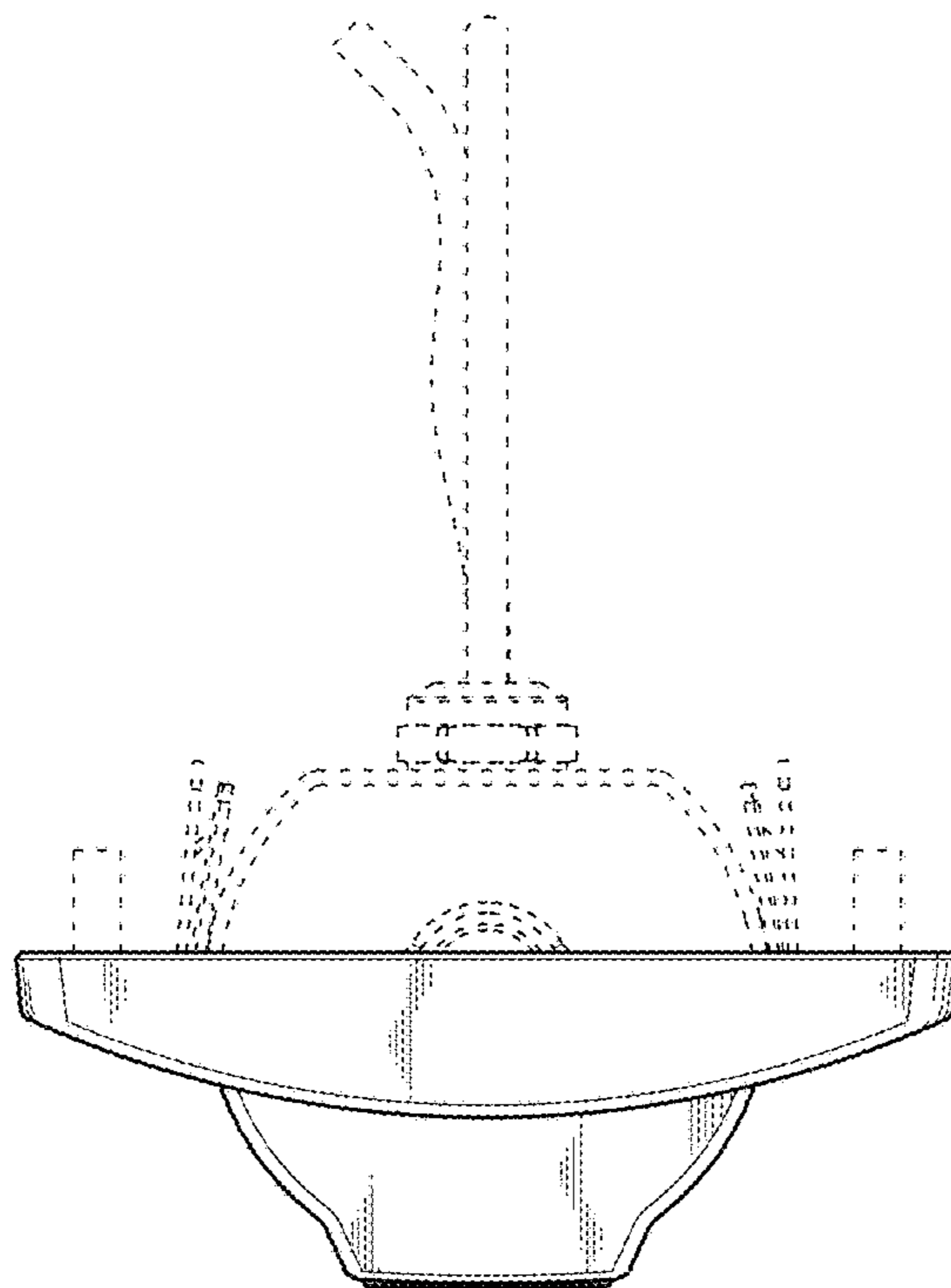


FIG. 5

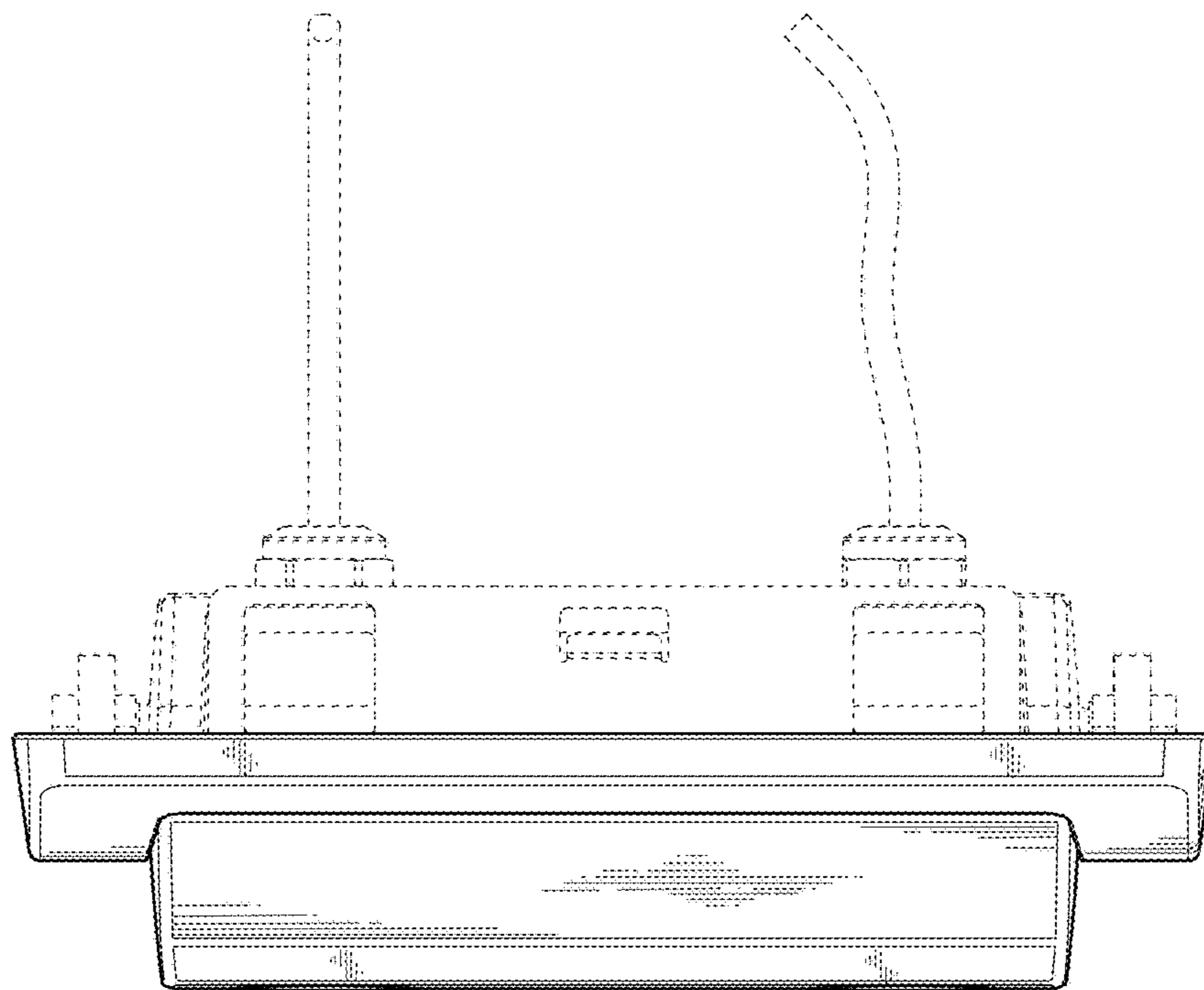


FIG. 6

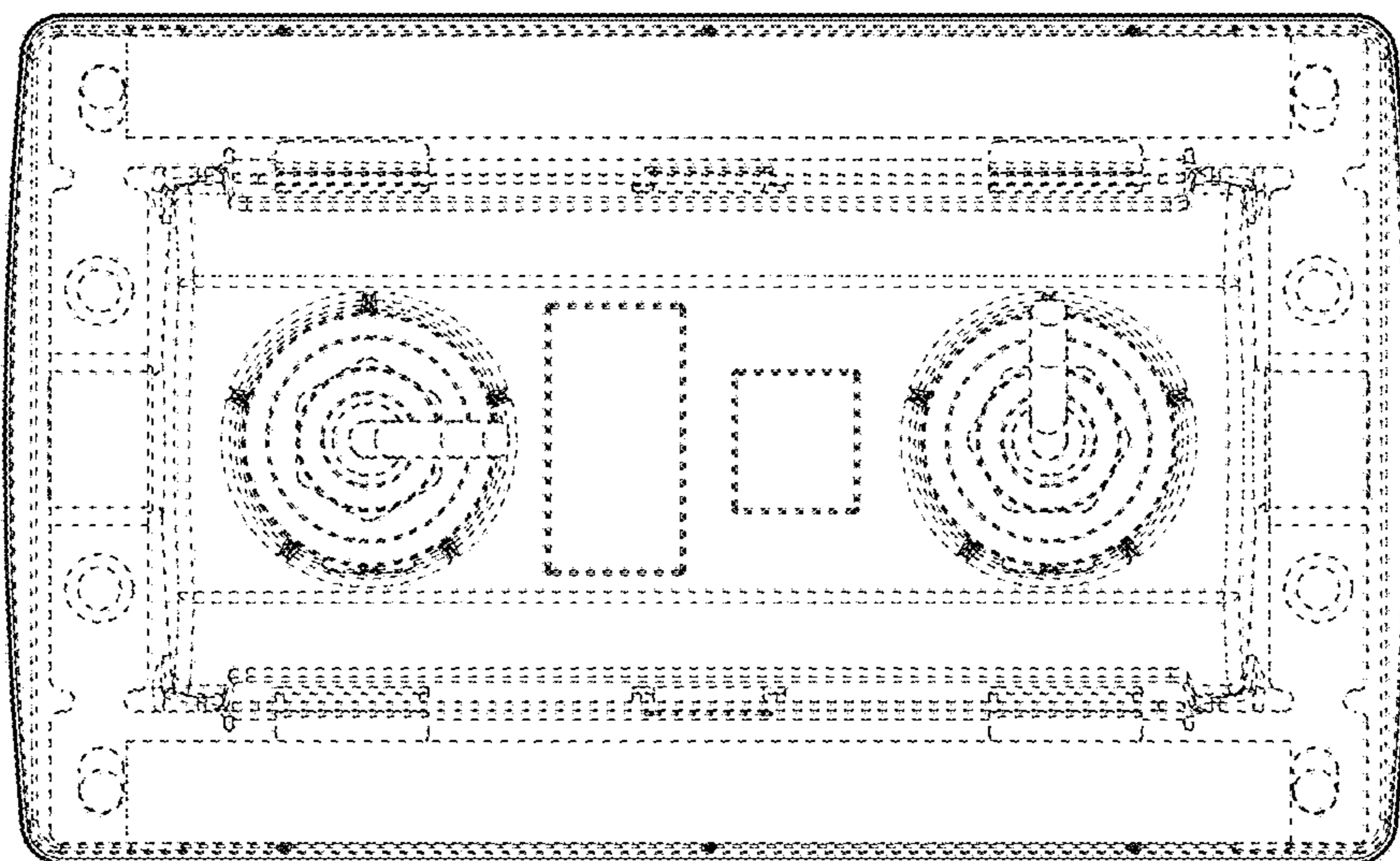


FIG. 7