



US00D818513S

(12) **United States Design Patent**
Girotti et al.

(10) **Patent No.:** **US D818,513 S**

(45) **Date of Patent:** **** May 22, 2018**

(54) **COMBINED REMOTE COMMUNICATION
AND AUDIO VIDEO RECORDING DEVICE**

(71) Applicant: **MOTOROLA SOLUTIONS, INC.**,
Schaumburg, IL (US)

(72) Inventors: **Nicola Girotti**, Copenhagen (DK);
Jorge L. Garcia, Plantation, FL (US);
Ryan M. Nilsen, Pompano Beach, FL
(US)

(73) Assignee: **MOTOROLA SOLUTIONS, INC.**,
Chicago, IL (US)

(**) Term: **15 Years**

(21) Appl. No.: **29/541,262**

(22) Filed: **Oct. 1, 2015**

(51) **LOC (11) Cl.** **16-01**

(52) **U.S. Cl.**
USPC **D16/202**

(58) **Field of Classification Search**
USPC D16/200, 202–206, 208, 218, 219;
348/373–376; 396/535, 539–541
CPC G03B 15/03; G03B 17/02; G03B 17/04;
G03B 17/56; G03B 19/04; H04N 5/2251;
H04N 5/2252; H04N 5/2253; H04N
5/2254; H04N 2101/00
See application file for complete search history.

(56) **References Cited**

U.S. PATENT DOCUMENTS

D537,094 S *	2/2007	Lee	D16/200
D616,901 S *	6/2010	Ward	D14/507
D617,821 S *	6/2010	Kaplan	D16/202
D630,236 S *	1/2011	Lian	D16/203
D633,930 S *	3/2011	Dinger	D16/202
D638,458 S *	5/2011	Miyamori	D16/202

D641,771 S *	7/2011	Sasaki	D16/202
D651,632 S *	1/2012	Kim	D16/202
D692,473 S *	10/2013	Kawaguchi	D16/202
D729,295 S *	5/2015	Onruang	D16/202
D755,271 S *	5/2016	Patulski	D16/202
2013/0038728 A1*	2/2013	Kim	H04N 5/2256 348/143
2014/0160349 A1*	6/2014	Huang	H04N 5/2252 348/375

* cited by examiner

Primary Examiner — Philip S Hyder

Assistant Examiner — Ramzi Almatrahi

(74) *Attorney, Agent, or Firm* — Raguraman Kumaresan

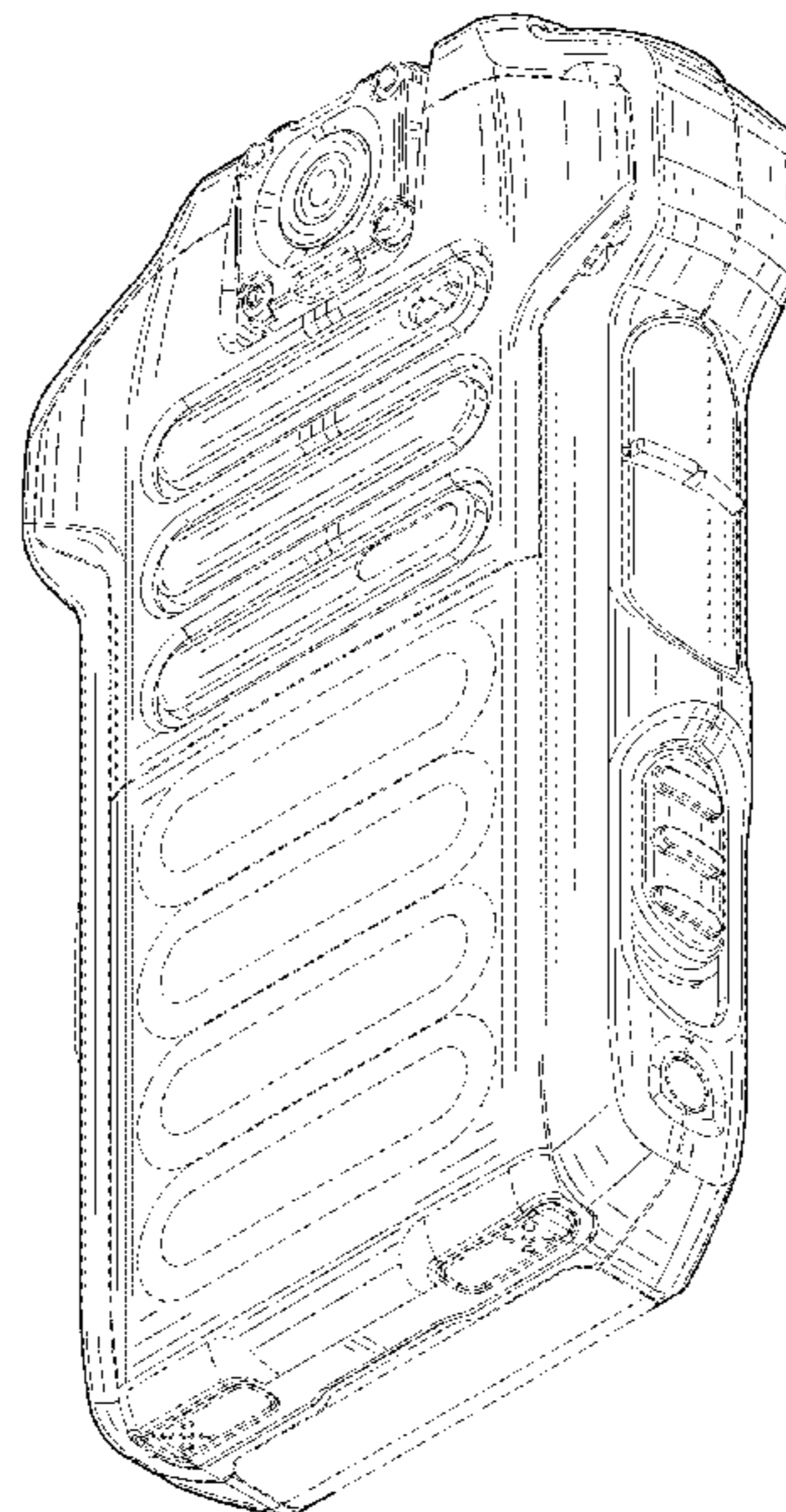
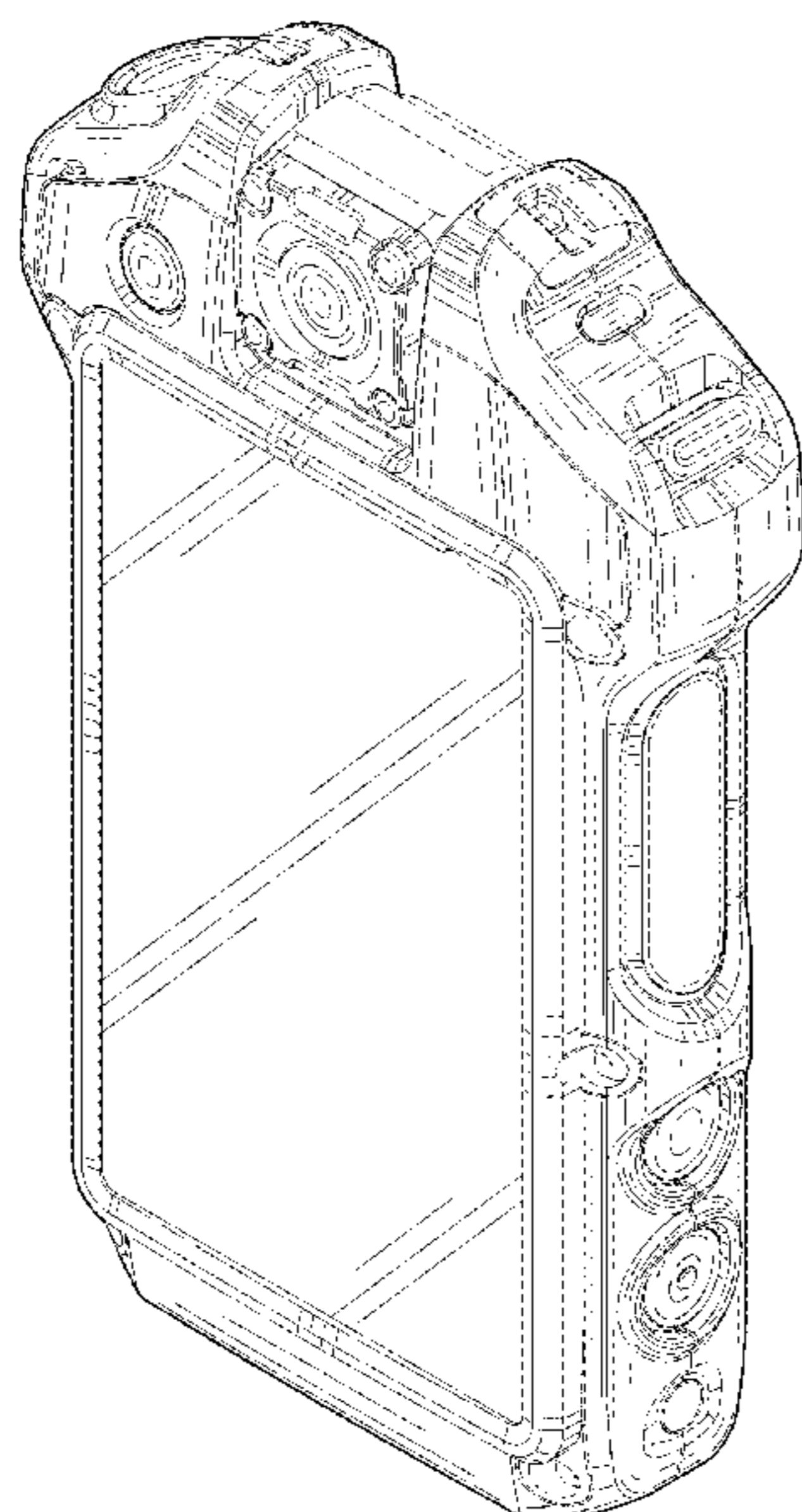
(57) **CLAIM**

The ornamental design for a combined remote communica-
tion and audio video recording device, as shown and
described.

DESCRIPTION

FIG. 1 is a front perspective view of an ornamental design
for a communication device;
FIG. 2 is a rear perspective view thereof, with the lens
rotated towards the rear surface;
FIG. 3 is a front view of FIG. 1;
FIG. 4 is a rear view thereof;
FIG. 5 is a first side view thereof;
FIG. 6 is a second side view thereof;
FIG. 7 is a top view thereof; and,
FIG. 8 is a bottom view thereof.
The broken lines shown in FIGS. 1-8, that are immediately
adjacent to the shaded areas, and define unshaded regions,
represent the bounds of the claimed design, while all other
broken lines depict portions of the combined remote com-
munication and audio video recording device in which the
design is embodied that form no part of the claimed design.

1 Claim, 6 Drawing Sheets



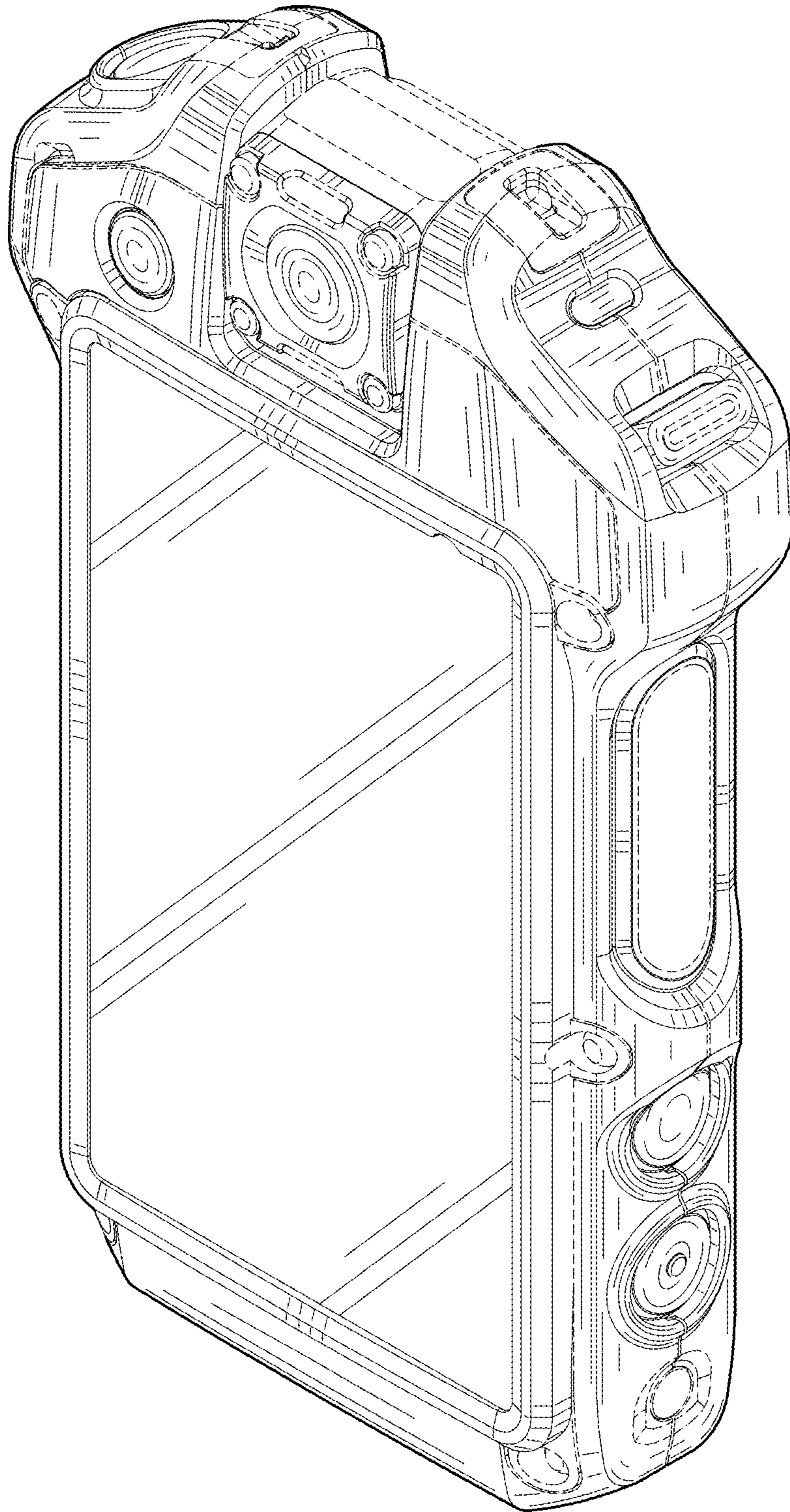


FIG. 1

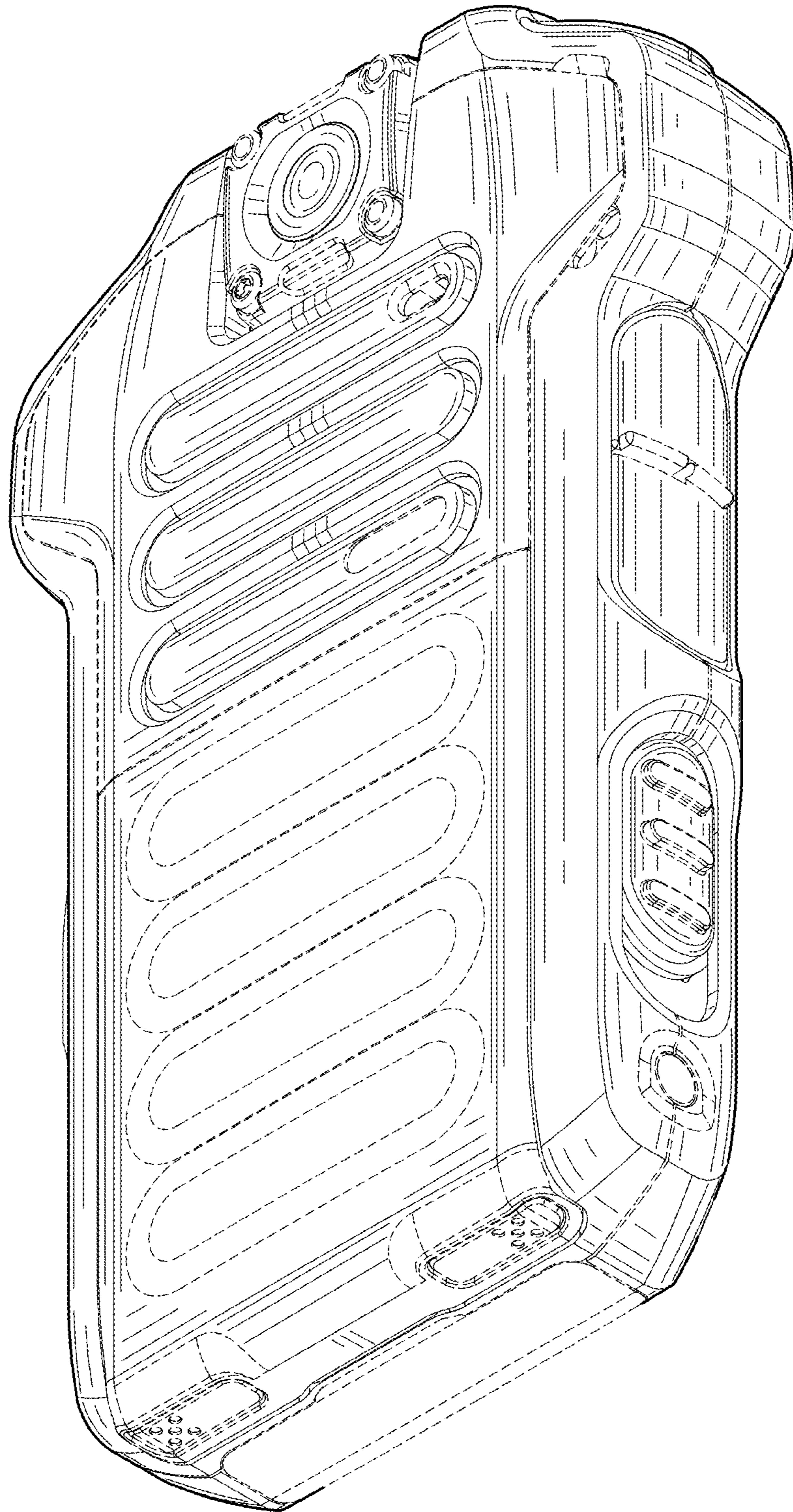


FIG. 2

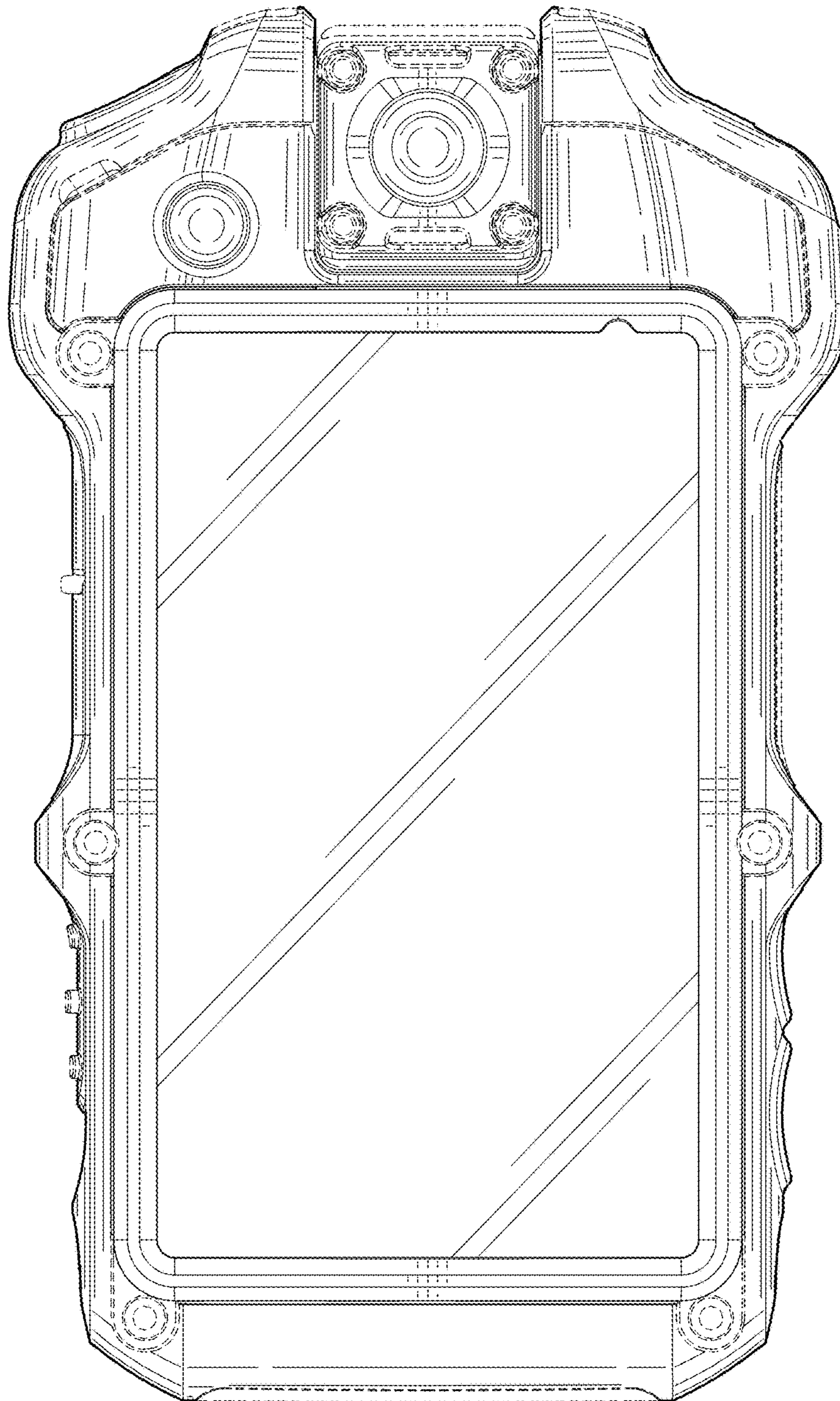


FIG. 3

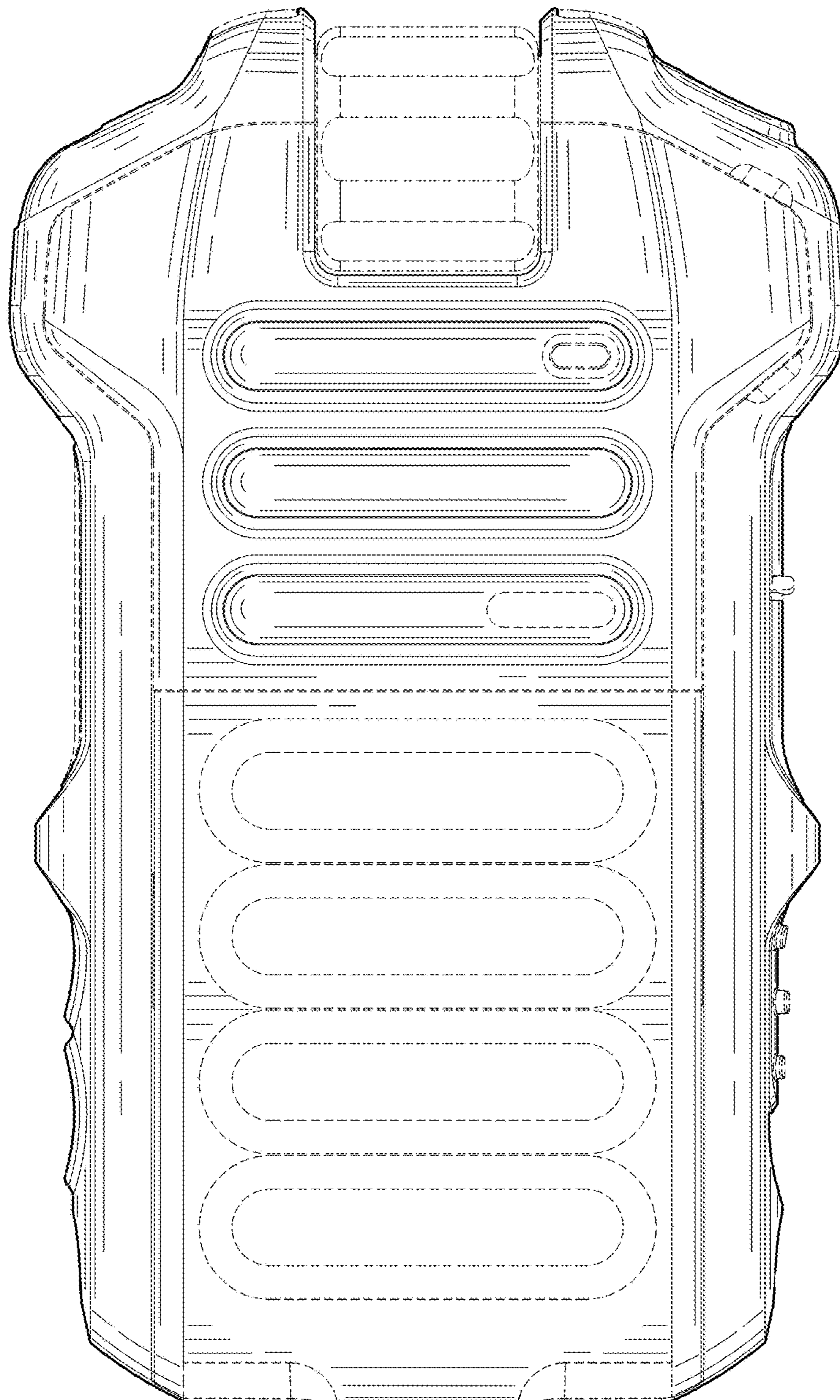


FIG. 4

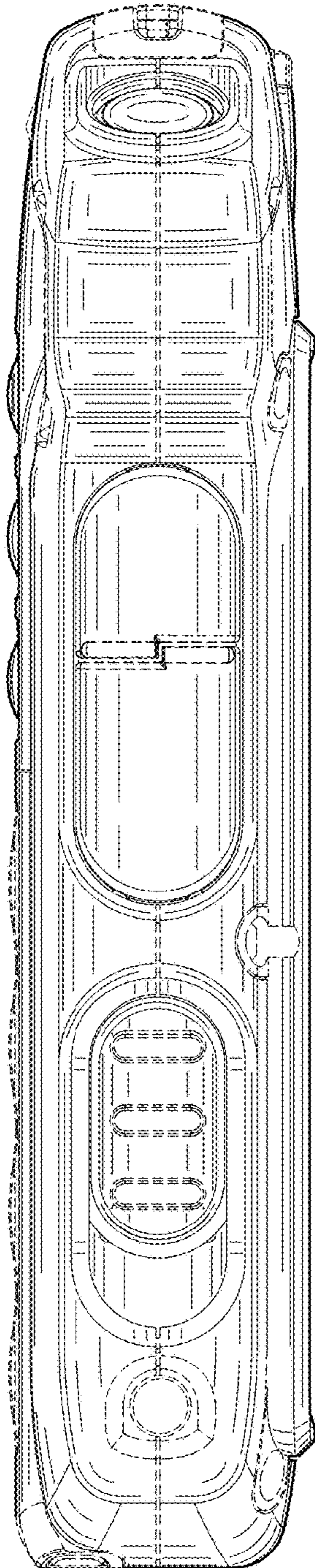


FIG. 5

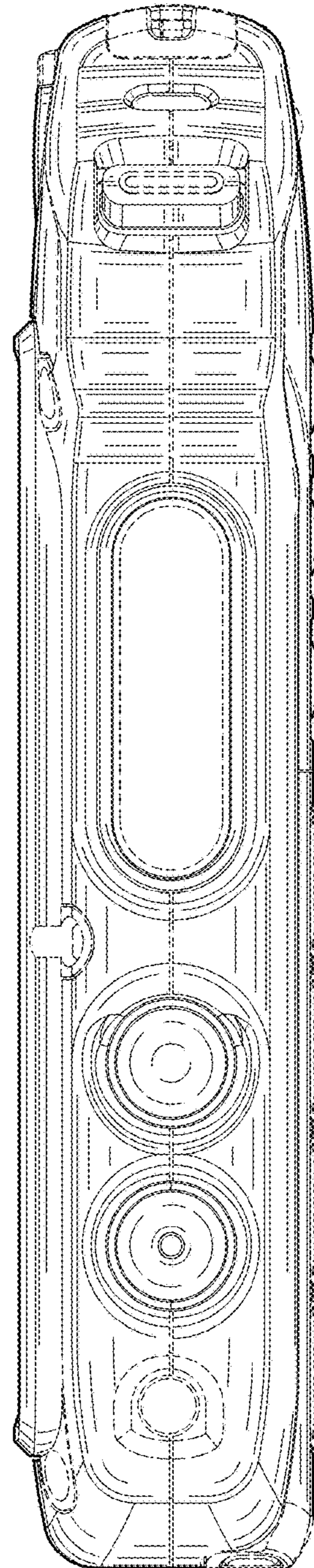


FIG. 6

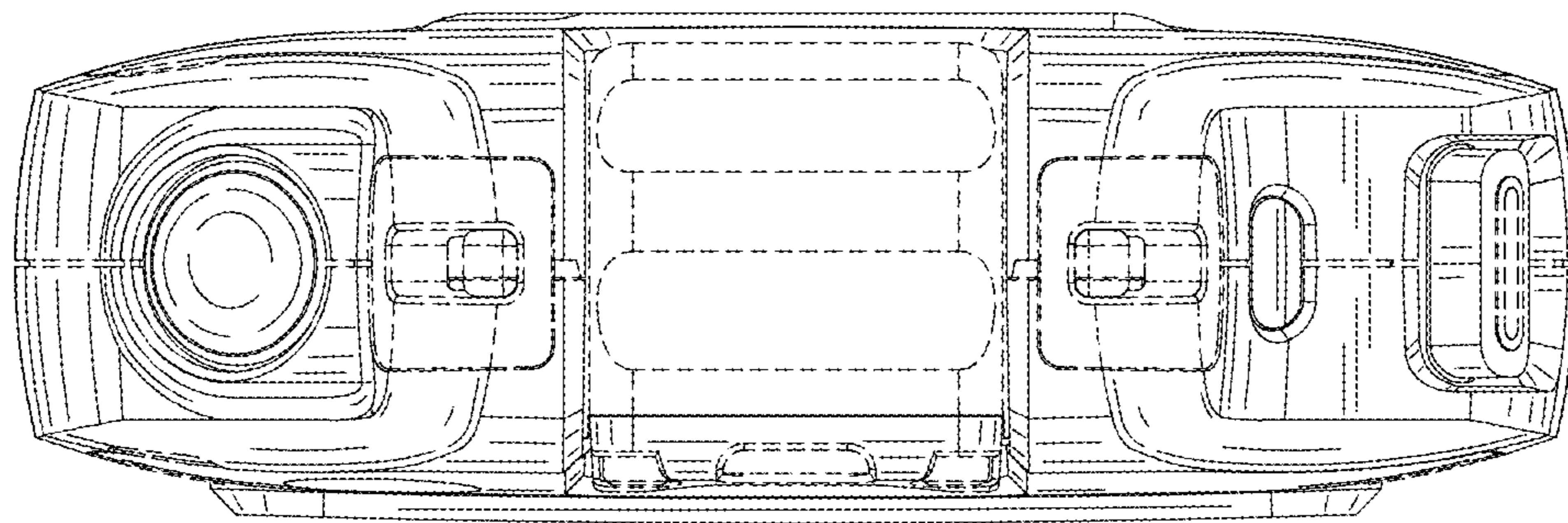


FIG. 7

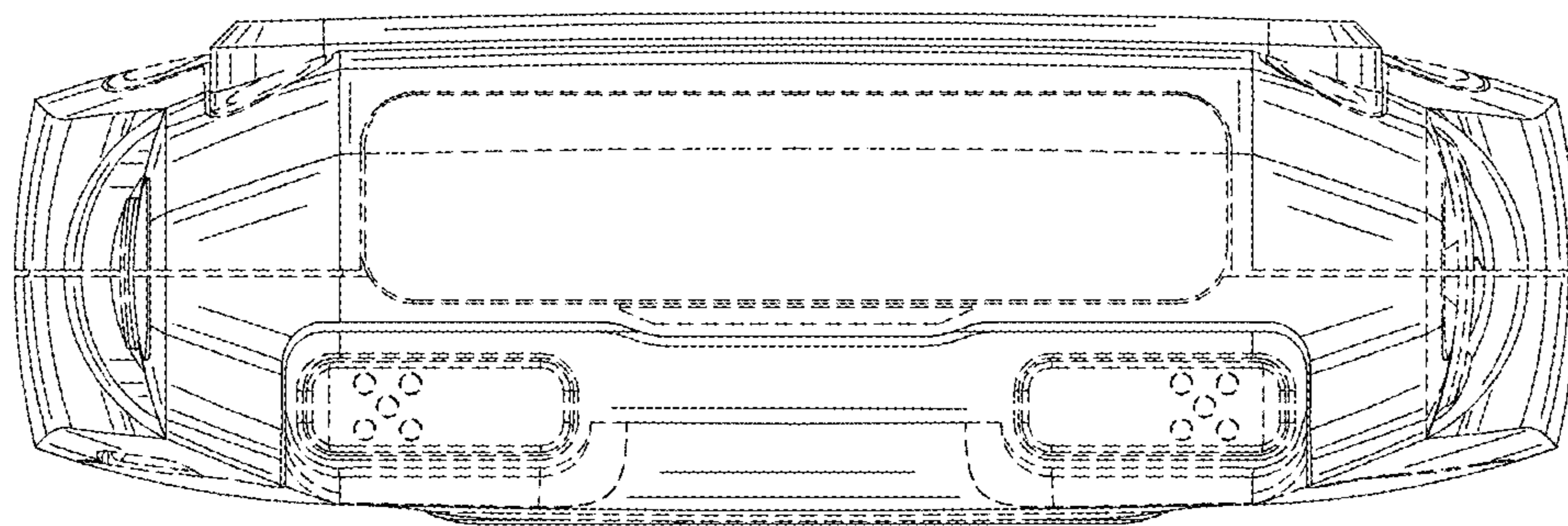


FIG. 8