



US00D818512S

(12) **United States Design Patent**
Massegg et al.

(10) **Patent No.:** **US D818,512 S**

(45) **Date of Patent:** **** May 22, 2018**

(54) **SPOTTING SCOPE**

(71) Applicant: **Carl Zeiss Sports Optics GmbH**,
Wetzlar (DE)

(72) Inventors: **Marian Massegg**, Graz (AT); **Nils Radau**, Salzburg (AT)

(73) Assignee: **Carl Zeiss Sports Optics GmbH**,
Wetzlar (DE)

(**) Term: **15 Years**

(21) Appl. No.: **29/565,480**

(22) Filed: **May 20, 2016**

(30) **Foreign Application Priority Data**

Dec. 8, 2015 (EP) 002899955

(51) **LOC (11) Cl.** **16-06**

(52) **U.S. Cl.**
USPC **D16/132**

(58) **Field of Classification Search**
USPC D22/100, 108, 109, 110, 199;
D16/130-136

(Continued)

(56) **References Cited**

U.S. PATENT DOCUMENTS

D288,210 S 2/1987 Mise
D344,531 S 2/1994 Nemoto

(Continued)

FOREIGN PATENT DOCUMENTS

CA 82344 8/1903
CA 93980 7/1905

(Continued)

Primary Examiner — Sheryl Lane

Assistant Examiner — Jennifer M Campbell

(74) *Attorney, Agent, or Firm* — Walter Ottesen, P.A.

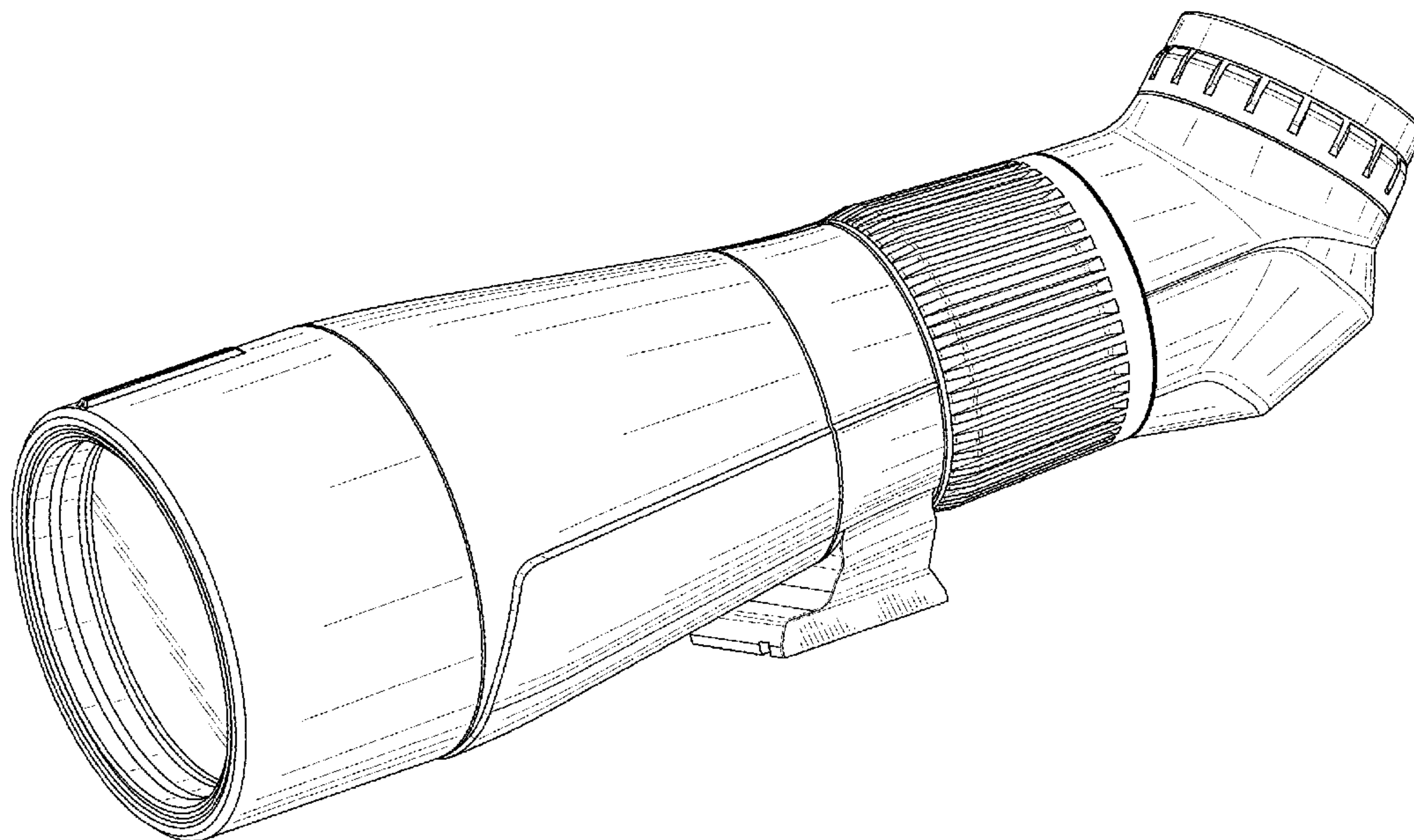
(57) **CLAIM**

The ornamental design for a spotting scope, as shown and described.

DESCRIPTION

FIG. 1 is a perspective view of a first embodiment of the spotting scope of our new design;
FIG. 2 is a top plan view of the spotting scope of FIG. 1;
FIG. 3 is a bottom plan view of the spotting scope of FIG. 1;
FIG. 4 is a right side elevation view of the spotting scope of FIG. 1;
FIG. 5 is a left side elevation view of the spotting scope of FIG. 1;
FIG. 6 is a front elevation view of the spotting scope of FIG. 1;
FIG. 7 is a rear elevation view of the spotting scope of FIG. 1;
FIG. 8 is a perspective view of a second embodiment of the spotting scope of our new design;
FIG. 9 is a top plan view of the spotting scope of FIG. 8;
FIG. 10 is a bottom plan view of the spotting scope of FIG. 8;
FIG. 11 is a right side elevation view of the spotting scope of FIG. 8;
FIG. 12 is a left side elevation view of the spotting scope of FIG. 8;
FIG. 13 is a front elevation view of the spotting scope of FIG. 8; and,
FIG. 14 is a rear elevation view of the spotting scope of FIG. 8.
The stippling shown in FIGS. 1 to 7 depicts a contrasting appearance and forms part of the claimed design.
The broken lines depict portions of the spotting scope and form no part of the claimed design.

1 Claim, 12 Drawing Sheets



US D818,512 S

(58) **Field of Classification Search**
CPC G02B 23/00; G02B 23/02; G02B 23/12;
G02B 23/16; G02B 7/04
See application file for complete search history.

(56) **References Cited**

U.S. PATENT DOCUMENTS

D390,583 S	2/1998	Diebel et al.	
D417,680 S	12/1999	Diebel et al.	
D439,259 S	3/2001	Yamaguchi	
D479,255 S *	9/2003	Hamamura	D16/132
D482,709 S *	11/2003	Meinzer	D16/132
D490,097 S	5/2004	Regan et al.	
D508,252 S	8/2005	Koinuma	
D512,449 S	12/2005	Regan et al.	
D519,537 S	4/2006	Regan et al.	
D528,574 S	9/2006	Koinuma	
D532,803 S	11/2006	Regan et al.	
D534,193 S	12/2006	Ono	
D550,263 S *	9/2007	Zhou	D16/132
D571,386 S *	6/2008	Lipsiner	D16/131
D572,740 S	7/2008	Kitera	
D587,290 S *	2/2009	Meinzer	D16/132
D595,754 S *	7/2009	Hamilton	D16/132
D646,705 S *	10/2011	Wu	D16/132
D674,831 S	1/2013	Wunnicke et al.	
D675,239 S *	1/2013	Wunnicke	D16/132

D685,831 S	7/2013	Wunnicke et al.	
D685,832 S *	7/2013	Wunnicke	D16/132
D695,326 S *	12/2013	Hoelbl	D16/132
D695,327 S *	12/2013	Hoelbl	D16/132
D705,840 S *	5/2014	Iwabuchi	G02B 23/16 D16/132
D724,129 S *	3/2015	Marsiglia	D16/132
D731,571 S *	6/2015	Imamizu	D16/132
D732,097 S *	6/2015	Imamizu	D16/132
D732,592 S *	6/2015	Imamizu	D16/132
D791,852 S	7/2017	Harding et al.	

FOREIGN PATENT DOCUMENTS

CN	302944121	9/2014
CN	303298496	7/2015
EM	000059613-0001	11/2003
EM	000059613-0002	11/2003
EM	000059613-0003	11/2003
EM	000059613-0004	11/2003
EM	001186159-0001	2/2010
EM	001186159-0002	2/2010
EM	001403398-0001	3/2014
EM	001403398-0002	3/2014
GB	2086140	2/1999
WO	D060297-0001	5/2002
WO	D060297-0002	5/2002

* cited by examiner

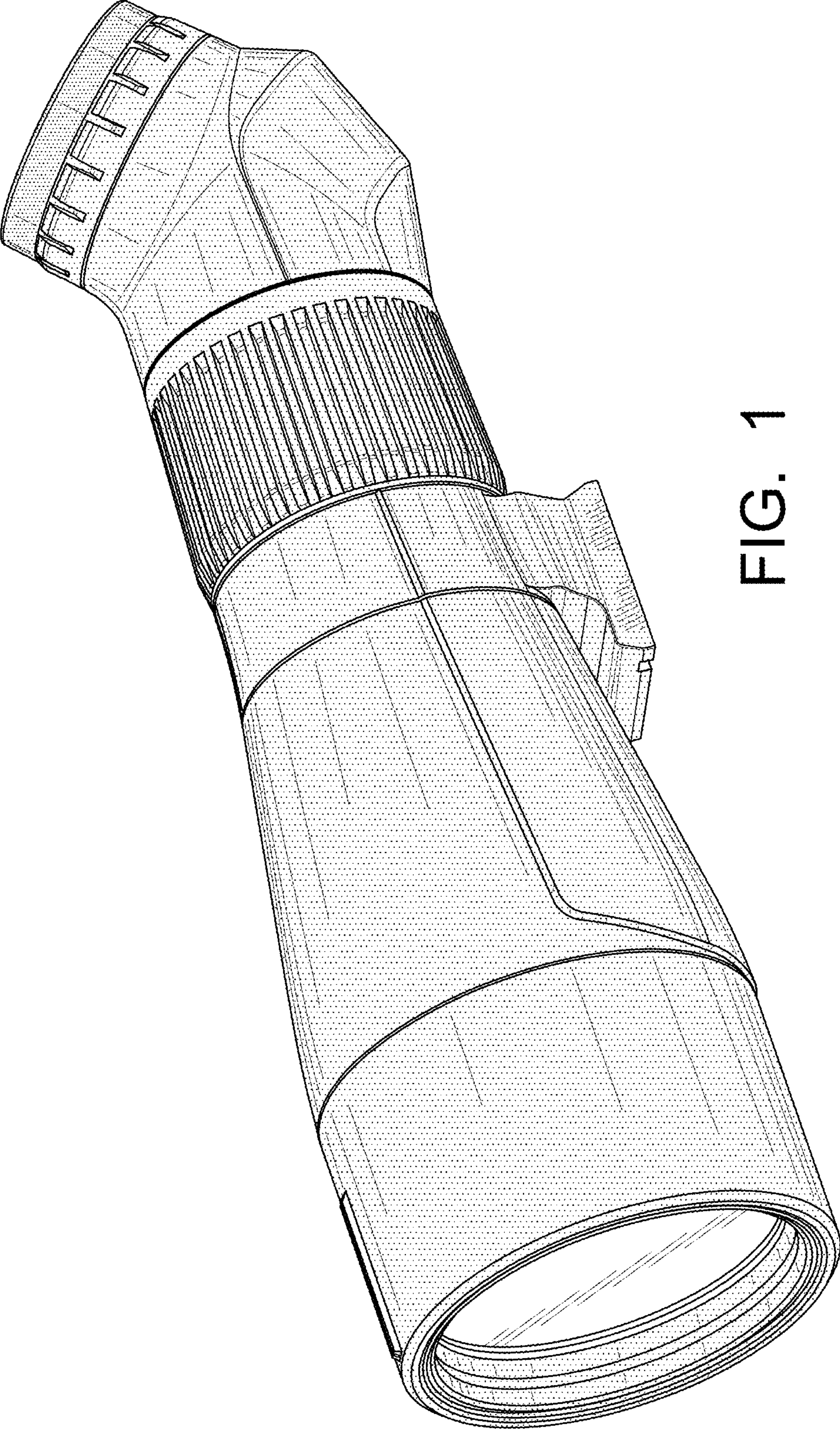


FIG. 1

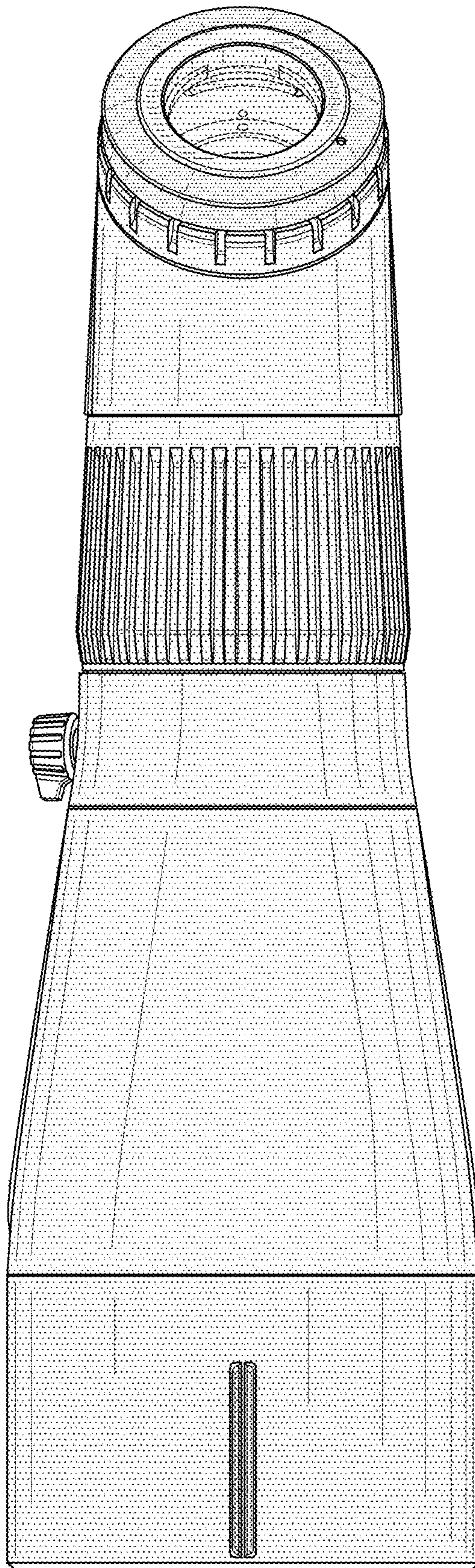


FIG. 2

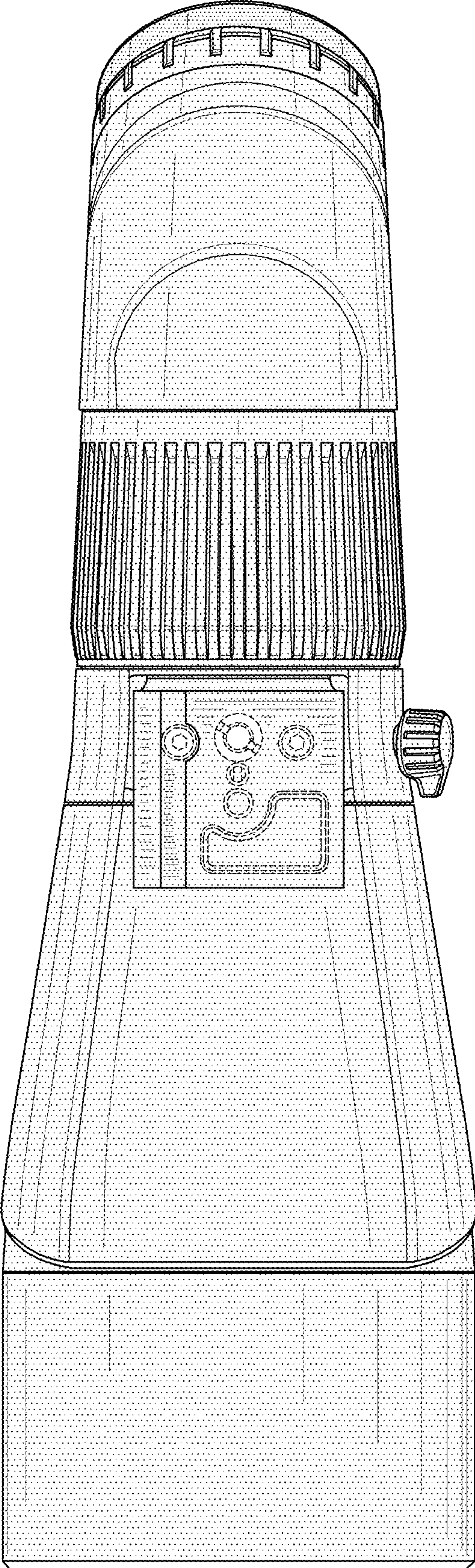


FIG. 3

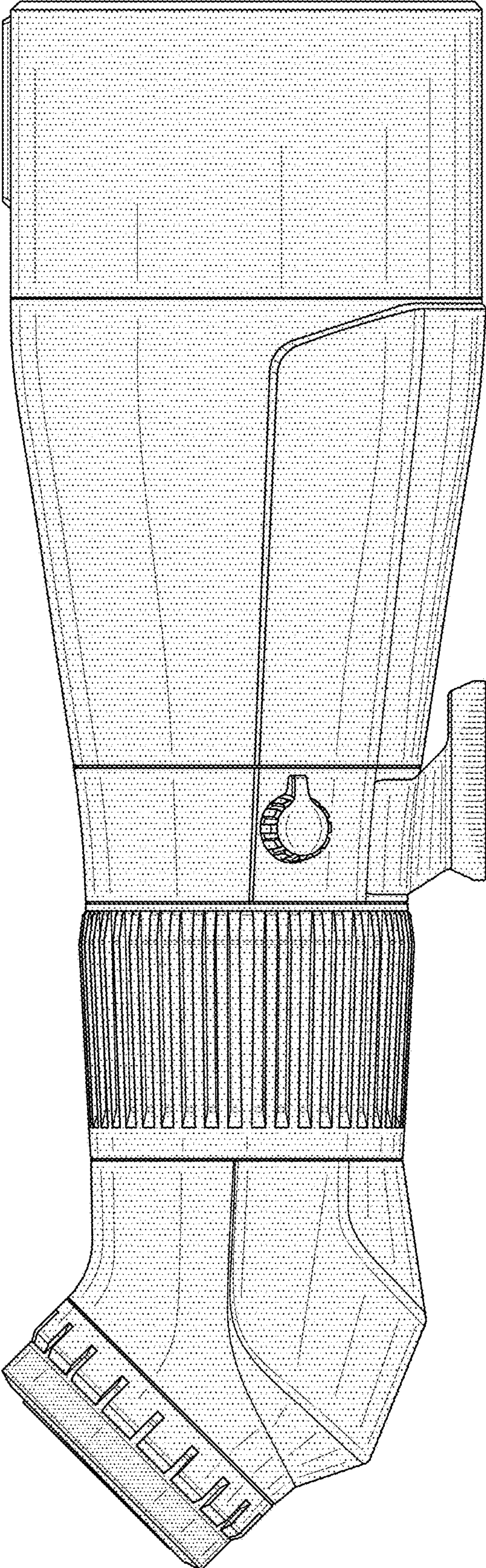


FIG. 4

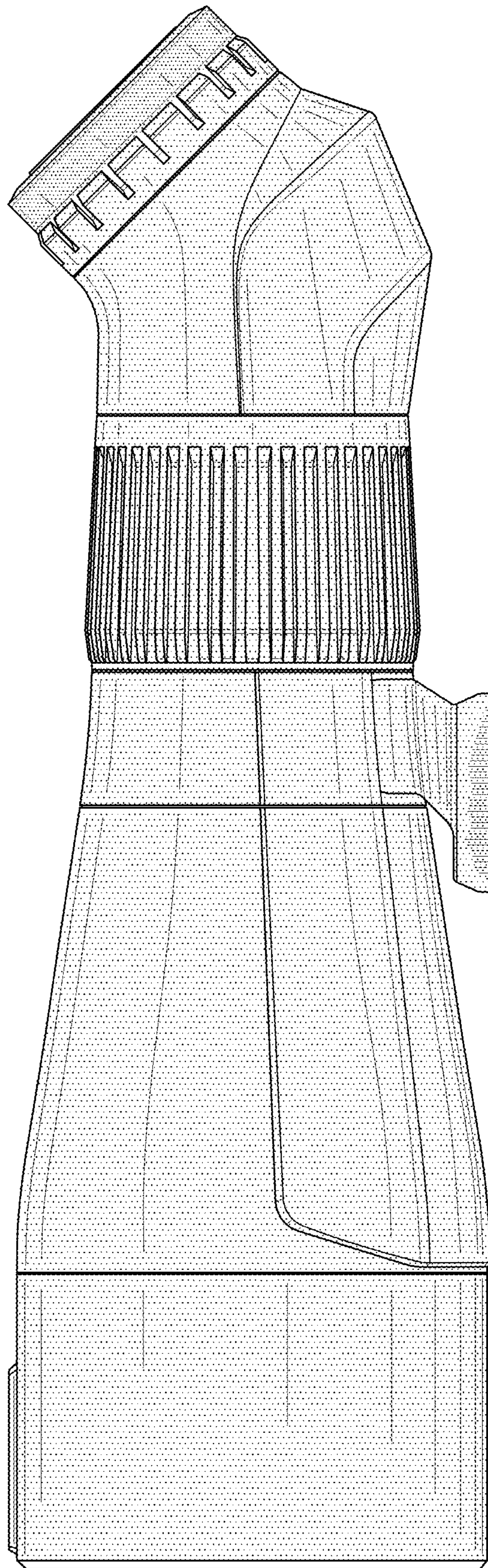


FIG. 5

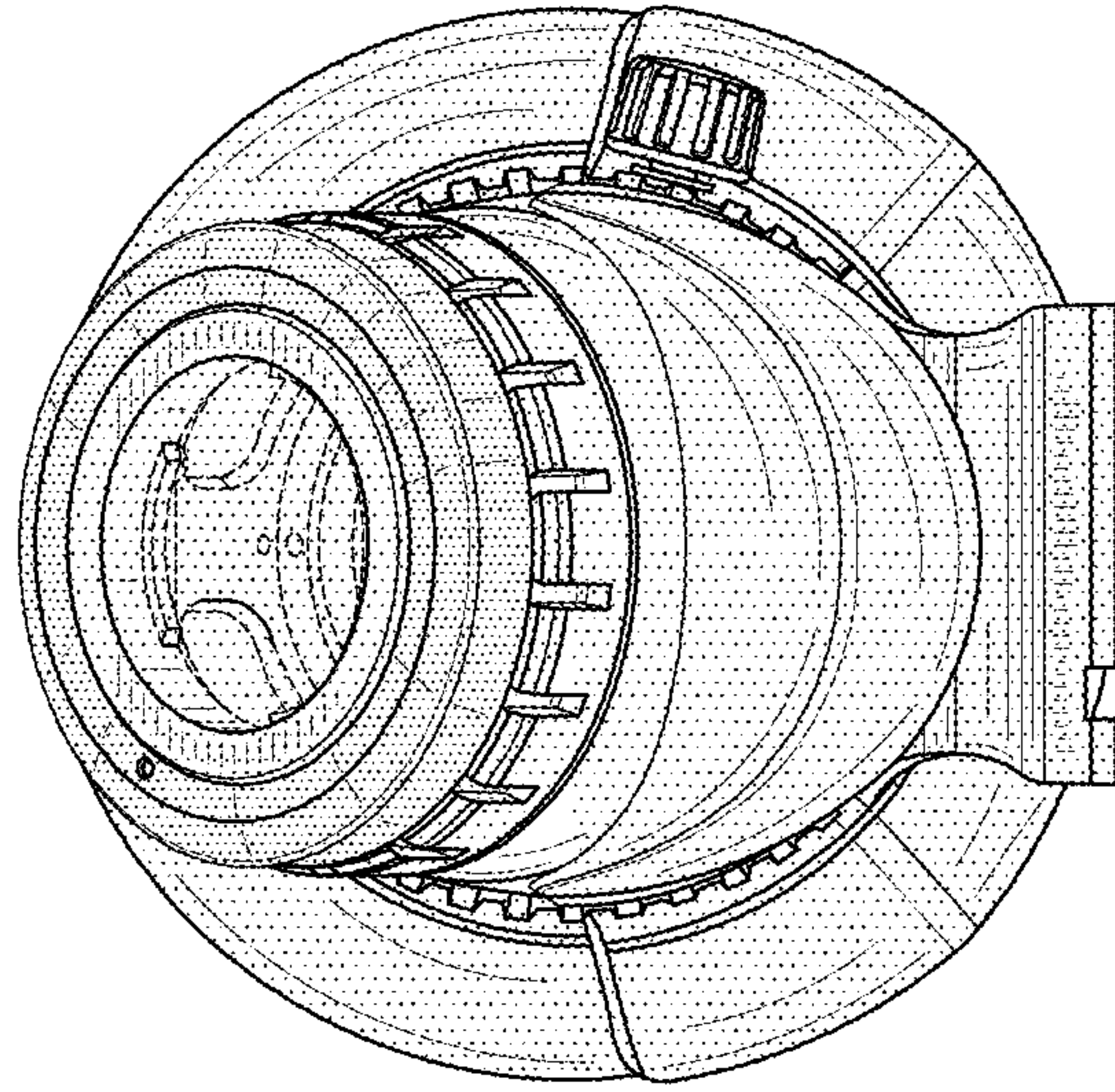


FIG. 7

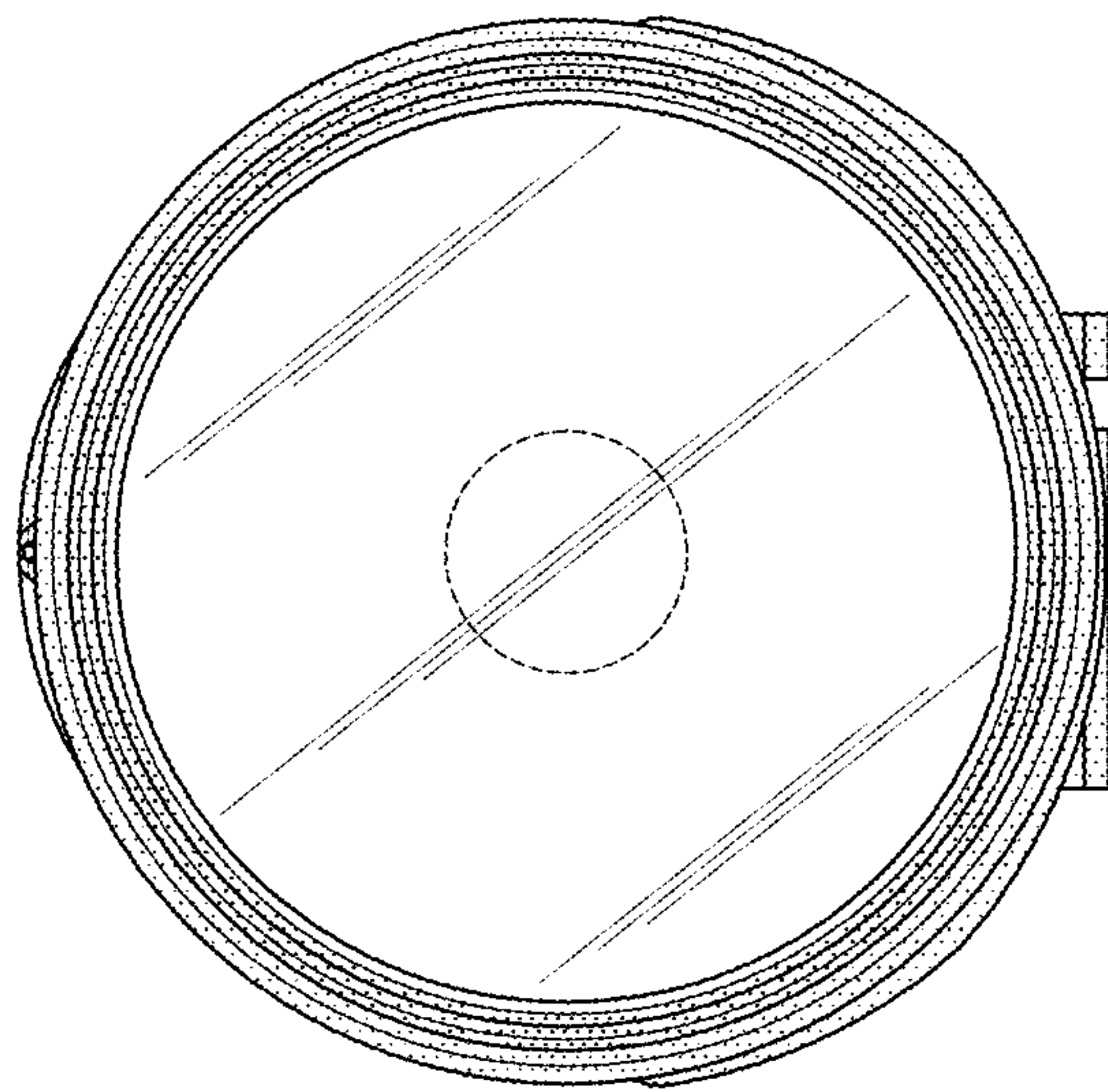


FIG. 6

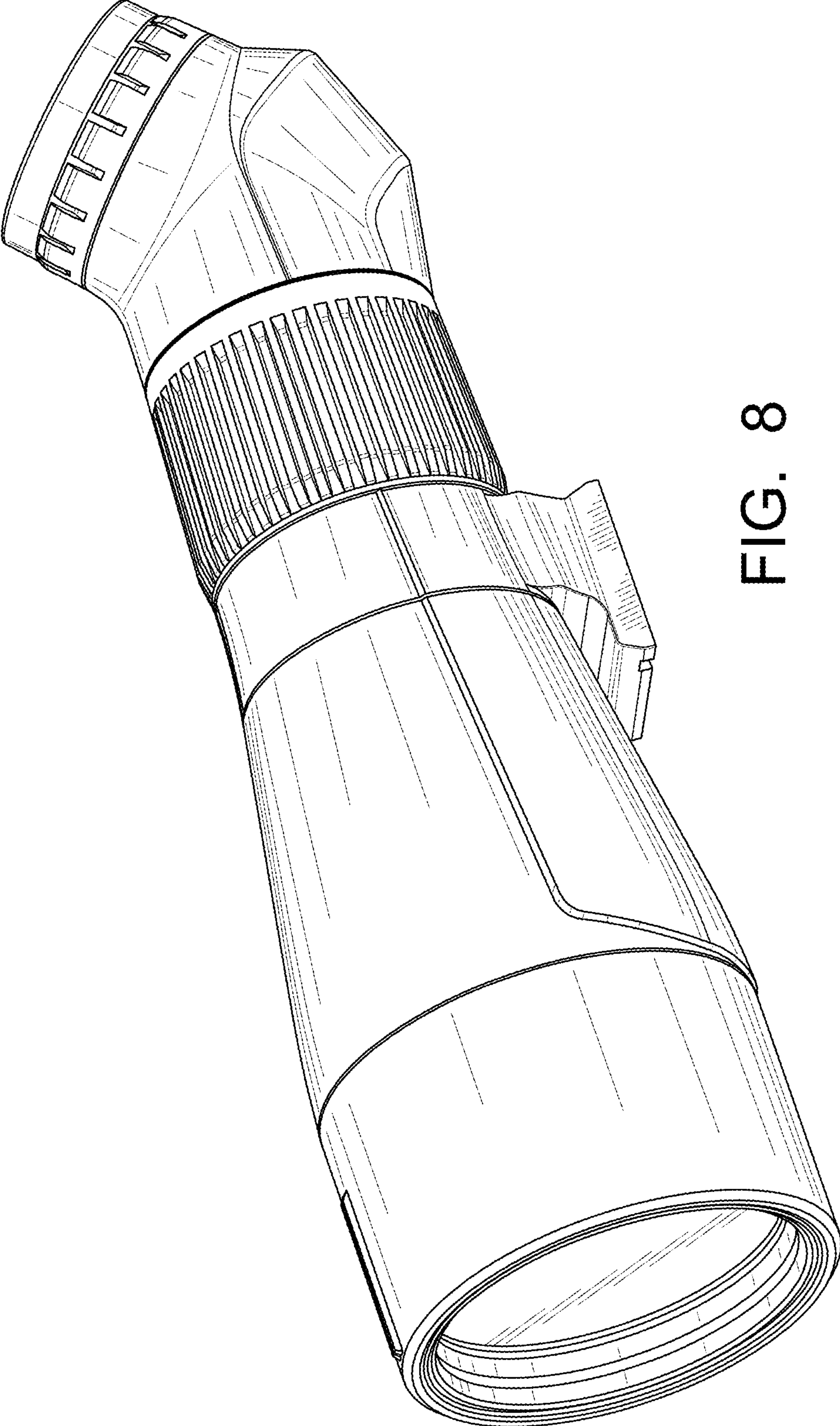


FIG. 8

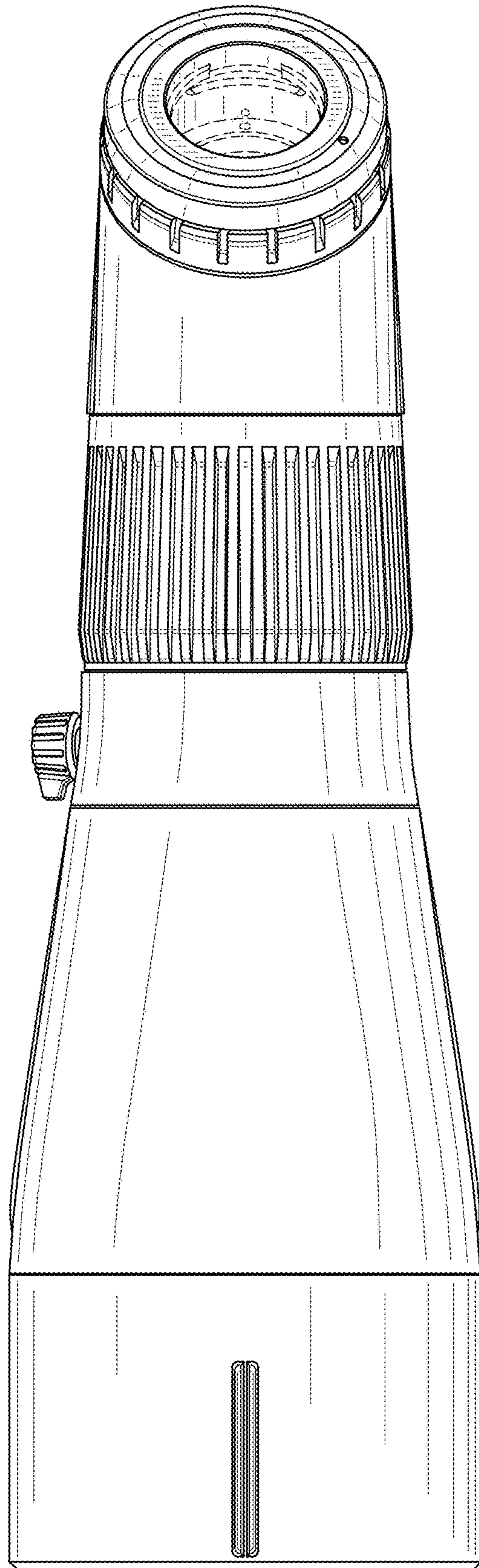


FIG. 9

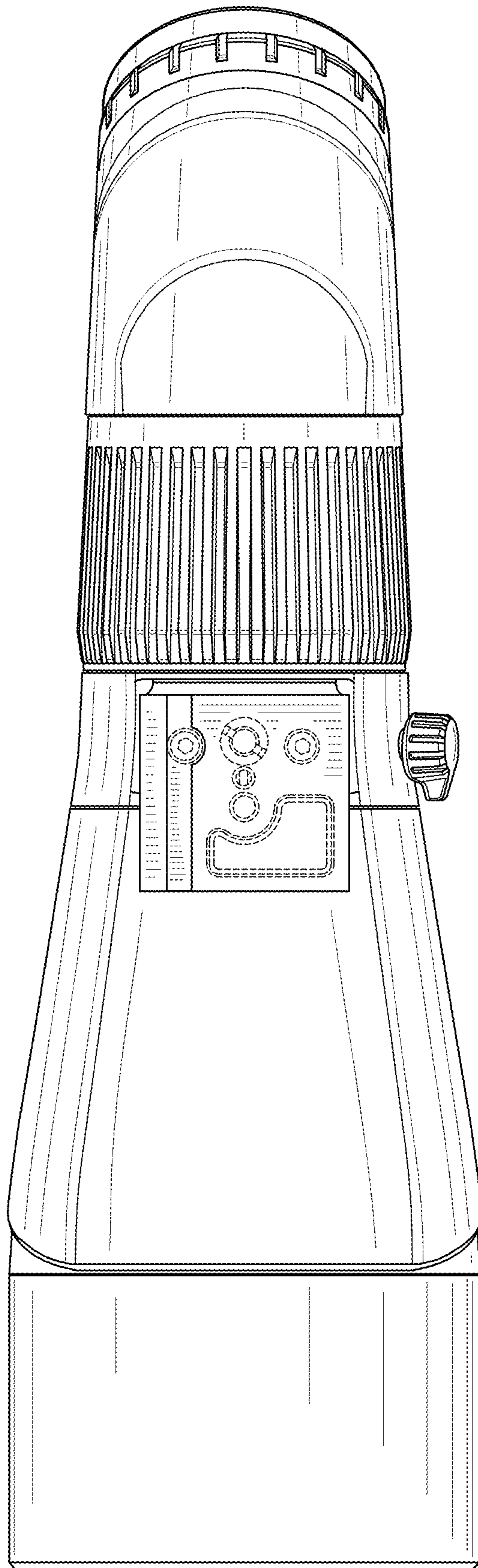


FIG. 10

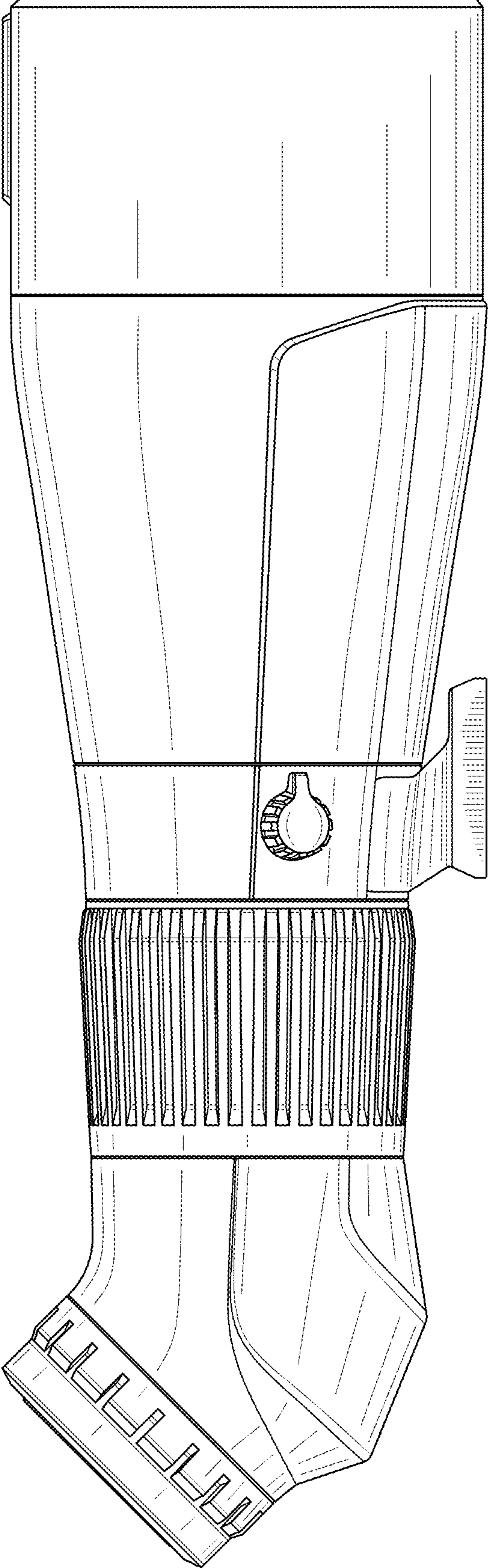


FIG. 11

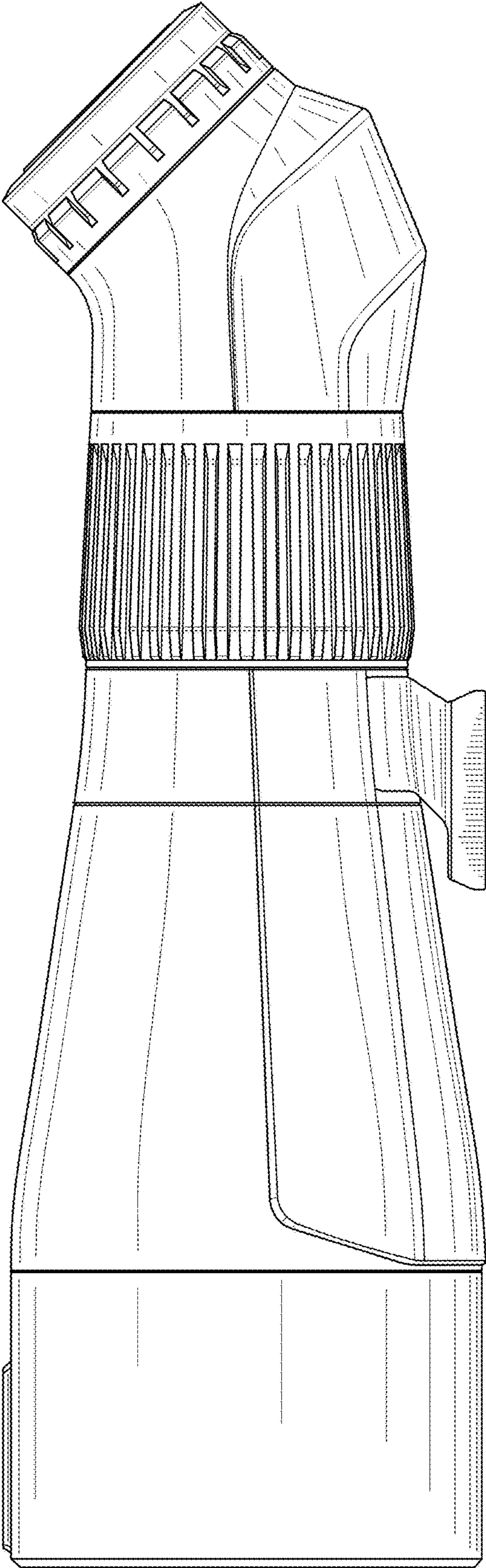


FIG. 12

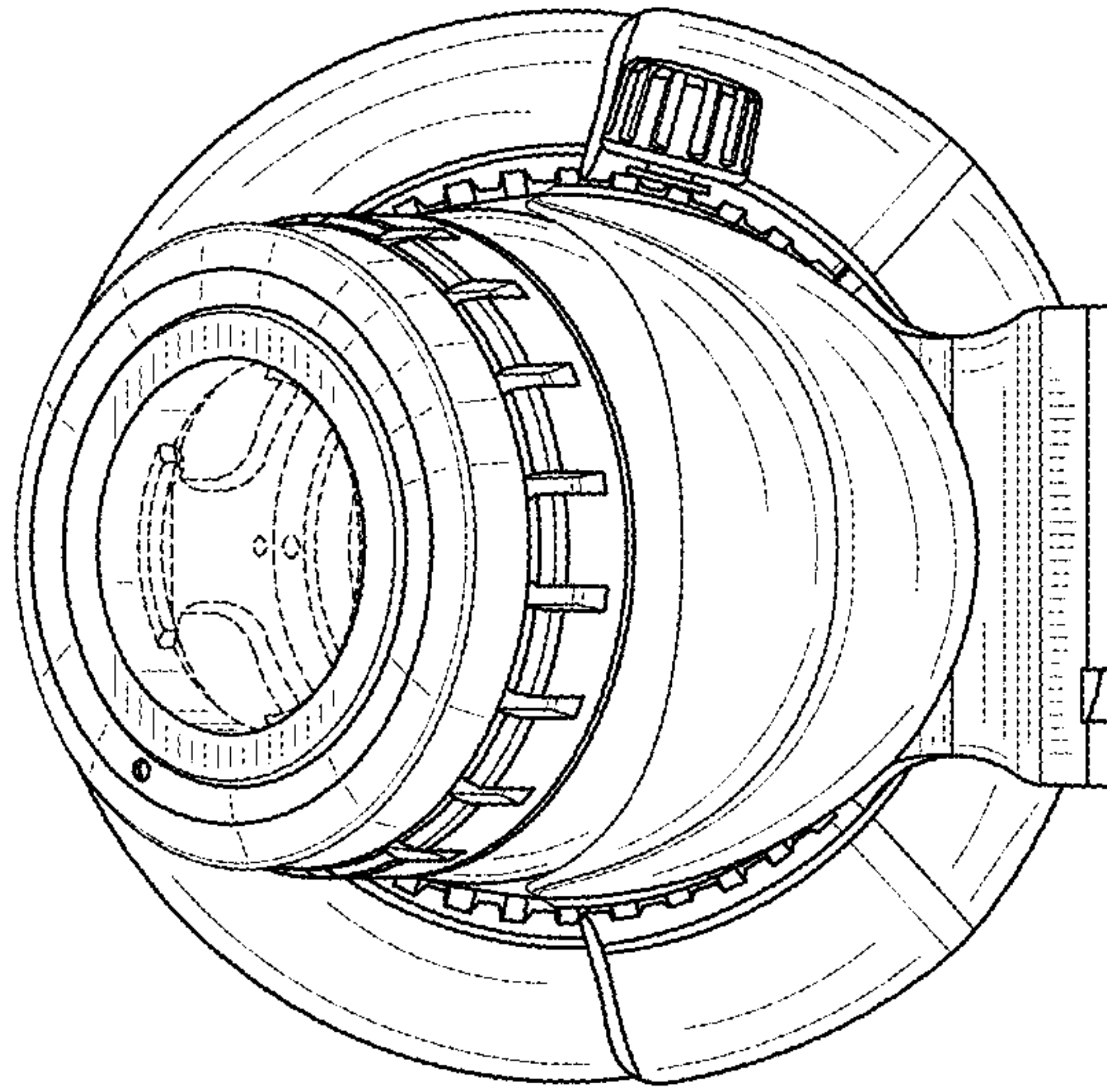


FIG. 14

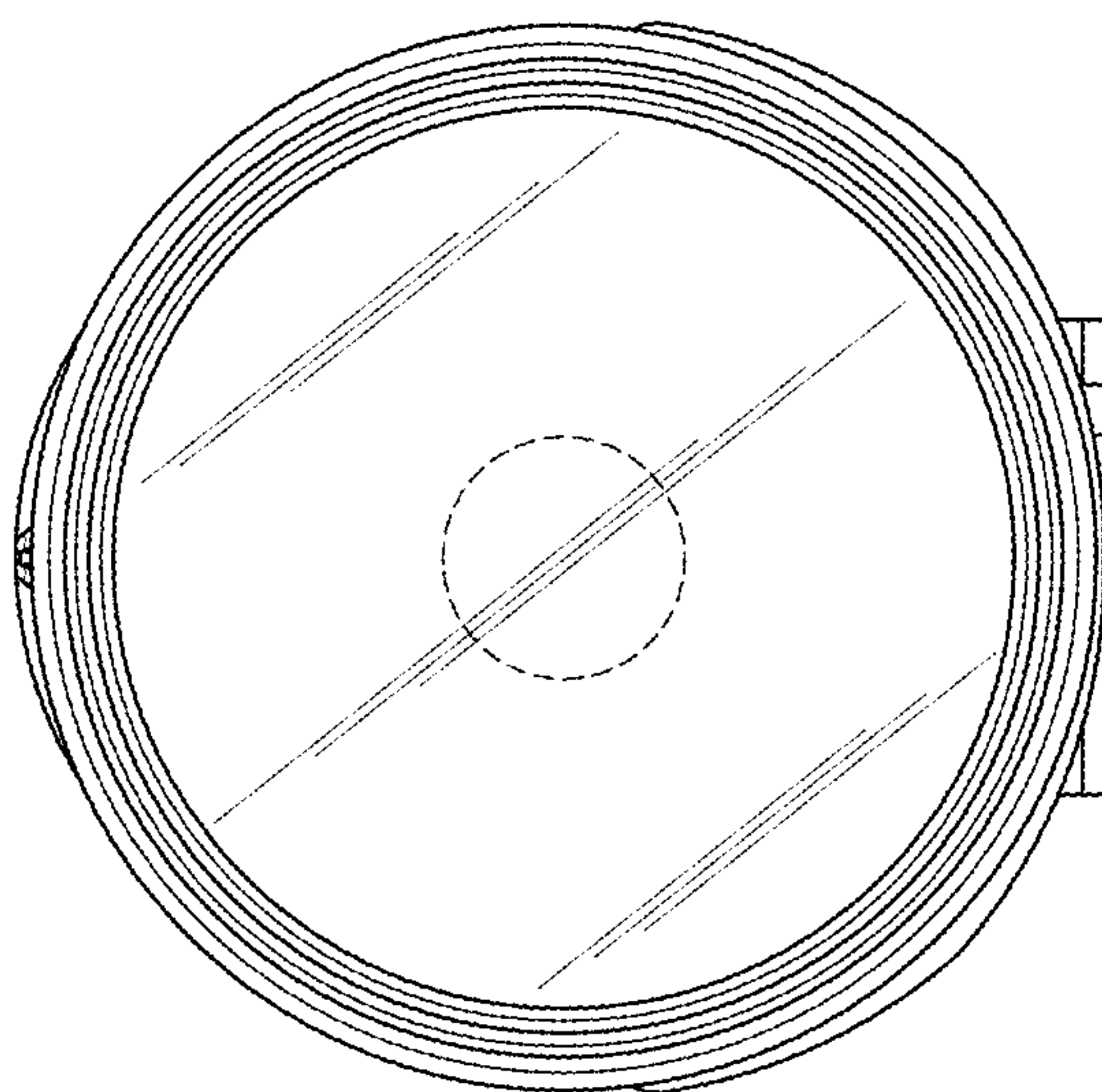


FIG. 13