



US00D818511S

(12) **United States Design Patent**
Li et al.

(10) **Patent No.:** **US D818,511 S**
(45) **Date of Patent:** **** May 22, 2018**

(54) **INDUSTRIAL ROBOT**

(71) Applicant: **DELTA ELECTRONICS, INC.**,
Taoyuan (TW)

(72) Inventors: **Jun-Huang Li**, Taoyuan (TW); **Bo-Ren Ciou**, Taoyuan (TW); **Hsiu-Ling Cho**, Taoyuan (TW)

(73) Assignee: **DELTA ELECTRONICS, INC.**,
Taoyuan (TW)

(**) Term: **15 Years**

(21) Appl. No.: **29/600,154**

(22) Filed: **Apr. 10, 2017**

(51) **LOC (11) Cl.** **15-99**

(52) **U.S. Cl.**
USPC **D15/199**

(58) **Field of Classification Search**
USPC D15/199; D21/578-583, 621, 622
CPC ... B25J 5/00; B25J 5/007; B25J 9/0006; B25J
19/0016; Y10S 901/01; Y10S 901/19;
Y10S 901/27

See application file for complete search history.

(56) **References Cited**

U.S. PATENT DOCUMENTS

D274,182 S *	6/1984	Kato	D15/122
D289,406 S *	4/1987	Shibayama	D15/122
D292,981 S *	12/1987	Skoog	D15/122
D298,834 S *	12/1988	Jones	D15/122
D343,630 S *	1/1994	Tomiyama	D15/199
D410,660 S *	6/1999	Kawaguchi	D15/199
D433,042 S *	10/2000	Kawahara	D15/199
D452,517 S *	12/2001	Kawaguchi	D15/199
D503,943 S *	4/2005	Kawaguchi	D15/199
D572,739 S *	7/2008	Jennings	D15/199
7,559,590 B1 *	7/2009	Jones	B25J 19/0025
				294/2
D622,299 S *	8/2010	Liu	D15/199

D645,488 S *	9/2011	Miyake	D15/199
D711,061 S *	8/2014	Chen	D34/29
D718,160 S *	11/2014	Shimano	D10/65
D764,557 S *	8/2016	Yamada	D15/199
D782,553 S *	3/2017	Goto	D15/199
D790,618 S *	6/2017	Ke	D15/199
2011/0147103 A1 *	6/2011	Alfayad	B25J 17/0283
				180/8.5
2014/0366674 A1 *	12/2014	Swartz	B25J 18/00
				74/490.05
2016/0107317 A1 *	4/2016	Hashimoto	B25J 9/042
				414/744.2
2017/0173789 A1 *	6/2017	Kilibarda	B25J 15/0033
2017/0217023 A1 *	8/2017	Smith	B25J 15/0066
2018/0036892 A1 *	2/2018	Berns	B25J 15/0616

* cited by examiner

Primary Examiner — Patricia A Palasik

(74) *Attorney, Agent, or Firm* — Kirton McConkie; Evan R. Witt

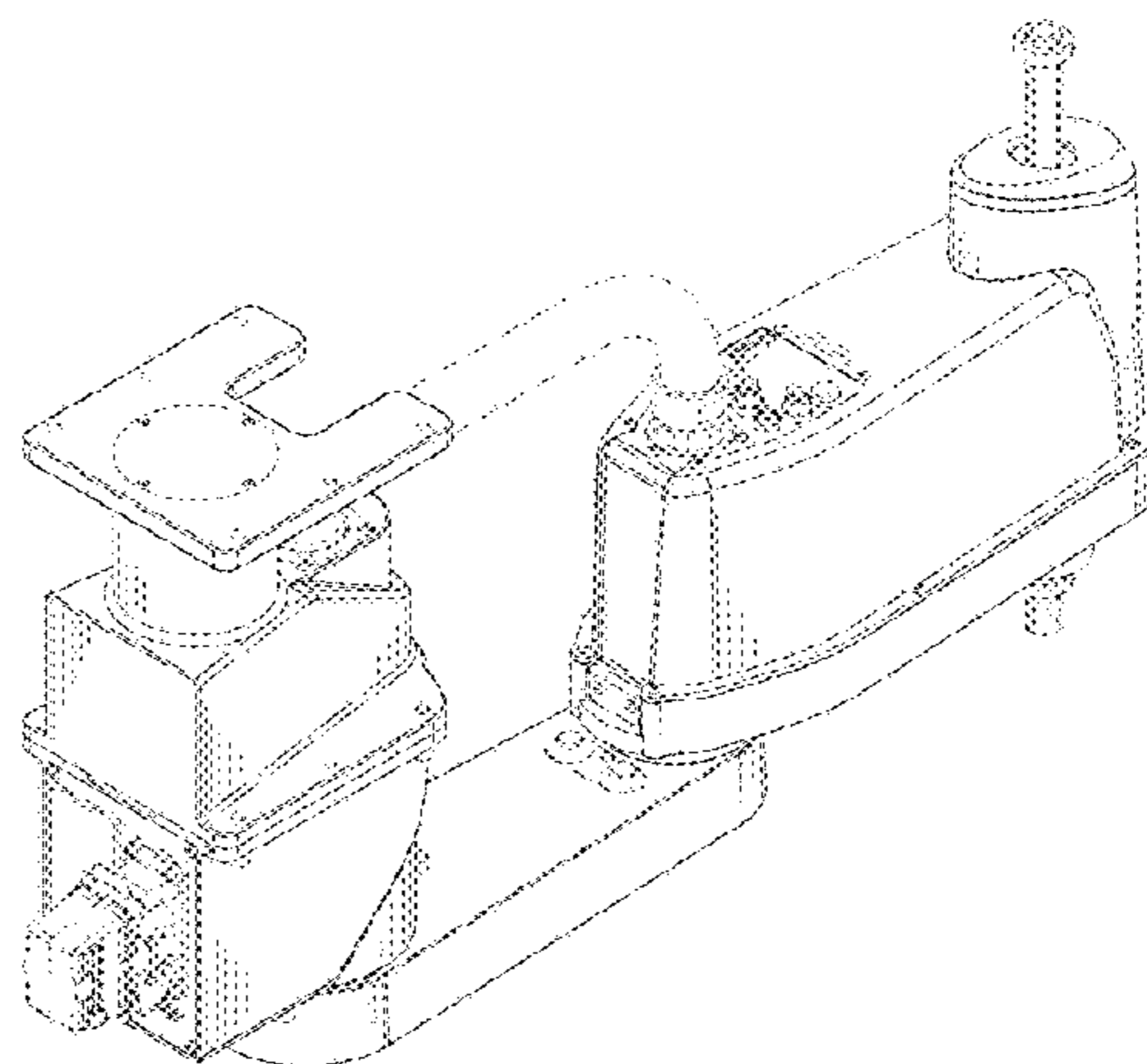
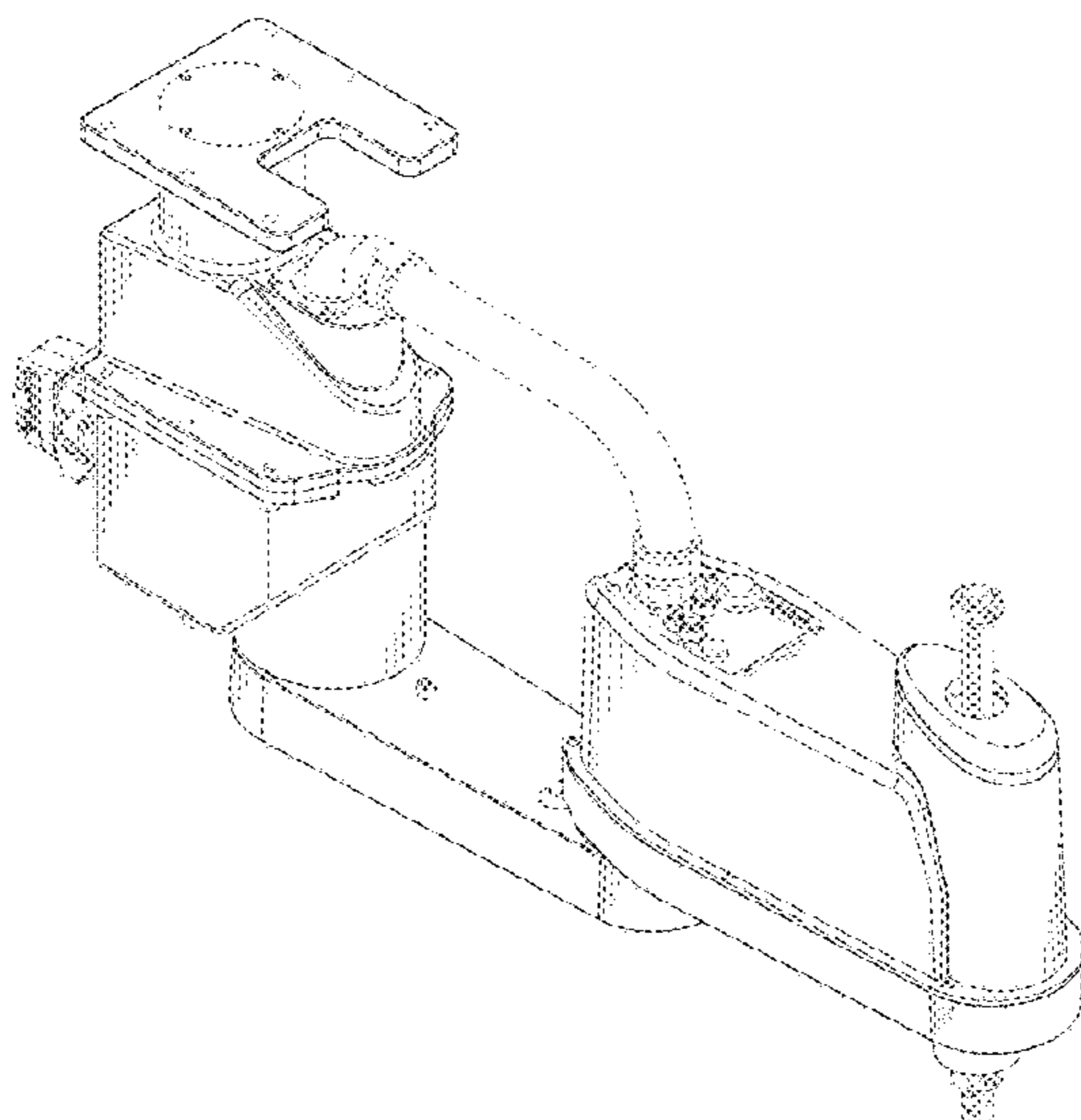
(57) **CLAIM**

The ornamental design for an industrial robot, as shown and described.

DESCRIPTION

FIG. 1 is a perspective view of an industrial robot showing our new design;
FIG. 2 is another perspective view thereof;
FIG. 3 is a front elevational view thereof;
FIG. 4 is a rear elevational view thereof;
FIG. 5 is a left side elevational view thereof;
FIG. 6 is a right side elevational view thereof;
FIG. 7 is a top plan view thereof; and,
FIG. 8 is a bottom plan view thereof.
The broken line portions in the drawing views are included to show unclaimed environmental subject matter only and form no part of the claimed design.

1 Claim, 6 Drawing Sheets



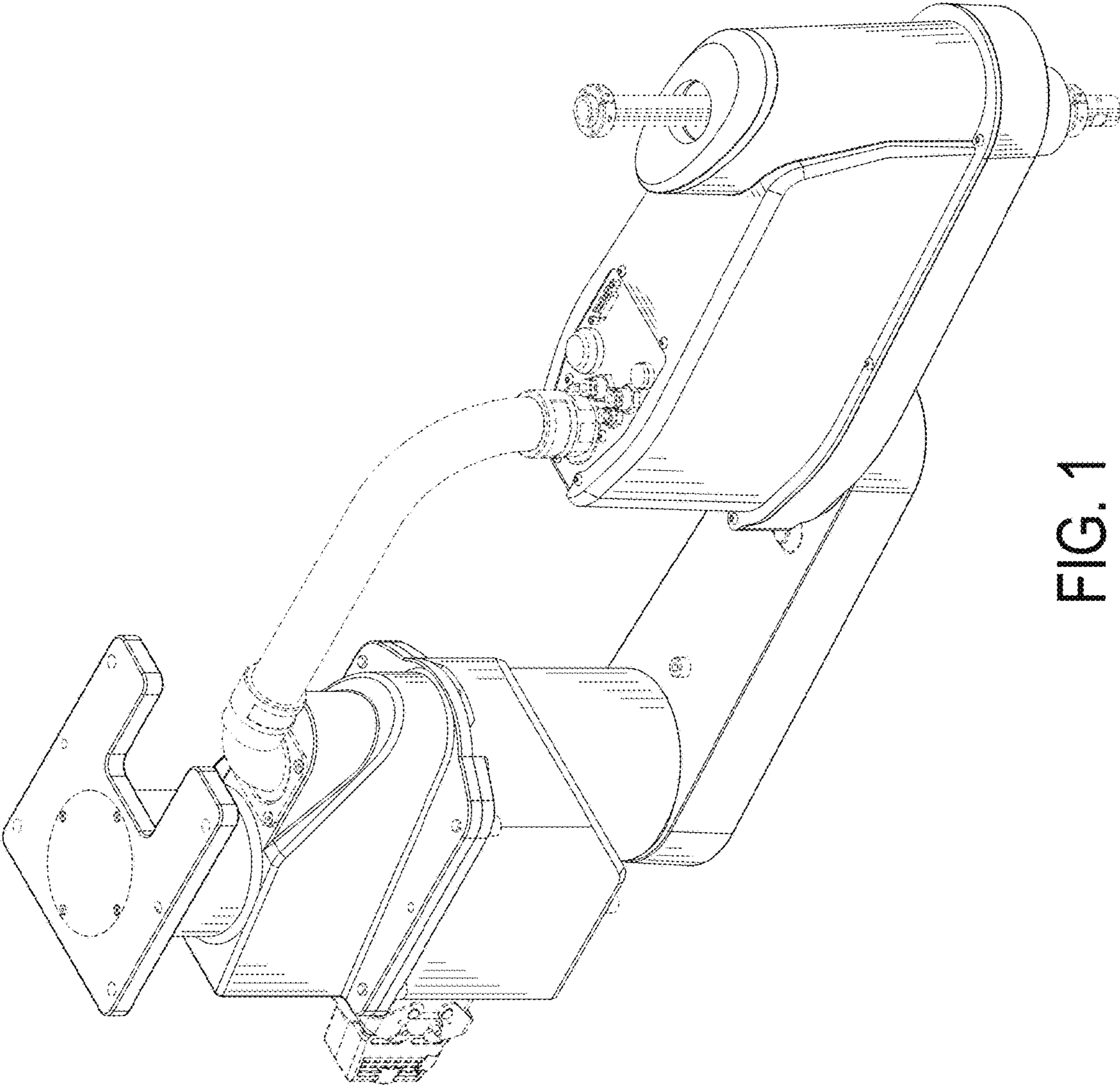


FIG. 1

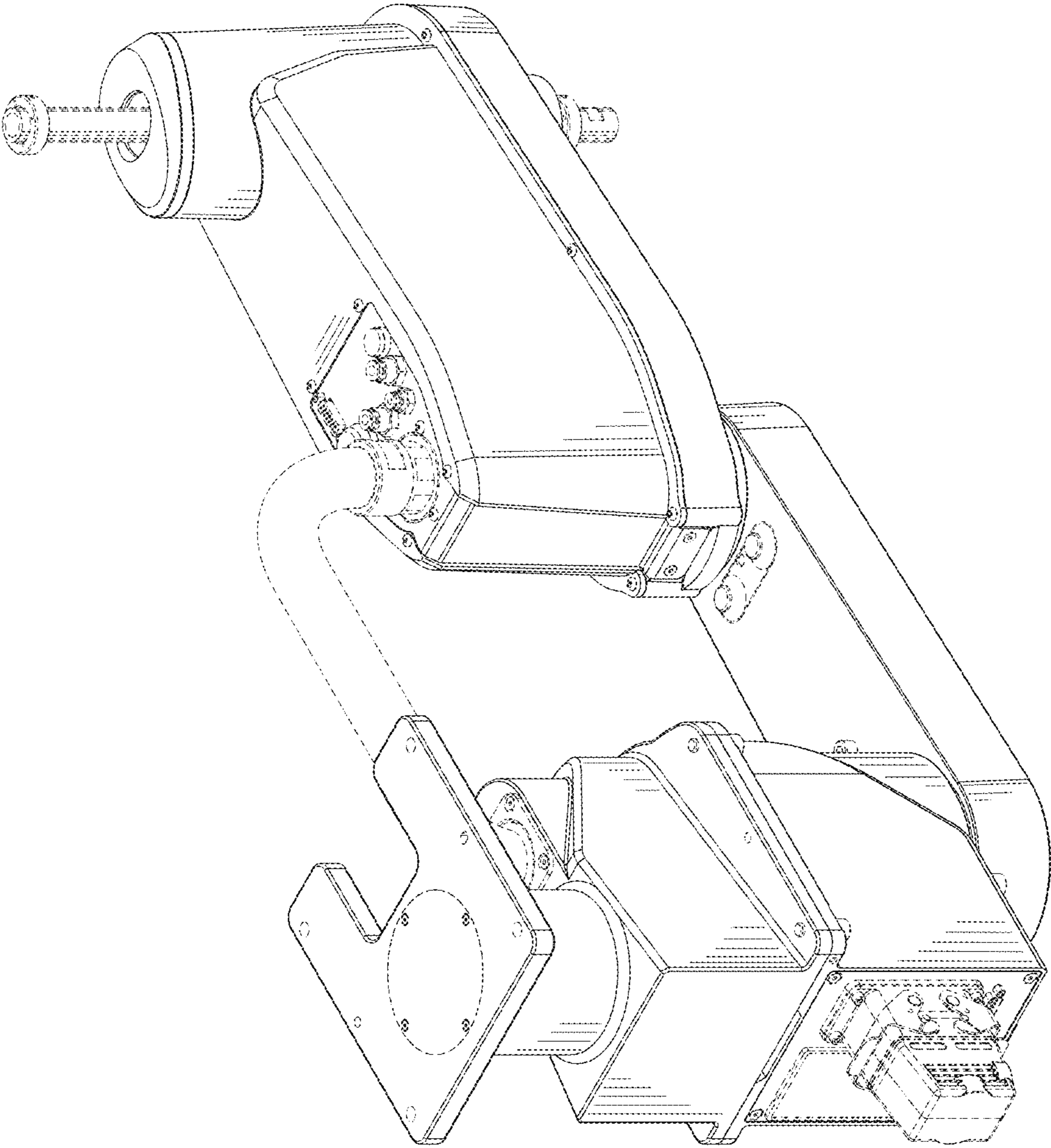


FIG. 2

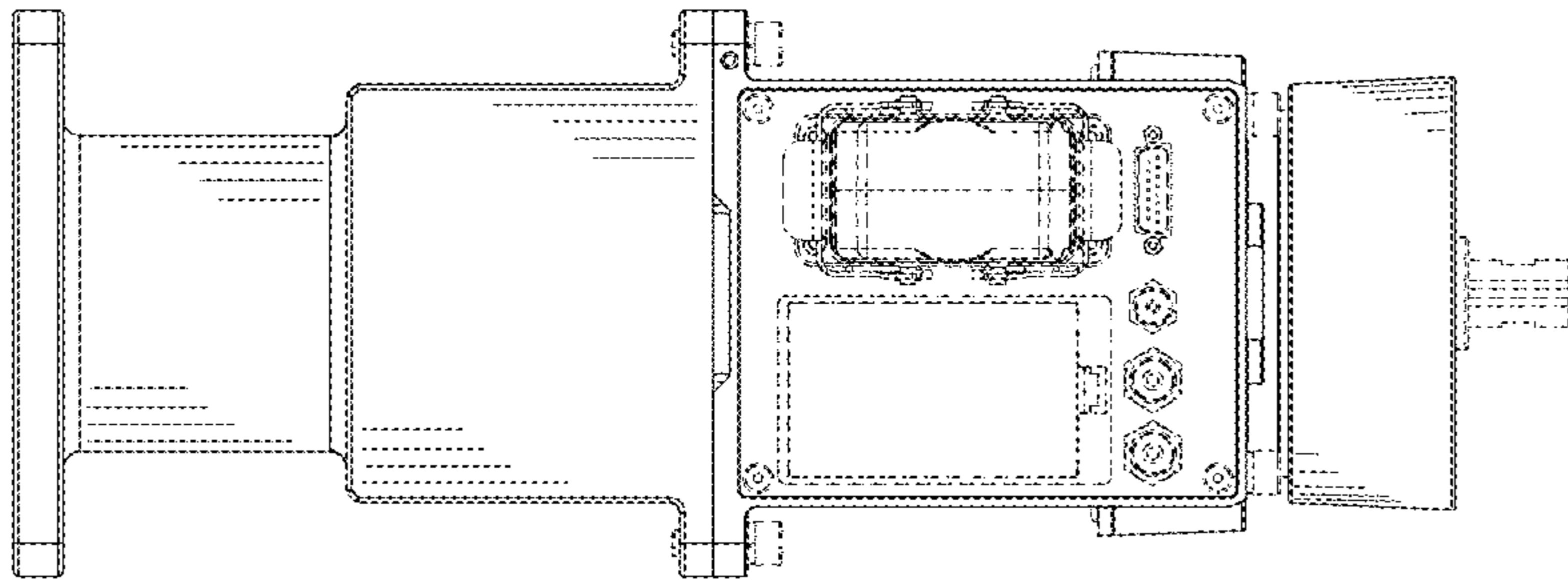


FIG. 4

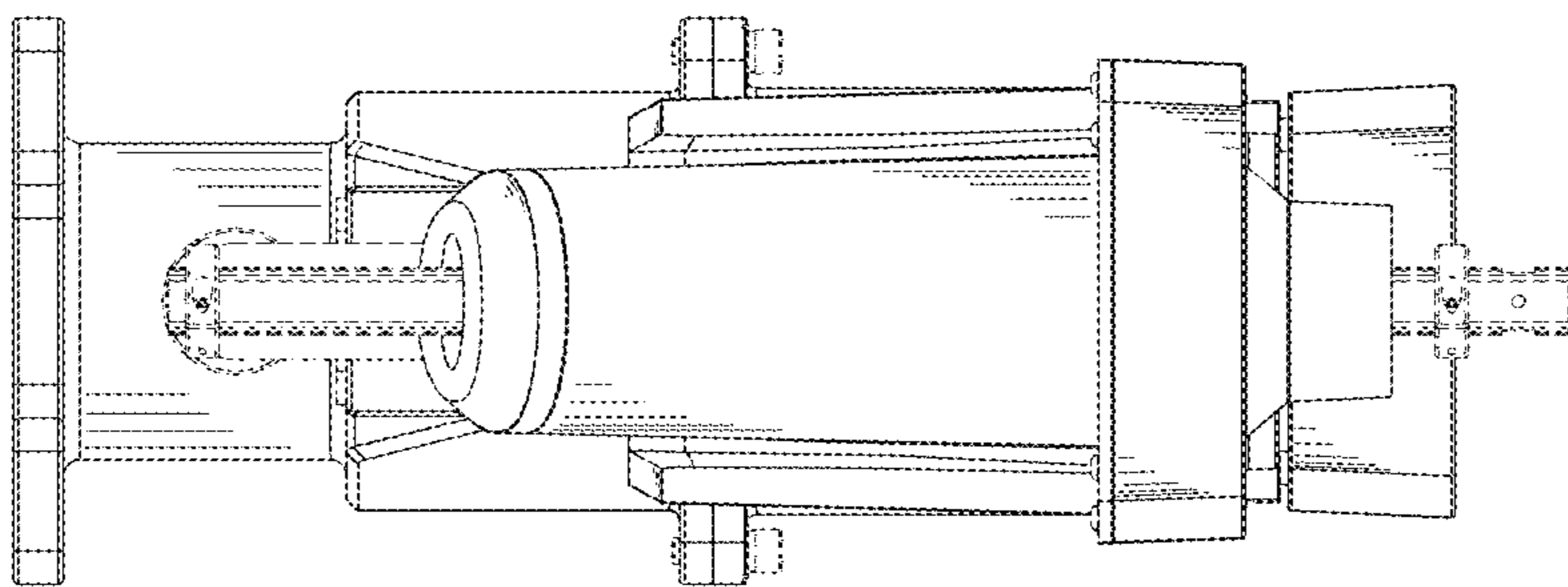


FIG. 3

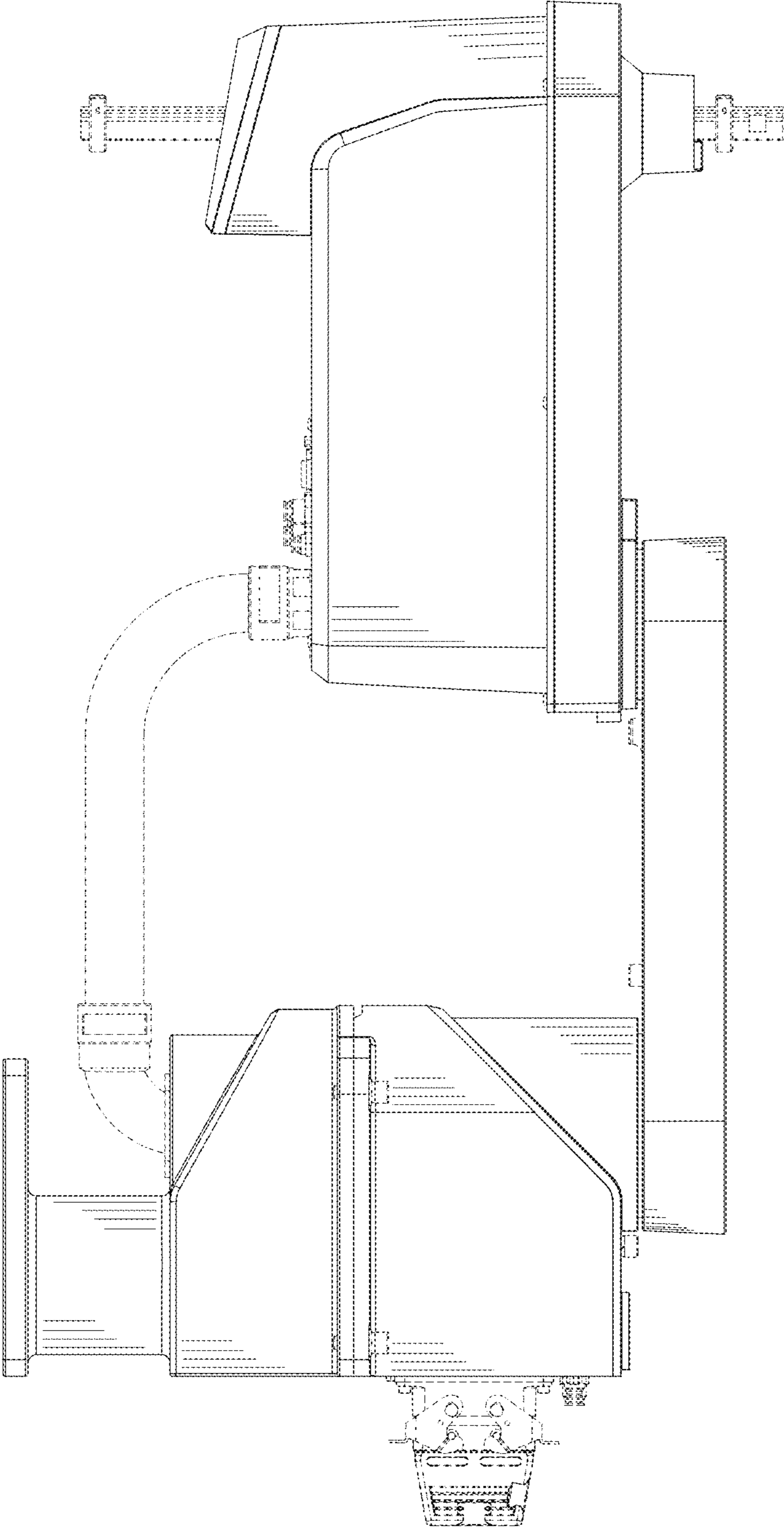


FIG. 5

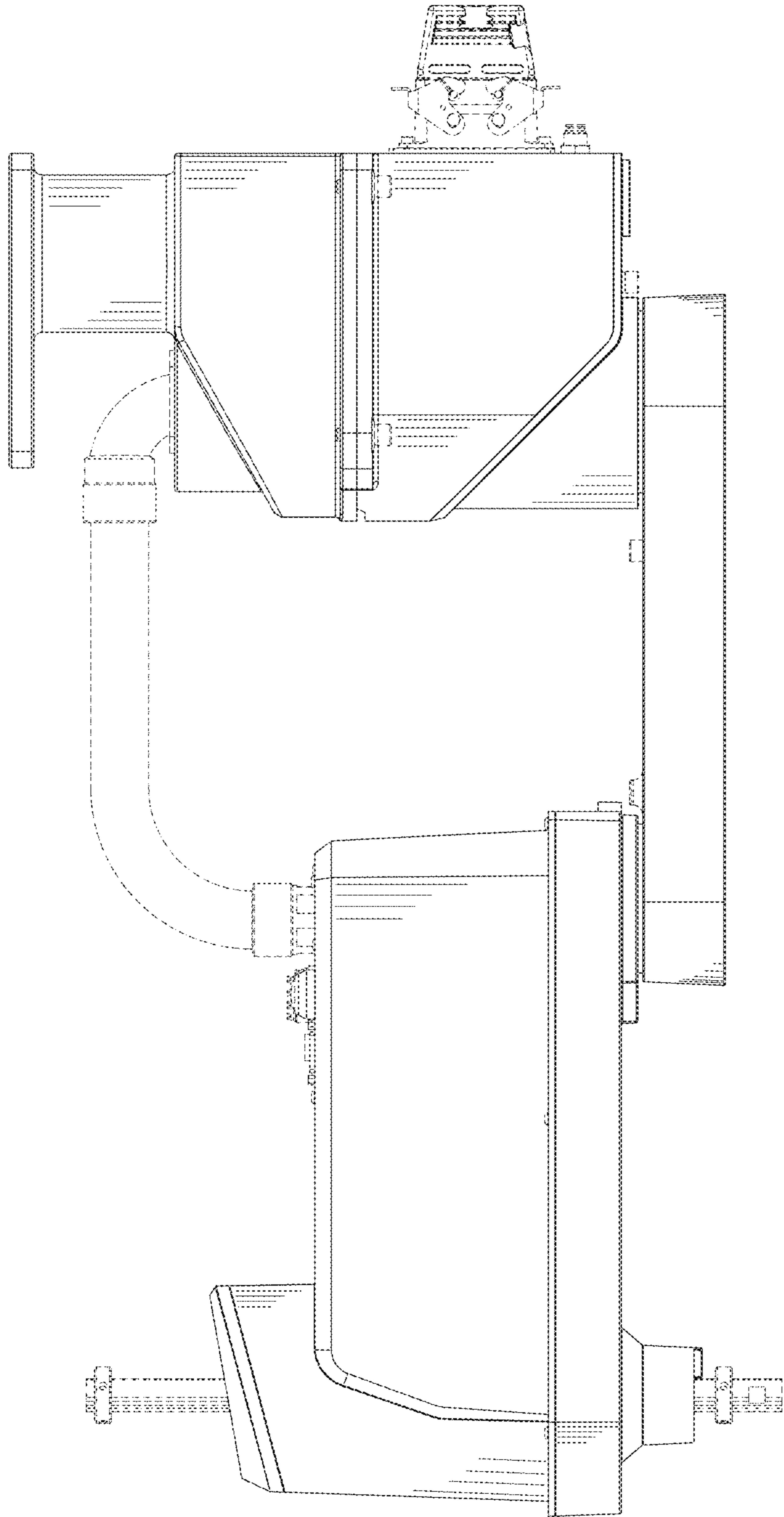


FIG. 6

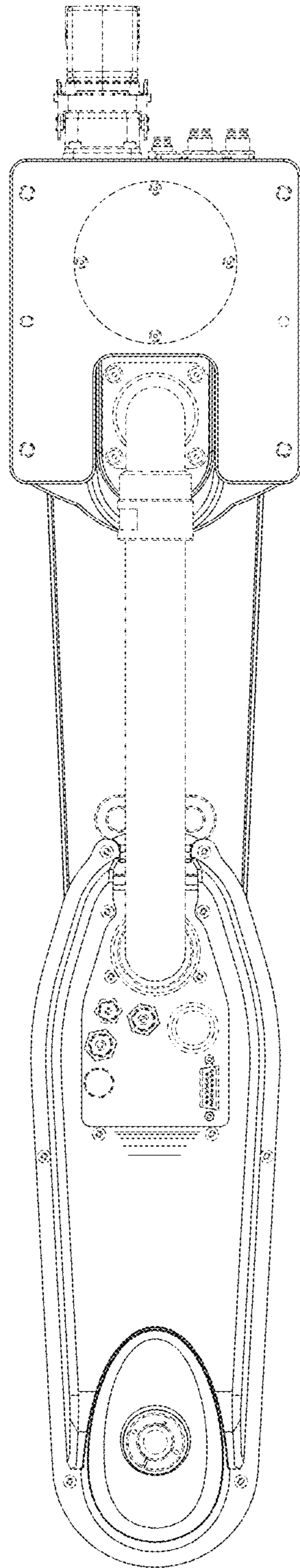


FIG. 7

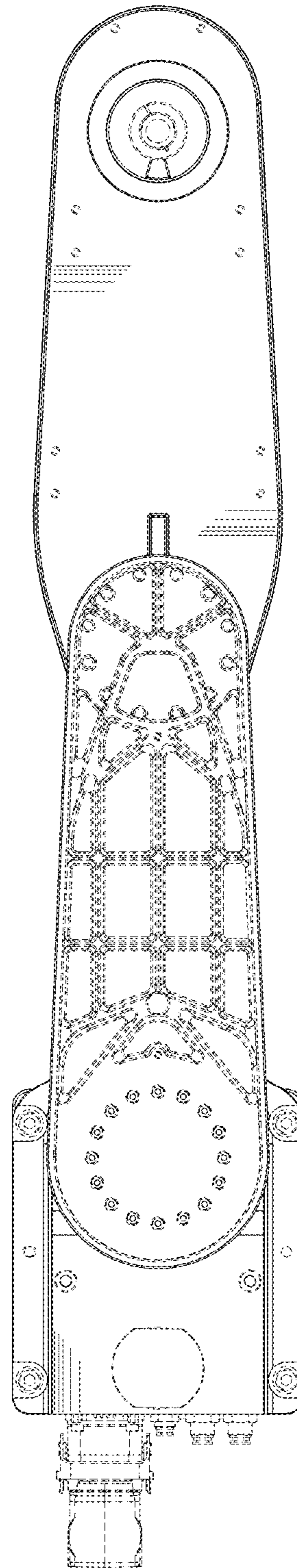


FIG. 8