



US00D818509S

(12) **United States Design Patent**  
**Miyazaki et al.**

(10) **Patent No.:** **US D818,509 S**

(45) **Date of Patent:** **\*\* May 22, 2018**

(54) **NOZZLE FOR SOLDERING IRON**

(71) Applicant: **Hakko Corporation**, Naniwa-ku,  
Osaka-shi, Osaka (JP)

(72) Inventors: **Mitsuhiko Miyazaki**, Osaka (JP);  
**Tomoaki Harada**, Osaka (JP)

(73) Assignee: **HAKKO CORPORATION**, Osaka  
(JP)

(\*\*) Term: **15 Years**

(21) Appl. No.: **29/598,779**

(22) Filed: **Mar. 28, 2017**

(30) **Foreign Application Priority Data**

Feb. 10, 2017 (JP) ..... 2017-002494

(51) **LOC (11) Cl.** ..... **15-09**

(52) **U.S. Cl.**  
USPC ..... **D15/144.2**

(58) **Field of Classification Search**

USPC ..... D8/30; D15/144, 144.1, 144.2  
CPC ..... B23K 3/0615; H01L 2924/00; H01L  
2924/0002; H05K 3/3457; H05K  
2201/09918; H05K 2201/10689; H05K  
2203/0126; H05K 2203/0545

See application file for complete search history.

(56) **References Cited**

U.S. PATENT DOCUMENTS

D200,434 S \* 2/1965 Newton ..... D8/61  
D223,666 S \* 5/1972 Elsele ..... D10/46  
D243,147 S \* 1/1977 Sylvester ..... D8/30  
4,932,581 A \* 6/1990 Ohle ..... B23K 3/0615  
226/43  
5,042,708 A \* 8/1991 Ledermann ..... B23K 3/0615  
219/209

5,104,689 A \* 4/1992 Hayden ..... B23K 3/0615  
118/323  
D330,999 S \* 11/1992 Watmore ..... D8/30  
D442,875 S \* 5/2001 Fujiwara ..... D15/144.2  
6,247,631 B1 \* 6/2001 Kawakatsu ..... B23K 1/012  
219/229  
6,659,335 B2 \* 12/2003 Nagata ..... B23K 3/0607  
228/256  
6,744,003 B1 \* 6/2004 Ono ..... B23K 3/025  
219/85.16  
7,699,208 B2 \* 4/2010 Forti ..... B23K 1/0016  
228/51  
D754,765 S \* 4/2016 Nielsen ..... D15/144.1  
D796,001 S \* 8/2017 Carroll ..... D23/213

\* cited by examiner

*Primary Examiner* — Patricia A Palasik

(74) *Attorney, Agent, or Firm* — Squire Patton Boggs  
(US) LLP

(57) **CLAIM**

The ornamental design for a nozzle for soldering iron, as shown and described.

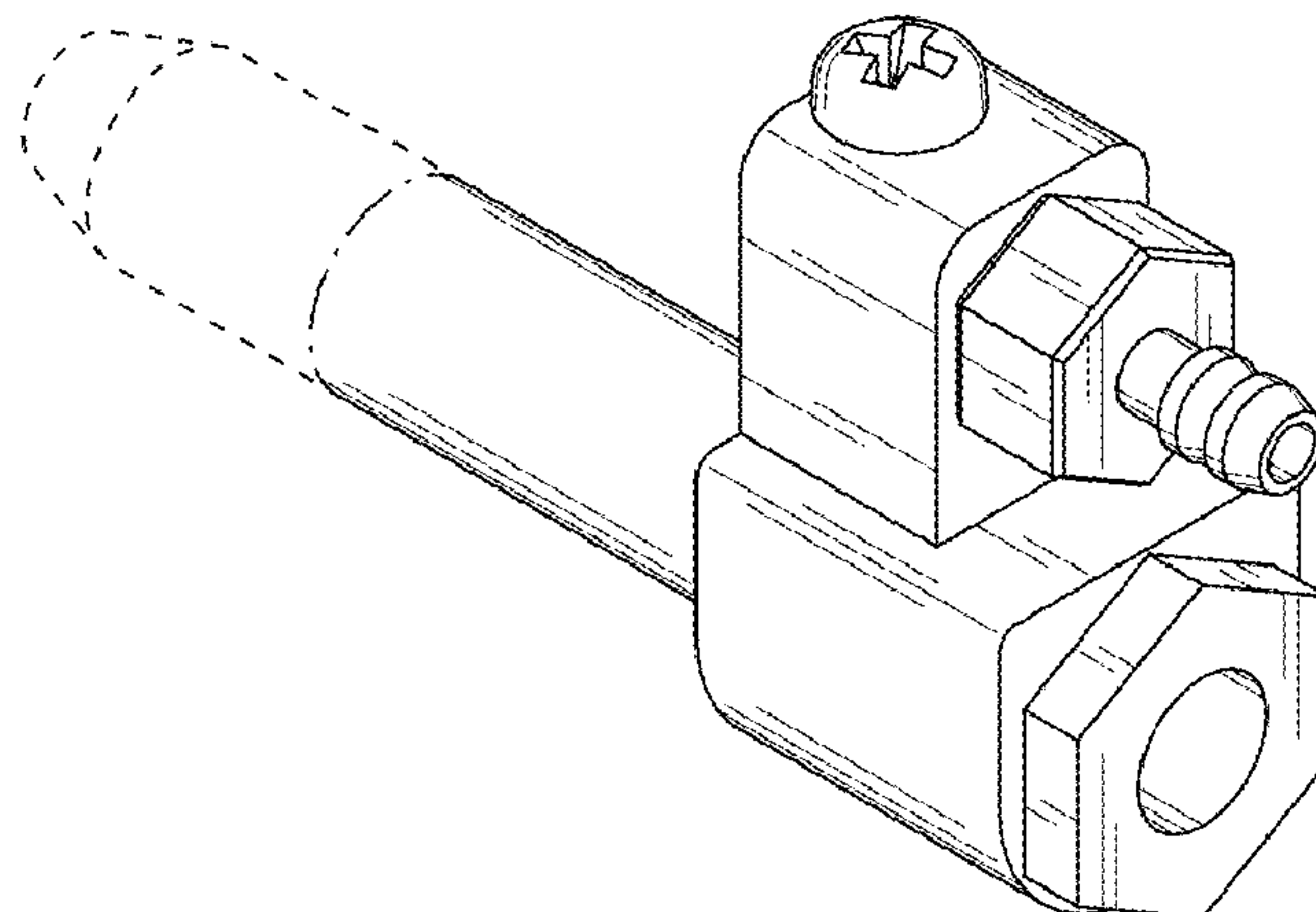
**DESCRIPTION**

FIG. 1 is a perspective view of a nozzle for soldering iron; FIG. 2 is a front view thereof; FIG. 3 is a rear view thereof; FIG. 4 is a left side view thereof; FIG. 5 is a right side view thereof; FIG. 6 is a top view thereof; FIG. 7 is a bottom view thereof; and, FIG. 8 is a cross-sectional view taken along line 8-8 in FIG. 4 thereof.

The broken lines in the drawings depict unclaimed environmental subject matter.

The dashed lines show a boundary between the claimed design and unclaimed portions.

**1 Claim, 5 Drawing Sheets**



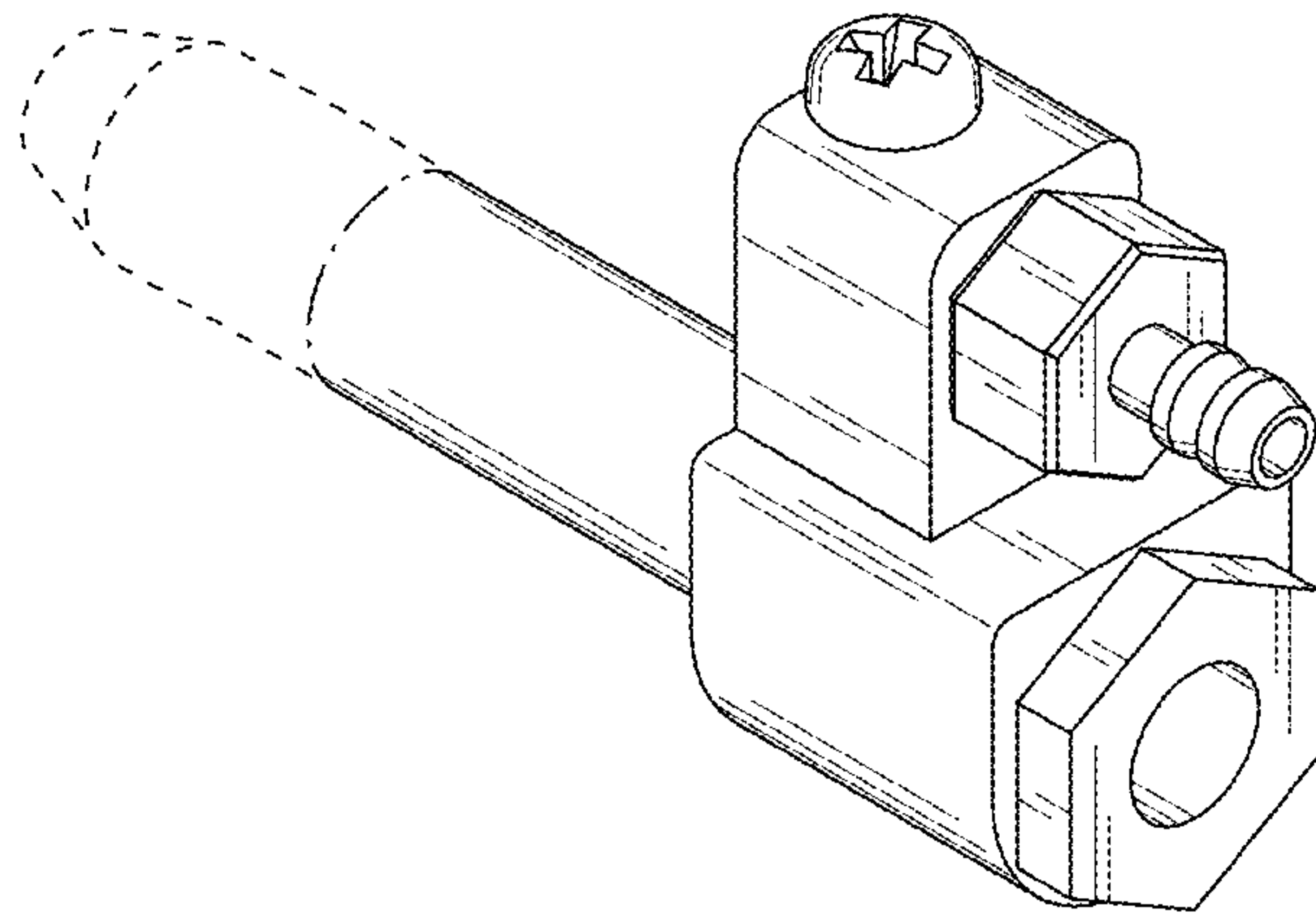


FIG.1

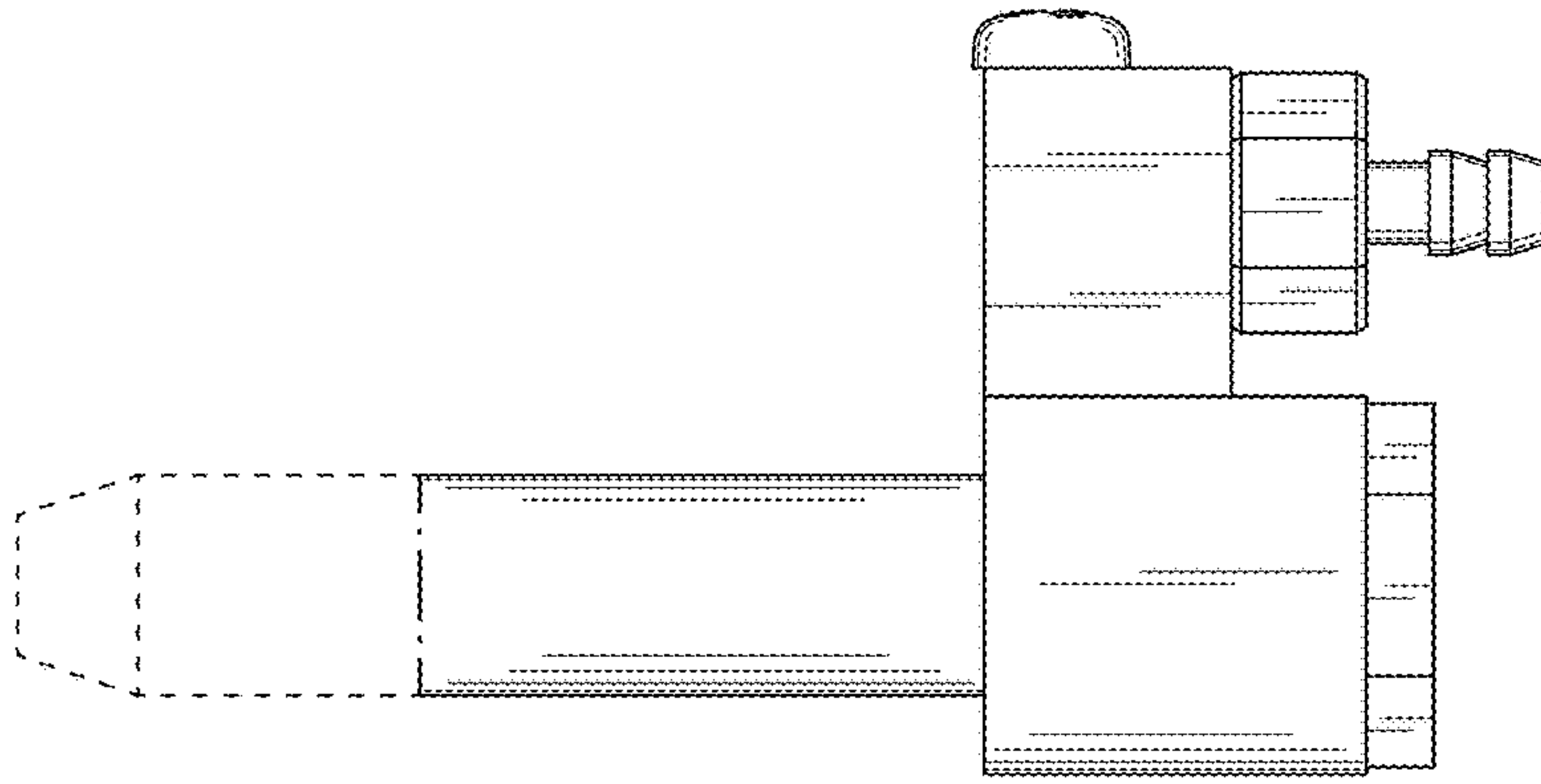


FIG. 2

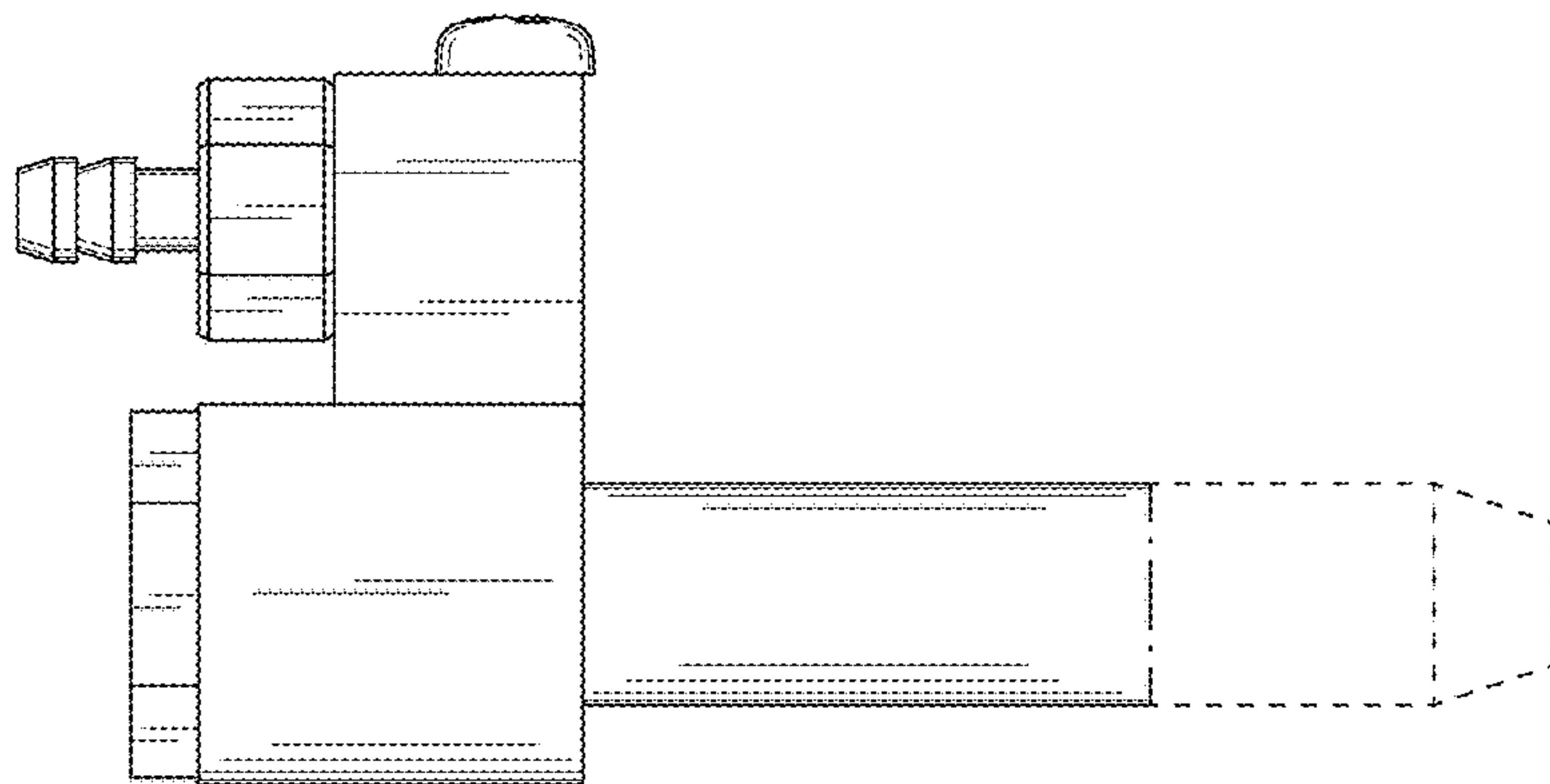


FIG. 3

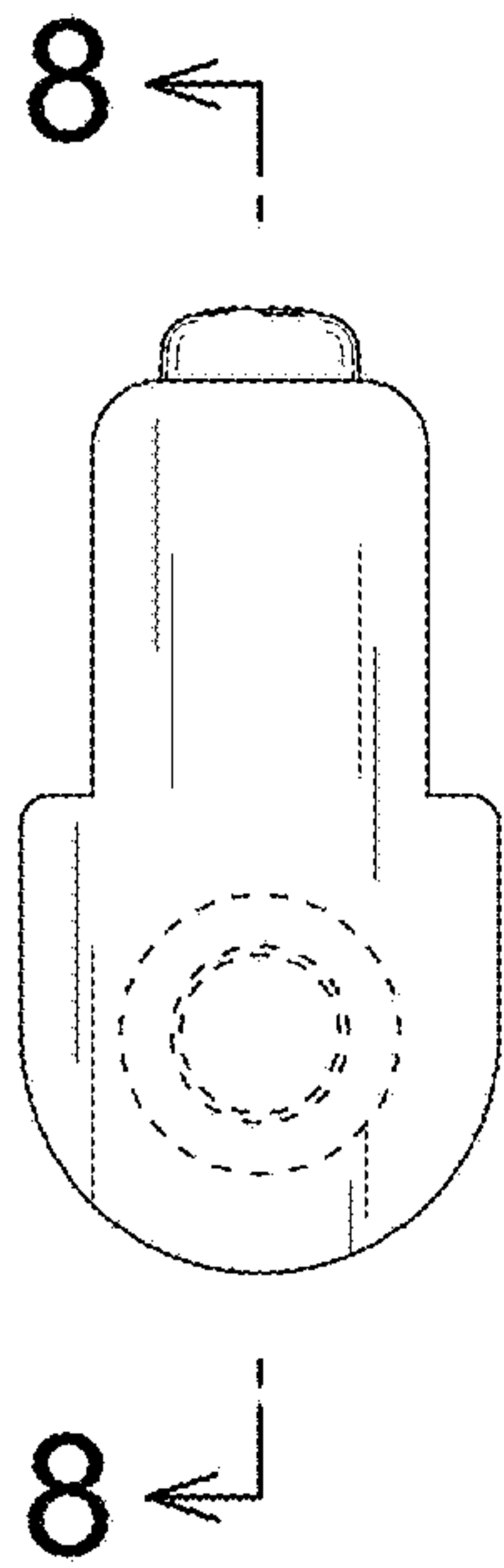


FIG.4

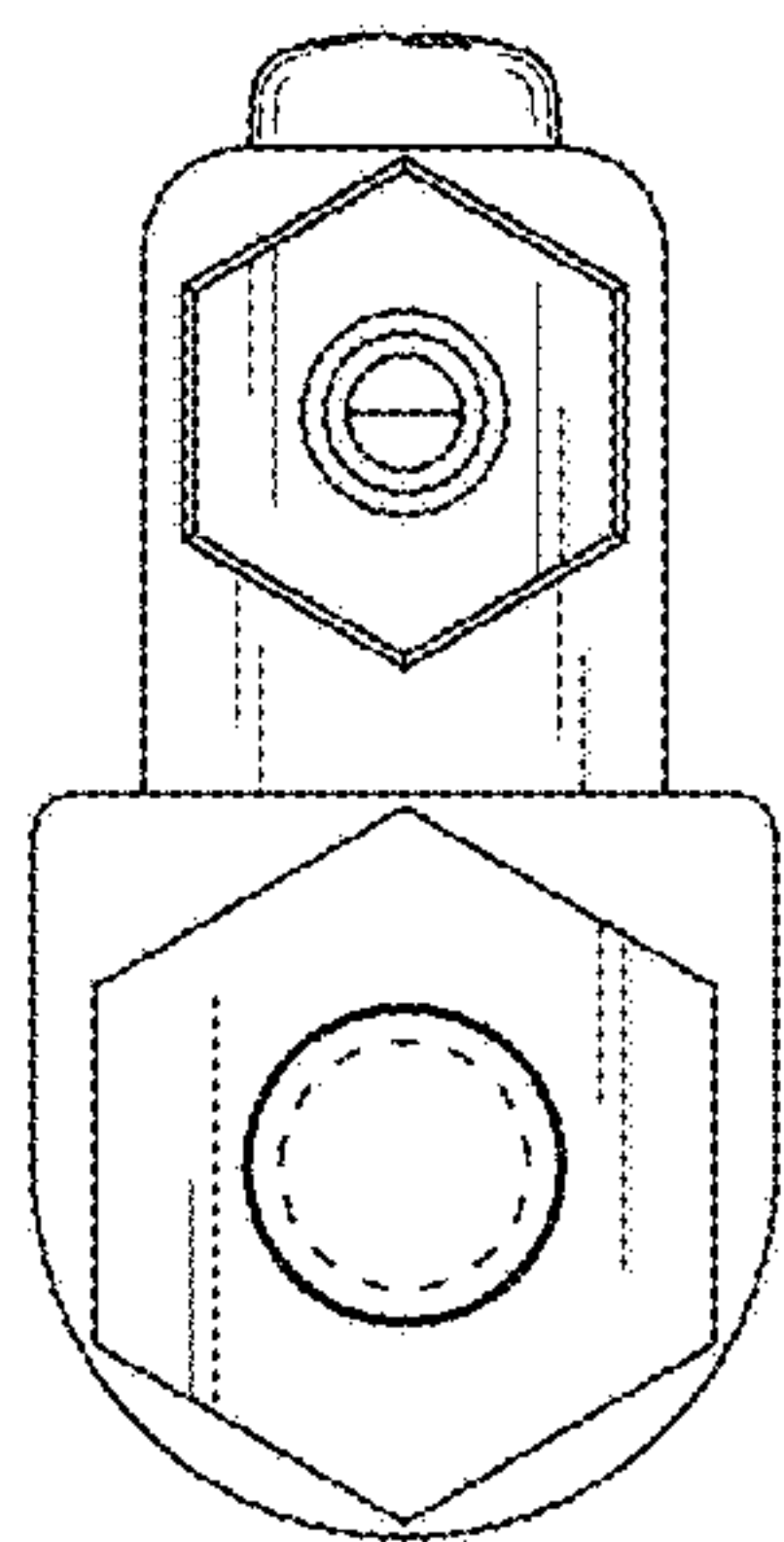


FIG.5

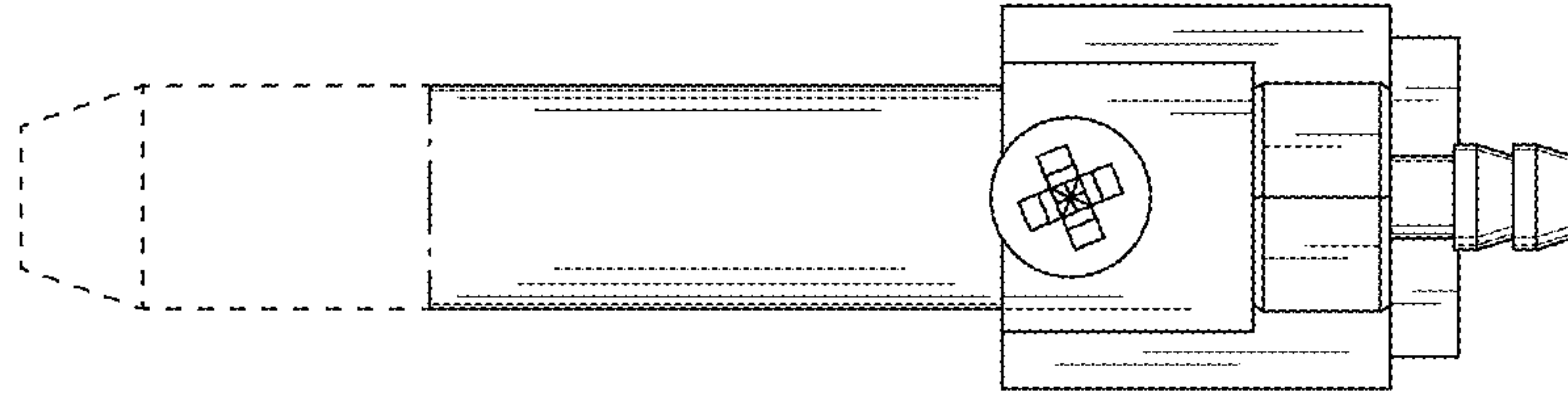


FIG.6

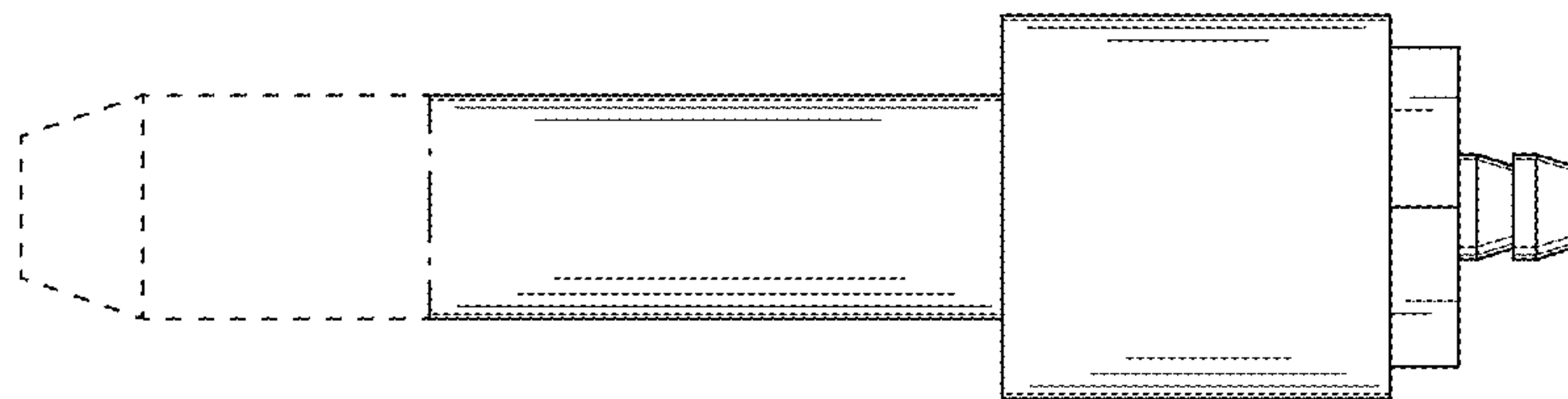


FIG.7

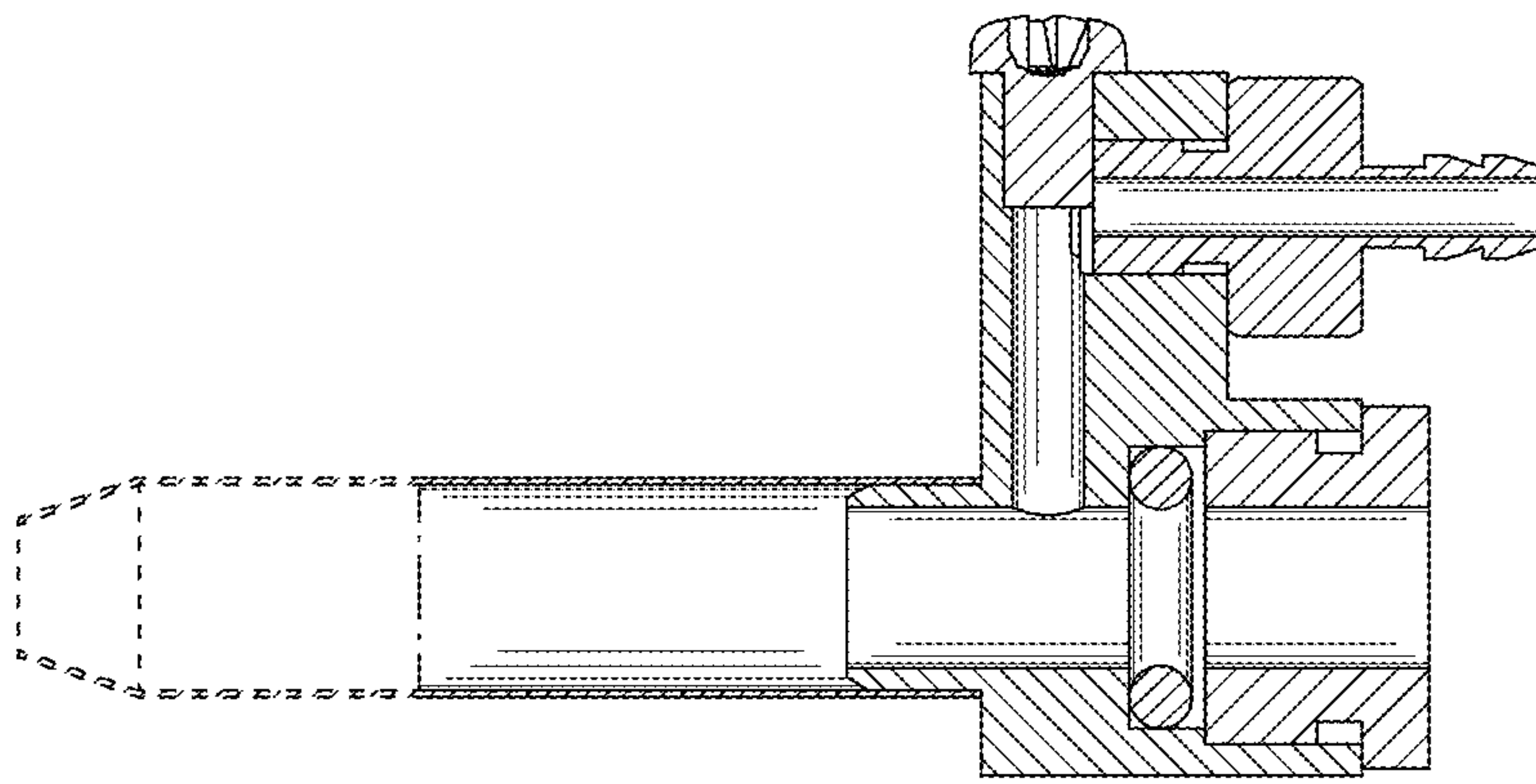


FIG.8