



US00D818506S

(12) **United States Design Patent** (10) **Patent No.:** **US D818,506 S**
Myers (45) **Date of Patent:** **** May 22, 2018**

- (54) **HOOD FOR DRUM SANDER**
 - (71) Applicant: **JPW Industries Inc.**, La Vergne, TN (US)
 - (72) Inventor: **Steven Myers**, Buffalo Valley, TN (US)
 - (73) Assignee: **JPW Industries Inc.**, LaVergne, TN (US)
 - (**) Term: **15 Years**
 - (21) Appl. No.: **29/608,768**
 - (22) Filed: **Jun. 26, 2017**
 - (51) **LOC (11) Cl.** **15-03**
 - (52) **U.S. Cl.**
USPC **D15/138**
 - (58) **Field of Classification Search**
USPC D15/3, 4, 5, 6, 28, 37, 138, 14, 17, 141
CPC F02F 7/0046; F02F 7/0026; F02F 7/0021;
F02F 7/0068; F02F 2007/0097; F02F 7/006
- See application file for complete search history.

- D788,824 S * 6/2017 Choi D15/5
- D795,317 S * 8/2017 Wenning D15/138
- D802,628 S * 11/2017 Fischetto D15/5
- 2009/0181606 A1 * 7/2009 Loveless B23Q 11/0046
451/456

* cited by examiner

Primary Examiner — Ian Simmons
Assistant Examiner — Khawaja Anwar
(74) *Attorney, Agent, or Firm* — Waller Lansden Dortch & Davis LLP; Blake M. Bernard

(57) **CLAIM**

The ornamental design of a hood for drum sander, as shown and described.

DESCRIPTION

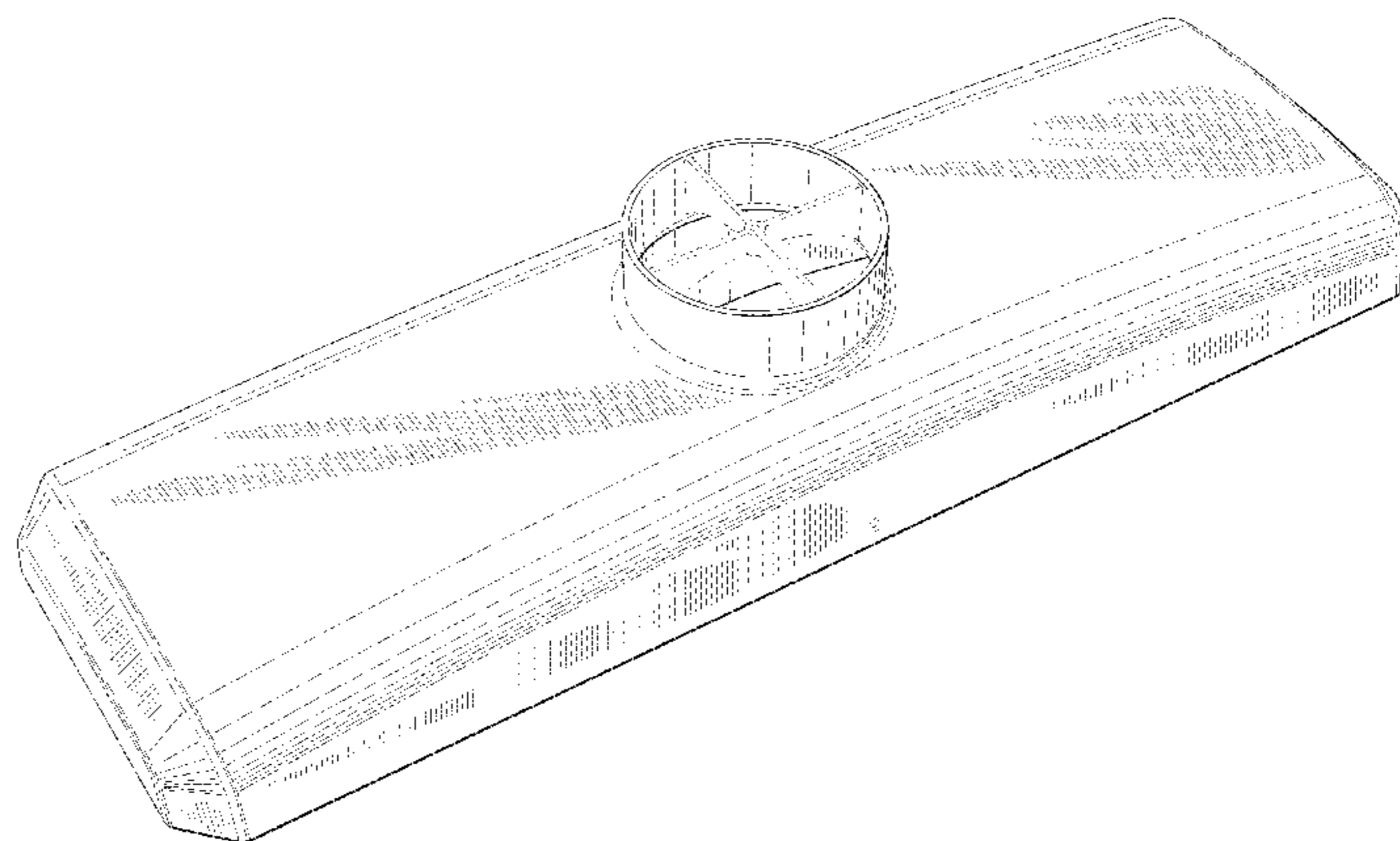
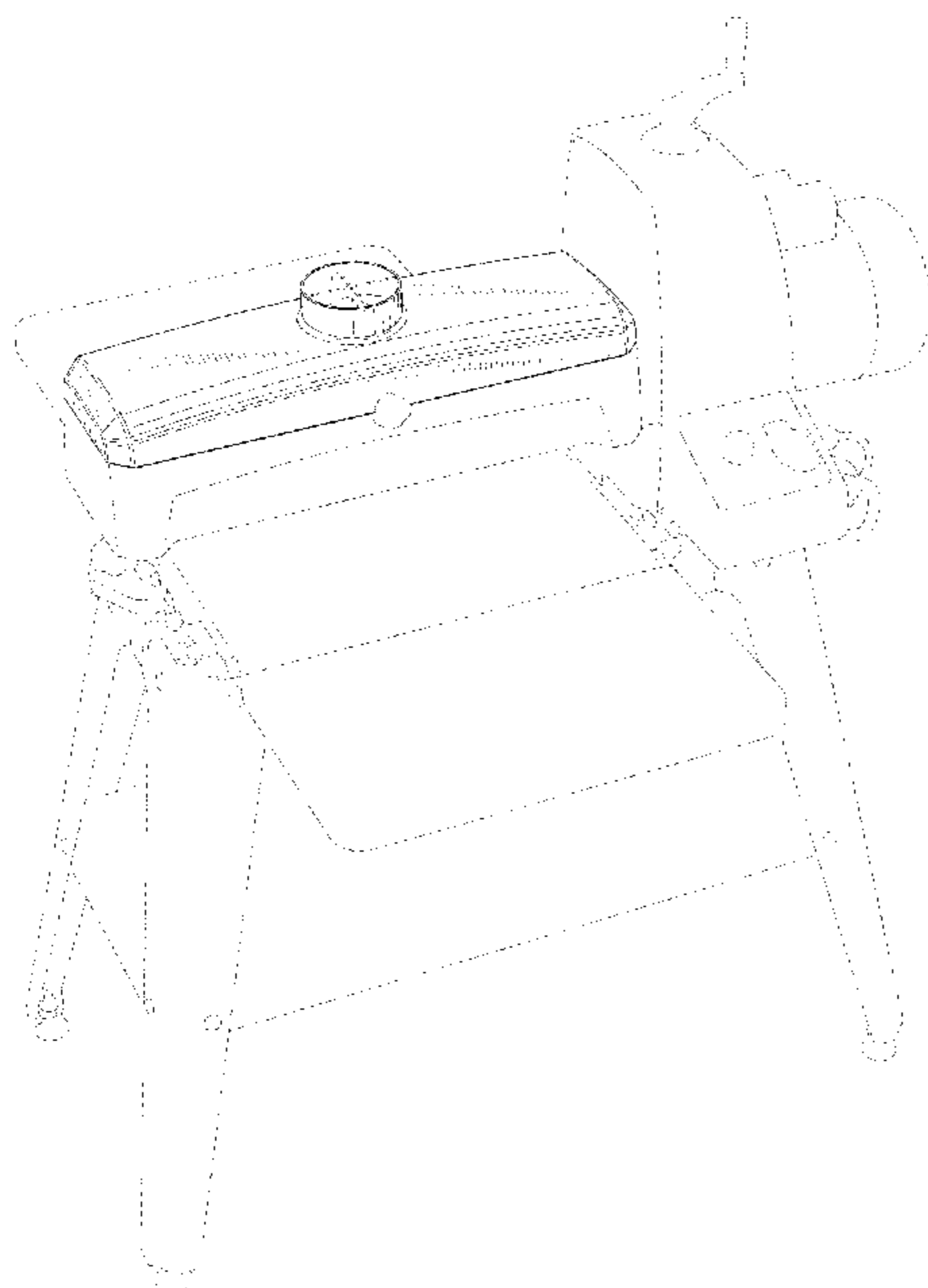
FIG. 1 is an environmental perspective view taken from the front, top, left-hand side of a hood for drum sander, showing the hood in use on a drum sander;
FIG. 2 is a perspective view taken from the front, top, left side of the hood for drum sander;
FIG. 3 is a perspective view taken from the front, bottom, left side thereof;
FIG. 4 is a front elevational view thereof;
FIG. 5 is a rear elevational view thereof;
FIG. 6 is a side elevational view from the left side thereof;
FIG. 7 is a side elevational view from the right side thereof;
FIG. 8 is a top plan view thereof; and,
FIG. 9 is a bottom plan view thereof.
In the drawings, the broken lines depict environmental elements and portions of the article that form no part of the claimed design.

1 Claim, 7 Drawing Sheets

(56) **References Cited**

U.S. PATENT DOCUMENTS

- D537,450 S * 2/2007 Fretwell D15/4
- D556,214 S * 11/2007 Fretwell D15/5
- D626,969 S * 11/2010 Gelardi D15/5
- D627,798 S * 11/2010 Berning D15/28
- D648,351 S * 11/2011 Michimura D15/5
- D653,676 S * 2/2012 Tomlinson D15/5
- D677,029 S * 2/2013 Cleary D32/31
- D697,943 S * 1/2014 Capko D15/5
- D709,099 S * 7/2014 Finnie D15/5
- D735,759 S * 8/2015 Chan D15/5
- D737,862 S * 9/2015 Finnican D15/5
- D750,137 S * 2/2016 Webber D15/5



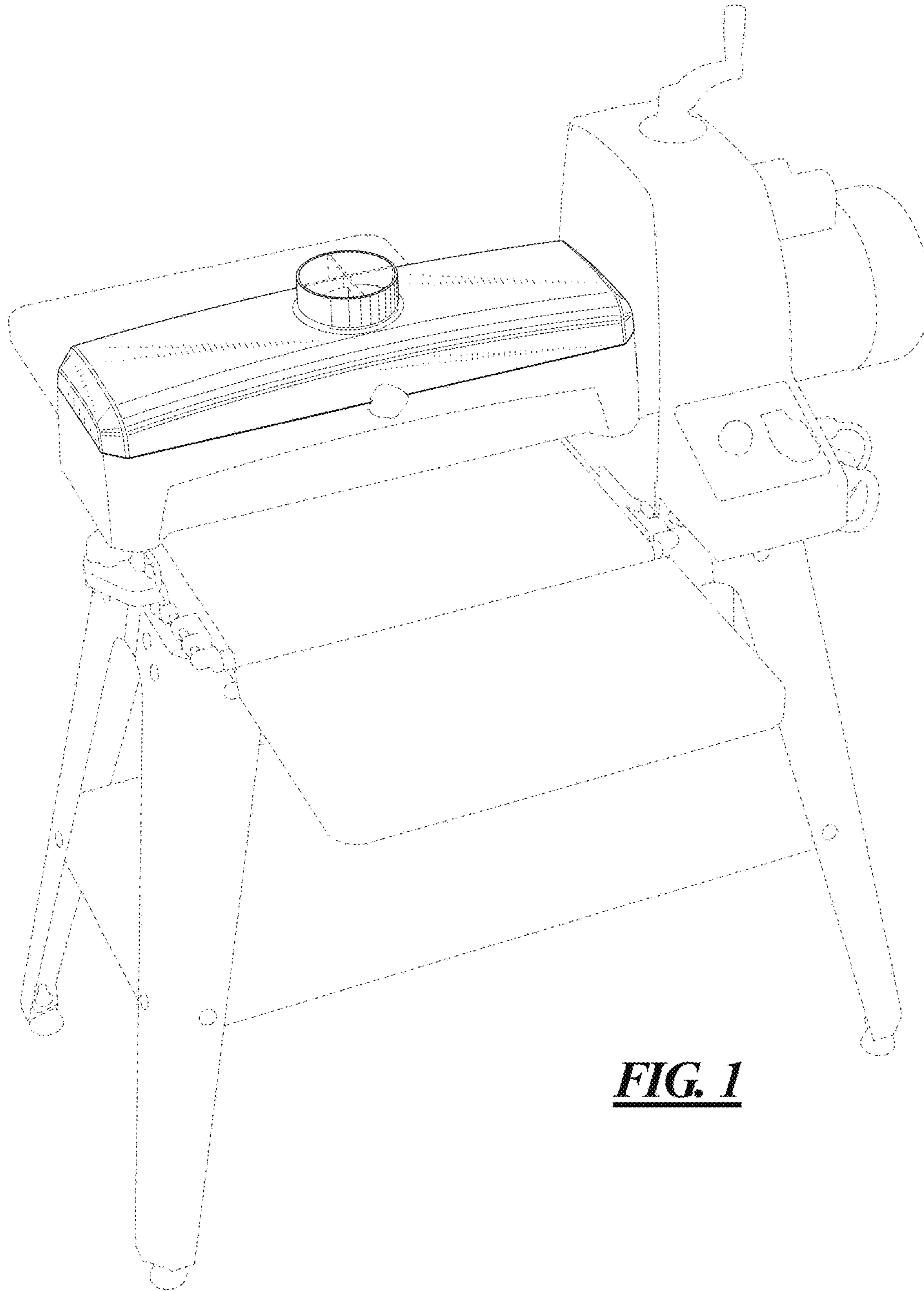


FIG. 1

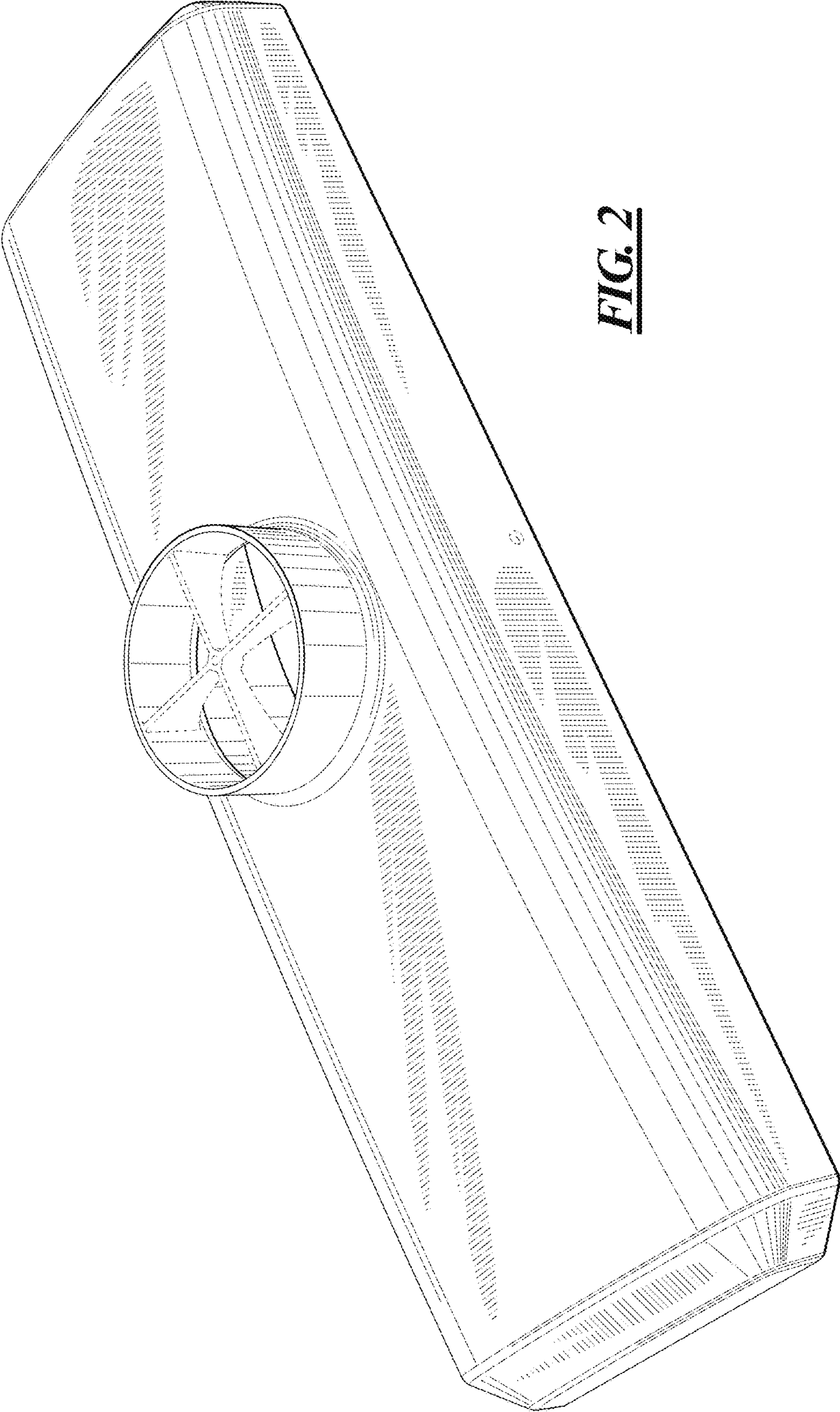


FIG. 2

FIG. 3

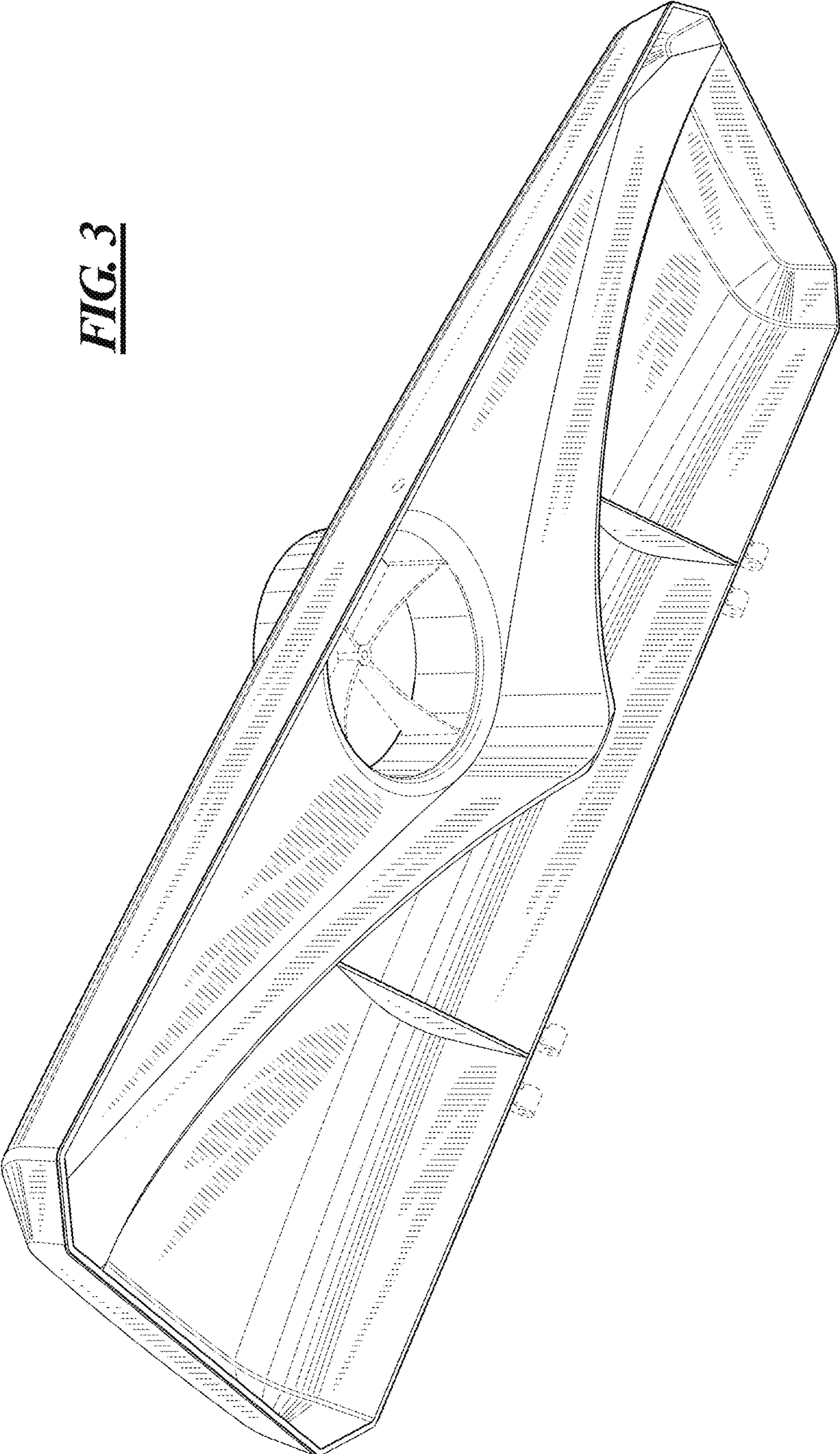


FIG. 4

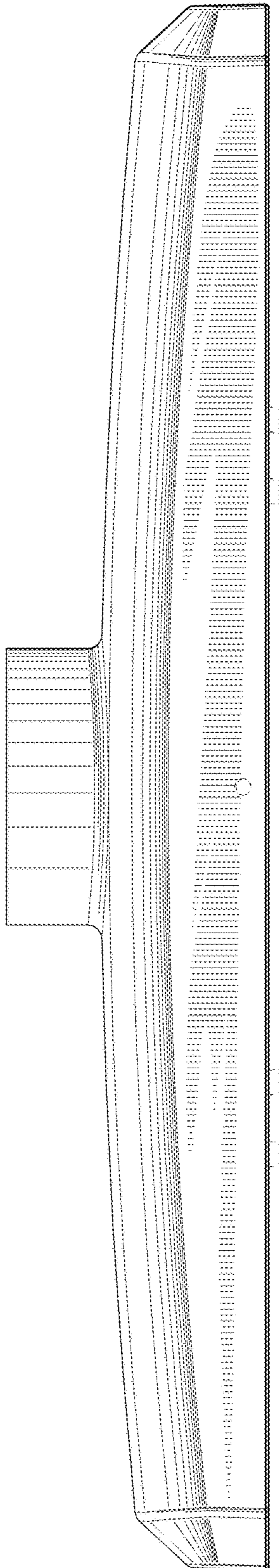


FIG. 5

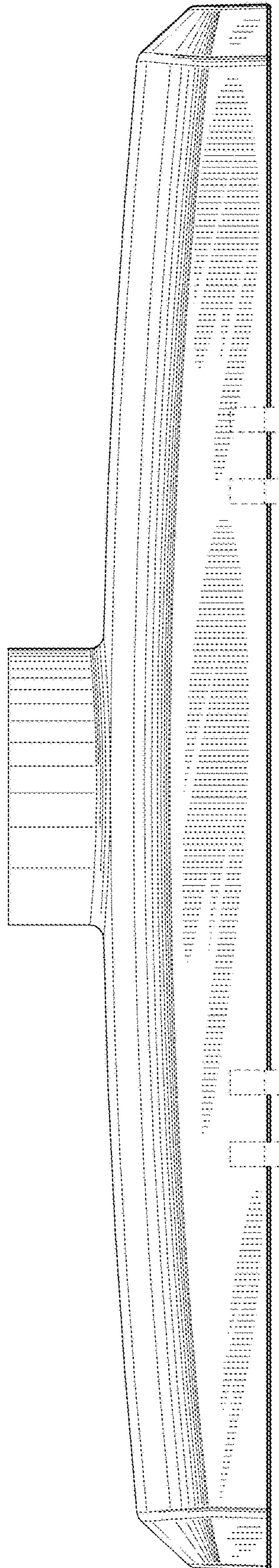


FIG. 7

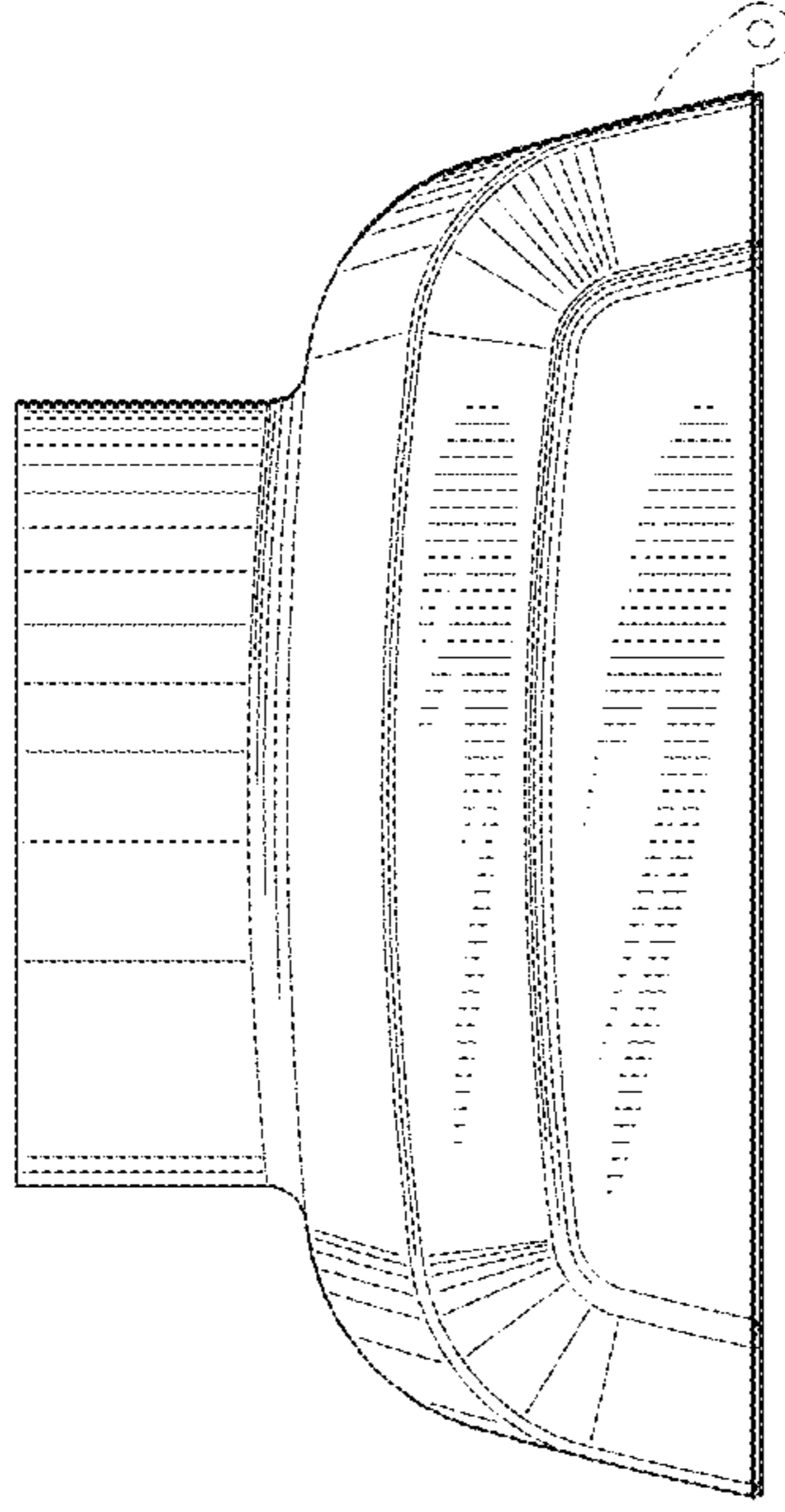


FIG. 6

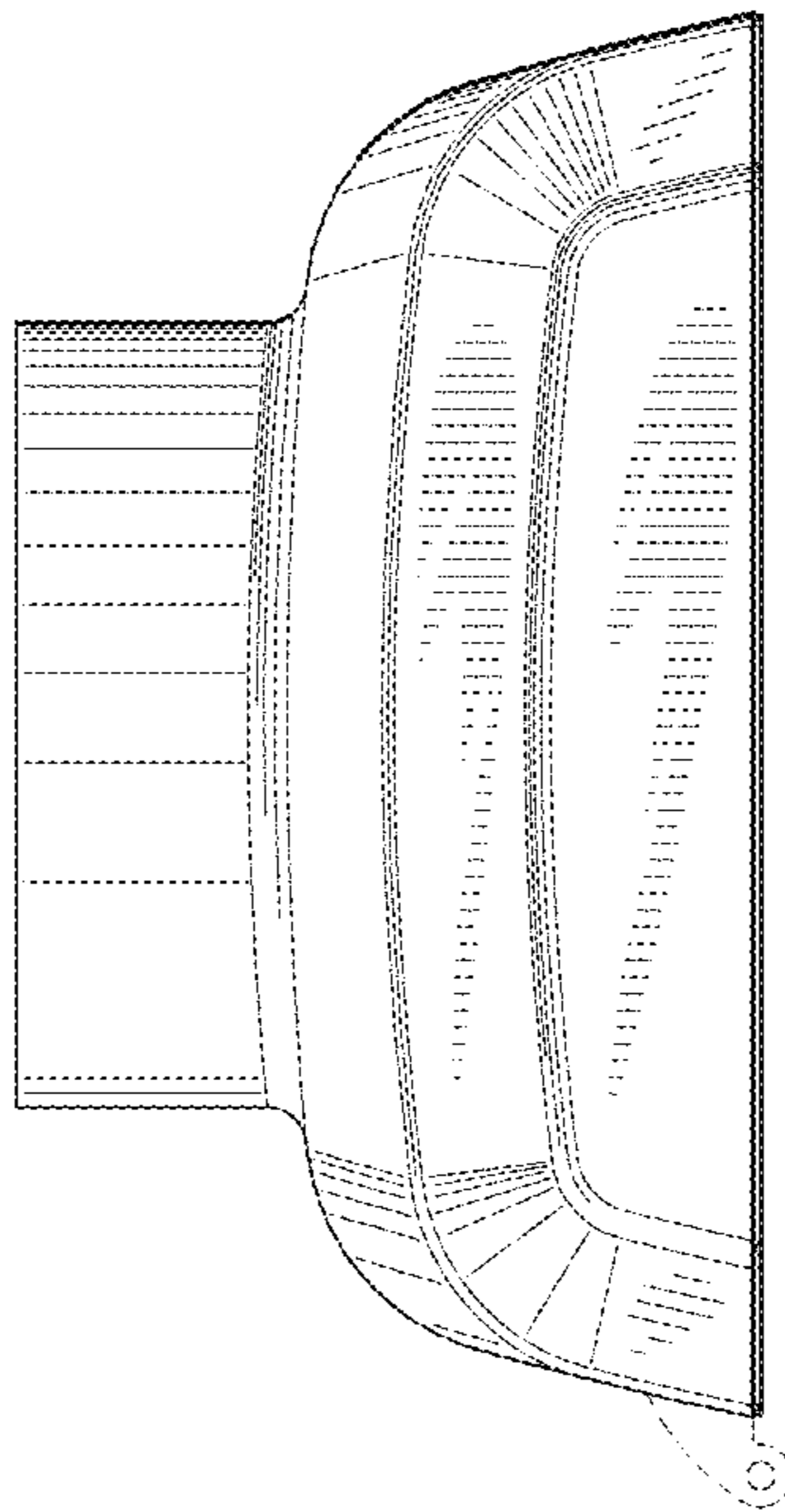


FIG. 8

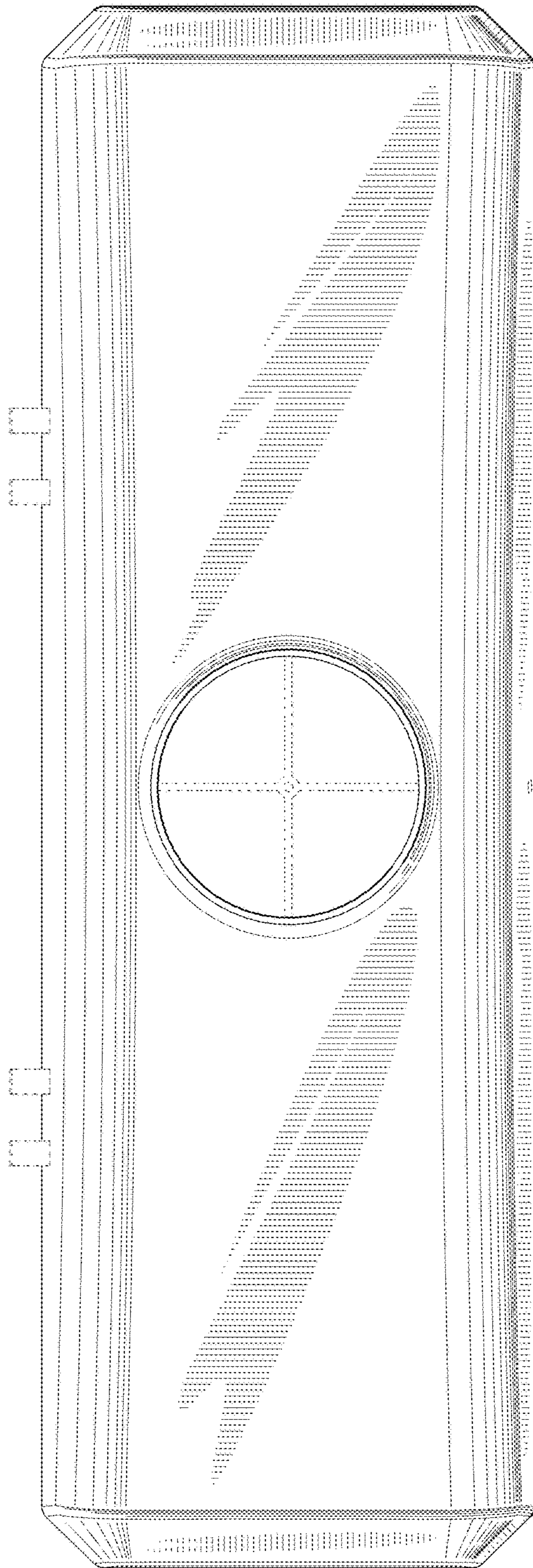


FIG. 9

