



US00D818504S

(12) **United States Design Patent** (10) **Patent No.:** **US D818,504 S**  
**Takeda et al.** (45) **Date of Patent:** **\*\* May 22, 2018**

(54) **CENTRIFUGAL PUMP UNIT**

(56) **References Cited**

(71) Applicant: **SAGINOMIYA SEISAKUSHO, INC.**,  
Tokyo (JP)

U.S. PATENT DOCUMENTS

(72) Inventors: **Tsuyoshi Takeda**, Sayama (JP); **Taiki Nakagawa**, Sayama (JP); **Shohei Ozeki**, Sayama (JP)

D484,146 S *	12/2003	Urano .....	D15/7
D520,023 S *	5/2006	Goto .....	D15/7
D520,024 S *	5/2006	Chen .....	D15/7
D534,548 S *	1/2007	Urano .....	D15/7
D602,500 S *	10/2009	Tokunaga .....	D15/7
D616,903 S *	6/2010	Kimura .....	D15/7
D763,321 S *	8/2016	Ostrosky .....	D15/7
D765,145 S	8/2016	Takeda et al.	
D765,146 S	8/2016	Takeda et al.	
D766,987 S	9/2016	Takeda et al.	

(73) Assignee: **SAGINOMIYA SEISAKUSHO, INC.**,  
Tokyo (JP)

(\*\*) Term: **15 Years**

\* cited by examiner

(21) Appl. No.: **29/602,465**

*Primary Examiner* — Ralf Seifert

(22) Filed: **May 1, 2017**

(74) *Attorney, Agent, or Firm* — Reising Ethington P.C.

(30) **Foreign Application Priority Data**

(57) **CLAIM**

Nov. 18, 2016 (JP) ..... 2016-025145

We claim the ornamental design of a centrifugal pump unit, as shown and described.

(51) **LOC (11) Cl.** ..... **15-02**

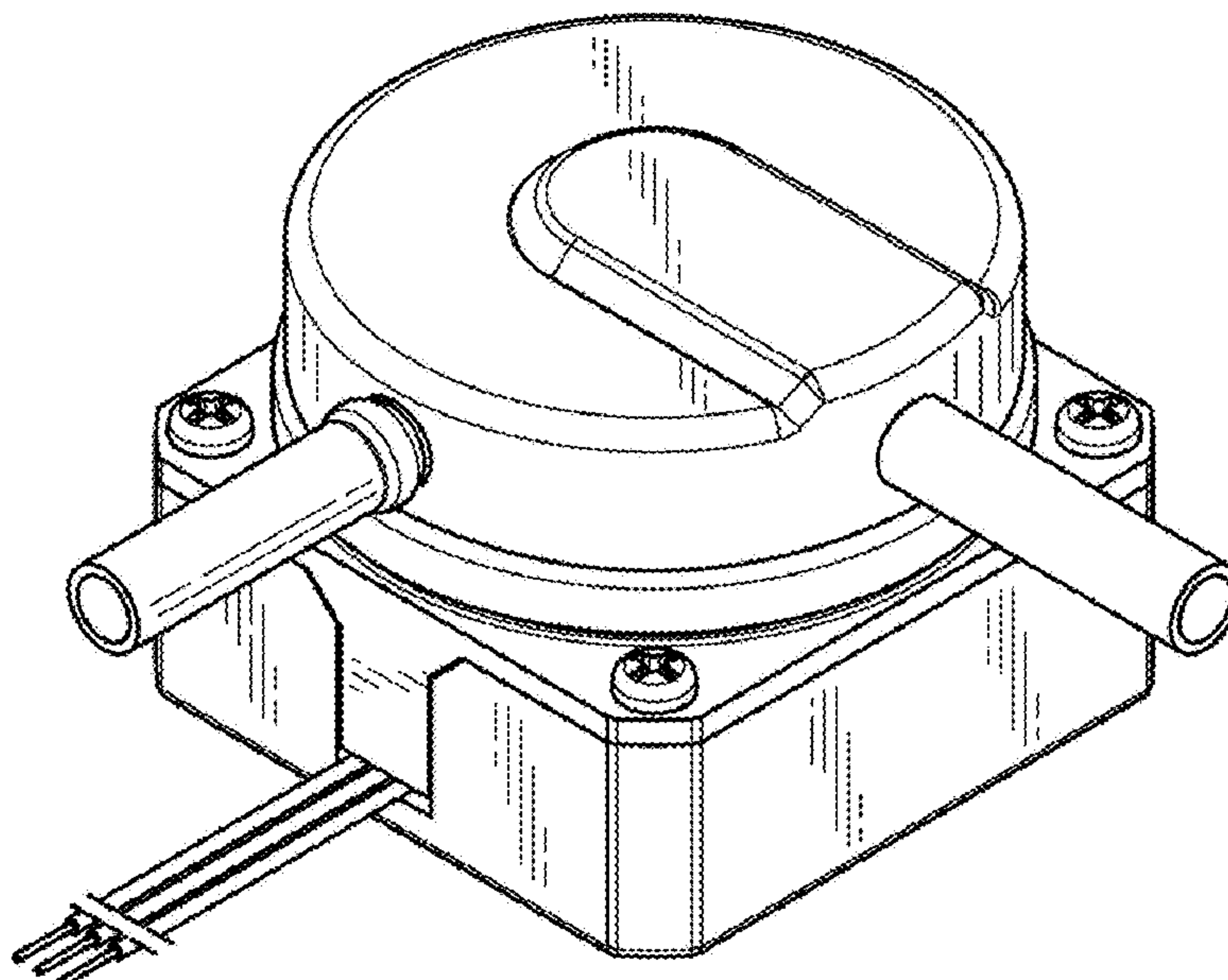
**DESCRIPTION**

(52) **U.S. Cl.**  
USPC ..... **D15/7**

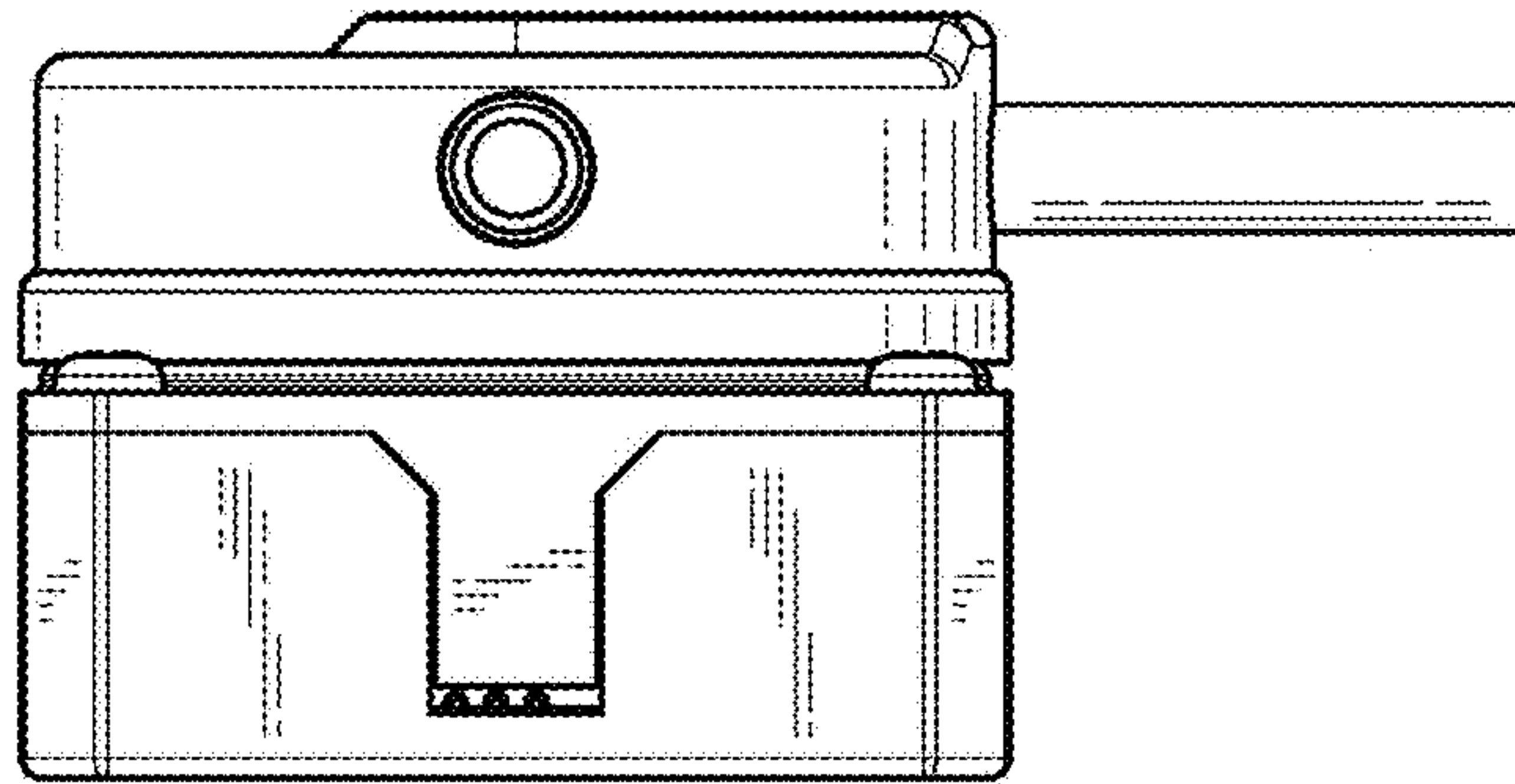
(58) **Field of Classification Search**  
USPC ..... D15/7-9; D23/231, 232, 225; 417/60,  
417/235, 265, 321, 355, 358, 363, 359,  
417/410.1, 415-416, 405, 900, 423.7;  
60/408, 412; 184/26-37; 415/140-147;  
123/495, 509; 137/565.34  
CPC ..... F02M 37/04; F02M 37/14  
See application file for complete search history.

FIG. 1 is a front view of a centrifugal pump unit;  
FIG. 2 is a rear view of the unit;  
FIG. 3 is a right side view of the unit;  
FIG. 4 is a left side view of the unit;  
FIG. 5 is a plan view of the unit;  
FIG. 6 is a bottom view of the unit;  
FIG. 7 is a perspective top view of the unit when viewed front and right side; and,  
FIG. 8 is a perspective bottom view of the unit when viewed front and left side.

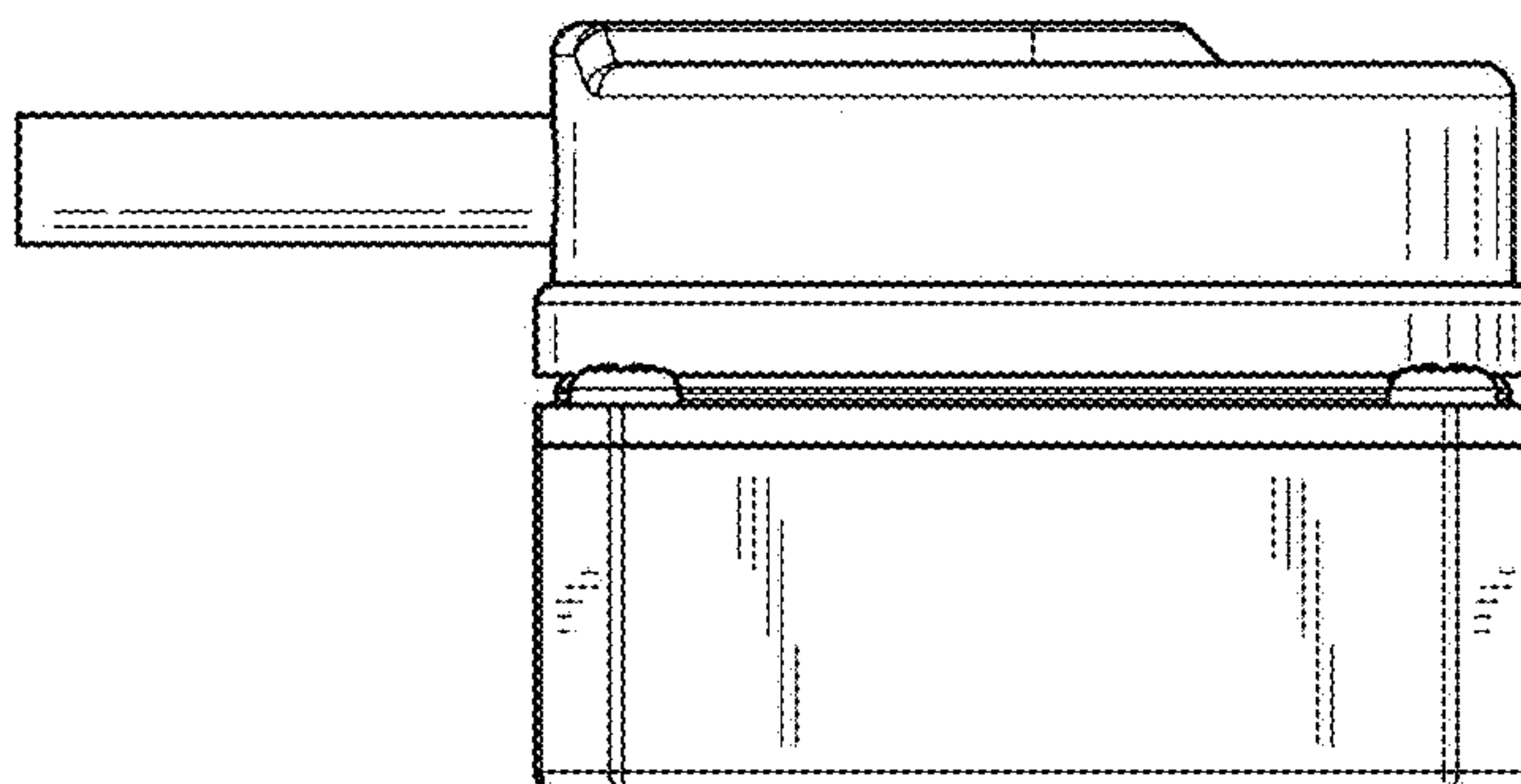
**1 Claim, 4 Drawing Sheets**



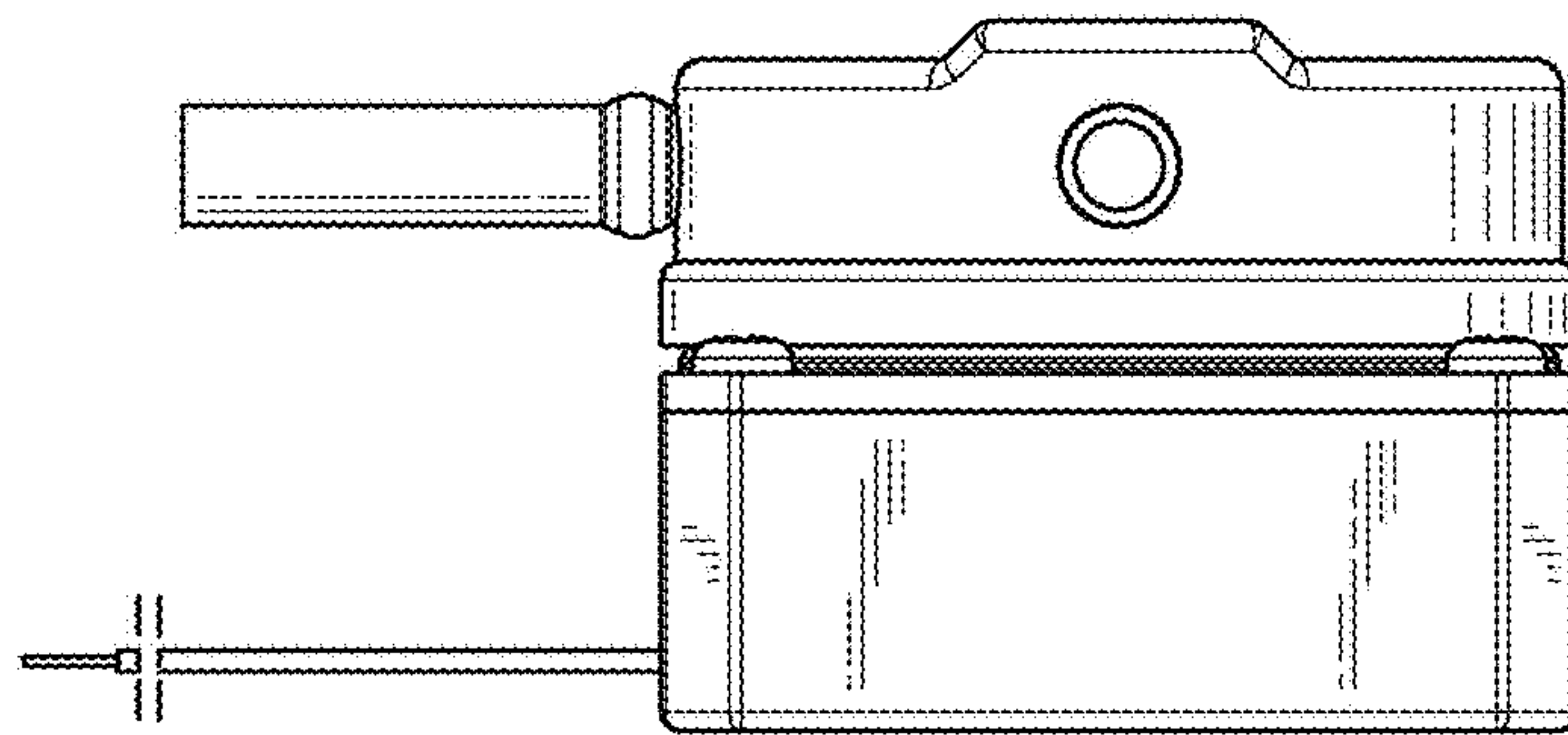
*FIG. 1*



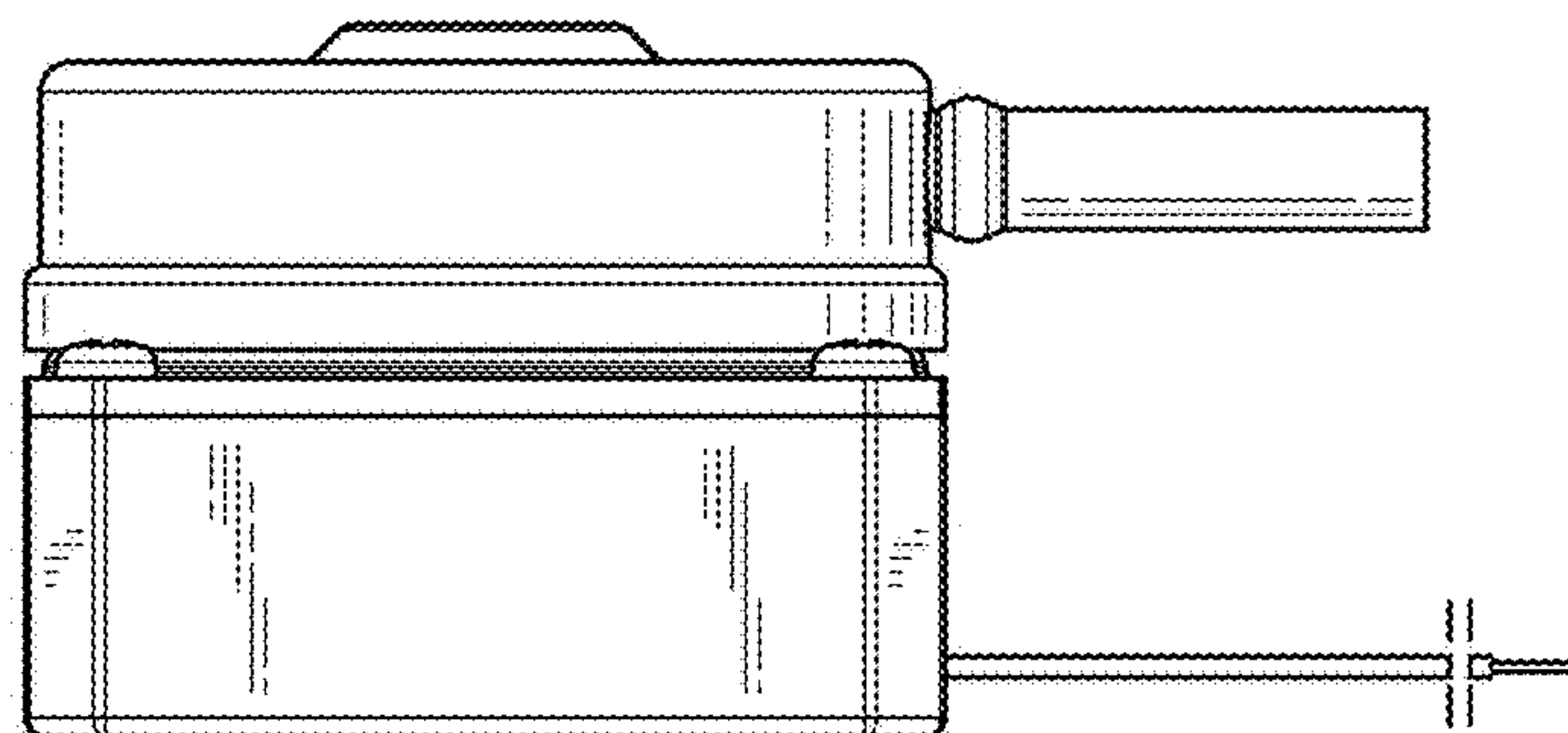
*FIG. 2*



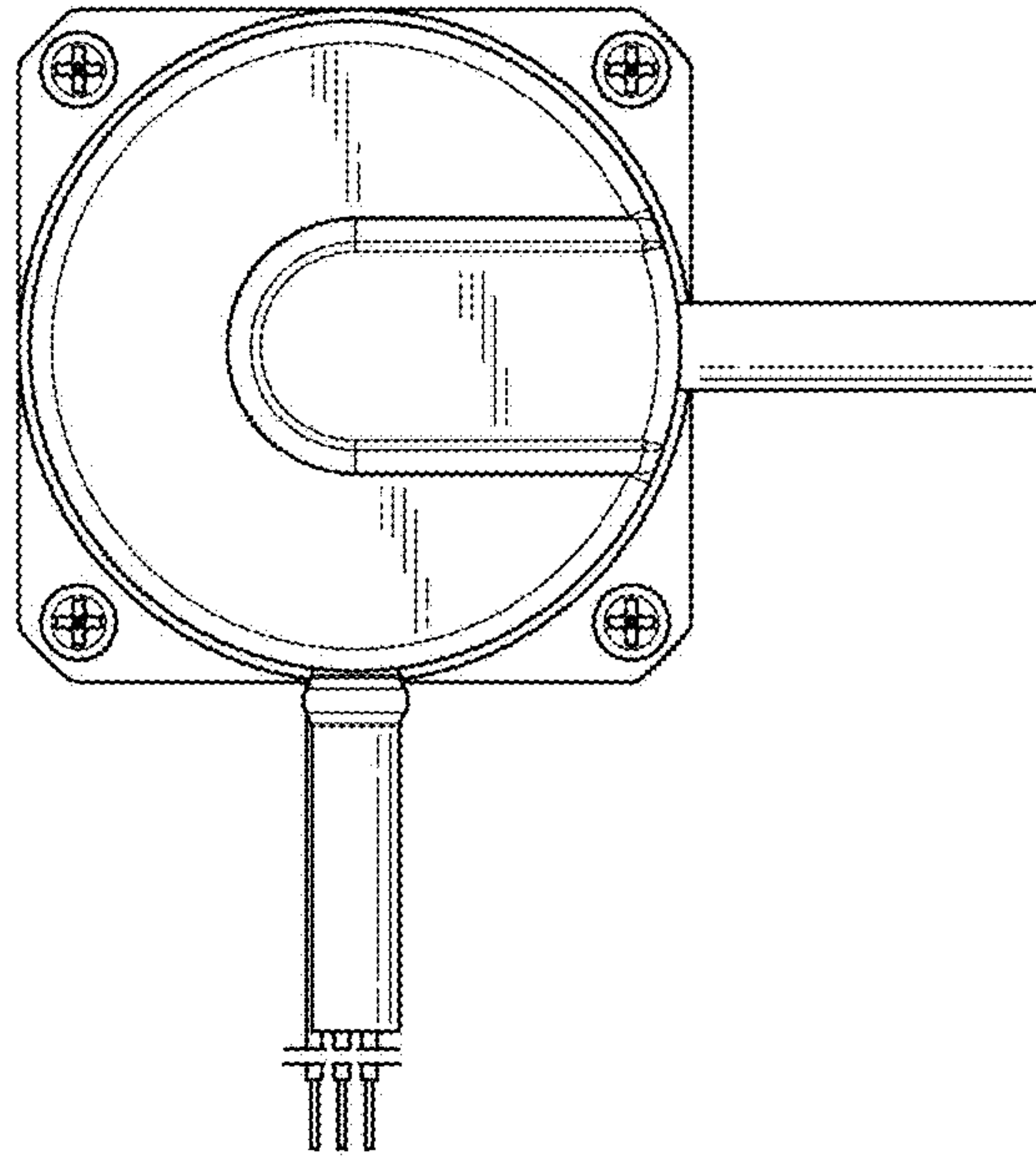
***FIG. 3***



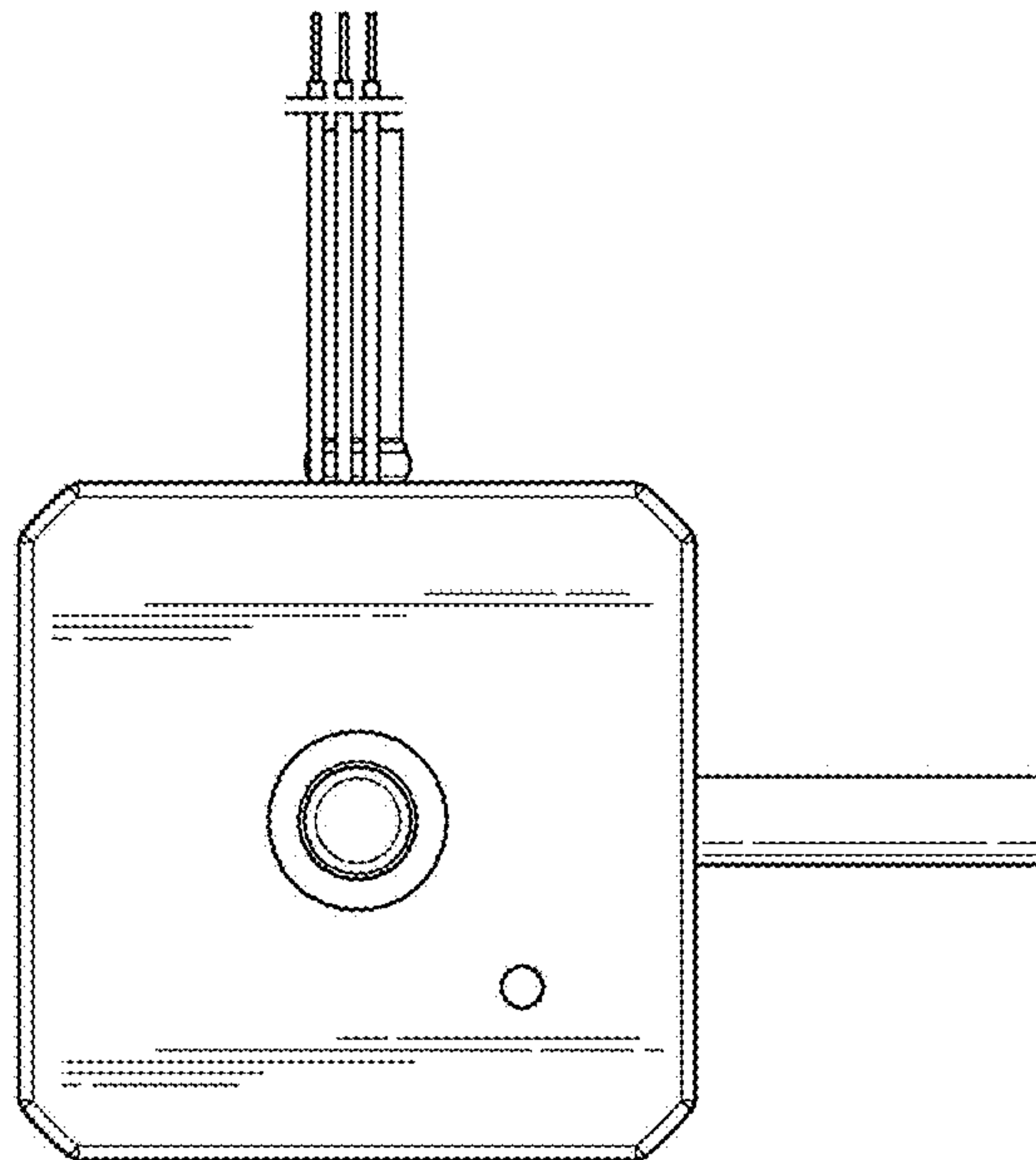
***FIG. 4***



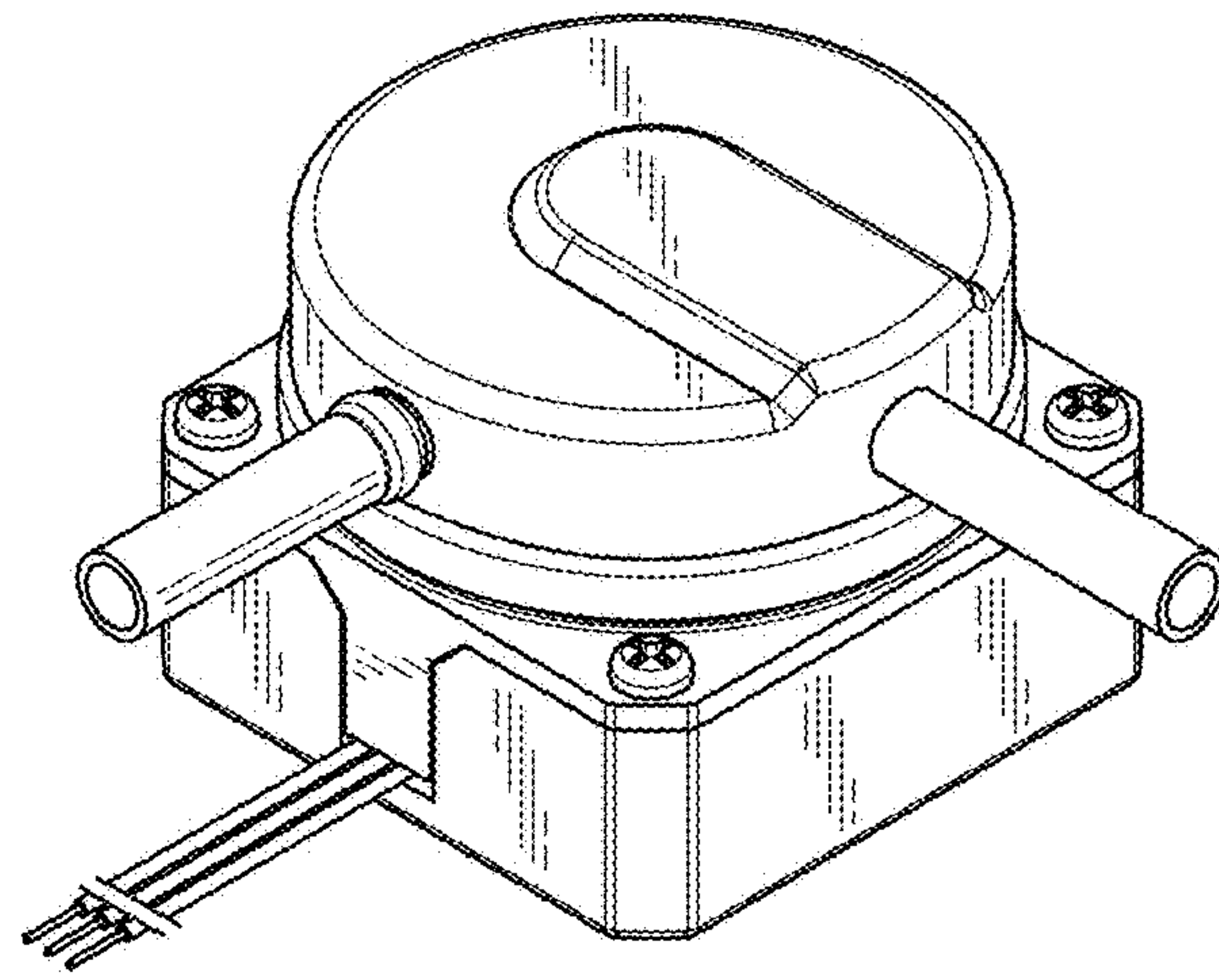
***FIG. 5***



***FIG. 6***



**FIG. 7**



**FIG. 8**

