



US00D818502S

(12) **United States Design Patent** (10) **Patent No.:** **US D818,502 S**
Chikmangalore Manjunath et al. (45) **Date of Patent:** **** May 22, 2018**

(54) **TURBOCHARGER TRANSITION SECTION**

(56) **References Cited**

(71) Applicant: **General Electric Company,**
Schenectady, NY (US)

U.S. PATENT DOCUMENTS

(72) Inventors: **Harsha Vardhana Chikmangalore Manjunath,** Bangalore (IN); **Andrew Theogift Jeyanth Selwyn Victor,** Bangalore (IN); **Suresha Kumar Panambur,** Bangalore (IN); **Paulraj Ramasamy,** Bangalore (IN); **Ravikanth Bendarapu,** Bangalore (IN); **Ramprasad Maruti Shetti,** Bangalore (IN)

2,526,281	A *	10/1950	Ryan	F01D 9/023
					138/111
6,226,978	B1 *	5/2001	Chandra	C23C 28/325
					60/805
2008/0127492	A1 *	6/2008	Smith	B23K 37/0426
					29/888.011
2014/0271155	A1 *	9/2014	Smith	F01D 9/065
					415/182.1
2016/0076437	A1 *	3/2016	Tiwari	F02B 37/02
					60/605.1

(73) Assignee: **General Electric Company,**
Schenectady, NY (US)

* cited by examiner

(**) Term: **15 Years**

Primary Examiner — T. Chase Nelson

Assistant Examiner — Ania Aman

(21) Appl. No.: **29/548,899**

(74) *Attorney, Agent, or Firm* — GE Global Patent Operation; John A. Kramer

(22) Filed: **Dec. 17, 2015**

(57) **CLAIM**

The ornamental design for a turbocharger transition section, as shown and described.

(51) **LOC (11) Cl.** **15-01**

(52) **U.S. Cl.**
USPC **D15/5**

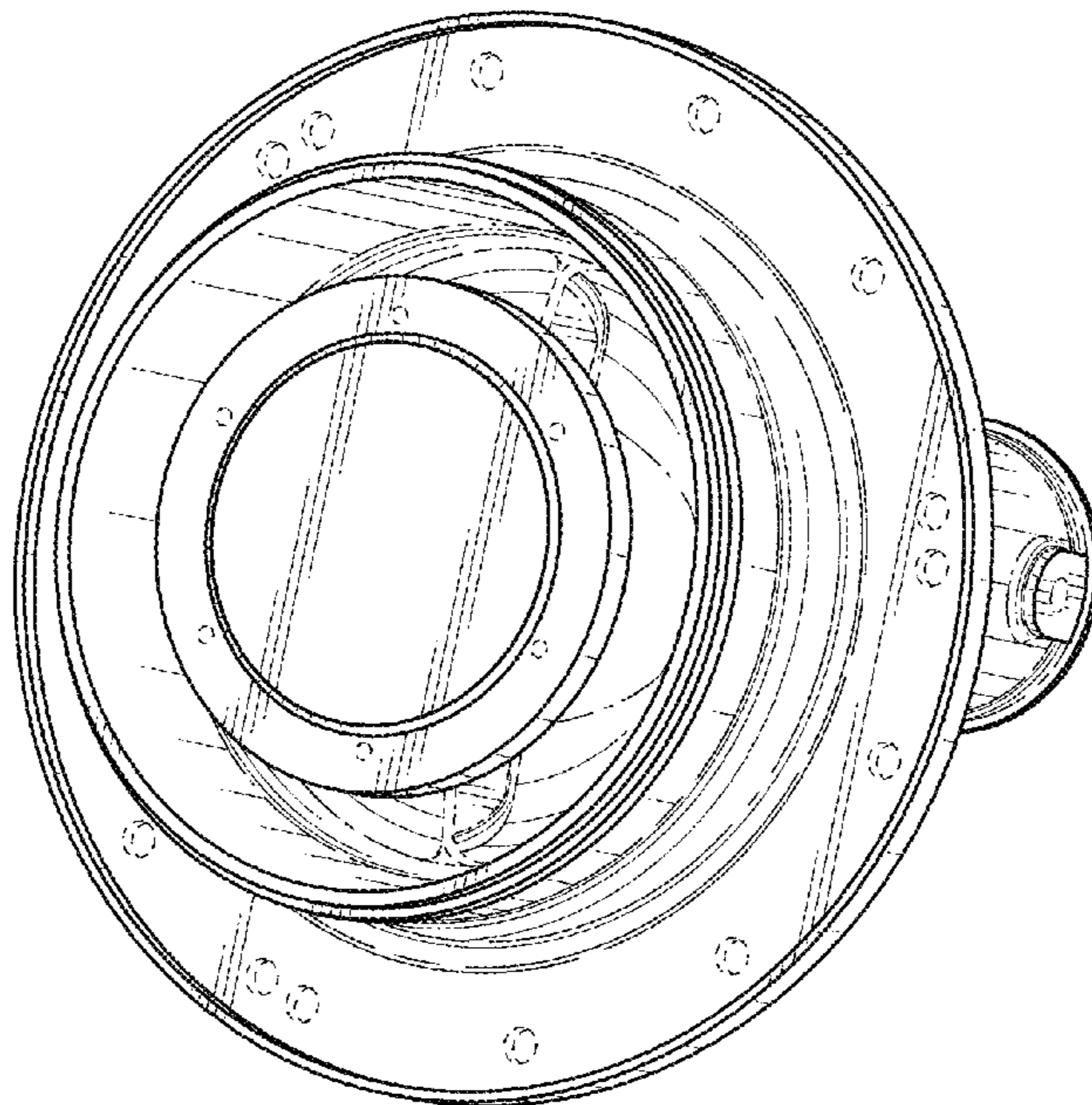
(58) **Field of Classification Search**
USPC D15/5; D23/233–250
CPC F02B 37/002; F02B 37/00; F02B 37/007;
F01D 25/24; F01D 9/065; F01D 9/023;
F01D 9/048; F01D 9/06; F01D 25/26;
F02C 6/12; F23R 3/002; F23R 3/60;
F05D 2220/31; F05D 2220/51; F05D
2220/61; F05D 2240/14

DESCRIPTION

FIG. 1 is a perspective view of a turbocharger transition section depicting our new design;
FIG. 2 is a front view thereof;
FIG. 3 is a rear view thereof;
FIG. 4 is a side view thereof;
FIG. 5 is a top plan view thereof;
FIG. 6 is a bottom plan view thereof; and,
FIG. 7 is an additional perspective view thereof.
The broken line portion of the figures is included to show unclaimed subject matter only and forms no part of the claimed designs.

See application file for complete search history.

1 Claim, 4 Drawing Sheets



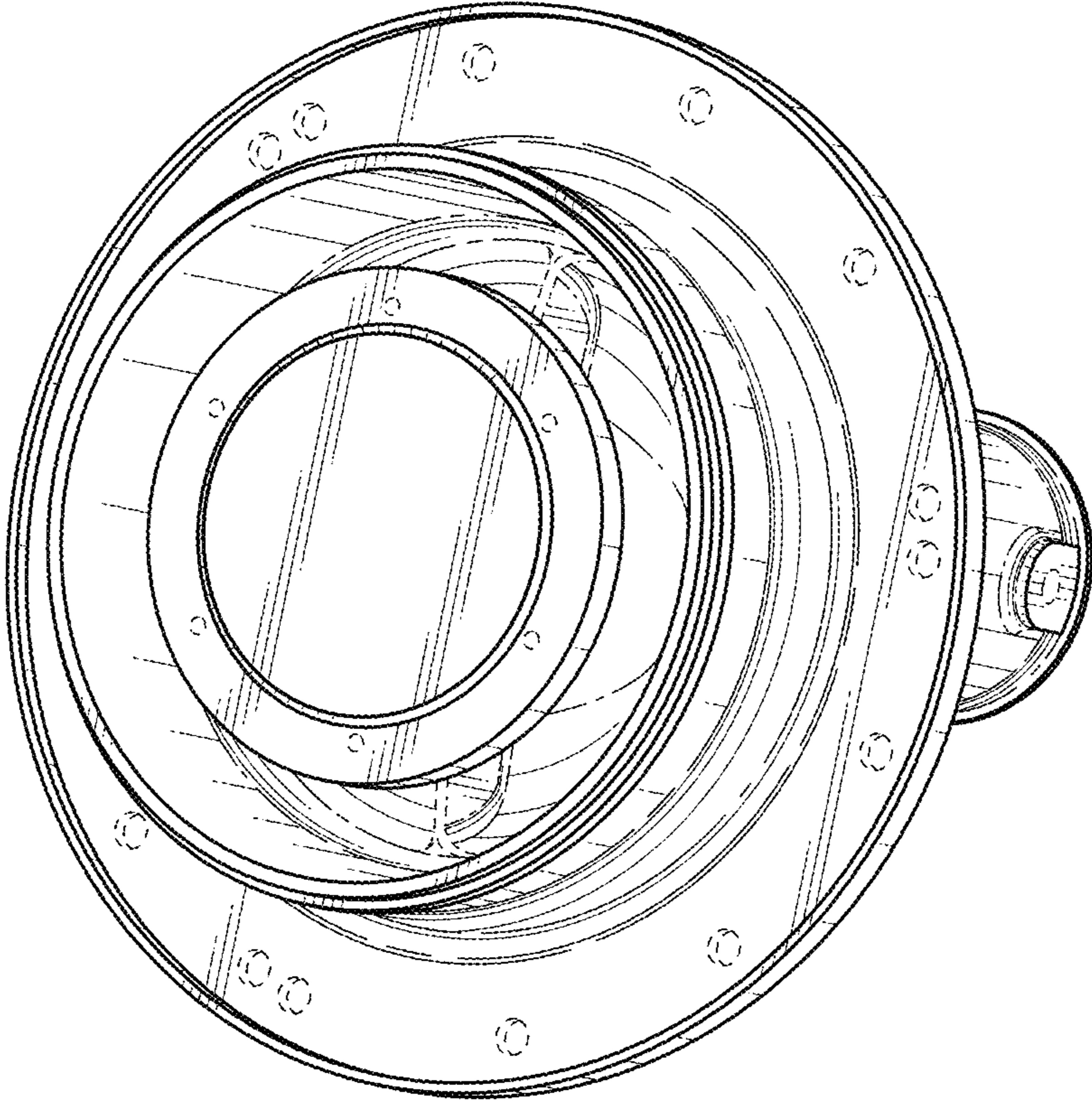


FIG. 1

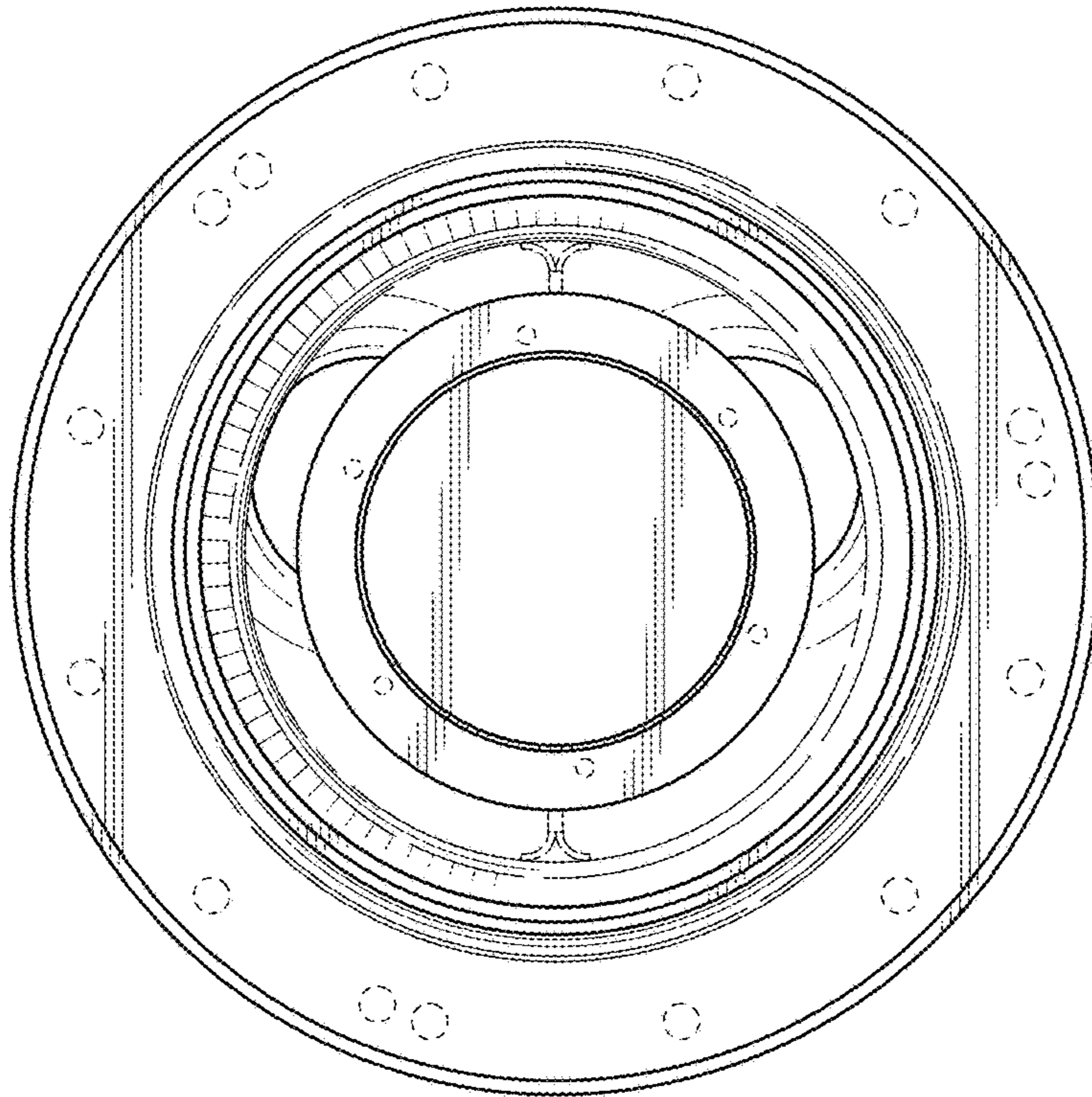


FIG. 2

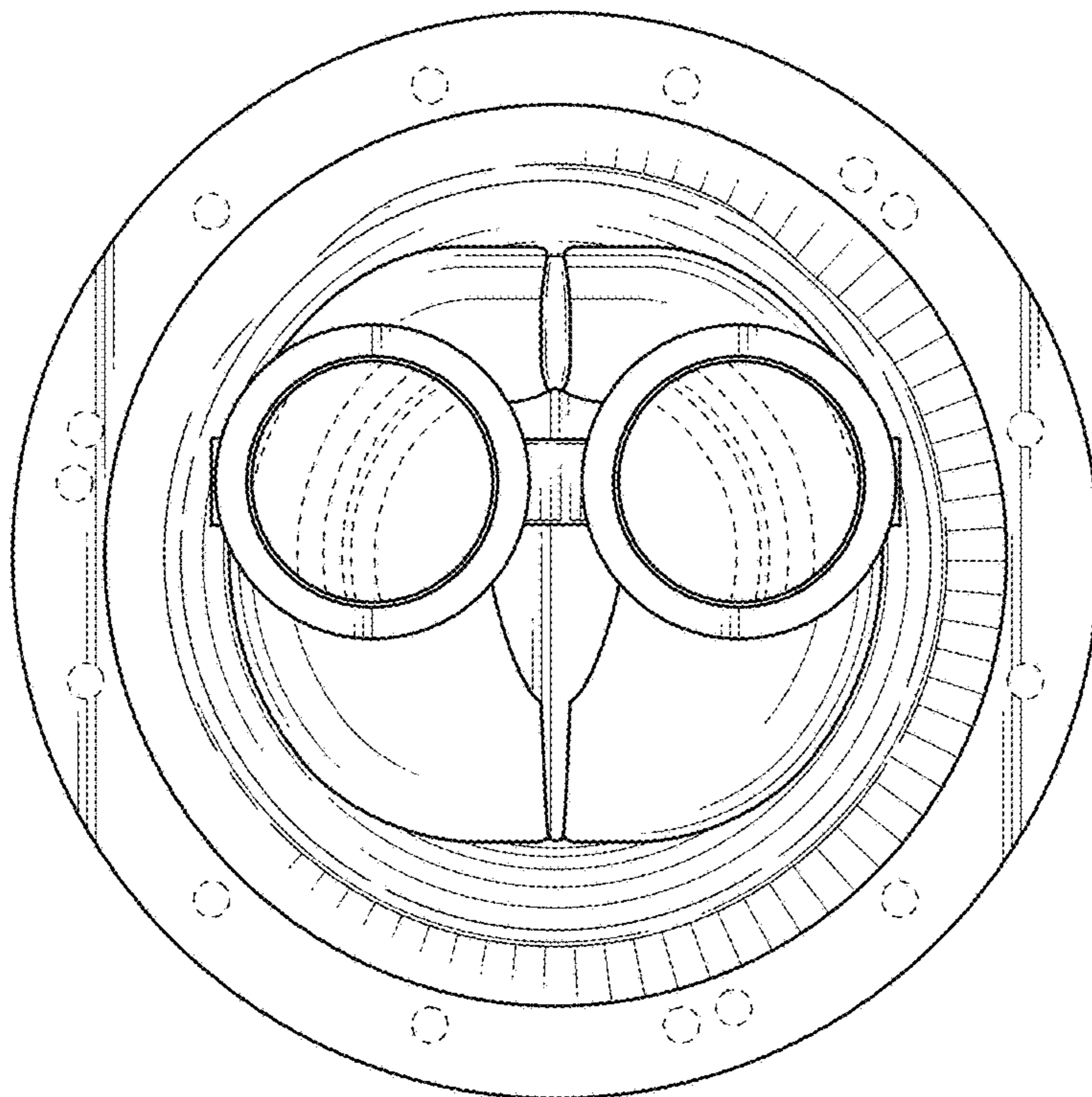


FIG. 3

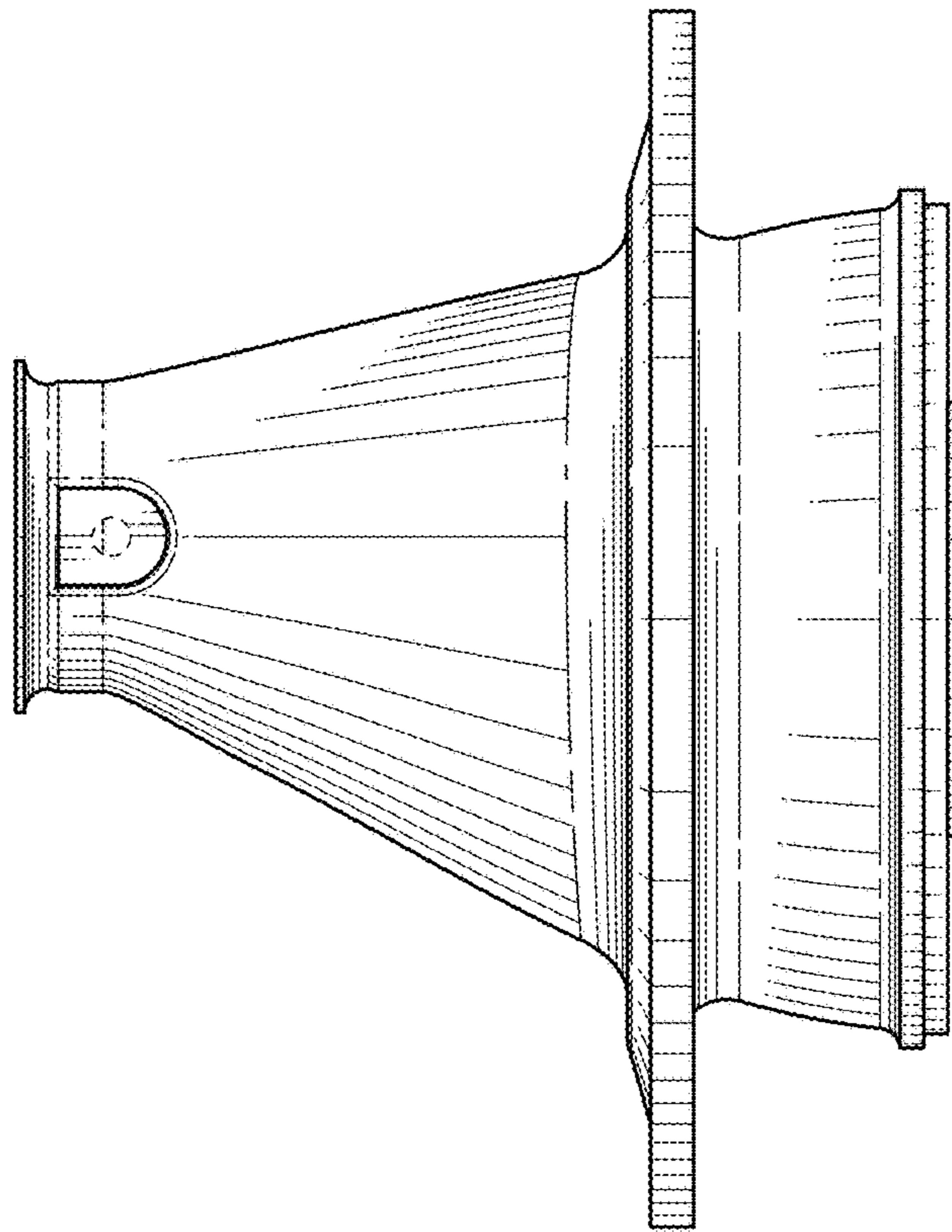


FIG. 4

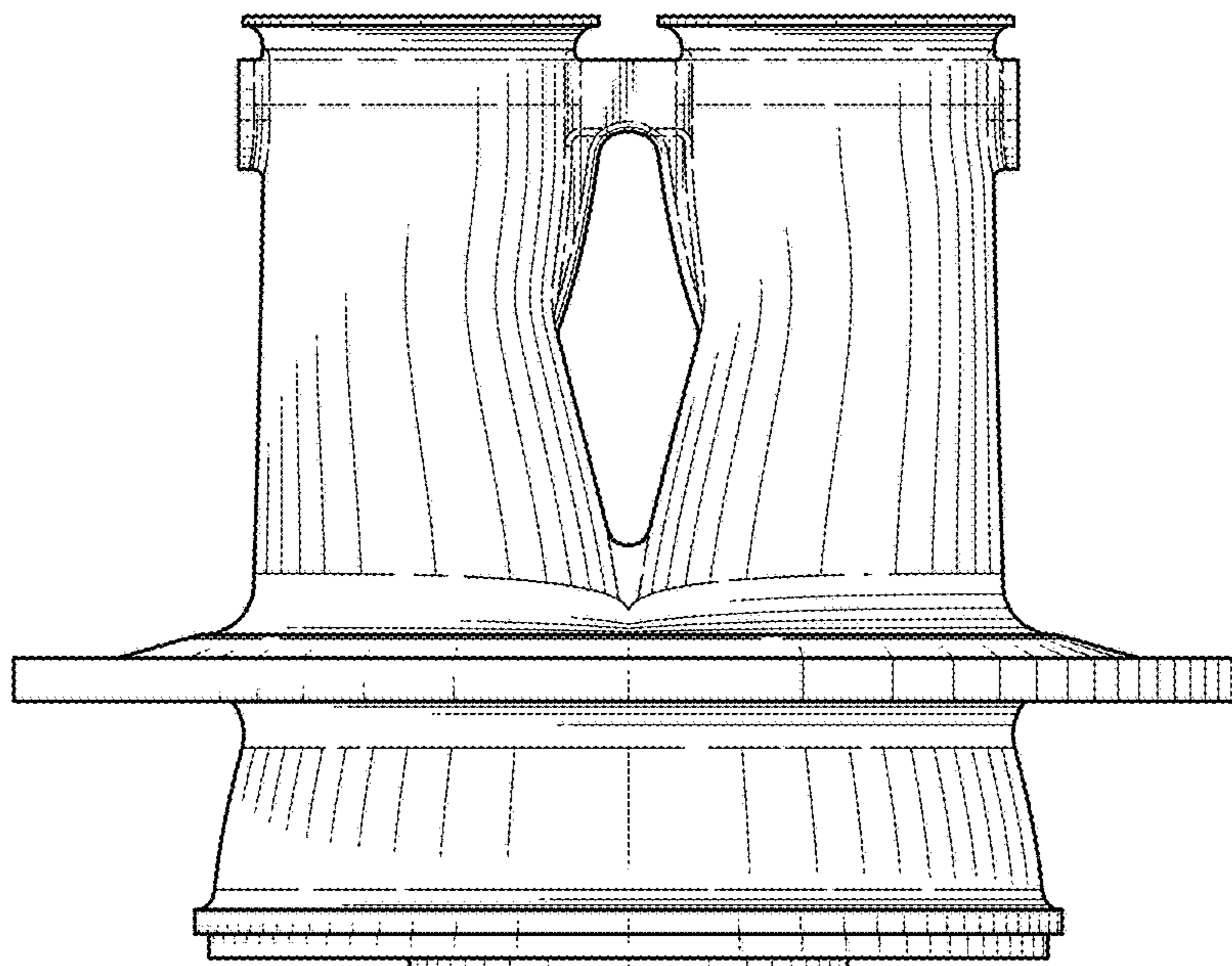


FIG. 5

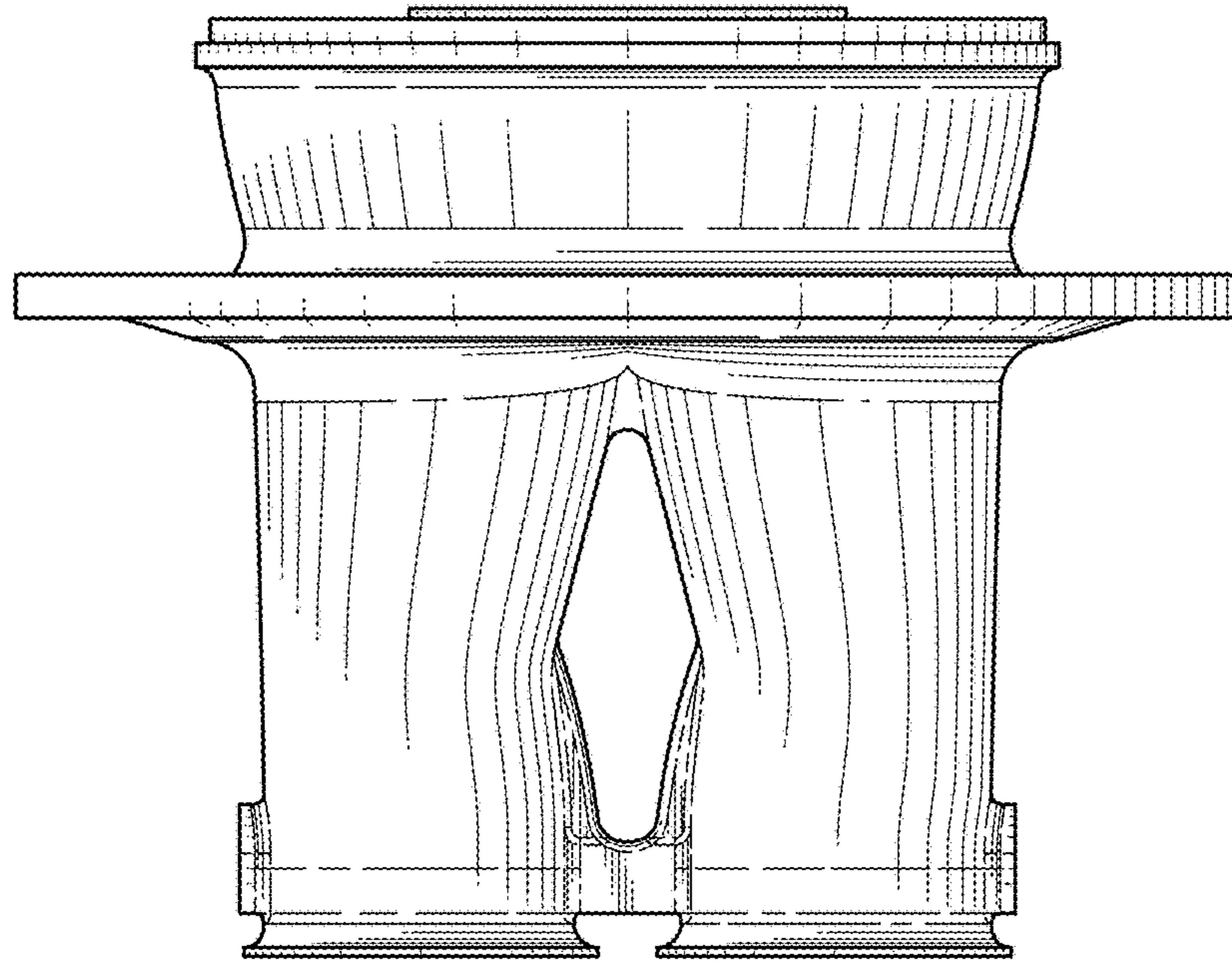


FIG. 6

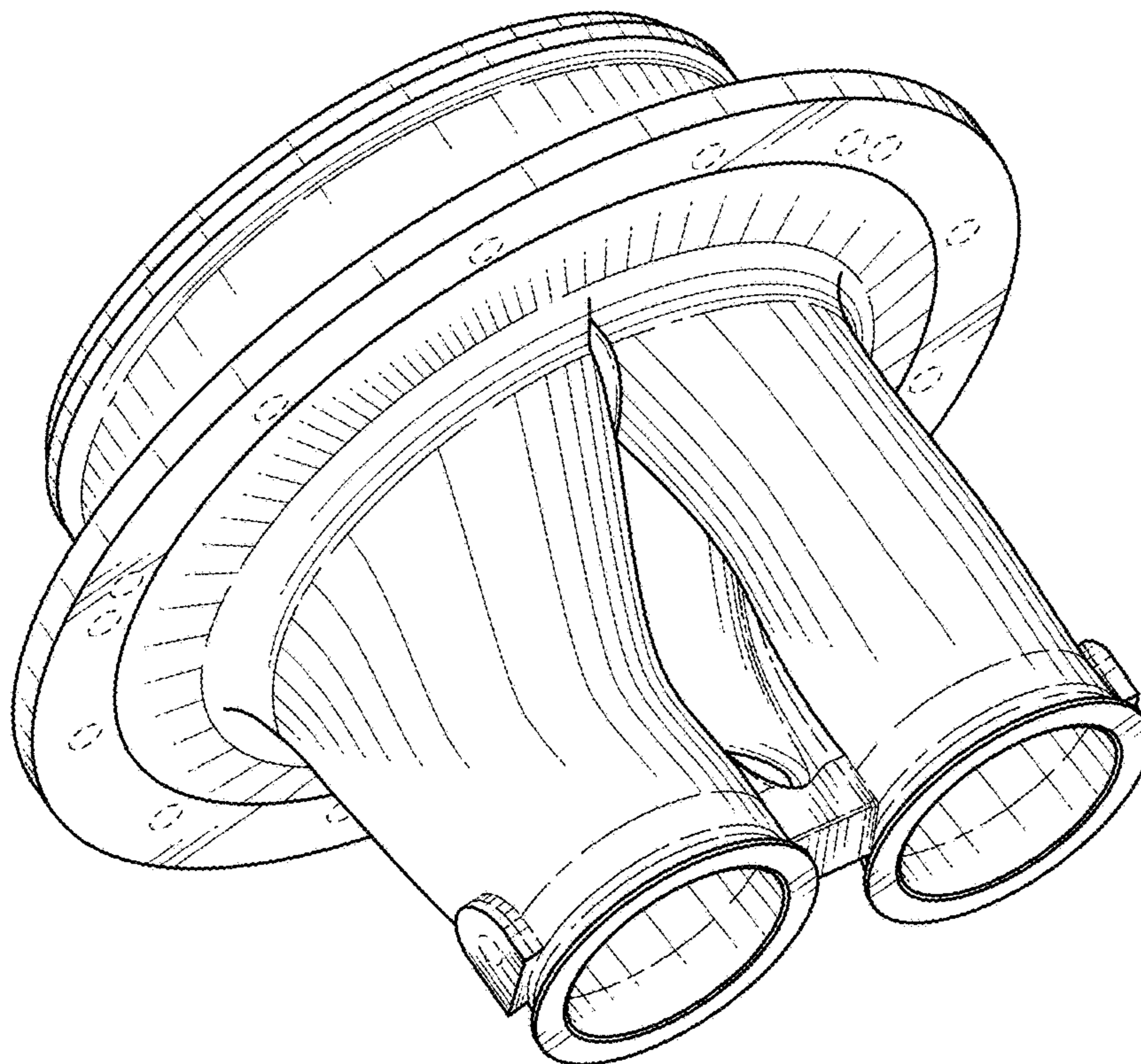


FIG. 7