



US00D818501S

(12) **United States Design Patent** (10) **Patent No.:** **US D818,501 S**
Isono (45) **Date of Patent:** **** May 22, 2018**

(54) **OUTBOARD MOTOR FOR A VESSEL**
(71) Applicant: **HONDA MOTOR CO., LTD.**, Tokyo (JP)
(72) Inventor: **Fumiya Isono**, Wako (JP)
(73) Assignee: **HONDA MOTOR CO., LTD.**, Tokyo (JP)
(**) Term: **15 Years**

(21) Appl. No.: **29/579,122**
(22) Filed: **Sep. 28, 2016**

(30) **Foreign Application Priority Data**

Mar. 28, 2016 (JP) 2016-006657

(51) **LOC (11) Cl.** **15-01**
(52) **U.S. Cl.**
USPC **D15/4**

(58) **Field of Classification Search**
USPC D15/4, 5
CPC .. B63H 20/32; B63H 2020/323; B63H 23/30;
B63H 23/08; B63H 23/22; B63H 5/14;
B63H 5/15; B63H 21/165; B63H 21/17;
B63H 21/38; B63H 5/125; B63B 35/68
See application file for complete search history.

(56) **References Cited**

U.S. PATENT DOCUMENTS

D458,938 S * 6/2002 Burmeister D15/5
D463,447 S * 9/2002 Osumi D15/4
6,488,552 B2 * 12/2002 Kitsu F02B 61/045
440/77
D531,639 S * 11/2006 Okamoto D15/4
D589,057 S * 3/2009 Azuma D15/4
D589,981 S * 4/2009 Iekura D15/4
D611,062 S * 3/2010 Okamoto D15/4
D635,586 S * 4/2011 Okamoto D15/4
D643,440 S * 8/2011 Dannenberg D15/4

D663,321 S * 7/2012 Okamoto D15/3
D663,745 S * 7/2012 Isono D15/4
D671,145 S * 11/2012 Fujiwara D15/4
D692,922 S * 11/2013 Okamoto D15/4
8,651,906 B1 * 2/2014 Morton B63H 20/32
440/77
D727,969 S * 4/2015 Okamoto D15/4
9,580,947 B1 * 2/2017 Amerling E05C 19/12
2015/0090523 A1 * 4/2015 Kinpara F02M 35/1272
181/229
2017/0113772 A1 * 4/2017 Kumita B63H 20/002

* cited by examiner

Primary Examiner — T. Chase Nelson
Assistant Examiner — Ania Aman
(74) *Attorney, Agent, or Firm* — Westerman, Hattori,
Daniels & Adrian, LLP

(57) **CLAIM**

The ornamental design for an outboard motor for a vessel,
as shown and described.

DESCRIPTION

FIG. 1 is a first perspective view of an outboard motor for a vessel;
FIG. 2 is a second perspective view of the outboard motor for a vessel;
FIG. 3 is a front elevation view of the outboard motor for a vessel;
FIG. 4 is a rear elevation view of the outboard motor for a vessel;
FIG. 5 is a top plan view of the outboard motor for a vessel;
FIG. 6 is a right side elevation view of the outboard motor for a vessel; and,
FIG. 7 is left side elevation view of the outboard motor for a vessel.
The broken lines shown in the views depict unclaimed portions of the outboard motor and form no part of the claimed design.

1 Claim, 7 Drawing Sheets

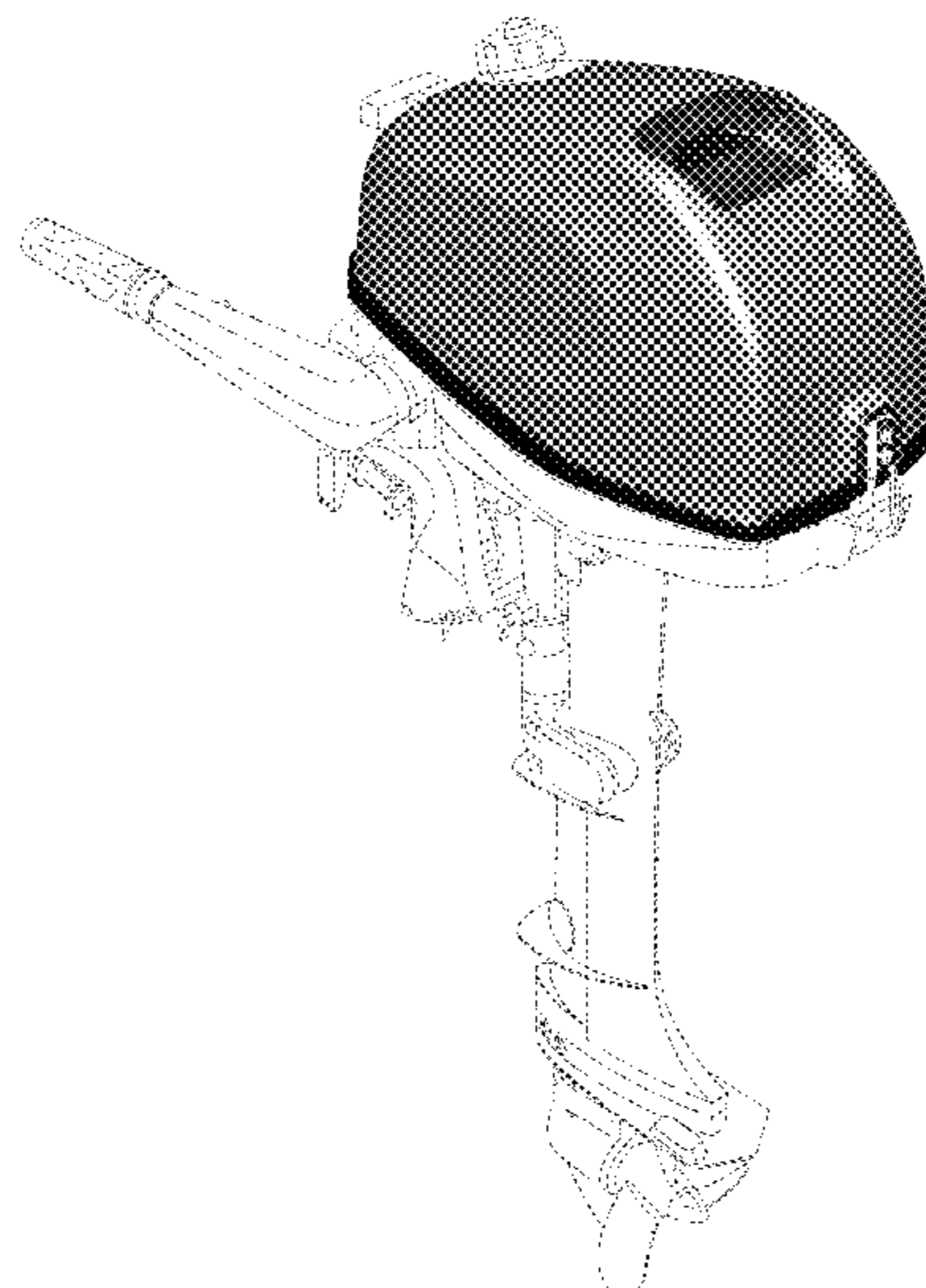


Fig. 1

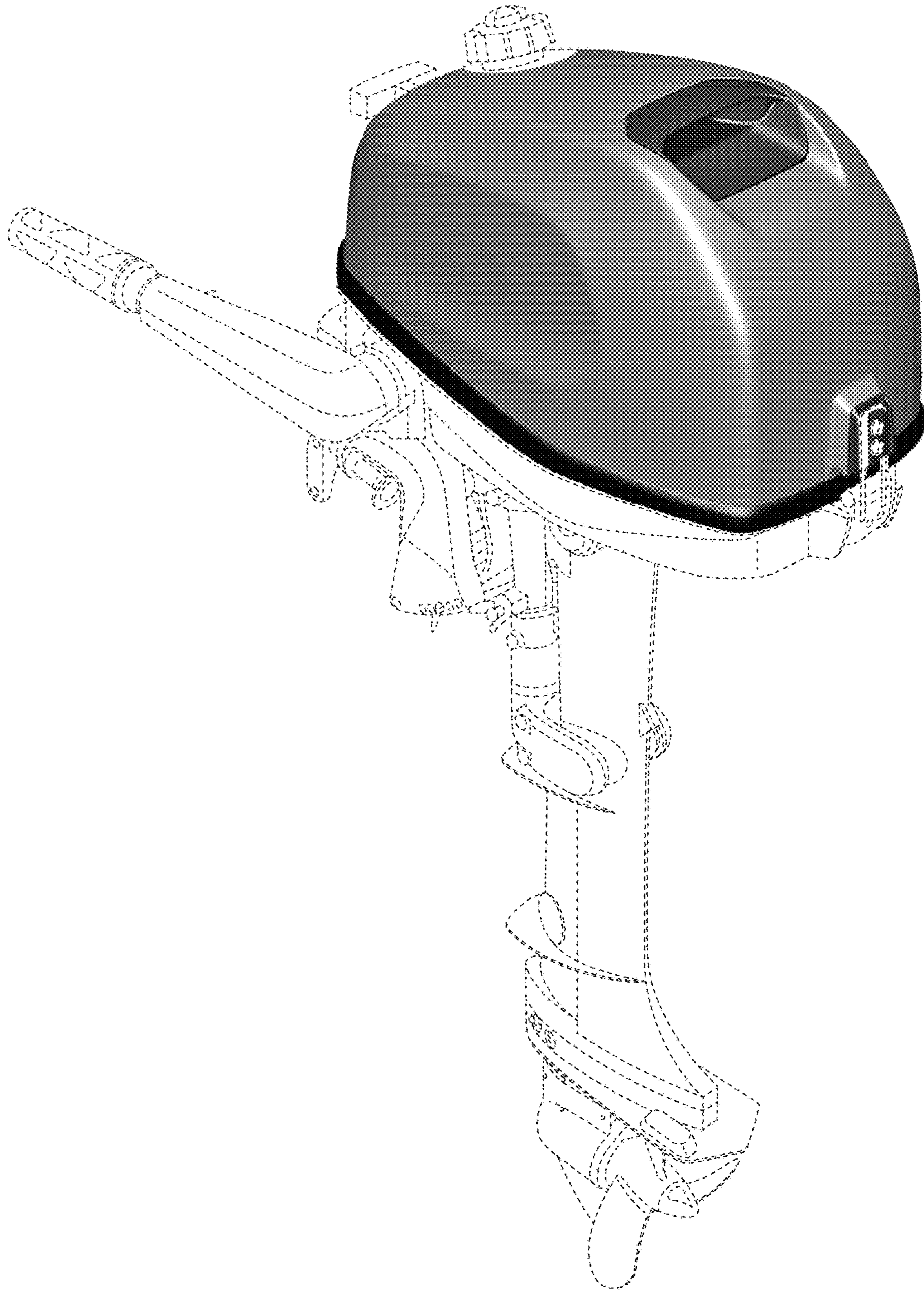


Fig. 2

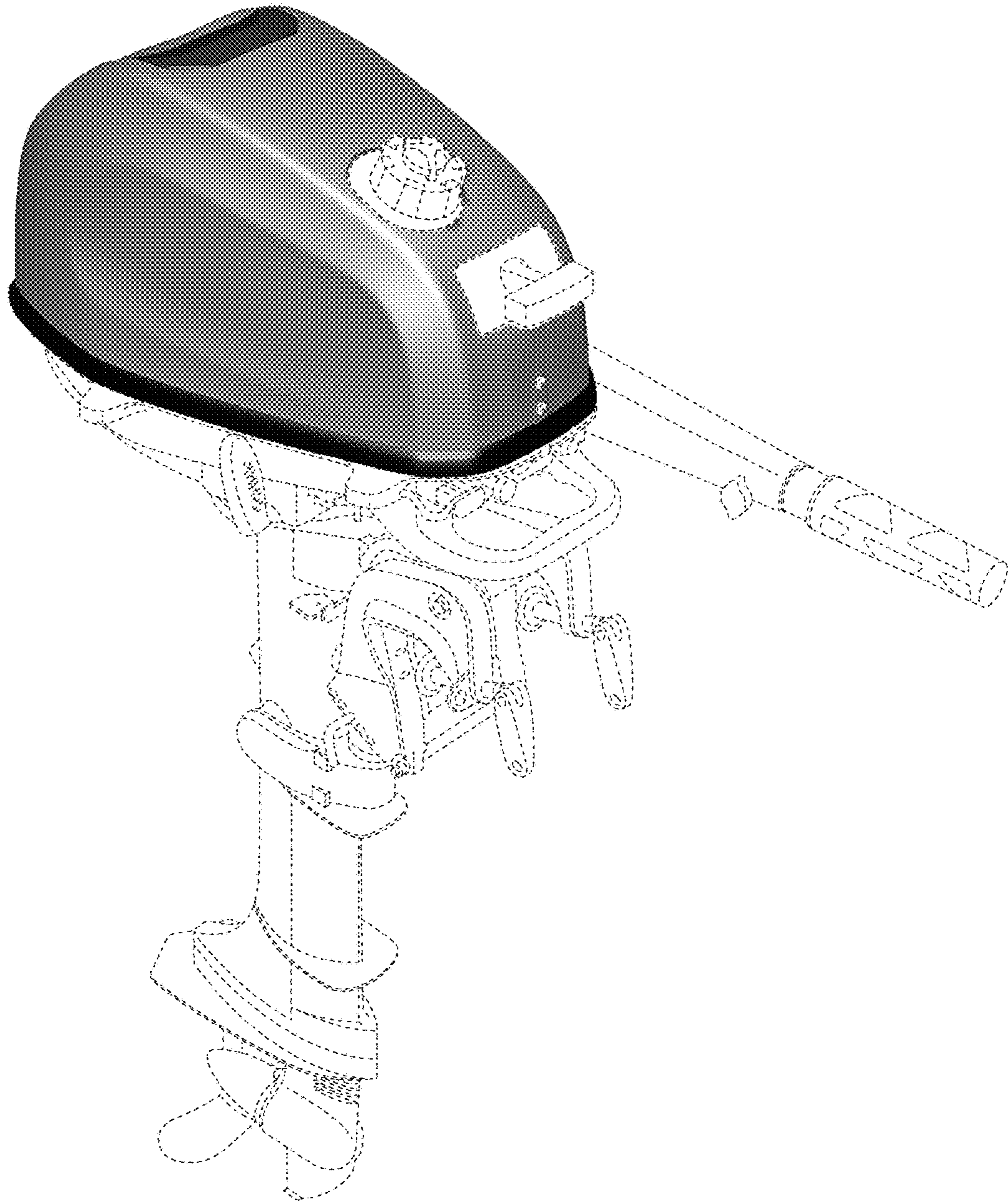


Fig. 3

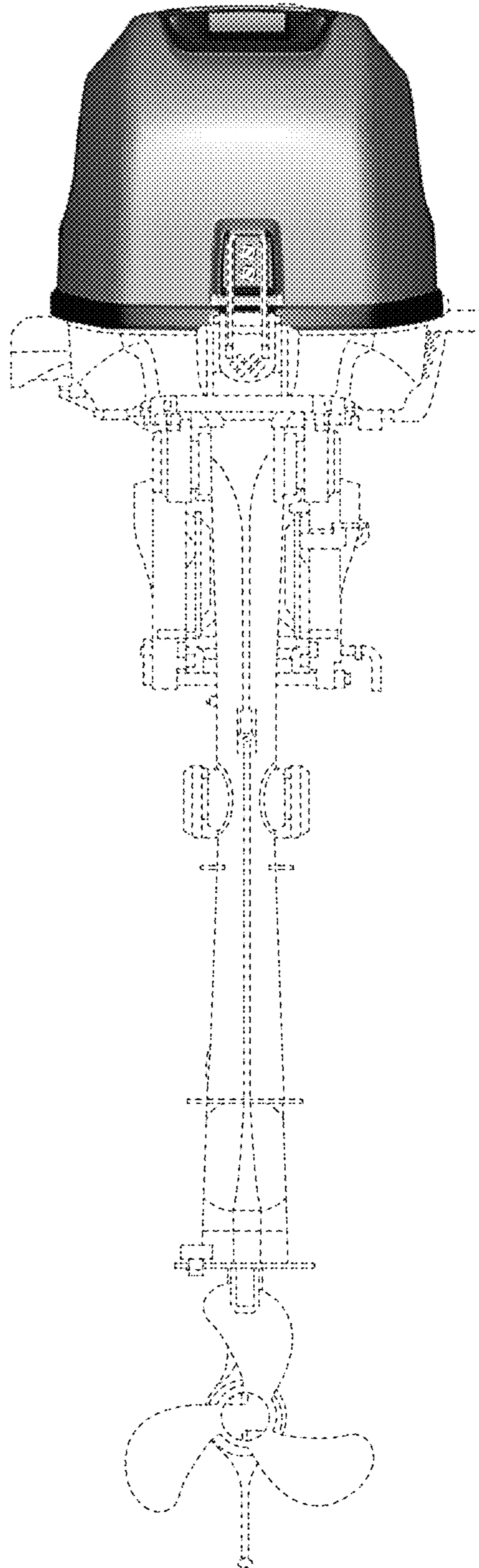


Fig. 4

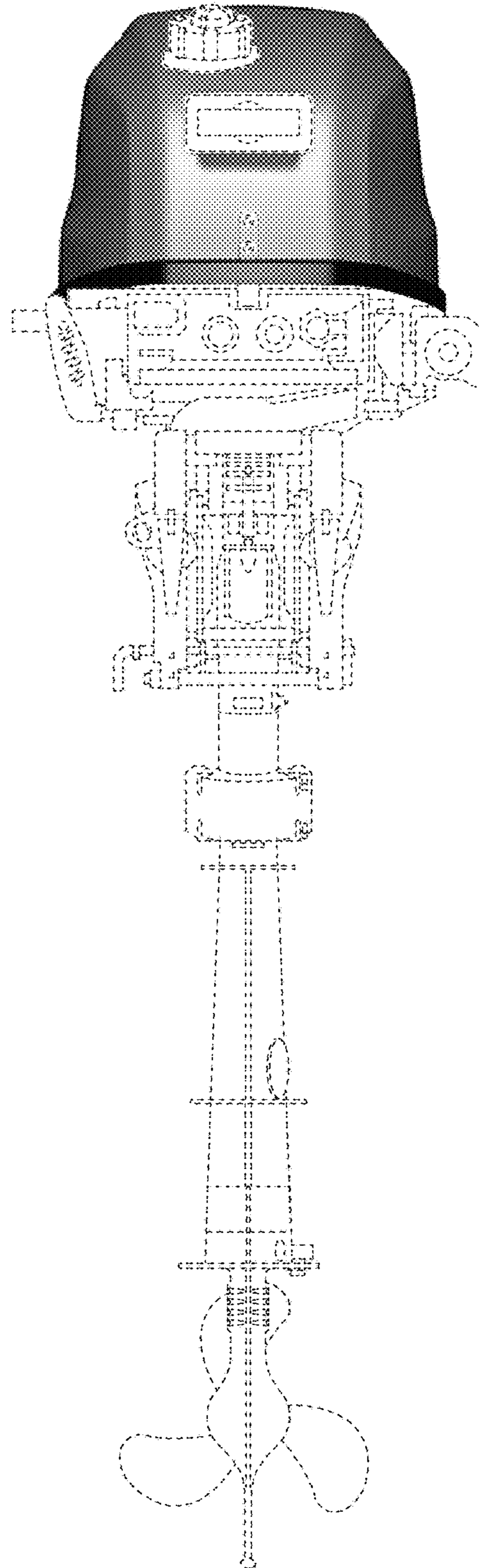


Fig. 5

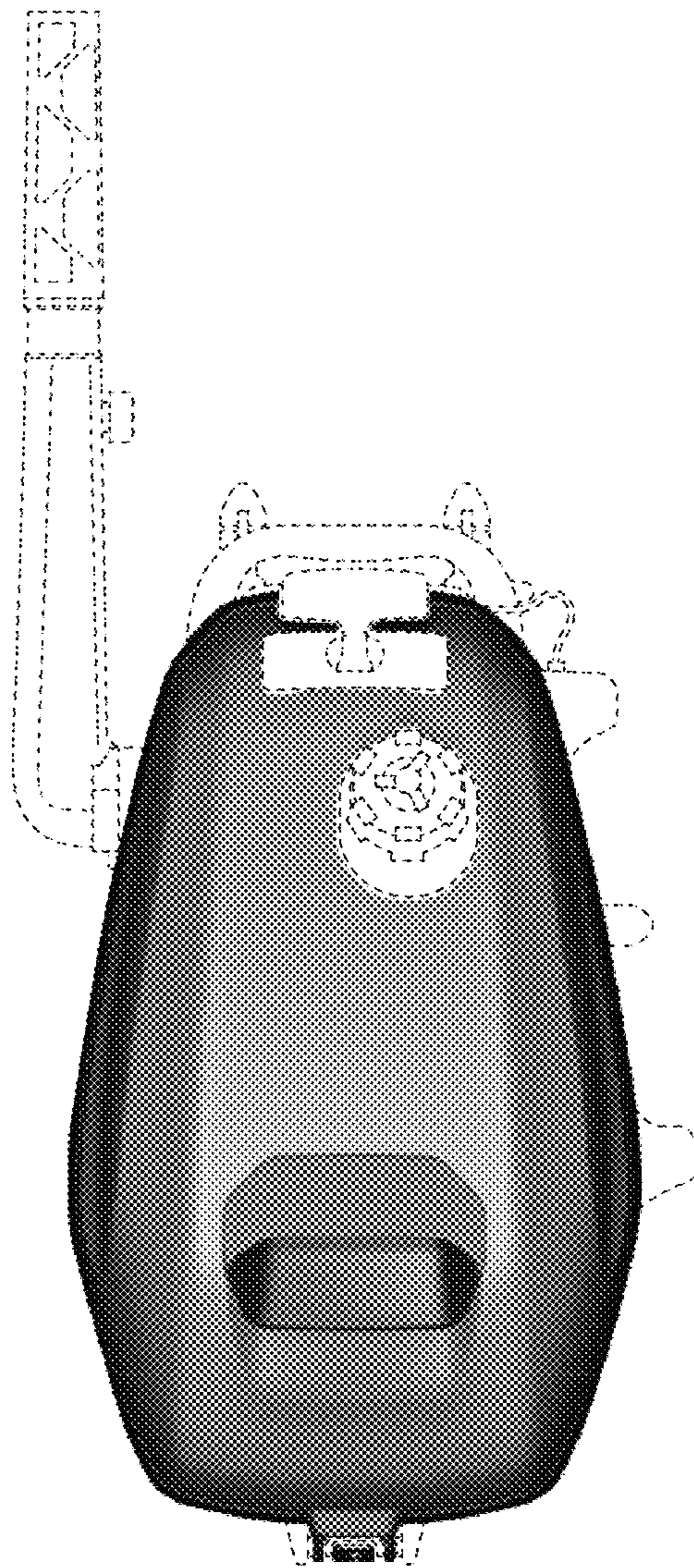


Fig. 6

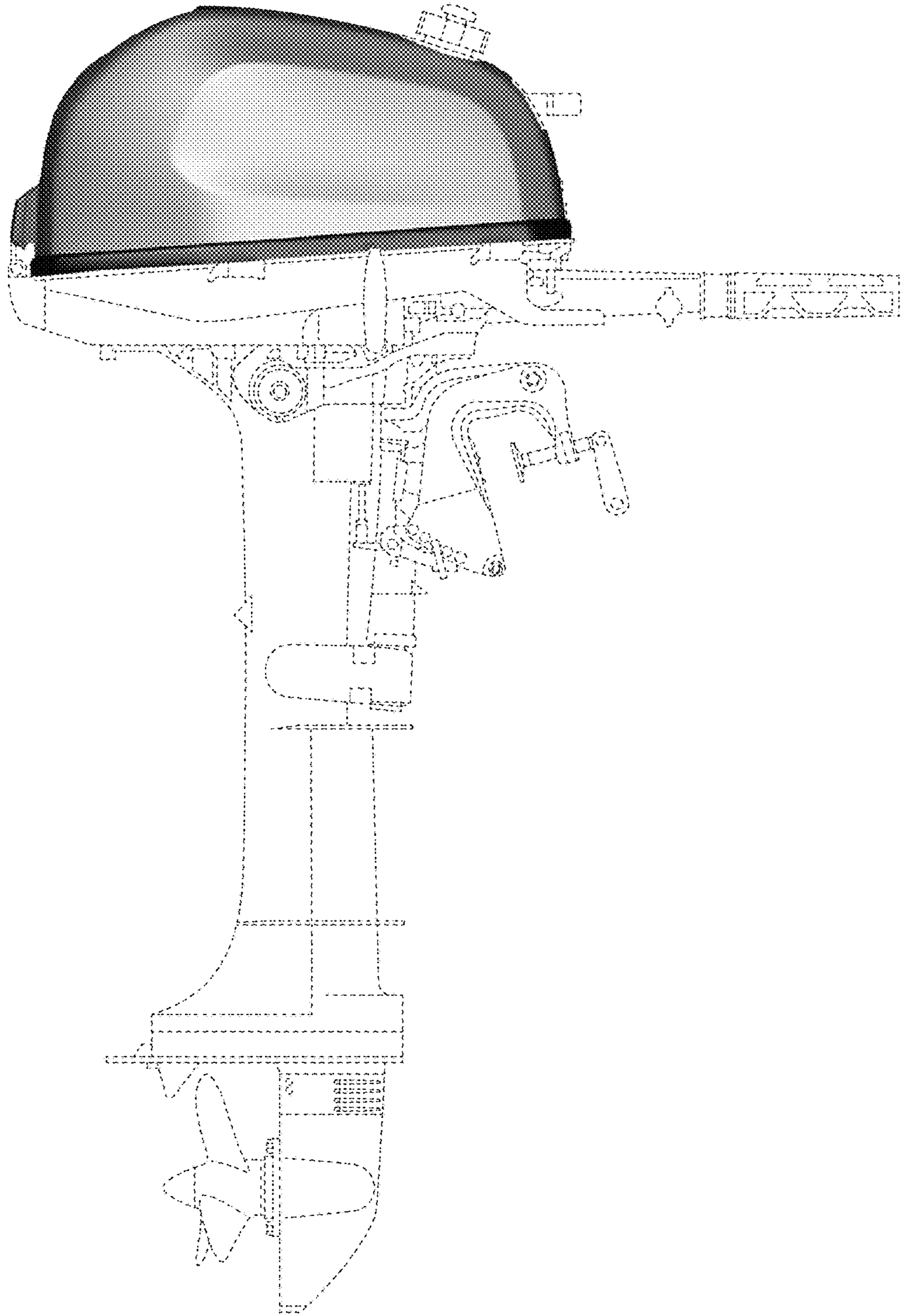


Fig. 7

