

US00D818488S

(12) **United States Design Patent** (10) **Patent No.:** **US D818,488 S**  
**Frazier** (45) **Date of Patent:** **\*\* May 22, 2018**

(54) **DISPLAY SCREEN OR PORTION THEREOF WITH A GRAPHICAL USER INTERFACE**

(71) Applicant: **KeepItSafe, Inc.**, Los Angeles, CA (US)

(72) Inventor: **Michael Frazier**, North Hollywood, CA (US)

(73) Assignee: **KEEPITSAFE, INC.**, Los Angeles, CA (US)

(\*\*) Term: **15 Years**

(21) Appl. No.: **29/581,058**

(22) Filed: **Oct. 14, 2016**

(51) **LOC (11) Cl.** ..... **14-04**

(52) **U.S. Cl.**  
USPC ..... **D14/488**

(58) **Field of Classification Search**  
USPC ..... D14/485, 486, 487–488, 489–495  
CPC .... G06F 3/0481; G06F 3/048; G06F 3/04842; G06F 3/04845; G11B 19/025  
See application file for complete search history.

(56) **References Cited**

**U.S. PATENT DOCUMENTS**

D554,661 S *	11/2007	Hoover	.....	D14/487
D565,588 S *	4/2008	Sherry	.....	D14/488
D589,521 S *	3/2009	Napier	.....	D14/486
D592,674 S *	5/2009	Kwag	.....	D14/486
D604,742 S *	11/2009	Nagata	.....	D14/486
D635,987 S *	4/2011	Mays	.....	D14/487
D654,925 S *	2/2012	Nishizawa	.....	D14/488
D682,304 S *	5/2013	Mierau	.....	D14/488
D682,305 S *	5/2013	Mierau	.....	D14/488
D686,244 S *	7/2013	Moriya	.....	D14/489
D692,447 S *	10/2013	Marshall	.....	D14/486
D693,837 S *	11/2013	Bouchier	.....	D14/486
D697,932 S *	1/2014	Lee	.....	D14/486
D698,810 S *	2/2014	Misaki	.....	D14/487

D699,737 S *	2/2014	Pearson	.....	D14/486
D700,618 S *	3/2014	Hwang	.....	D14/486
D706,806 S *	6/2014	Nishizawa	.....	D14/488
D716,831 S *	11/2014	Schoger	.....	D14/486
D716,834 S *	11/2014	Myung	.....	D14/486
D717,335 S *	11/2014	Sakuma	.....	D14/487
D719,180 S *	12/2014	Liang	.....	D14/486
D721,090 S *	1/2015	Hong	.....	D14/487
D724,616 S *	3/2015	Jou	.....	D14/486
D733,167 S *	6/2015	Schoger	.....	D14/486
D743,992 S *	11/2015	Lee	.....	D14/487

(Continued)

*Primary Examiner* — Robin V Webster

*Assistant Examiner* — Rachel Voorhies

(74) *Attorney, Agent, or Firm* — Singularity LLP

(57) **CLAIM**

The ornamental design for a display screen or portion thereof with a graphical user interface, as shown and described.

**DESCRIPTION**

FIG. 1 is a front view of a display screen with a graphical user interface in portrait mode showing an embodiment of our new design.

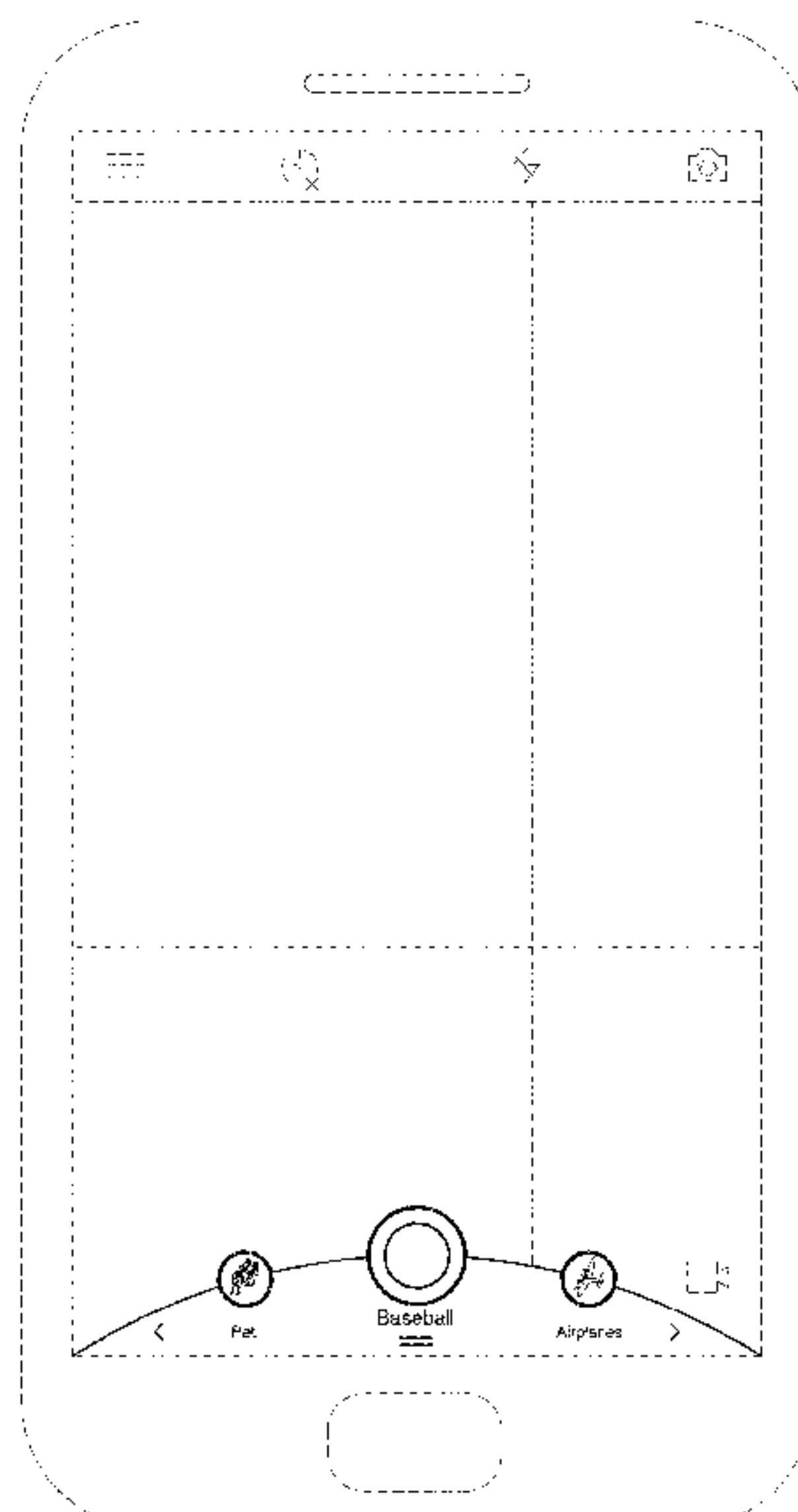
FIG. 2 is a front view of a display screen with a graphical user interface in portrait mode showing an embodiment of our new design.

FIG. 3 is a front view of a display screen with graphical user interface in landscape mode showing an embodiment of our new design; and,

FIG. 4 is a front view of a display screen with graphical user interface in landscape mode showing an embodiment of our new design.

The broken lines showing a display device illustrate an environment. The broken line portions of the Figures, including broken line portions of display screens, broken line text, and broken line graphical elements form no portion of the claimed design.

**1 Claim, 4 Drawing Sheets**



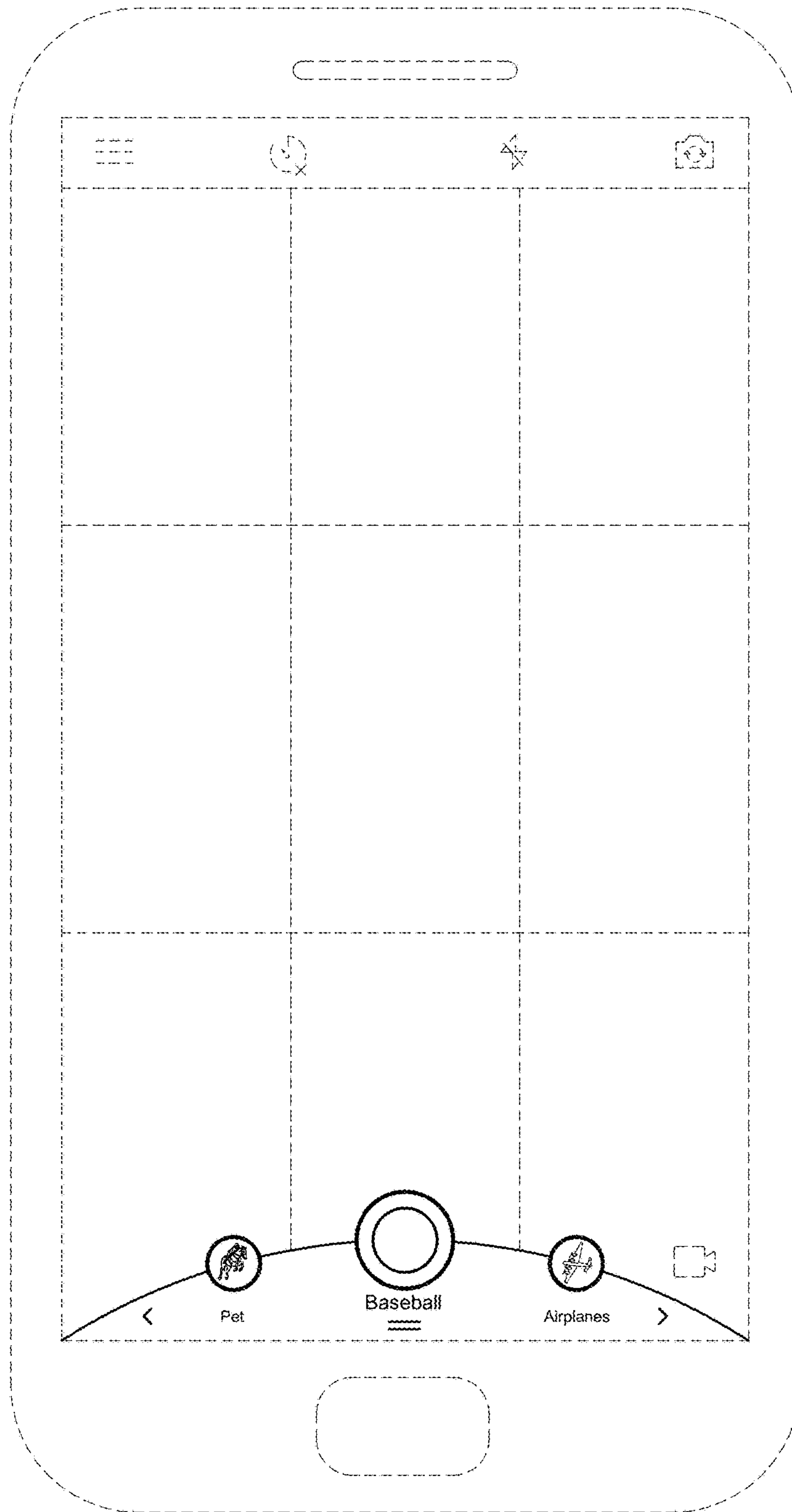
(56)

**References Cited**

U.S. PATENT DOCUMENTS

D757,816 S \* 5/2016 Pan ..... G06F 3/04817  
D14/494  
D767,619 S \* 9/2016 Lin ..... D14/488  
D769,314 S \* 10/2016 Piroddi ..... D14/488  
D774,518 S \* 12/2016 Lv ..... D14/485  
D776,676 S \* 1/2017 Shi ..... D14/485  
D777,173 S \* 1/2017 Yang ..... G06Q 50/24  
D14/485  
D778,314 S \* 2/2017 Li ..... D14/488  
D786,275 S \* 5/2017 Yuk ..... D14/485  
D788,139 S \* 5/2017 Lee ..... D14/486  
D797,136 S \* 9/2017 Hirai ..... D14/486  
D797,786 S \* 9/2017 Kim ..... D14/487  
D801,986 S \* 11/2017 Pirklbauer ..... D14/485  
2003/0103088 A1 \* 6/2003 Dresti ..... G06F 3/0481  
715/835  
2003/0146929 A1 \* 8/2003 Baldwin ..... G06F 3/0481  
715/733  
2015/0188720 A1 \* 7/2015 Winter ..... H04L 12/1813  
715/753  
2015/0293655 A1 \* 10/2015 Tan ..... G06F 3/0486  
715/727

\* cited by examiner



**FIG. 1**

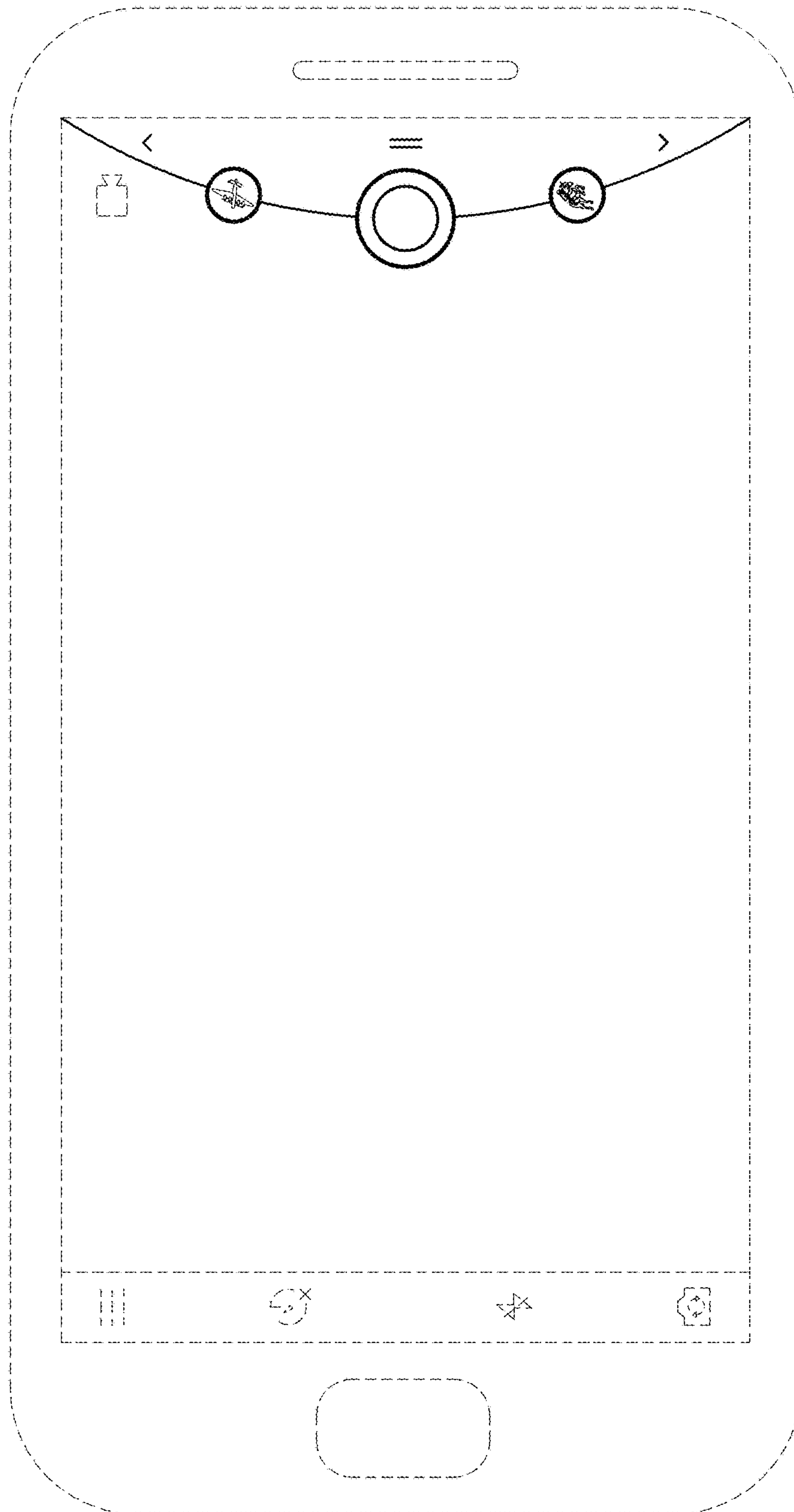
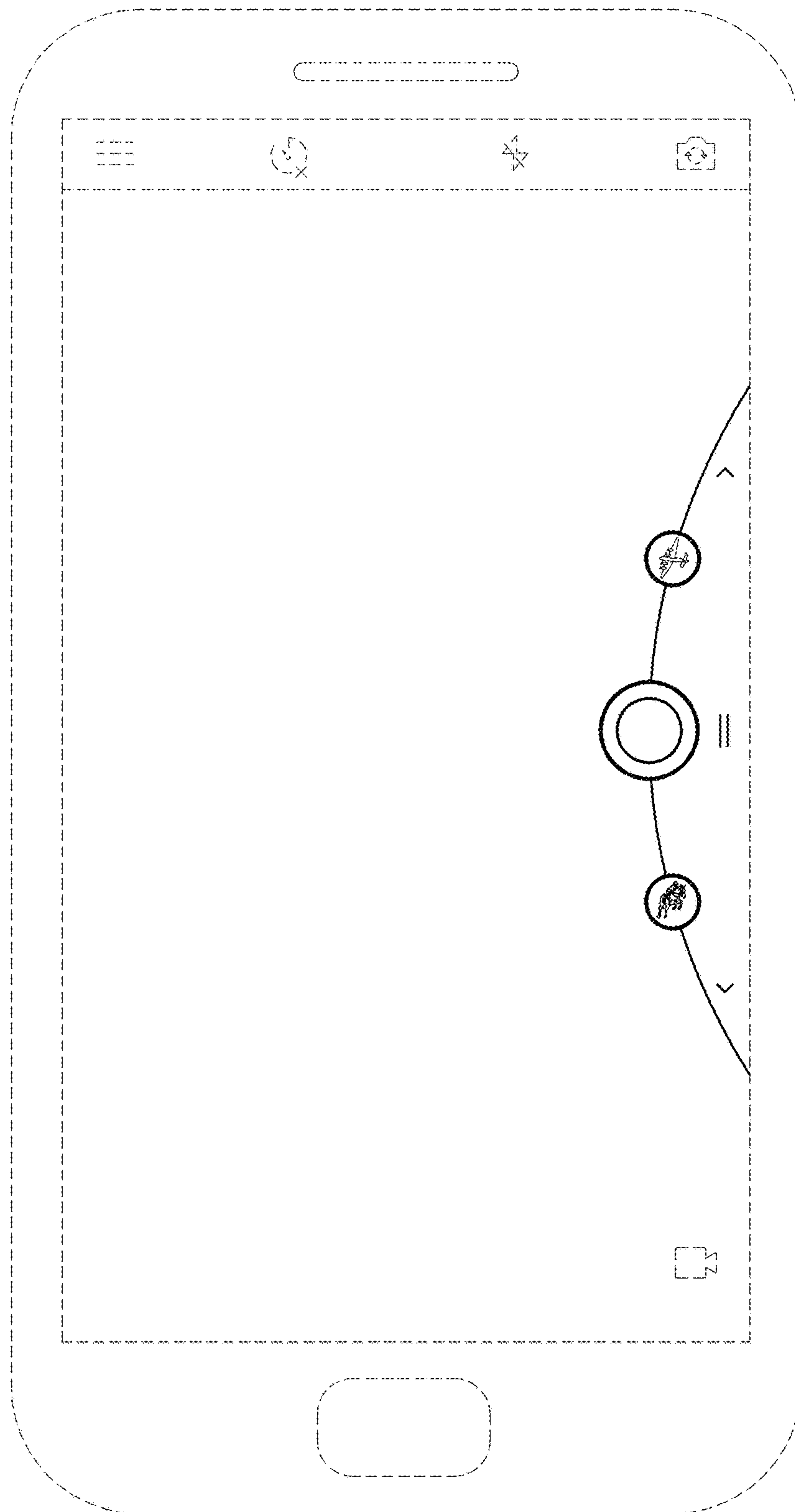
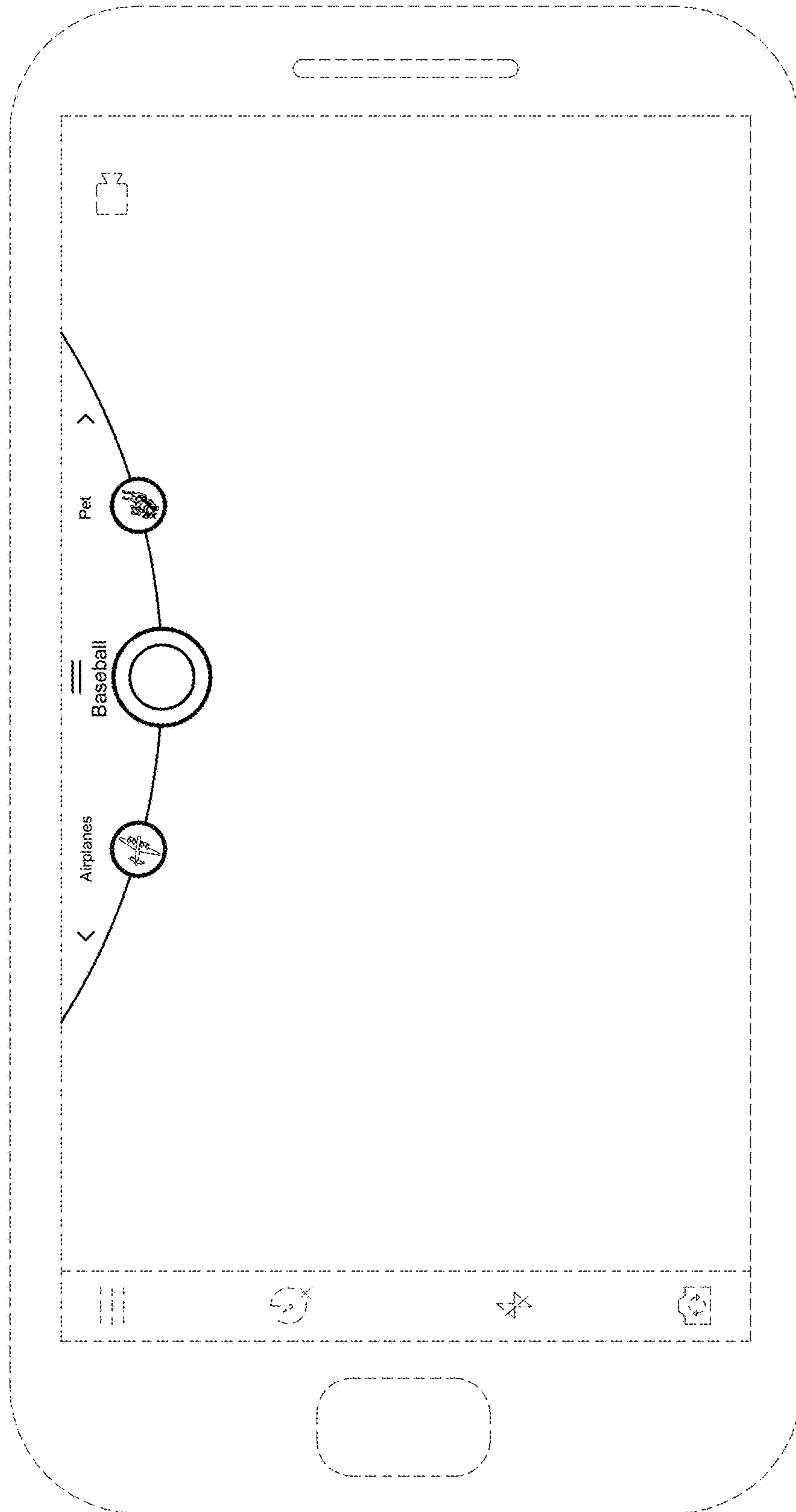


FIG. 2



**FIG. 3**



**FIG. 4**