



US00D818469S

(12) **United States Design Patent** (10) **Patent No.:** **US D818,469 S**
Bragg et al. (45) **Date of Patent:** **** May 22, 2018**

(54) **COMMUNICATION OUTLET**

FOREIGN PATENT DOCUMENTS

(71) Applicant: **Leviton Manufacturing Co., Inc.**,
Melville, NY (US)

CN	101142757	3/2008
EP	1 443 608	8/2004

(Continued)

(72) Inventors: **Charles R. Bragg**, Bothell, WA (US);
Ryan C. Moore, Mill Creek, WA (US);
Dean S. Lipke, Mill Creek, WA (US)

OTHER PUBLICATIONS

PCT International Search Report and Written Opinion in International application No. PCT/US2016/056499, dated Jan. 29, 2017.

(Continued)

(73) Assignee: **Leviton Manufacturing Co., Inc.**,
Melville, NY (US)

Primary Examiner — Austin Murphy

(**) Term: **15 Years**

(74) *Attorney, Agent, or Firm* — George C. Rondeau, Jr.;
Davis Wright Tremaine LLP

(21) Appl. No.: **29/553,902**

(57) **CLAIM**

(22) Filed: **Feb. 5, 2016**

The ornamental design for a communication outlet, as shown and described.

DESCRIPTION

Related U.S. Application Data

(62) Division of application No. 29/494,362, filed on Jun. 19, 2014, now Pat. No. Des. 752,590.

(51) **LOC (11) Cl.** **14-02**

(52) **U.S. Cl.**
USPC **D14/433**

(58) **Field of Classification Search**
USPC D14/356, 432–434, 453, 454, 511, 203.8,
D14/209.1, 238.1, 240, 125; 439/638,
439/928, 105, 502; 710/303, 304;
361/679.41, 679.55, 679.56; D13/110,
D13/133, 146

(Continued)

(56) **References Cited**

U.S. PATENT DOCUMENTS

5,547,405 A 8/1996 Pinney
6,371,793 B1 4/2002 Doorhy et al.

(Continued)

FIG. 1 is a top rear perspective view of a communication outlet showing our new design.

FIG. 2 is a top front perspective view thereof.

FIG. 3 is a rear elevational view thereof

FIG. 4 is a right side elevational view thereof.

FIG. 5 is a top plan view thereof.

FIG. 6 is a left side elevational view thereof.

FIG. 7 is a bottom plan view thereof; and,

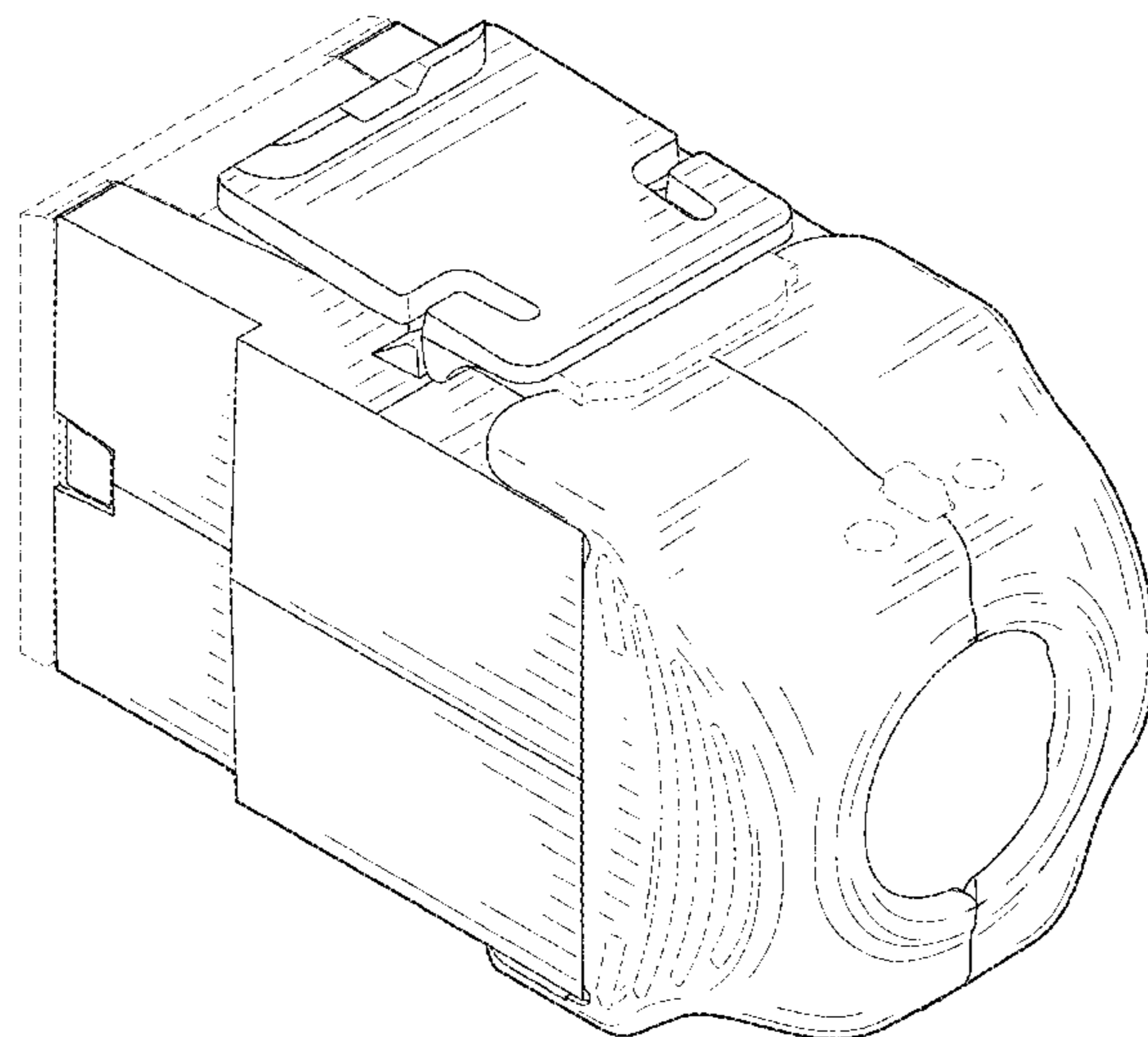
FIG. 8 is a front elevational view thereof.

The broken lines represent portions of the communication outlet that form no part of the claim.

The FIGS. 25-32 drawings are partially lined for the color silver, however, the color extends across the entire surface of the top, bottom, right side, left side and rear of the communication outlet, but not across the front thereof.

The FIGS. 33-40 drawings are partially lined for the color black, however, the color extends across the entire surface of the top, bottom, right side, left side and rear of the communication outlet, but not across the front thereof.

1 Claim, 8 Drawing Sheets



(58) **Field of Classification Search**
 CPC ... H04L 12/2832; H04L 12/2838; G06F 3/00;
 G06F 5/00; G06F 13/14
 See application file for complete search history.

(56) **References Cited**

U.S. PATENT DOCUMENTS

6,379,157	B1	4/2002	Curry et al.	
6,786,776	B2	9/2004	Itano et al.	
6,796,806	B2	9/2004	Boutros et al.	
7,220,149	B2	5/2007	Pharney	
D565,443	S *	4/2008	Frake	D10/78
7,413,464	B1	8/2008	Chen	
D587,201	S	2/2009	Allwood	
D603,341	S	11/2009	Kawakami	
7,713,094	B1	5/2010	Sparrowhawk	
7,736,195	B1	6/2010	Poulsen et al.	
RE41,699	E	9/2010	Itano et al.	
7,821,370	B1	10/2010	Shu et al.	
7,824,231	B2	11/2010	Marti et al.	
7,909,656	B1	3/2011	Erickson et al.	
7,967,645	B2	6/2011	Marti et al.	
8,038,482	B2	10/2011	Erickson et al.	
D649,971	S	12/2011	Lyford	
8,198,536	B2	6/2012	Clark	
D663,273	S	7/2012	Lyford	
D668,226	S	10/2012	Lyford	
8,475,201	B2	7/2013	Pirlo	
8,690,459	B2	4/2014	Lin et al.	
D714,293	S	9/2014	Kelly	
D721,036	S *	1/2015	Kreitzer	D13/133
D729,806	S	5/2015	Park	
D731,489	S	6/2015	Langhammer	
D732,536	S	6/2015	Kang	
D733,142	S	6/2015	Solomon	
9,147,977	B2	9/2015	Poulsen et al.	
D743,398	S	11/2015	Smith	
D745,523	S	12/2015	Magi	
D746,291	S	12/2015	Solomon	
9,251,930	B1	2/2016	McNutt	
D752,590	S *	3/2016	Bragg	D14/433
9,496,644	B2 *	11/2016	Bragg	H01R 13/627
9,627,827	B2 *	4/2017	Bragg	H01R 24/64
2004/0142589	A1	7/2004	Caveney	
2005/0245125	A1	11/2005	Colantuono	
2005/0277340	A1	12/2005	Gordon et al.	
2006/0030184	A1	2/2006	Sakaki	
2006/0094273	A1	5/2006	Mine et al.	
2008/0105449	A1	5/2008	Kenny et al.	

2008/0311797	A1	12/2008	Aekins
2009/0017656	A1	1/2009	Lee
2009/0104821	A1	4/2009	Marti
2010/0009567	A1	1/2010	Gyagang et al.
2010/0029122	A1	2/2010	Ferrus et al.
2010/0035471	A1	2/2010	Gaidosch
2010/0041527	A1	2/2010	Miller
2010/0206609	A1	8/2010	Glew
2012/0015536	A1	1/2012	Huang et al.
2012/0094525	A1	4/2012	Maranto et al.
2012/0184118	A1	7/2012	Lee
2012/0202389	A1	8/2012	Erickson
2013/0164967	A1	6/2013	Lu
2013/0248221	A1	9/2013	Booth et al.
2014/0027362	A1	1/2014	Kent
2014/0057485	A1	2/2014	Huang
2014/0273626	A1	9/2014	Sparrowhawk
2015/0029535	A1	1/2015	Kondoh et al.
2015/0229078	A1	8/2015	Caveney et al.
2015/0295350	A1	10/2015	Bragg
2016/0003617	A1	1/2016	Rocchi
2016/0036179	A1	2/2016	Bragg et al.
2016/0172794	A1	6/2016	Sparrowhawk et al.

FOREIGN PATENT DOCUMENTS

EP	1 753 093	2/2007
FR	2 982 431	5/2013
GB	2343558	5/2000
JP	2006-318801	11/2006
WO	2000051206	8/2000
WO	2005025007	3/2005
WO	2011-087480	7/2011
WO	2013063233	5/2013
WO	2015056246	4/2015

OTHER PUBLICATIONS

PCT International Search Report and Written Opinion in International application No. PCT/US2016/056374, dated Jan. 24, 2017.
 Extended European Search Report, dated Aug. 28, 2017, received in European Application No. 15 780 127.
 Notice of Allowance, dated Jun. 5, 2017, received in U.S. Appl. No. 15/052,630.
 Riley, J. C., "Communication Connector," U.S. Appl. No. 14/883,415, filed Oct. 14, 2015.
 Sparrowhawk, B. L., "Communications Connector System," U.S. Appl. No. 15/052,630, filed Feb. 24, 2016.

* cited by examiner

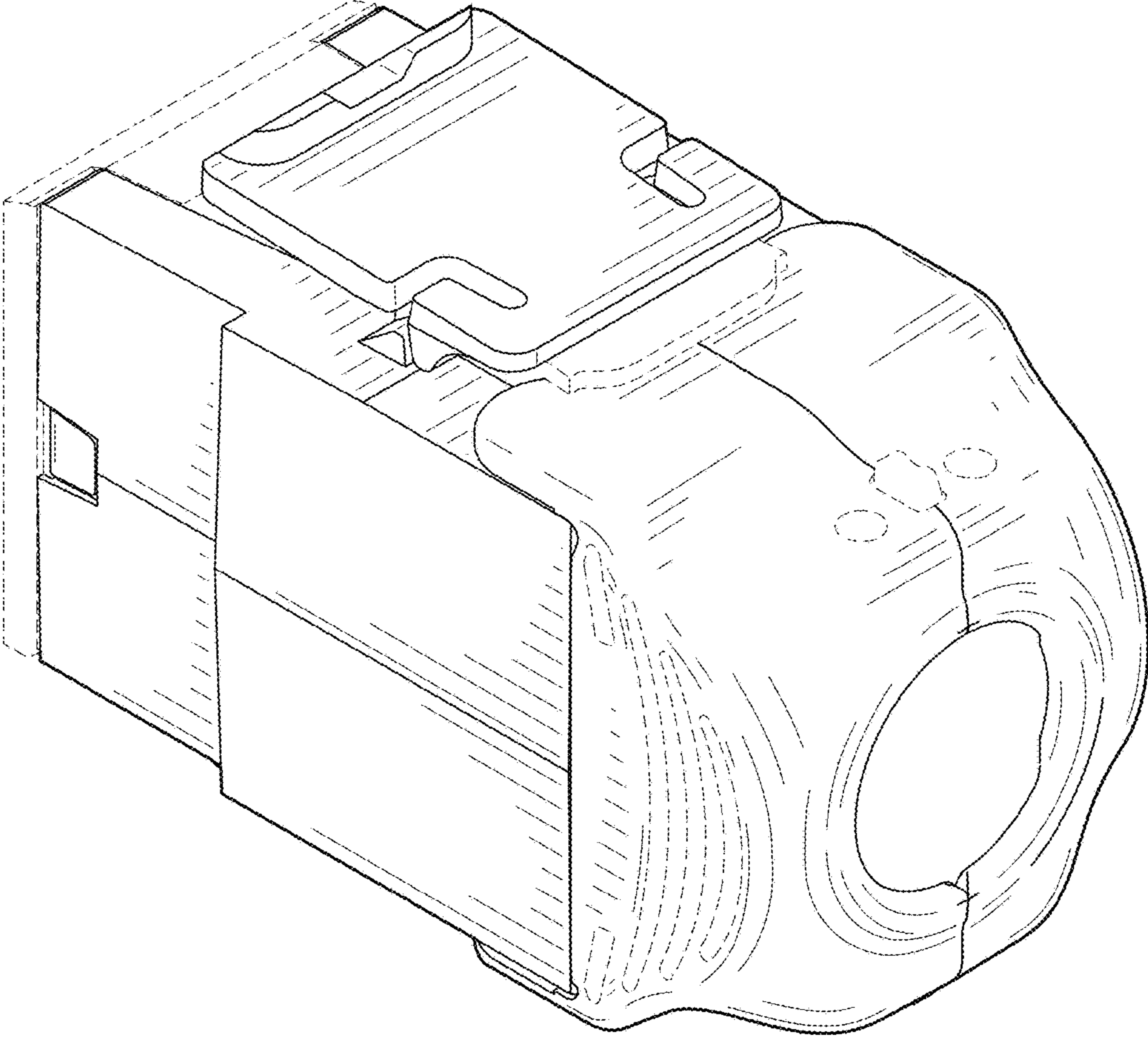


FIG. 1

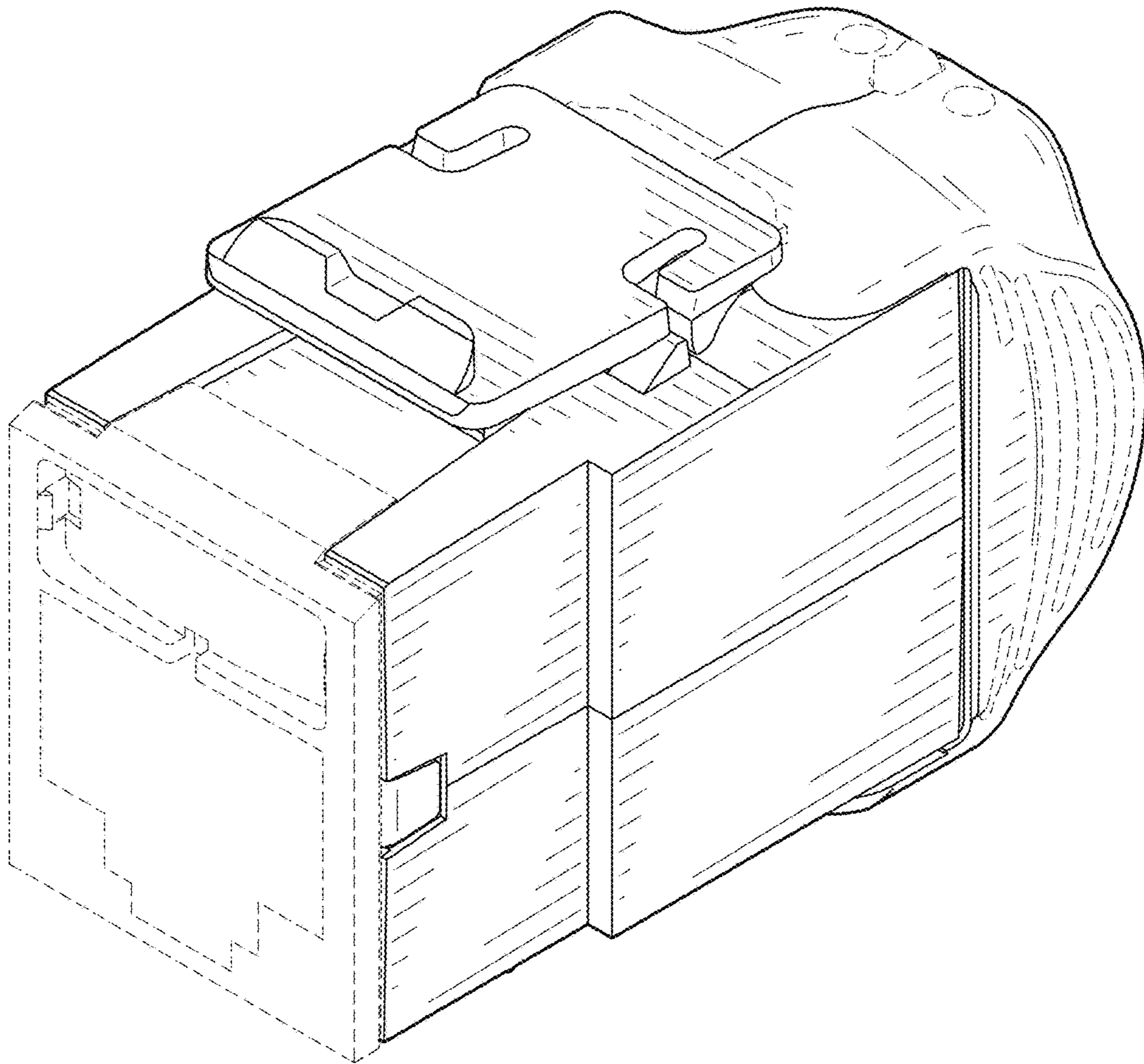


FIG. 2

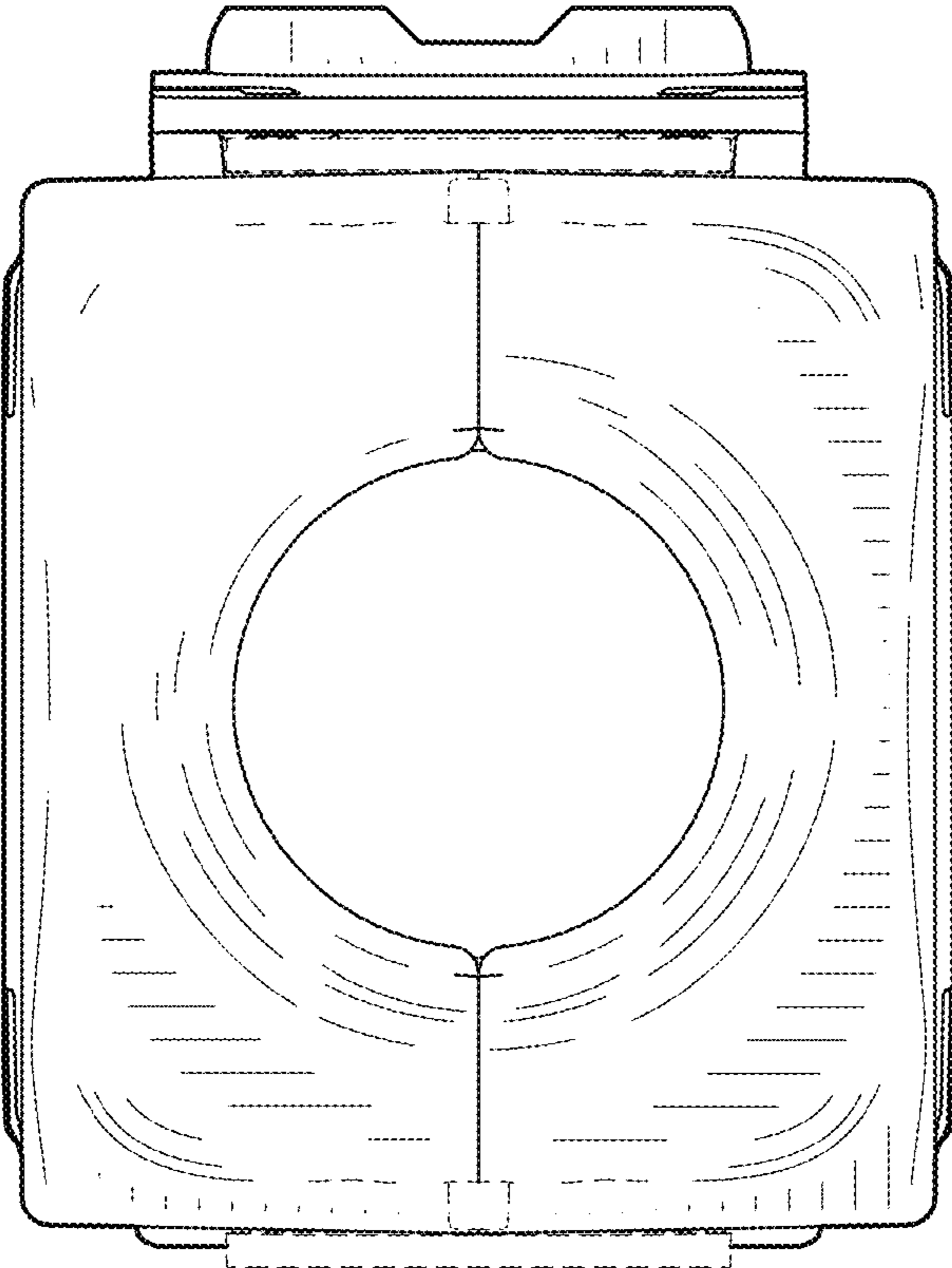


FIG. 3

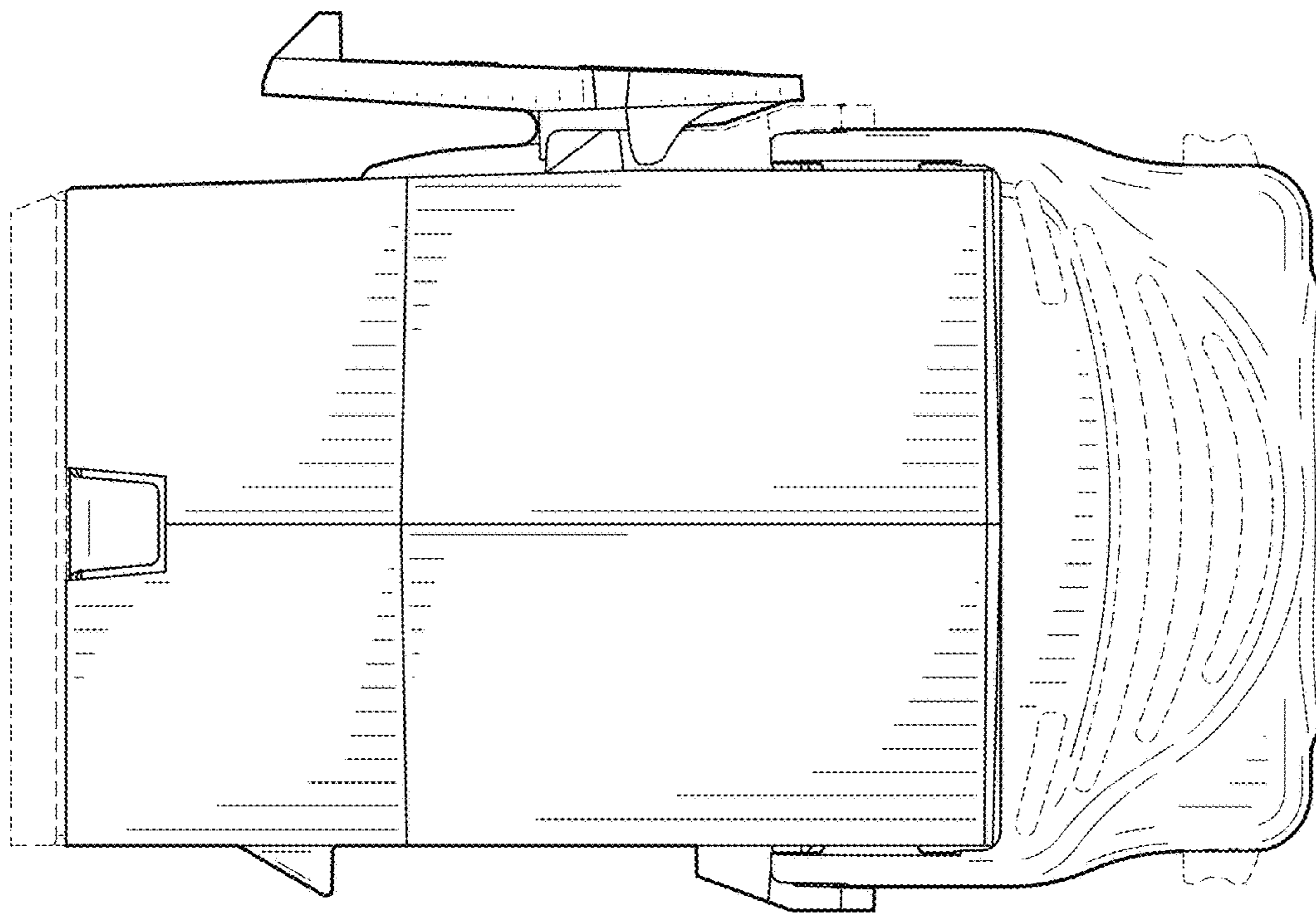


FIG. 4

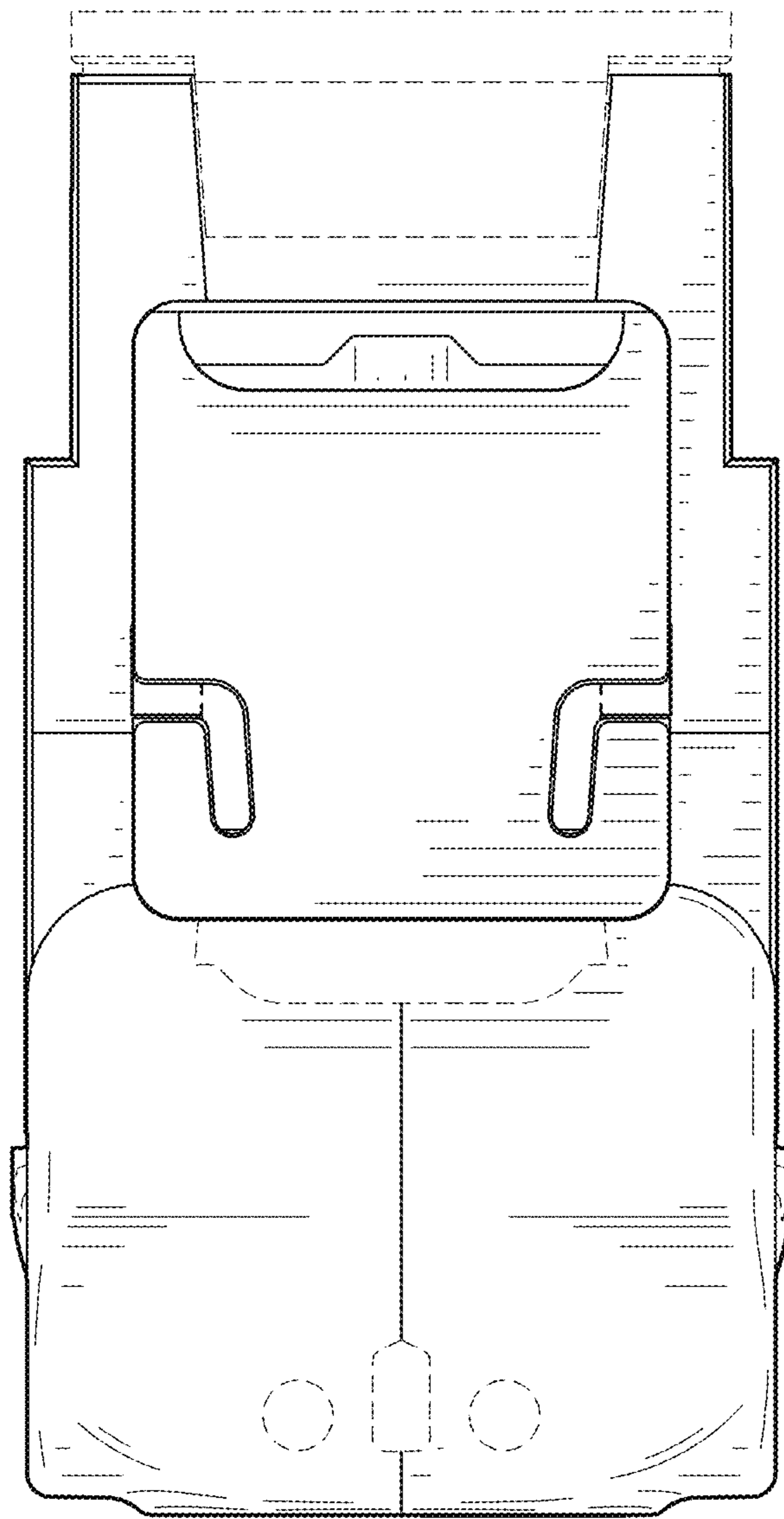


FIG. 5

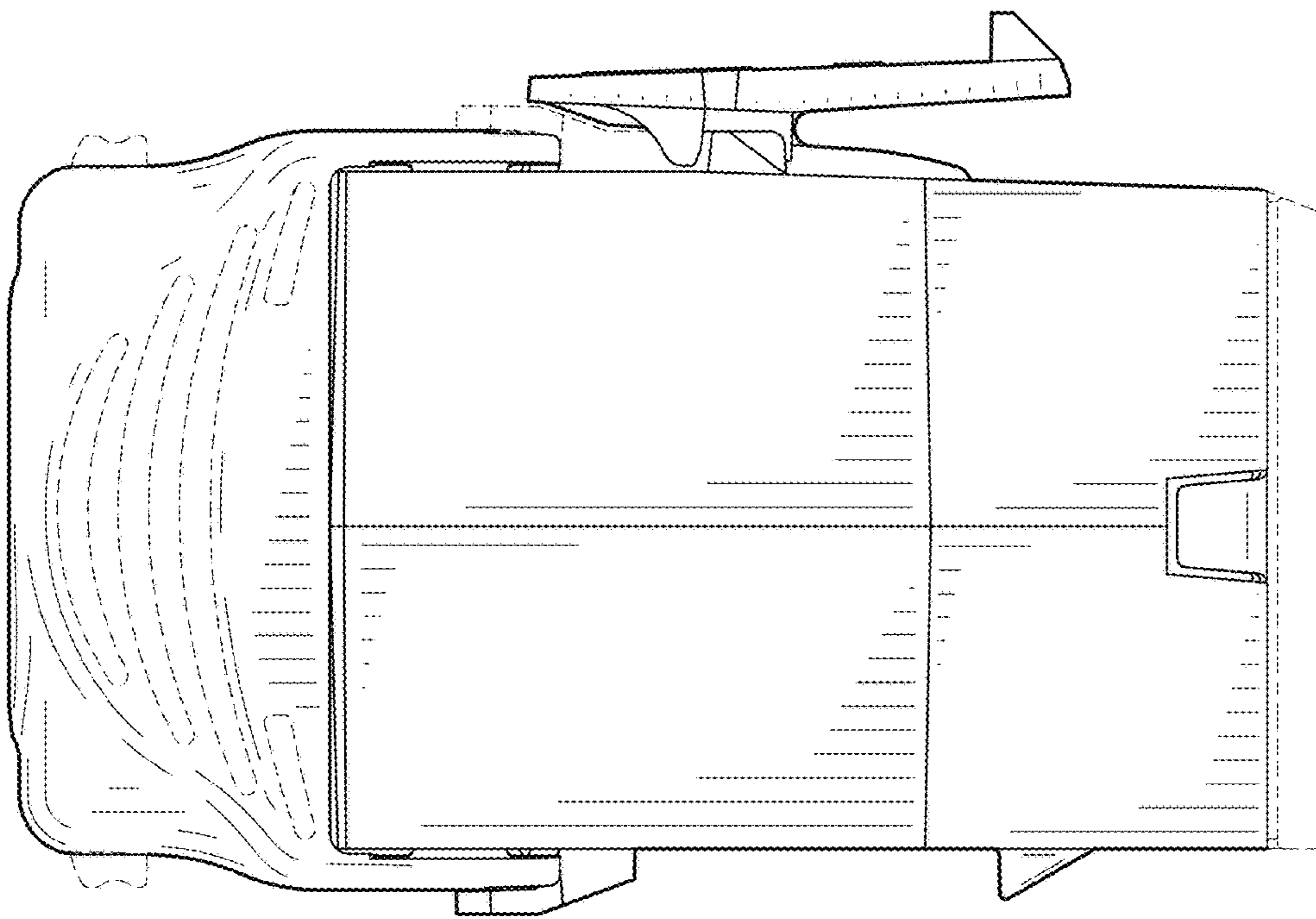


FIG. 6

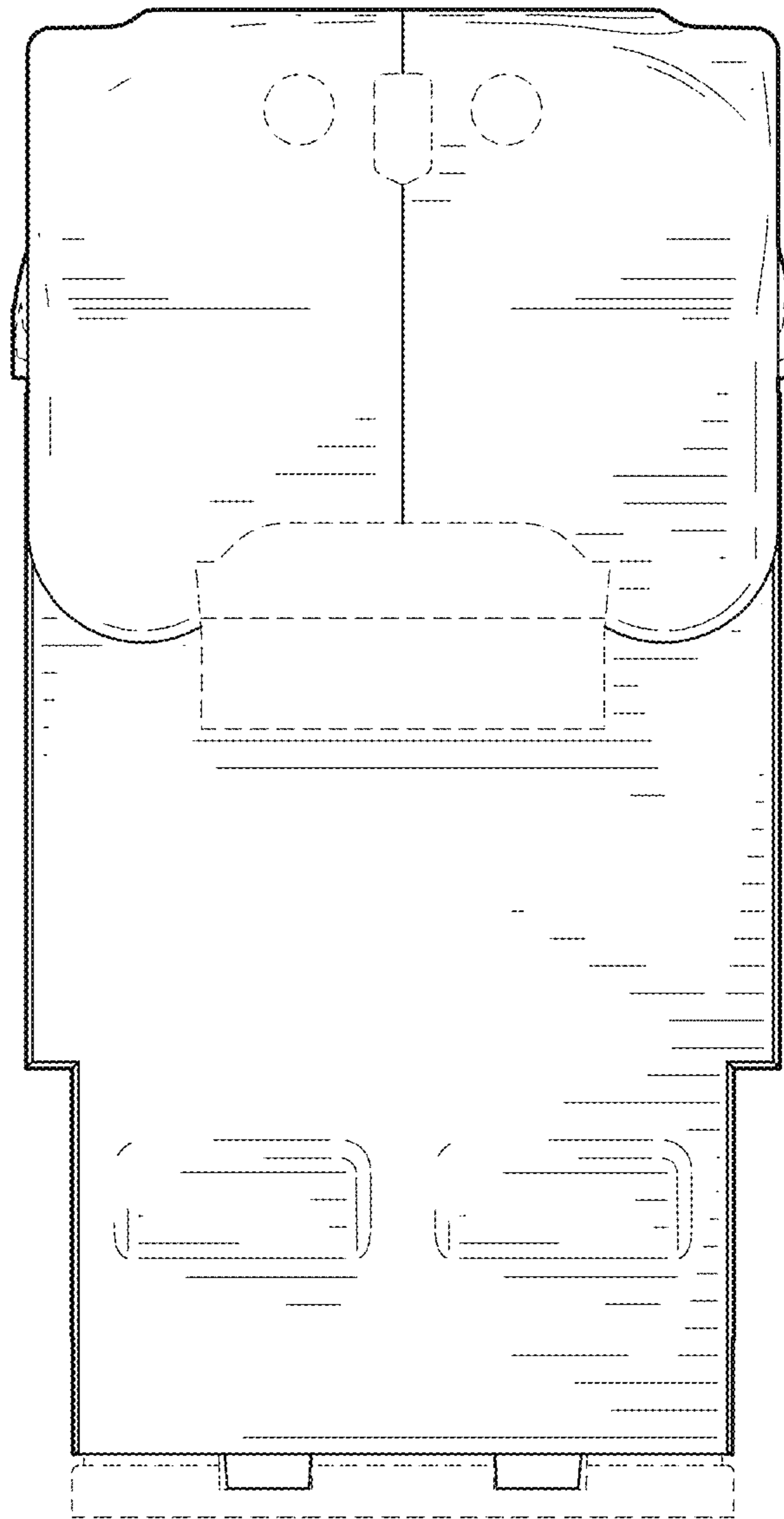


FIG. 7

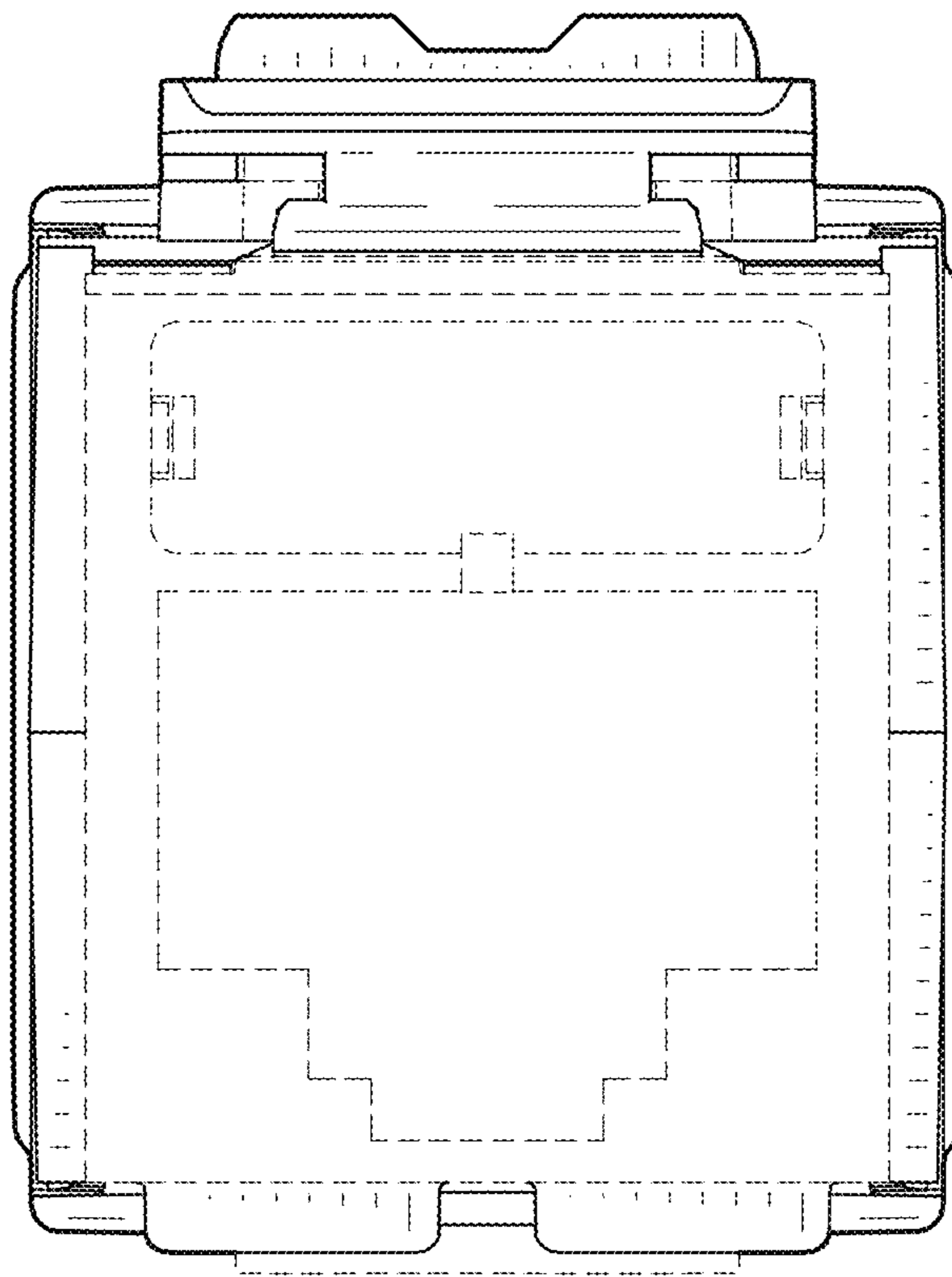


FIG. 8