



US00D818467S

(12) **United States Design Patent**
Son et al.

(10) **Patent No.:** **US D818,467 S**
(45) **Date of Patent:** **** May 22, 2018**

(54) **ELECTRONIC COMMUNICATION DEVICE**

(71) Applicant: **Samsung Electronics Co., Ltd.**,
Suwon-si (KR)

(72) Inventors: **Seounghyun Son**, San Francisco, CA
(US); **Jeff Jones**, San Francisco, CA
(US)

(73) Assignee: **Samsung Electronics Co., Ltd.**,
Suwon-si (KR)

(**) Term: **15 Years**

(21) Appl. No.: **29/592,860**

(22) Filed: **Feb. 3, 2017**

(51) **LOC (11) Cl.** **14-02**

(52) **U.S. Cl.**
USPC **D14/344**

(58) **Field of Classification Search**
USPC D14/344, 218, 138 R, 144, 341, 358,
D14/485-489; D10/30-39, 70, 98;
D11/3, 93-94; D24/167, 169, 186-187;
361/679.03; 379/433.1; D13/108
CPC .. A41D 1/002; G06F 1/04; G06F 1/08; G06F
1/10; G06F 1/14; G06F 1/1626; G06F
1/1628; G06F 1/163; G06F 1/1635; G06F
1/3203; G06Q 20/10; G06Q 20/12; G06Q
20/108; G06Q 20/145; H04B 1/3833;
H04B 1/385; H04B 1/3888; H04M 1/02;
H04M 1/03; H04M 1/04; H04M 1/05;
H04M 1/667; H04M 1/6058; Y02B
60/1217

See application file for complete search history.

(56) **References Cited**

U.S. PATENT DOCUMENTS

1,427,891 A * 9/1922 Ziegler G09F 3/005
224/219
2,031,110 A * 2/1936 King A44C 5/0092
24/326

D267,077 S * 11/1982 Kabaya D10/32
D453,688 S * 2/2002 Bodino D10/32
D664,067 S * 7/2012 Cerrato D11/94
D698,268 S * 1/2014 Mijatovic D10/32
D709,476 S * 7/2014 Park D10/32
D724,468 S * 3/2015 Tan D11/3
D727,759 S * 4/2015 Martinez D10/70
D734,328 S * 7/2015 Song D10/31

(Continued)

OTHER PUBLICATIONS

Fitbit Charge 2: Everything you need to know about the next-gen tracker, posted Sep. 6, 2016, [retrieved Jan. 3, 2018]. Retrieved from Internet, <URL: <https://www.wearable.com/fitbit/fitbit-charge-2-specs-price-release-date-2016> >.*

(Continued)

Primary Examiner — Barbara Fox

Assistant Examiner — Kristin E Reed

(74) *Attorney, Agent, or Firm* — NSIP Law

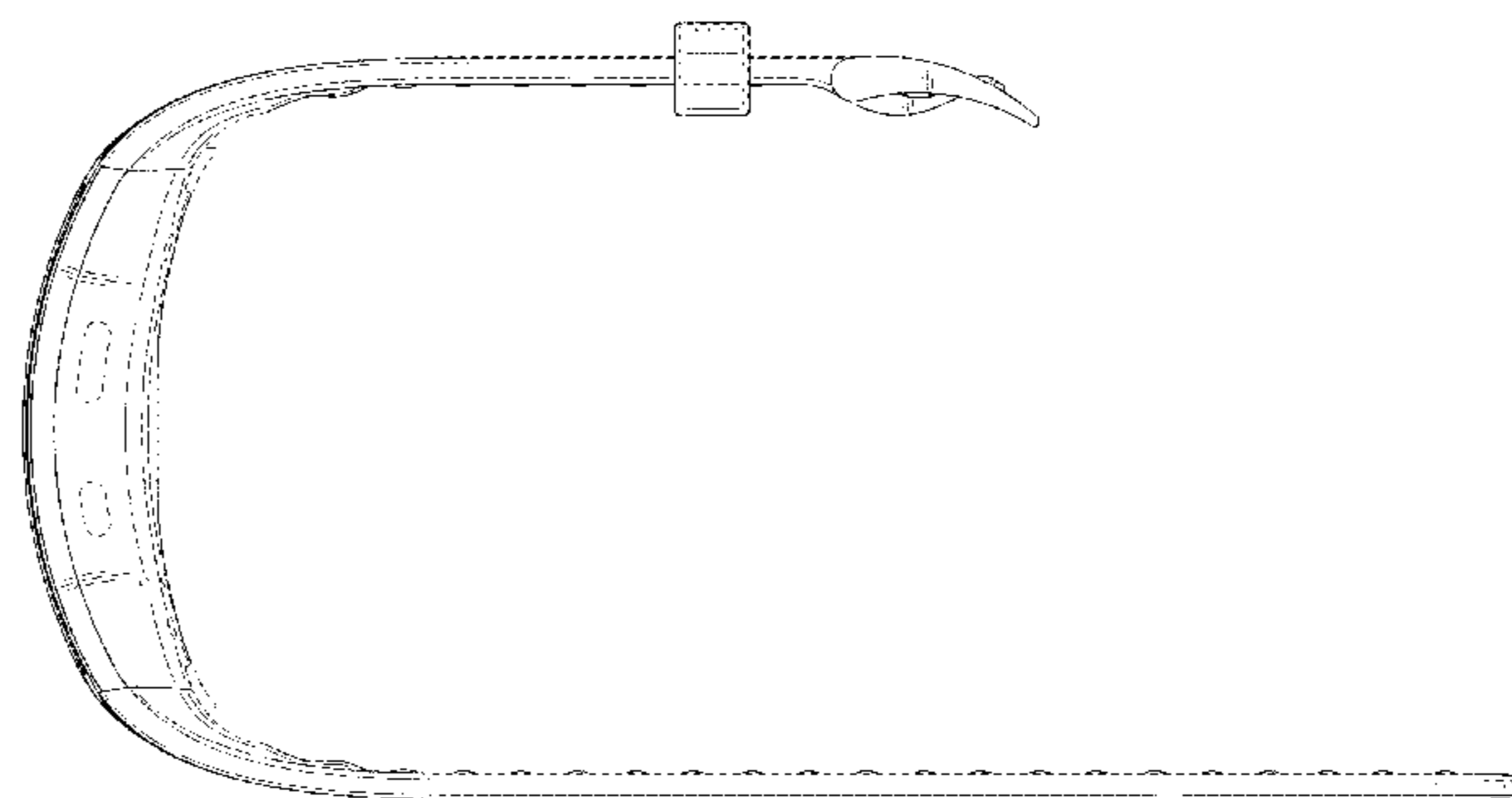
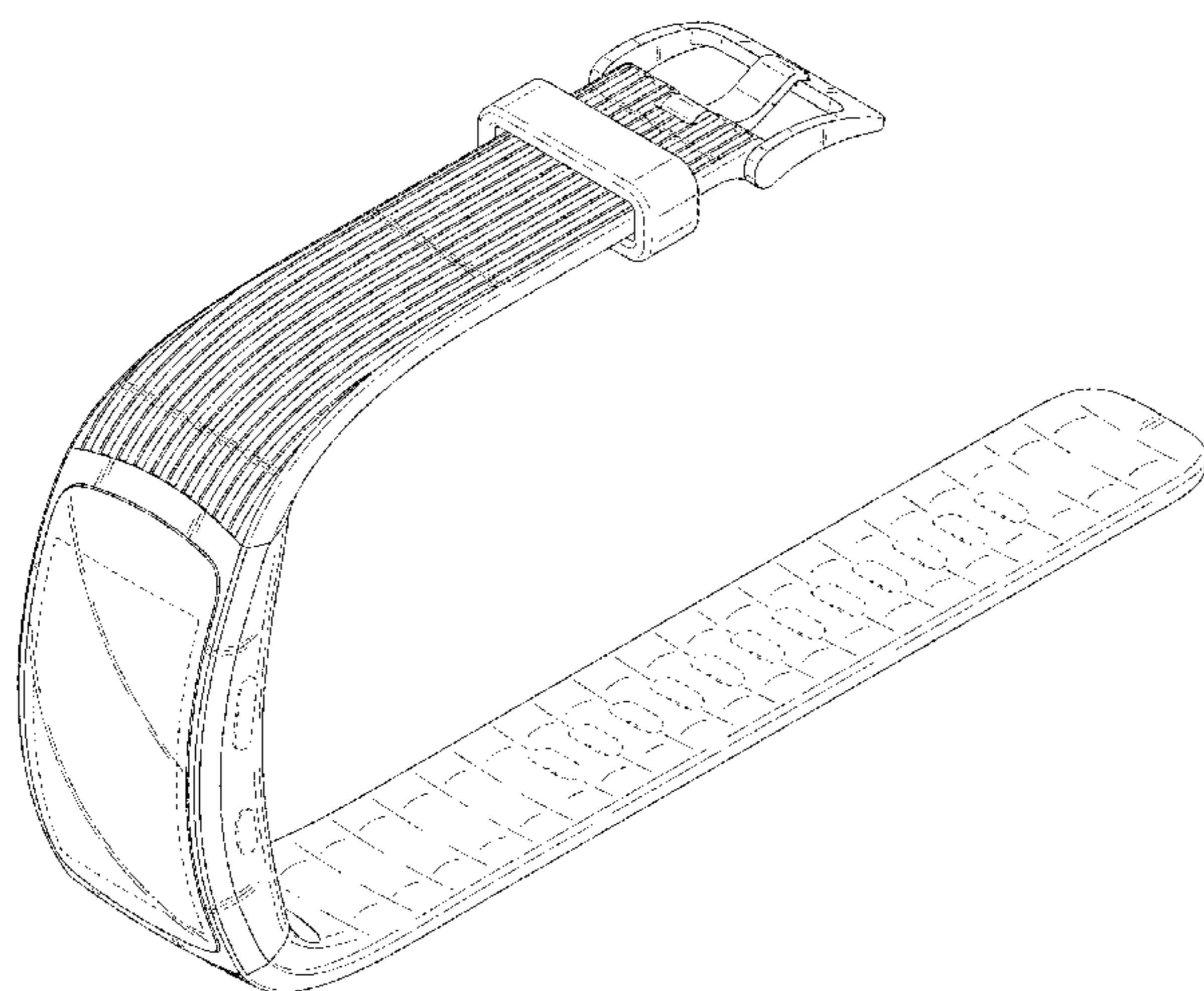
(57) **CLAIM**

We claim the ornamental design for an electronic communication device, as shown and described.

DESCRIPTION

FIG. 1 is a front perspective view of an electronic communication device showing our new design; FIG. 2 is a front elevational view thereof; FIG. 3 is a rear elevational view thereof; FIG. 4 is a left-side elevational view thereof; FIG. 5 is a right-side elevational view thereof; FIG. 6 is a top plan view thereof; FIG. 7 is a bottom plan view thereof; and, FIG. 8 is a rear perspective view thereof. The broken lines in the figures depict portions of the electronic communication device and form no part of the claimed design.

1 Claim, 6 Drawing Sheets



(56)

References Cited

U.S. PATENT DOCUMENTS

D746,477 S * 12/2015 Cha D24/186
D747,714 S * 1/2016 Erbeus D10/32
D749,432 S * 2/2016 Daniel D10/126
D758,900 S * 6/2016 Garner D10/70
9,571,612 B2 * 2/2017 Jochheim H04B 1/385
D780,602 S * 3/2017 Heleniak D10/38
D787,960 S * 5/2017 Park D10/39
D789,929 S * 6/2017 Tan D14/344
9,782,128 B2 * 10/2017 Lee A61L 35/6844

OTHER PUBLICATIONS

TYL-5101 Wireless Activity Tracker, posted unknown, [retrieved Jan. 3, 2018]. Retrieved from Internet, <URL: <http://www.vivitar.com/product/113/health-and-wellness/1221/tyl-5101> >.*

Withings Pulse 02 Activity, Sleep, and Heart Rate, posted Apr. 29, 2014, [retrieved Jan. 3, 2018]. Retrieved from Internet, <URL: https://www.amazon.com/gp/product/B00J8LVJQG/ref=as_li_qf_sp_asin_il_tl?ie=UTF8&camp=1789&creative=9325&creativeASIN=B00J8LVJQG&linkCode=as2&tag=xaybzc-20&linkId=WVOB73QLTYGZUYDD >.*

Garmin to launch the vivosmart HR in Malaysia on Nov. 25, posted Nov. 3, 2015, [retrieved Jan. 3, 2018]. Retrieved from Internet, <URL: <http://www.hardwarezone.com.my/tech-news-garmin-launch-v-vosmart-hr-malaysia-november-25> >.*

* cited by examiner

FIG. 1

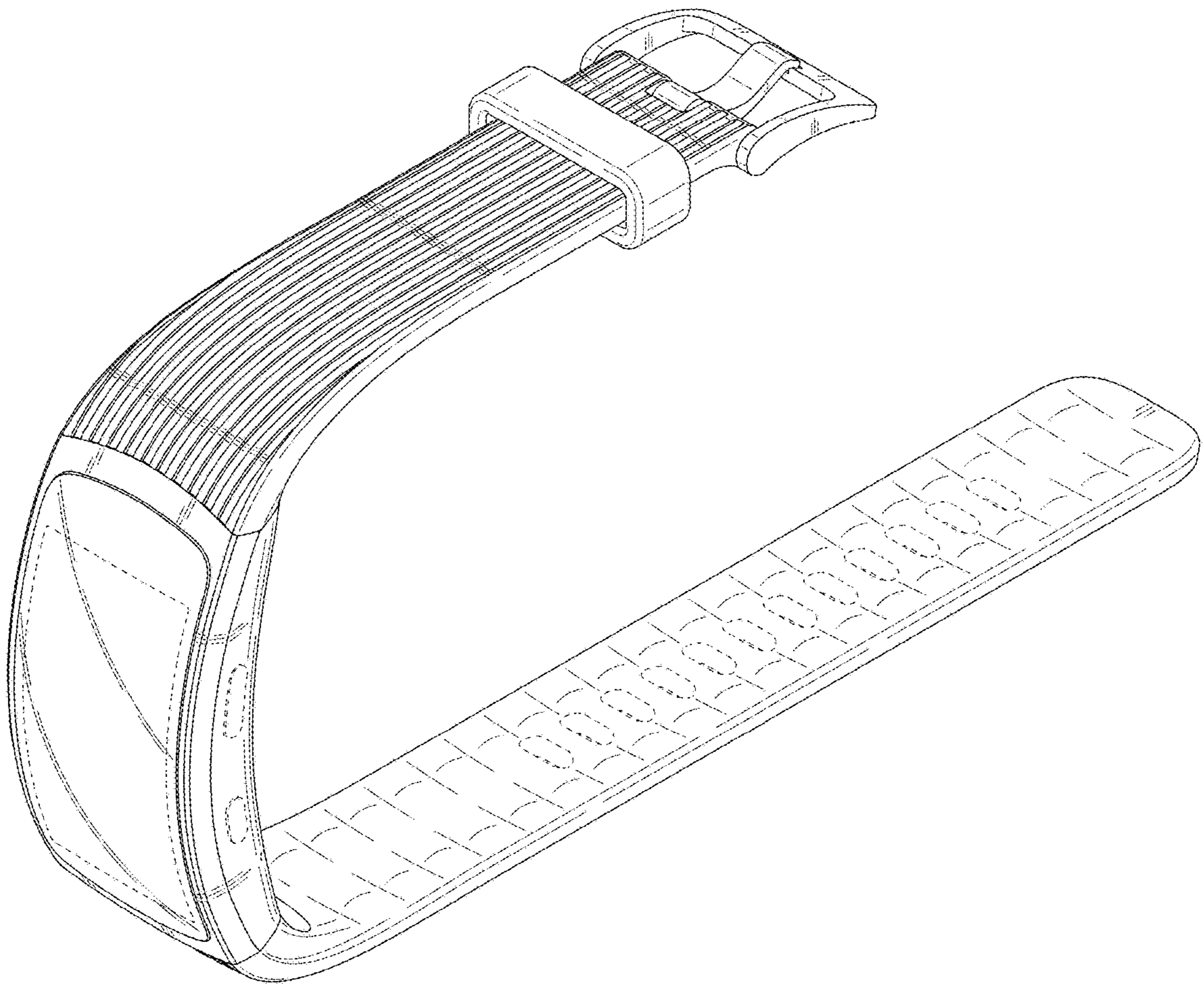


FIG. 2

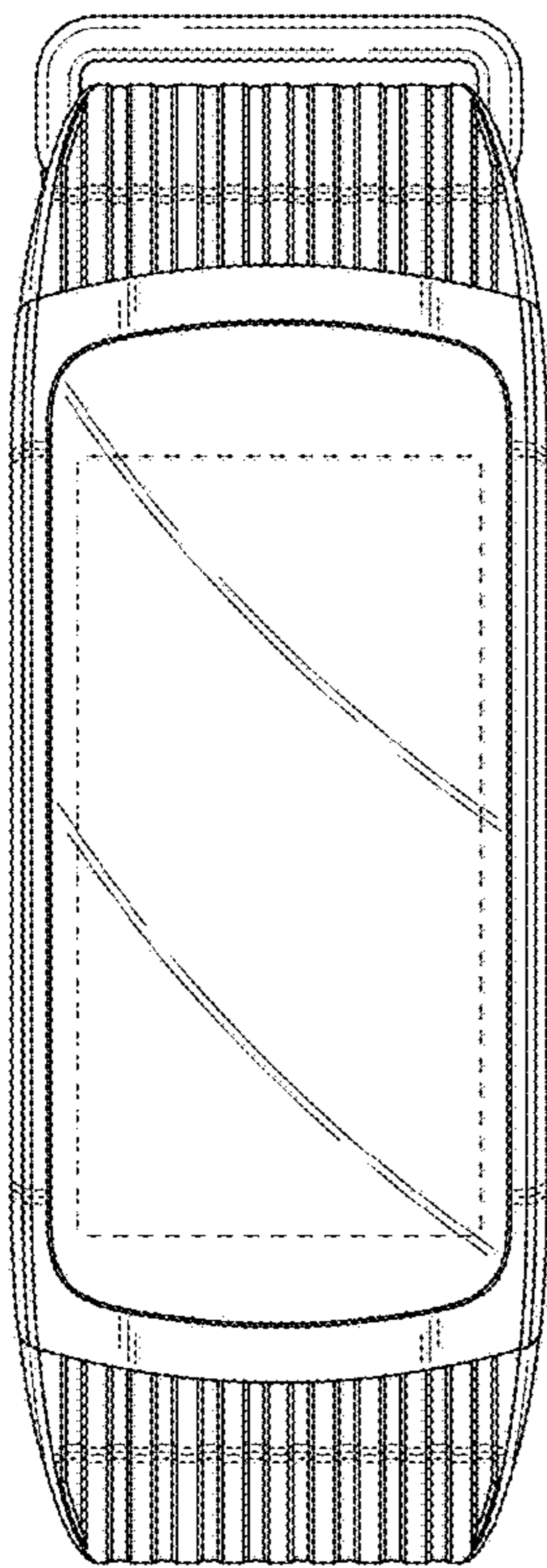


FIG. 3

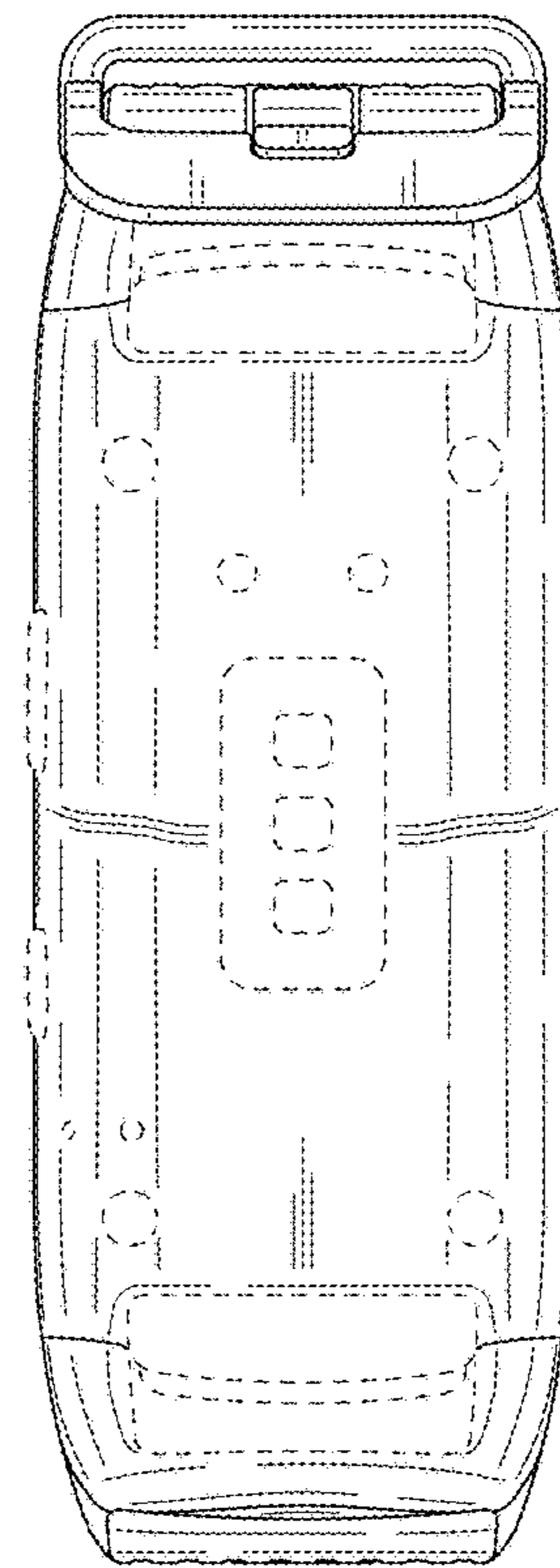


FIG. 4

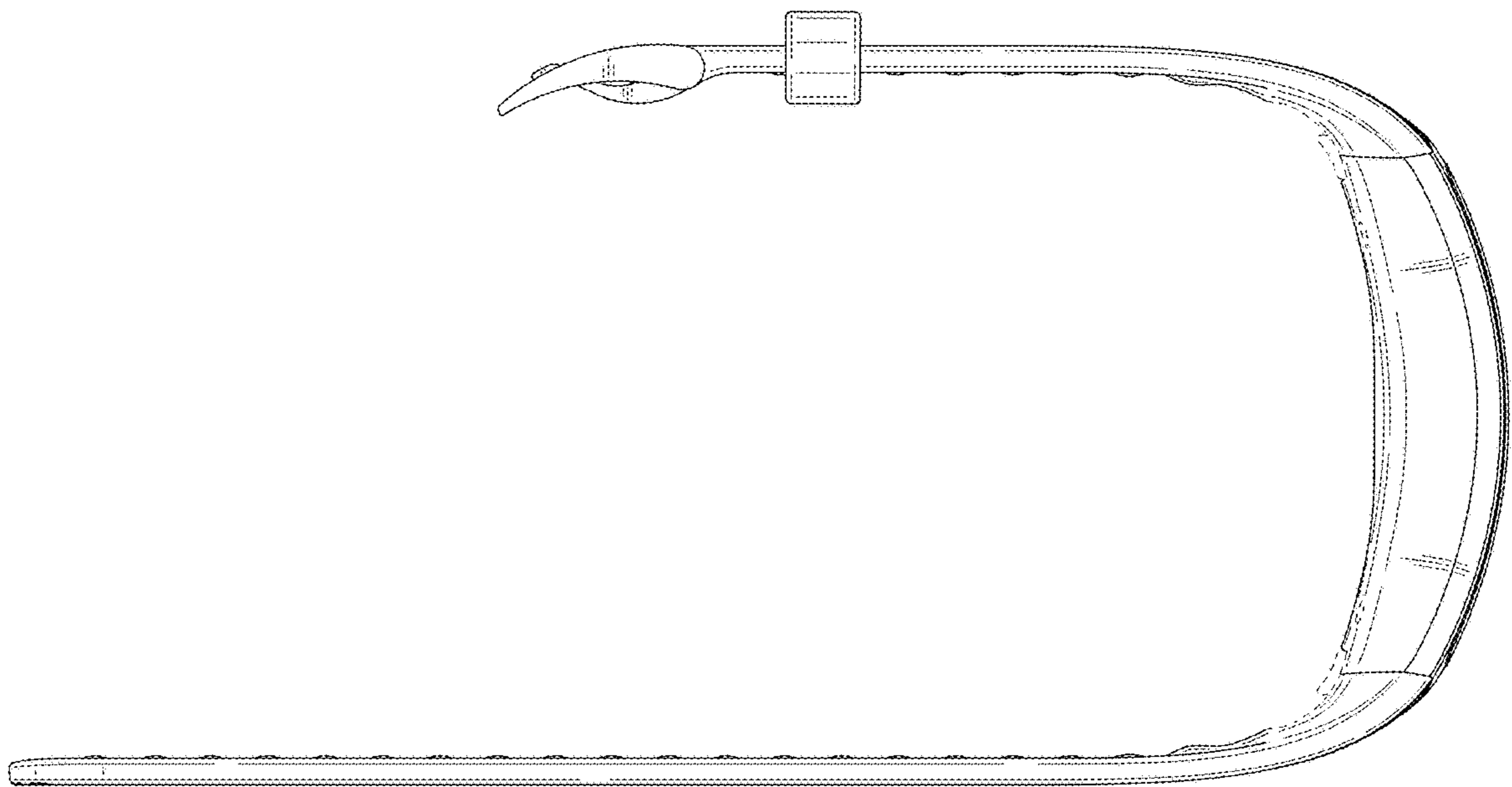


FIG. 5

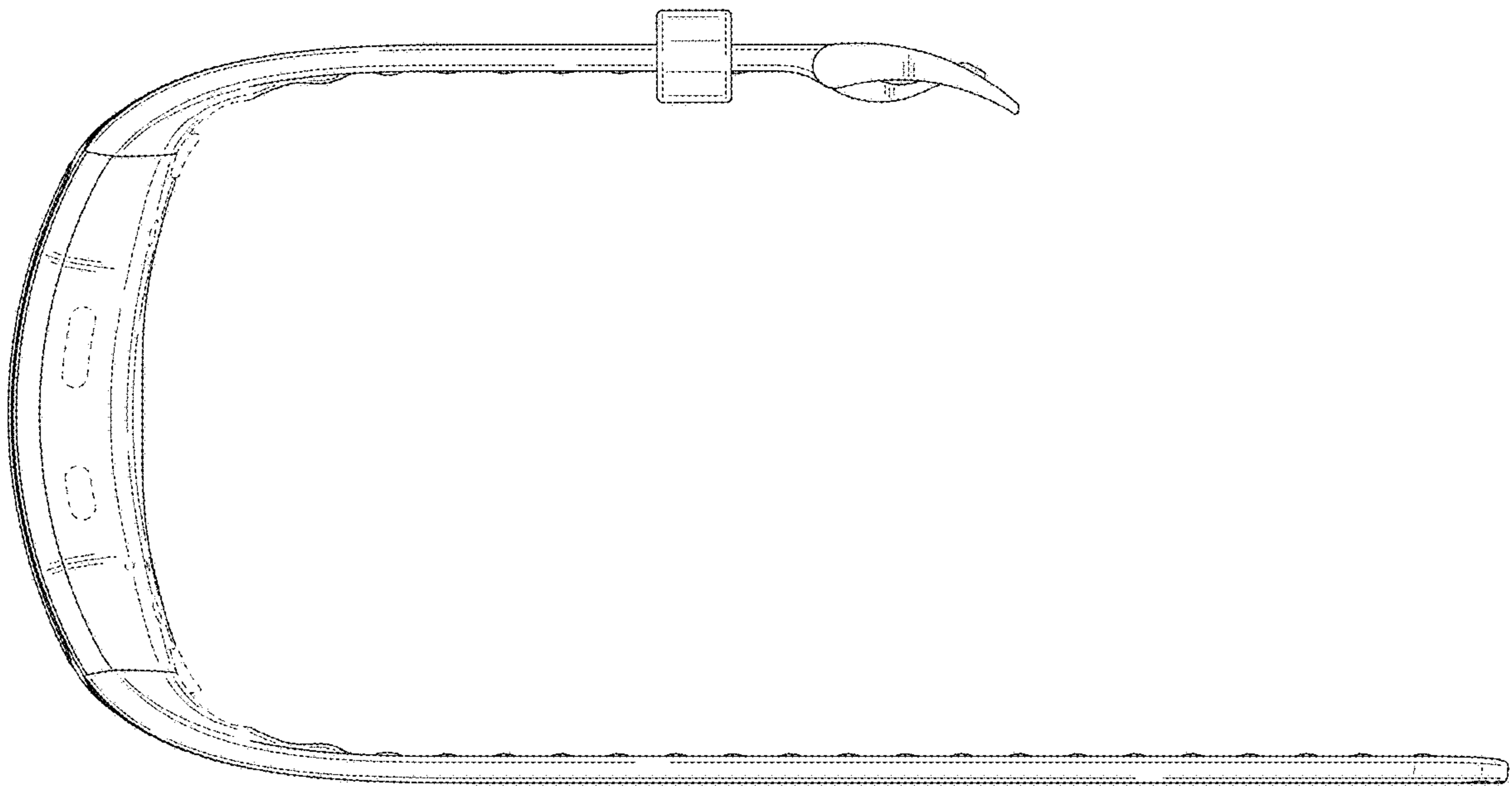


FIG. 6

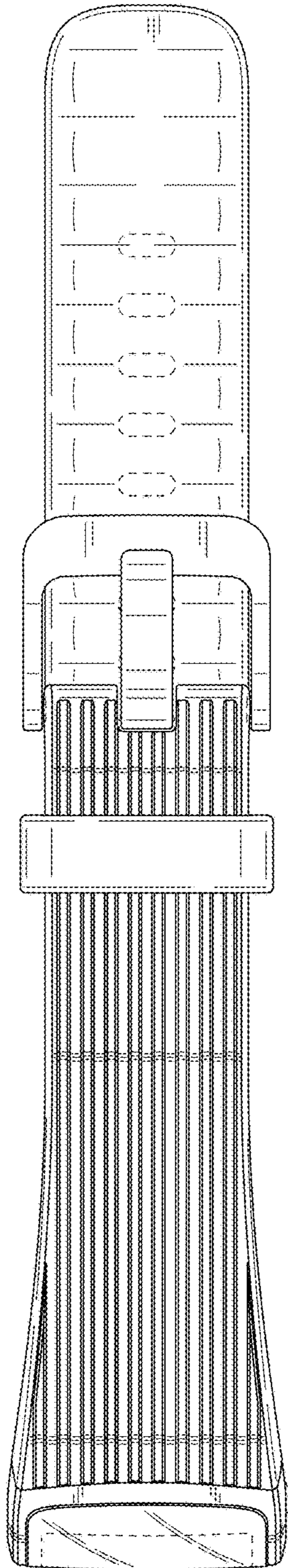


FIG. 7

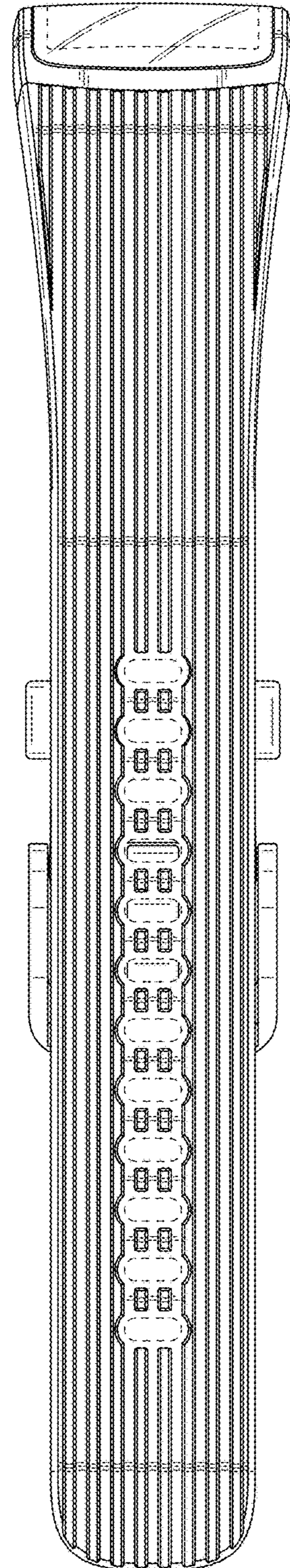


FIG. 8

