



US00D818466S

(12) **United States Design Patent** (10) **Patent No.:** **US D818,466 S**
Chang (45) **Date of Patent:** **** May 22, 2018**

(54) **PORTABLE ELECTRONIC DEVICE**
(71) Applicant: **GETAC TECHNOLOGY CORPORATION**, Hsinchu County (TW)
(72) Inventor: **Chia-Wei Chang**, Taipei (TW)
(73) Assignee: **Getac Technology Corporation**, Hsinchu County (TW)
(**) Term: **15 Years**
(21) Appl. No.: **29/611,915**
(22) Filed: **Jul. 26, 2017**
(51) **LOC (11) Cl.** **14-02**
(52) **U.S. Cl.**
USPC **D14/341**
(58) **Field of Classification Search**
USPC D14/341-347, 315-318, 420, 426, D14/129-130, 496, 138 G, 138 R, D14/138 AA, 248, 250, 203.7, 388-389; D10/104.4, 50, 65, 74; D21/324, 329
CPC G06F 1/1626; G06F 1/1613; G06F 2200/1633; G06F 3/0488; G06F 3/04886; G06F 3/044; G06F 3/0412; G06F 3/0416; H04B 1/3833
See application file for complete search history.

D719,565 S * 12/2014 Hirayama D14/341
D743,392 S * 11/2015 Ju D14/341
D746,278 S * 12/2015 Chen D14/341
D767,564 S * 9/2016 Li D14/341
D781,284 S * 3/2017 Suzuki D14/341
D783,604 S * 4/2017 Wesolek D14/341
D801,976 S * 11/2017 Li D14/440
D803,220 S * 11/2017 Li D14/440
D808,918 S * 1/2018 Wei D14/138 G

OTHER PUBLICATIONS

Sealed for Safety, announced 2017 [online], [retrieved Mar. 8, 2017]. Available from Internet, URL: <<http://en.getac.com/tablets/ex80/features.html>>.*
Getac EX80 Fully Rugged Tablet, announced Dec. 17, 2017 [online], [retrieved Mar. 8, 2017]. Available from Internet, URL: <https://www.youtube.com/watch?time_continue=37&v=KIWWMfhdcjg>.*

* cited by examiner

Primary Examiner — Barbara Fox
Assistant Examiner — Dana K Weiland

(57) **CLAIM**

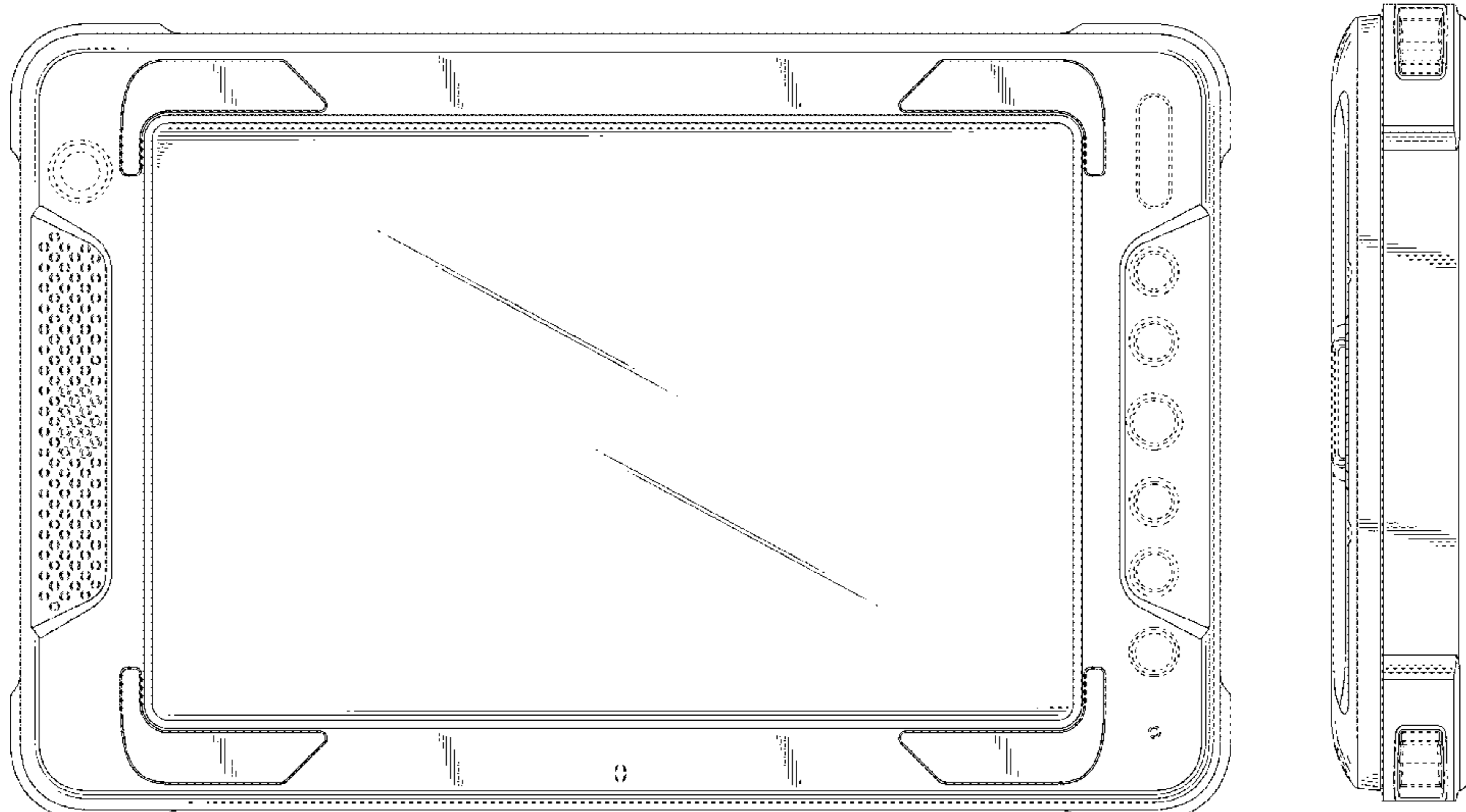
The ornamental design for a portable electronic device, as shown and described.

DESCRIPTION

FIG. 1 is a perspective view of a portable electronic device showing the claimed design;
FIG. 2 is a front elevational view thereof;
FIG. 3 is a rear elevational view thereof;
FIG. 4 is a left side elevational view thereof;
FIG. 5 is a right side elevational view thereof;
FIG. 6 is a top plan view thereof; and,
FIG. 7 is a bottom plan view thereof.
The broken lines shown in the drawings depict portions of the portable electronic device that form no part of the claimed design.

1 Claim, 7 Drawing Sheets

(56) **References Cited**
U.S. PATENT DOCUMENTS
D533,552 S * 12/2006 Kuroiwa D14/346
D601,139 S * 9/2009 Huang D14/341
D608,746 S * 1/2010 Tu D14/126
D627,780 S * 11/2010 Kuroda D14/346
D672,767 S * 12/2012 Yoneya D14/341
D676,043 S * 2/2013 Hirose D14/341
D694,751 S * 12/2013 Ju D14/341
D701,203 S * 3/2014 Katori D14/341
D703,665 S * 4/2014 Suzuki D14/341
D719,151 S * 12/2014 Hirayama D14/341



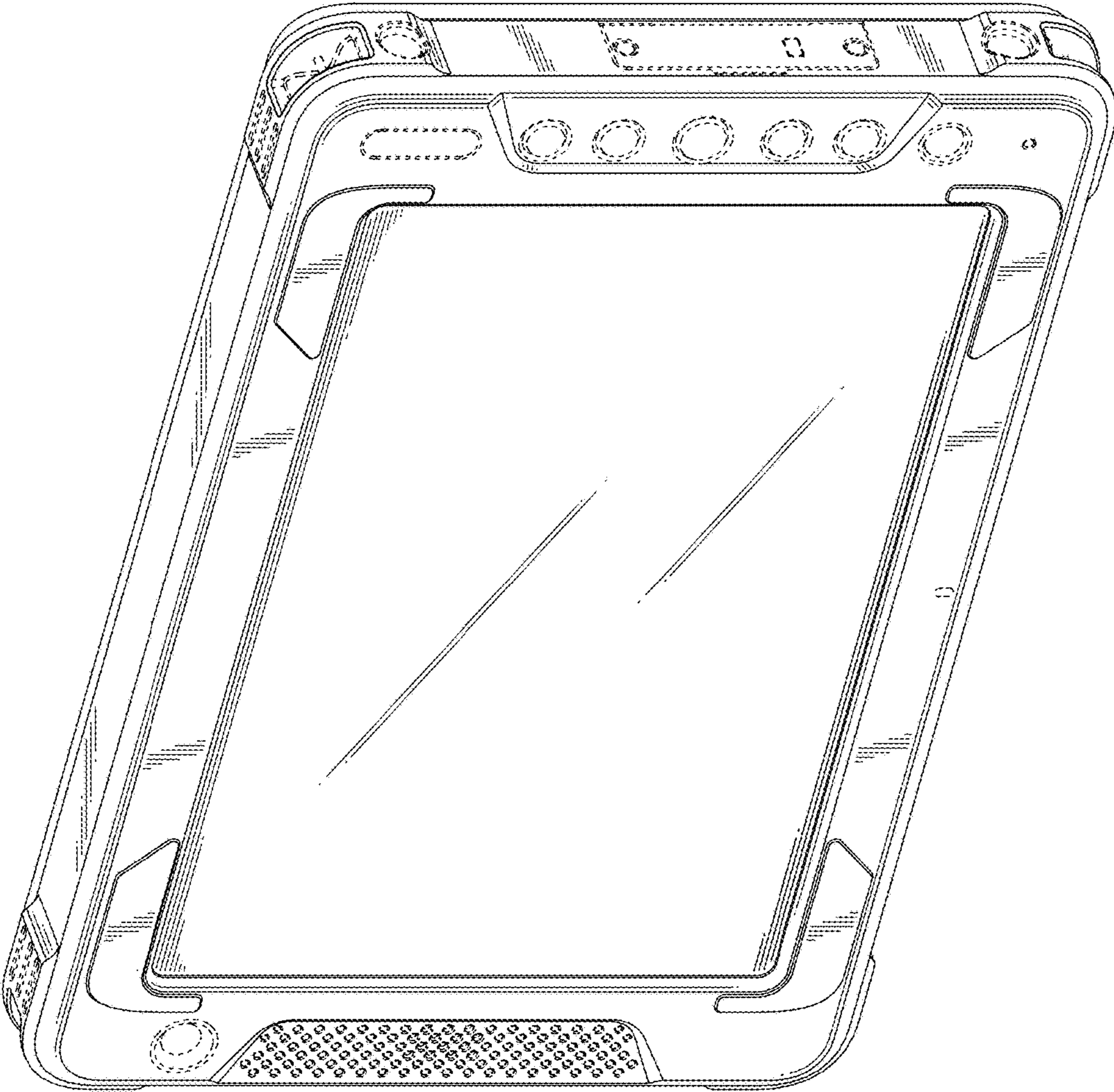


FIG. 1

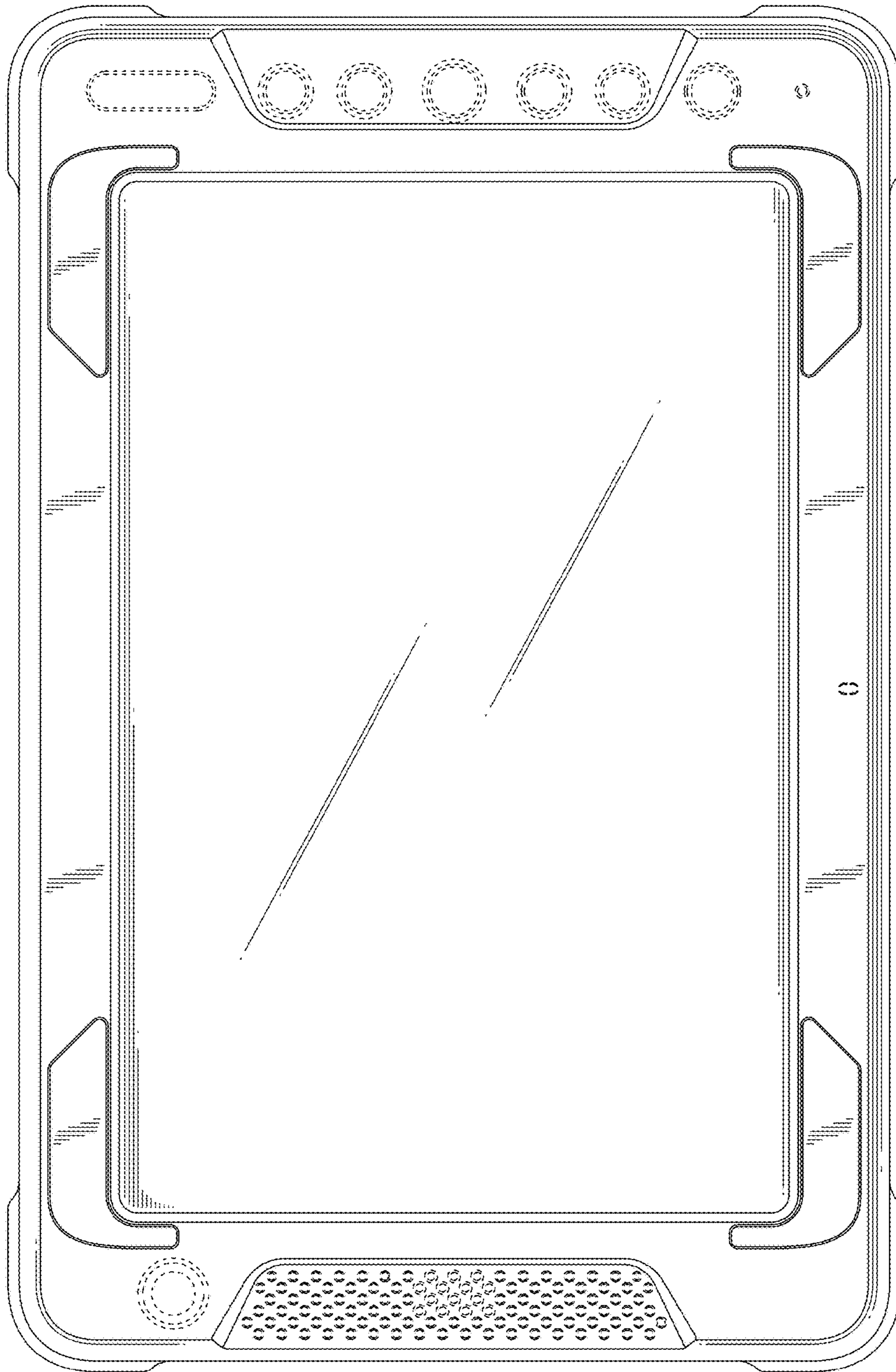


FIG. 2

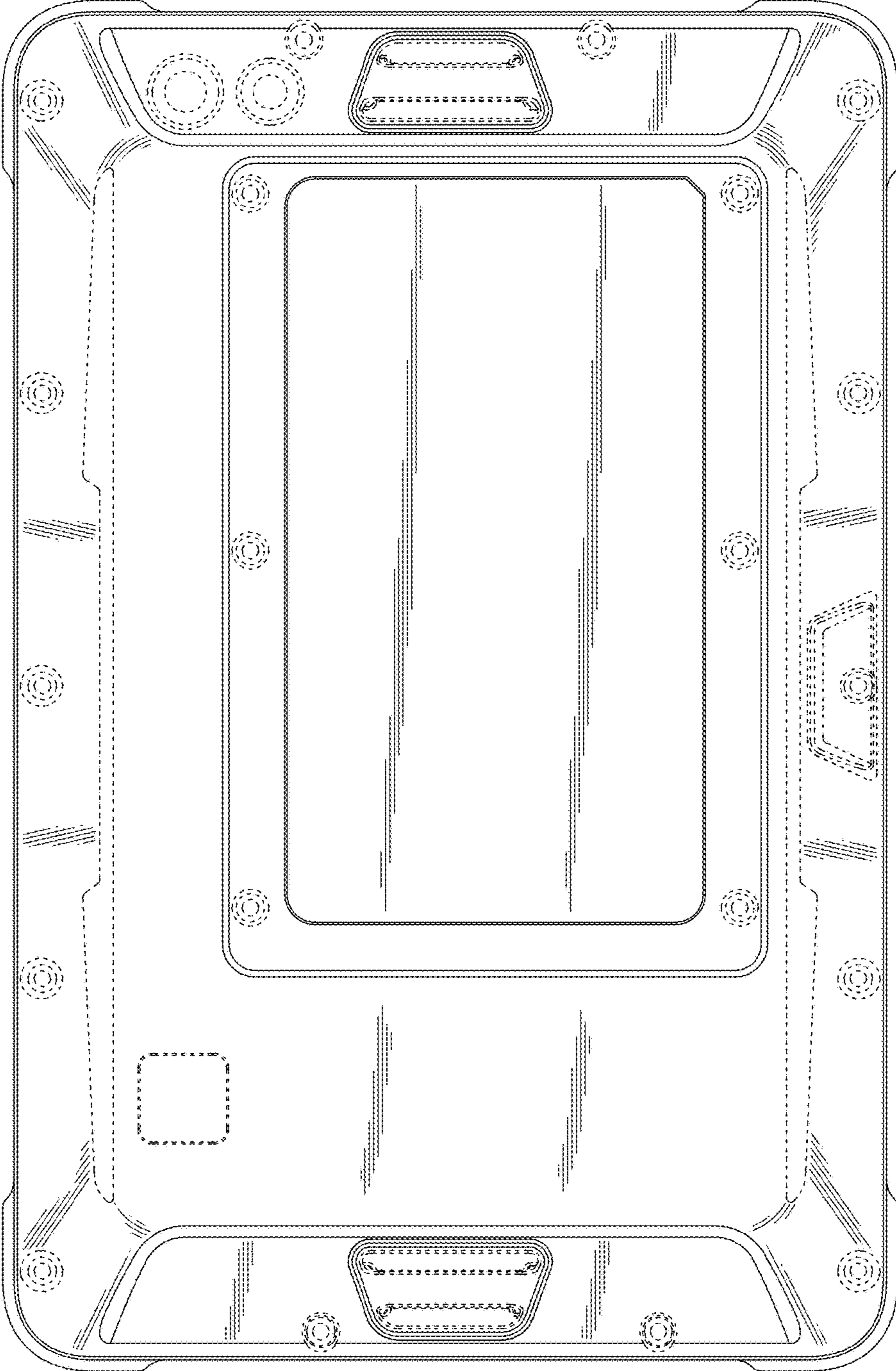


FIG. 3

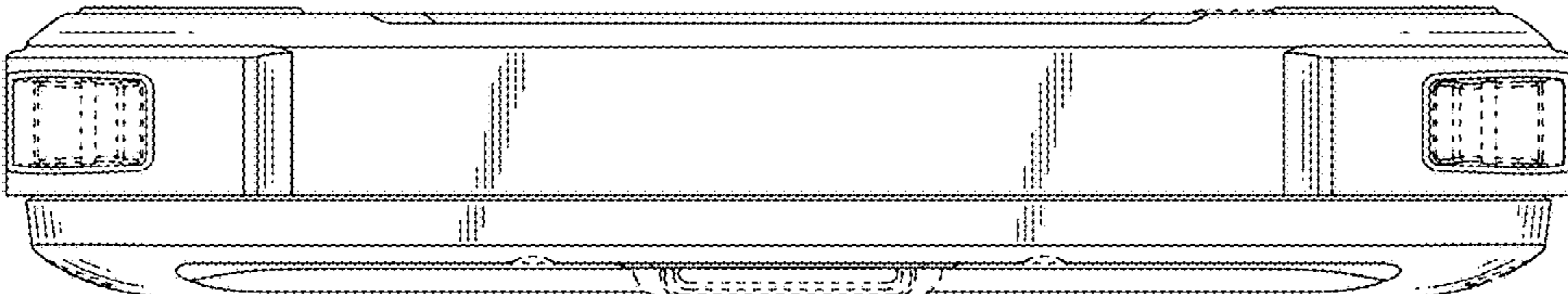


FIG. 4

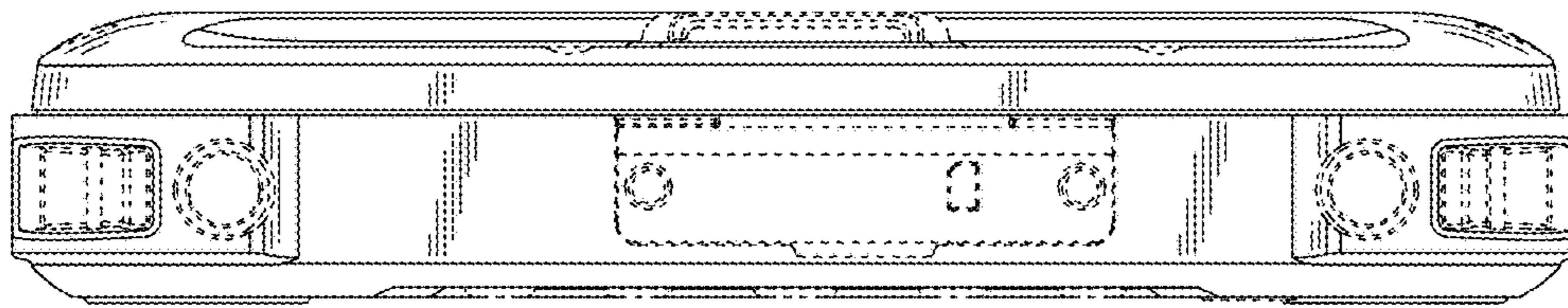


FIG. 5

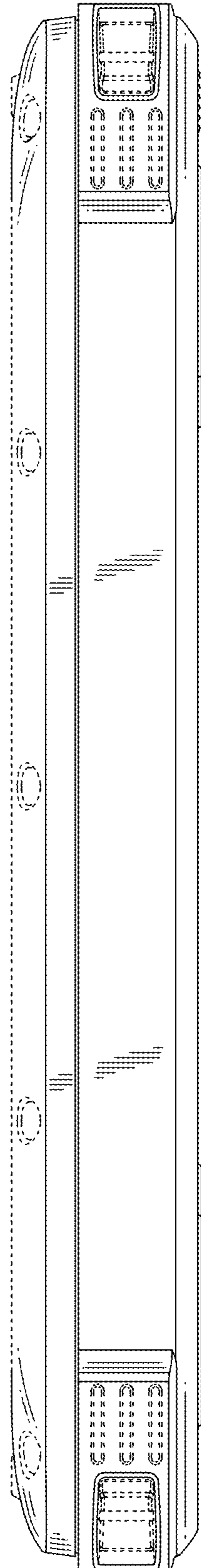


FIG. 6

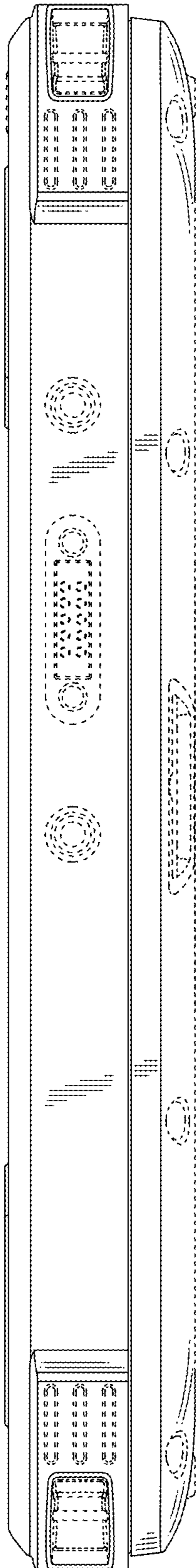


FIG. 7