



US00D818464S

(12) **United States Design Patent** (10) **Patent No.:** **US D818,464 S**
Berini (45) **Date of Patent:** **** May 22, 2018**

(54) **KIOSK**

(71) Applicant: **NextgenID, Inc.**, San Antonio, TX (US)

(72) Inventor: **Dario John Berini**, Ashburn, VA (US)

(73) Assignee: **NextgenID, Inc.**, San Antonio, TX (US)

(**) Term: **15 Years**

(21) Appl. No.: **29/588,562**

(22) Filed: **Dec. 21, 2016**

Related U.S. Application Data

(60) Continuation of application No. 29/566,270, filed on May 27, 2016, now Pat. No. Des. 742,870, and a division of application No. 29/487,791, filed on Apr. 11, 2014, now Pat. No. Des. 742,870, and a division of application No. 29/541,378, filed on Oct. 2, 2015, now Pat. No. Des. 760,711, and a continuation of application No. 29/566,270, filed on May 27, 2016, now Pat. No. Des. 778,276.

(51) **LOC (11) Cl.** **14-02**

(52) **U.S. Cl.**
USPC **D14/307**

(58) **Field of Classification Search**
USPC D14/302-307, 900-902; D13/163;
D20/10; D21/332, 325, 369, 370;
D99/28; D6/397, 466; 194/206;
361/679.01, 679.02, 679.04, 679.21,
361/679.57, 725
CPC G06Q 20/18; G06Q 20/10; G06Q 20/123;
G06Q 20/20; G06Q 30/02; G06Q 30/06;
A47F 9/047

See application file for complete search history.

(56) **References Cited**

U.S. PATENT DOCUMENTS

4,614,378 A 9/1986 Picou
5,375,168 A 12/1994 Kudelski
6,012,049 A 1/2000 Kawan
(Continued)

FOREIGN PATENT DOCUMENTS

EP 1744264 1/2007
JP 2007/132678 5/2007
(Continued)

OTHER PUBLICATIONS

“CBES Multimodal Biometric Enrollment Station” 3M Cogent, Inc. [online], [retrieved on Dec. 11, 2012]. Retrieved from the Internet: <URL: http://www.cogentsystems.com/downloads/CBES_sm.pdf>.

(Continued)

Primary Examiner — Austin Murphy
(74) *Attorney, Agent, or Firm* — Nixon Peabody LLP

(57) **CLAIM**

The ornamental design for kiosk, as shown and described.

DESCRIPTION

FIG. 1 is a perspective view of a kiosk showing our new design.

FIG. 2 is a front elevation view of the kiosk of FIG. 1.

FIG. 3 is a back elevation view of the kiosk of FIG. 1.

FIG. 4 is a first side elevation view of the kiosk of FIG. 1.

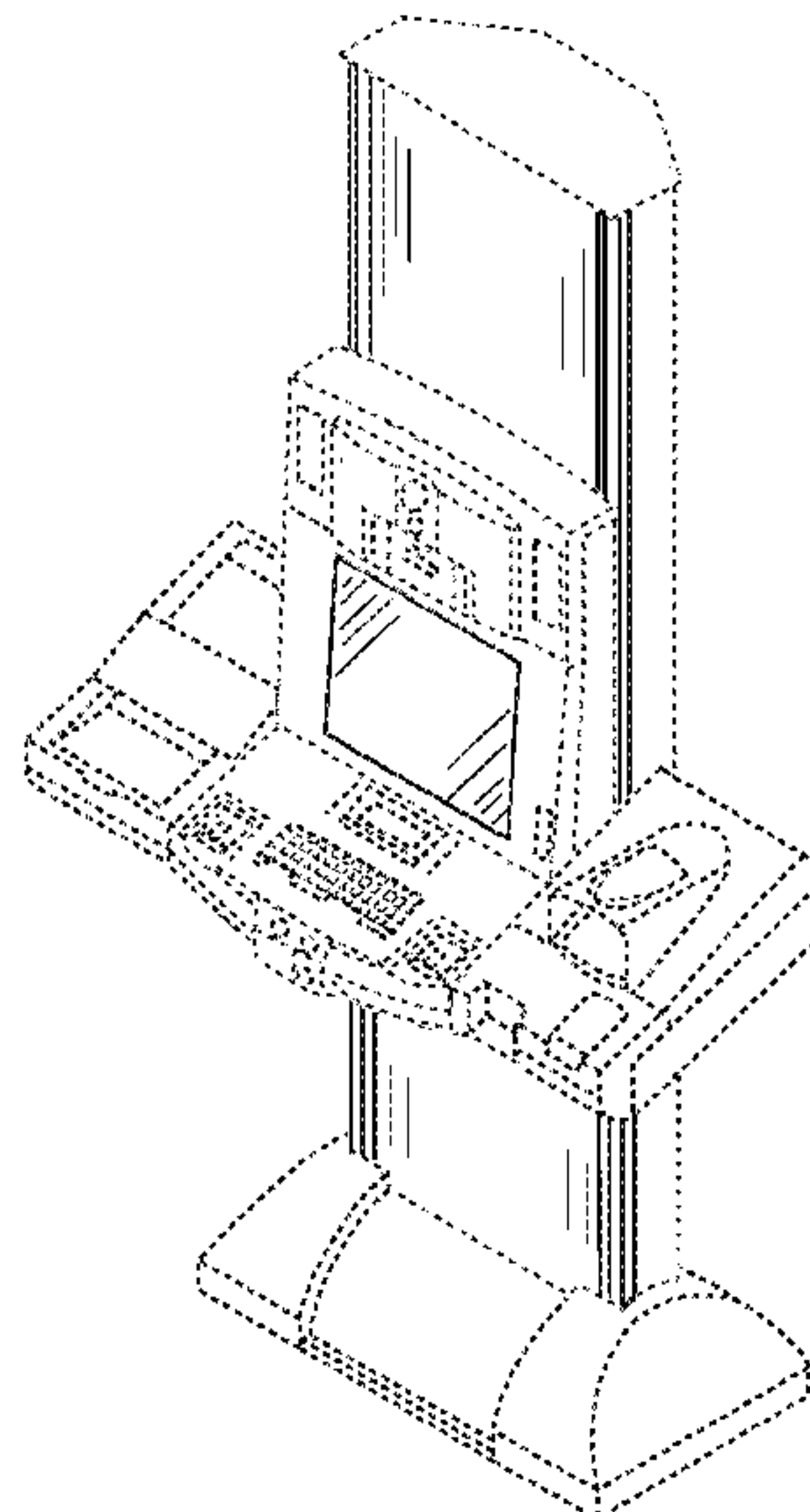
FIG. 5 is a second side elevation view of the kiosk of FIG. 1.

FIG. 6 is a top plan view of the kiosk of FIG. 1; and,

FIG. 7 is a bottom plan view of the kiosk of FIG. 1.

The portions of the drawings shown in broken lines represent environmental structure and form no part of the claimed design.

1 Claim, 4 Drawing Sheets



(56)

References Cited

U.S. PATENT DOCUMENTS

6,694,433 B1 2/2004 Kolouch
 7,079,653 B2 7/2006 Scheidt et al.
 7,095,852 B2 8/2006 Wack et al.
 7,212,632 B2 5/2007 Scheidt et al.
 7,278,026 B2 10/2007 McGowan
 D573,986 S 7/2008 Sasaki
 D590,387 S 4/2009 Chen
 D591,078 S 4/2009 Singler
 D605,189 S 12/2009 Kuroda
 D605,191 S 12/2009 Kuroda
 D617,575 S 6/2010 Dreyer
 7,738,660 B2 6/2010 Scheidt et al.
 7,817,800 B2 10/2010 Wack et al.
 D628,742 S 12/2010 Hsu
 7,974,410 B2 7/2011 Scheidt et al.
 8,077,870 B2 12/2011 Wack et al.
 8,233,785 B1 7/2012 Surma
 D671,595 S 11/2012 O'Hara
 D695,285 S 12/2013 Smith
 D695,733 S 12/2013 Damhuis
 D702,675 S 4/2014 Jones
 D707,012 S 6/2014 Swaine
 D707,674 S 6/2014 Daniel
 D708,676 S 7/2014 Ballman
 D717,784 S 11/2014 Collins
 D721,695 S 1/2015 Birgeoglu
 D721,696 S 1/2015 Birgeoglu
 D723,025 S 2/2015 Birgeoglu
 D723,538 S 3/2015 Catoe et al.
 D726,706 S 4/2015 Kraft et al.
 D727,307 S * 4/2015 Kraft D14/307
 D732,520 S 6/2015 Themann
 D732,522 S 6/2015 Chadbourne et al.
 D742,870 S * 11/2015 Berini G06F 21/32
 D14/307
 D743,956 S 11/2015 Kraft
 D751,061 S * 3/2016 Berini D14/307
 D752,032 S 3/2016 Taylor
 D760,711 S * 7/2016 Berini D14/307
 D762,635 S 8/2016 Szeredi et al.
 D769,864 S * 10/2016 Hoffmann D14/307
 D778,276 S * 2/2017 Berini D14/307
 D788,098 S * 5/2017 Thornton D14/307
 D795,242 S * 8/2017 Birgeoglu D14/307
 D799,470 S * 10/2017 Brown D14/307
 D799,471 S * 10/2017 Brown D14/307
 D800,715 S * 10/2017 Kane D14/307
 D805,065 S * 12/2017 Taylor D14/307
 2001/0037301 A1 11/2001 Shepley
 2001/0054148 A1 12/2001 Hoornaert
 2002/0019941 A1 2/2002 Chan
 2002/0026413 A1 2/2002 Wu
 2002/0046086 A1 4/2002 Pletz
 2002/0105665 A1 8/2002 Wasilewski
 2002/0154344 A1 10/2002 Beeman
 2003/0001010 A1 1/2003 Schmidt
 2004/0182921 A1 9/2004 Dickson
 2005/0174613 A1 8/2005 Tan

2005/0229007 A1 10/2005 Bolle et al.
 2006/0073883 A1 4/2006 Franks
 2006/0213970 A1 9/2006 Trajkovic
 2007/0143341 A1 6/2007 Brownell
 2008/0296374 A1 12/2008 Gonen
 2009/0034803 A1 2/2009 Matos
 2009/0130905 A1 5/2009 Wang
 2009/0192938 A1 7/2009 Amos
 2009/0235086 A1 9/2009 Lai
 2009/0289104 A1 11/2009 Yoneda
 2010/0290668 A1 11/2010 Friedman et al.
 2010/0329301 A1 12/2010 Pang
 2011/0025074 A1 2/2011 Reznar
 2011/0178930 A1 7/2011 Scheidt et al.
 2011/0192681 A1 8/2011 Johnson
 2012/0087643 A1 4/2012 Paramadilok
 2012/0293642 A1 11/2012 Berini
 2013/0215275 A1 8/2013 Berini
 2013/0226632 A1 8/2013 Gilbert

FOREIGN PATENT DOCUMENTS

JP 2009/175745 8/2009
 WO WO 99/30267 6/1999

OTHER PUBLICATIONS

“Law Enforcement Product Overview.” 3M Cogent, Inc. [online], [retrieved on Dec. 11, 2012]. Retrieved from the Internet: <URL: http://www.cogentsystems.com/downloads/LE_Overview.pdf>.
 “VB E-Pass® Kiosk” Vision-Box [online], [retrieved on Dec. 11, 2012]. Retrieved from the Internet: URL: <http://www.vision-box.com/solutions/vbepass/>.
 “VB E-Pass® Desktop” Vision-Box [online], [retrieved on Dec. 11, 2012]. Retrieved from the Internet: <URL: <http://www.vision-box.com/solutions/Vbepassdesktop/>>.
 “VB E-Pass® Portable” Vision-Box [online], [retrieved on Dec. 11, 2012]. Retrieved from the Internet: <URL: <http://www.vision-box.com/solutions/mobile-vbepass/>>.
 “VB E-Pass® Dispenser” Vision-Box [online], [retrieved on Dec. 11, 2012]. Retrieved from the Internet; <URL: <http://www.vision-box.com/solutions/vb-i-dispenser/>>.
 “VB I-Match” Vision-Box [online], [retrieved on Dec. 11, 2012]. Retrieved from the Internet: <URL: <http://www.vision-box.com/solutions/vb-i-match/>>.
 “VB Sentryspider” Vision-Box [online]. [retrieved on Dec. 11, 2012]. Retrieved from the Internet: <URL: <http://www.vision-box.com/solutions/vb-sentryspider/>>.
 International Search Report dated Nov. 23, 2012 which issued in International Patent Application No. PCT/US2012/038675 (5 pages).
 Written Opinion dated Nov. 23, 2012 which issued in International Patent Application No. PCT/US2012/038675 (5 pages).
 Michaels, Ross J., Kevin C. Mangold, Matthew L. Aronoff, Kayee Kwong, and Karen Marshall, Specification for WS-Biometric Devices (WS-BD). Mar. 14, 2012. 1-123.

* cited by examiner

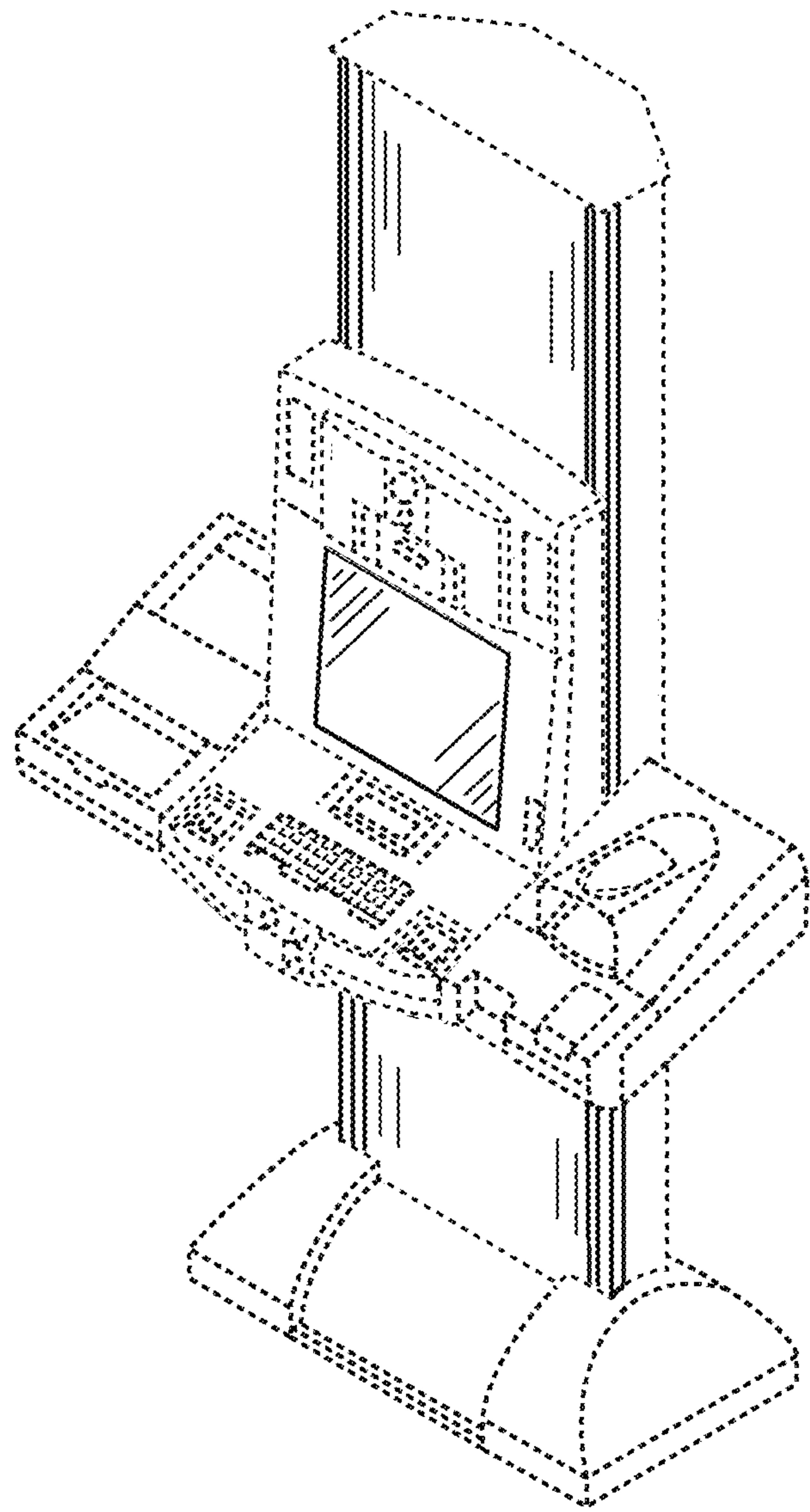


FIG. 1

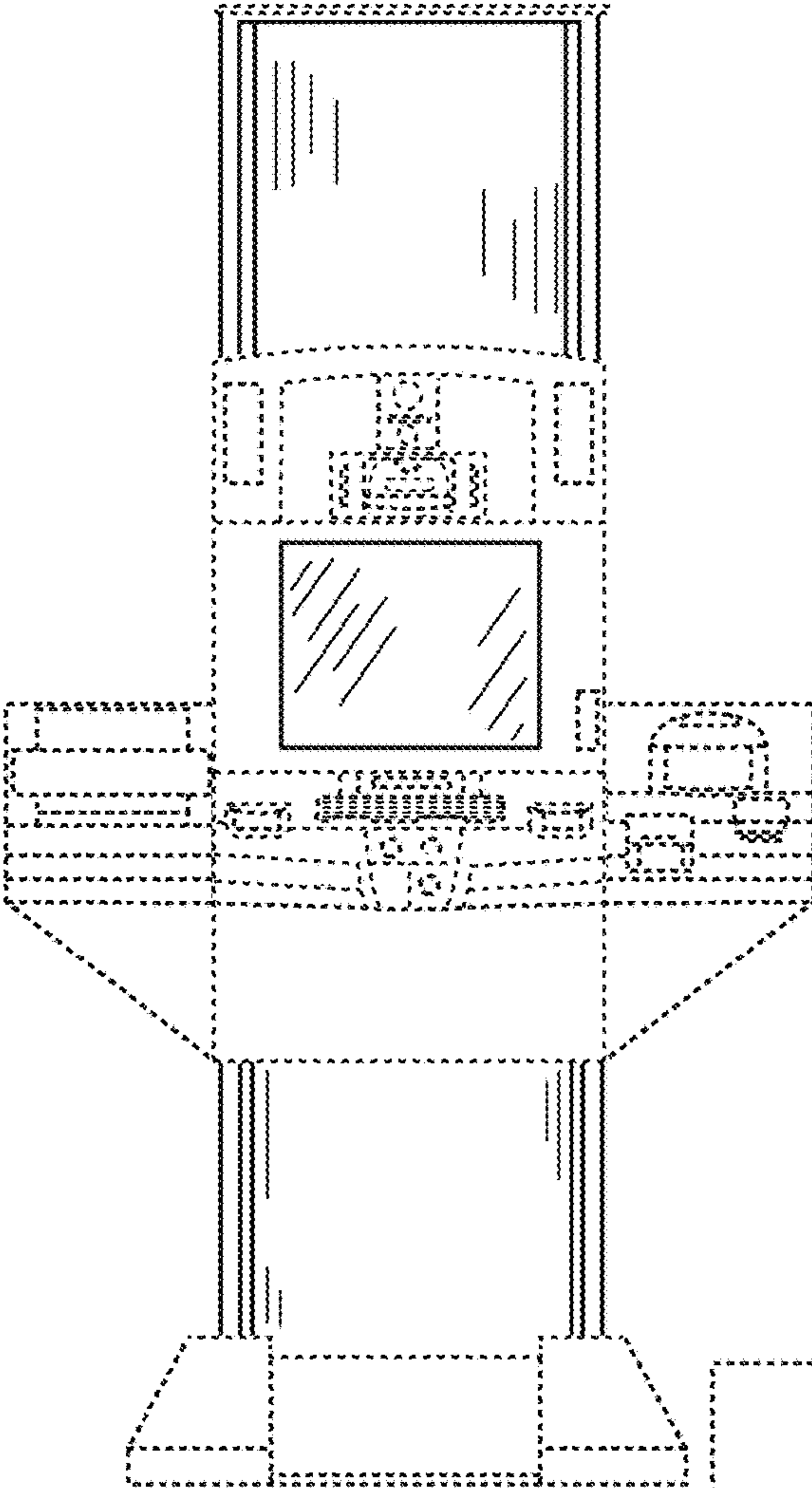


FIG. 2

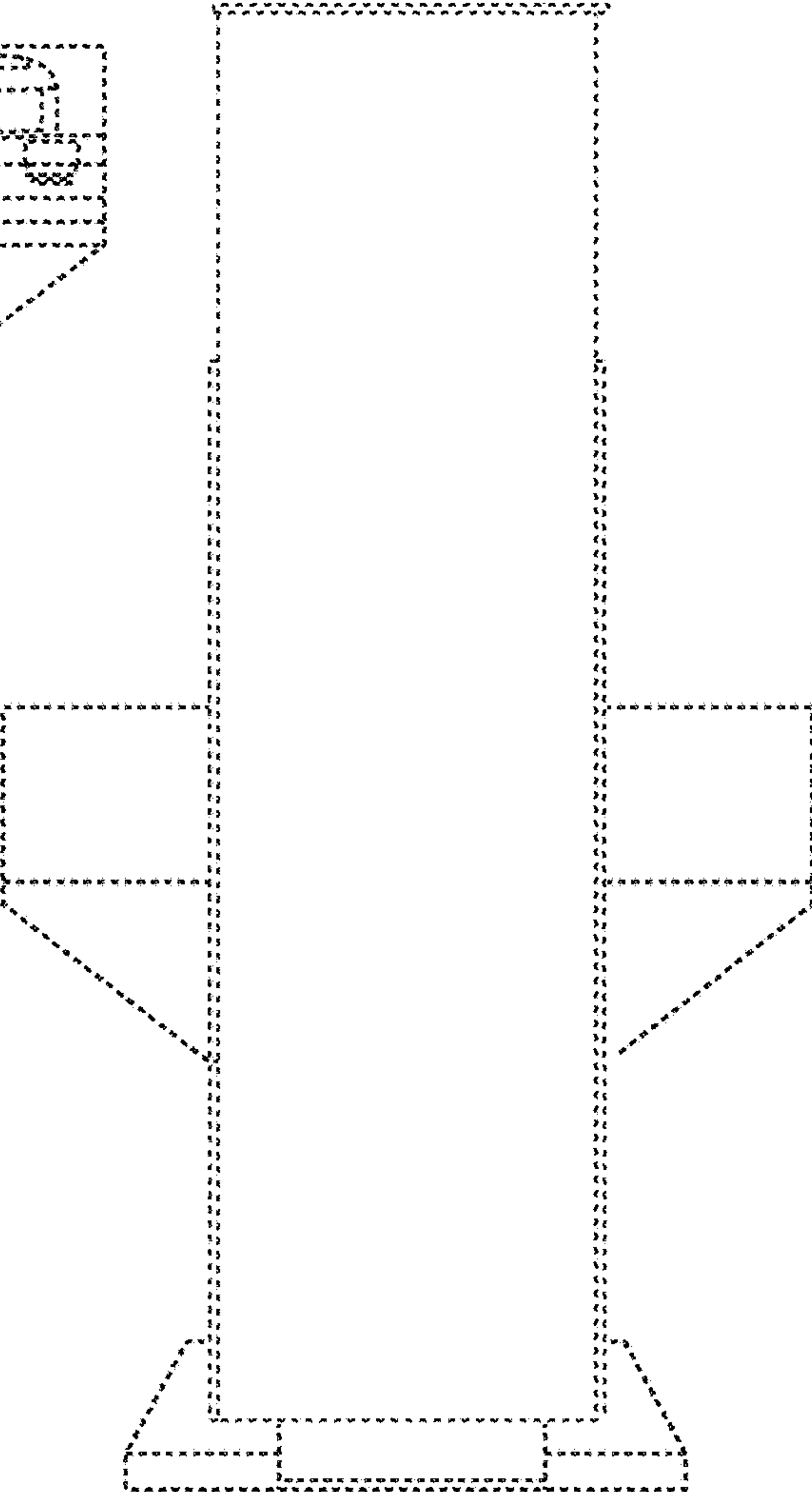


FIG. 3

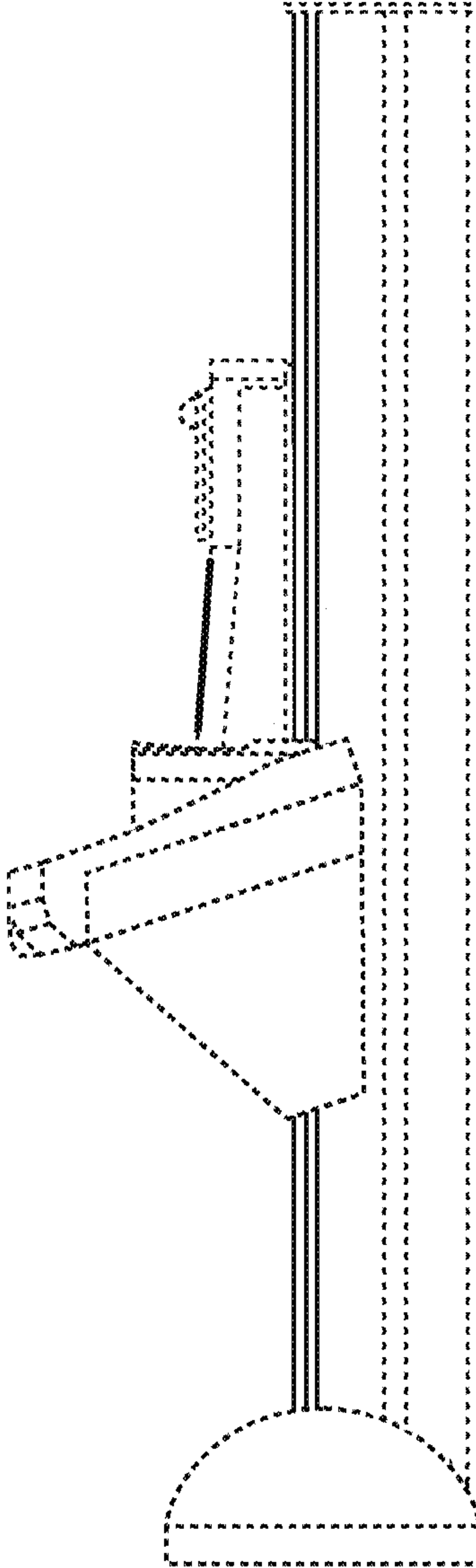


FIG. 4

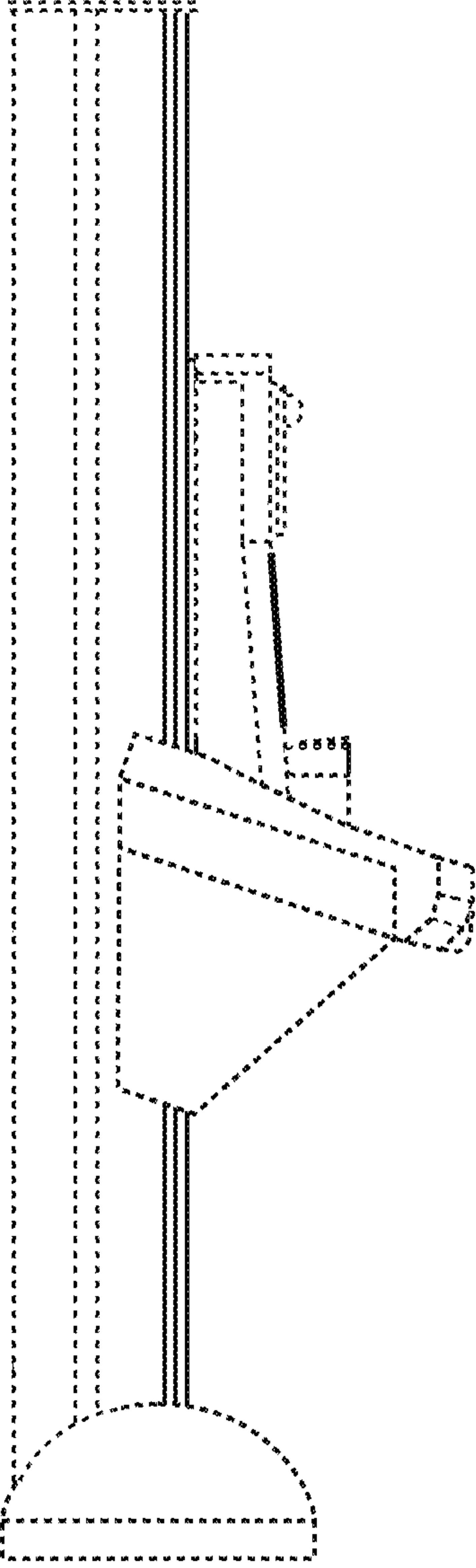


FIG. 5

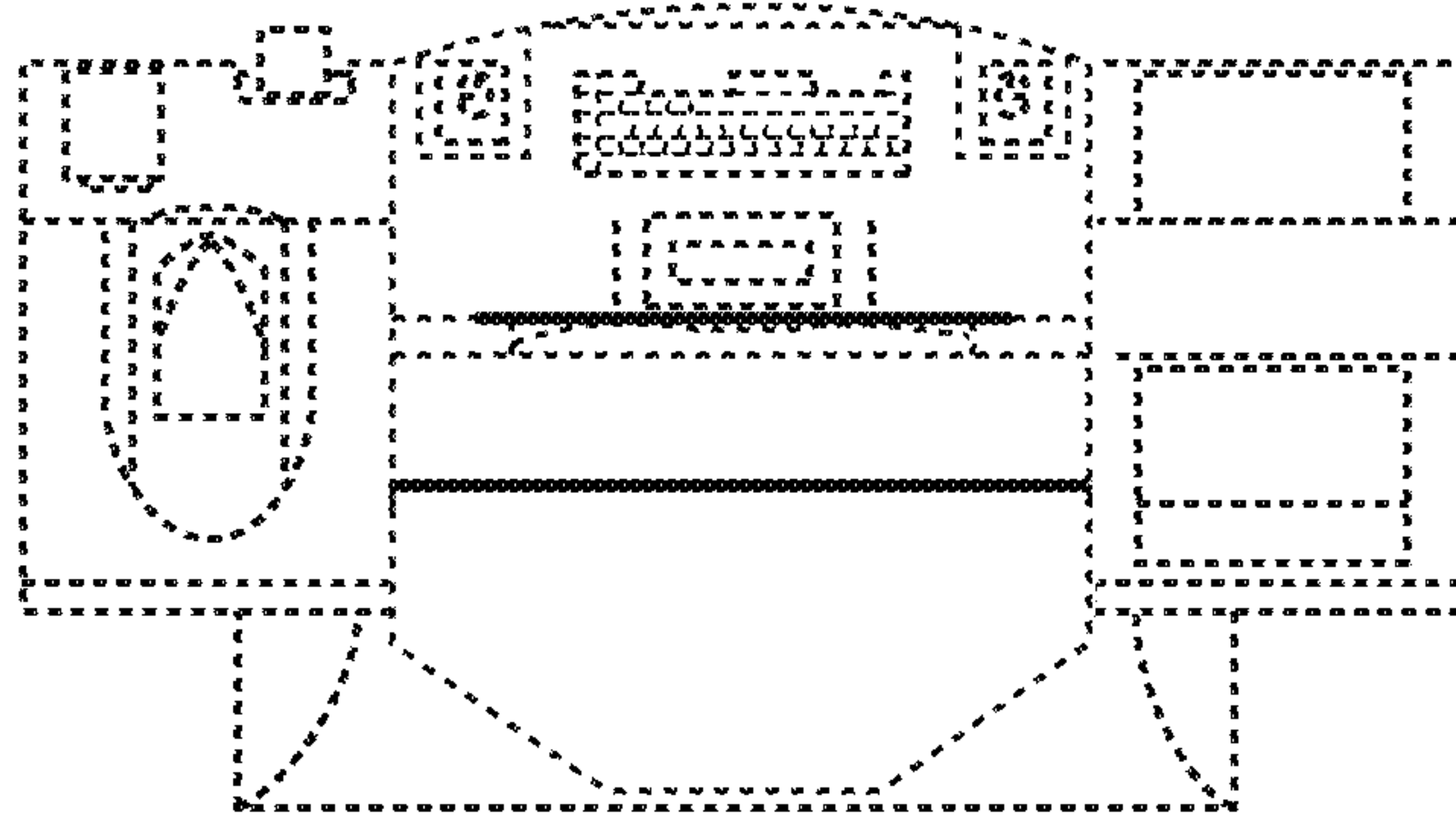


FIG. 6

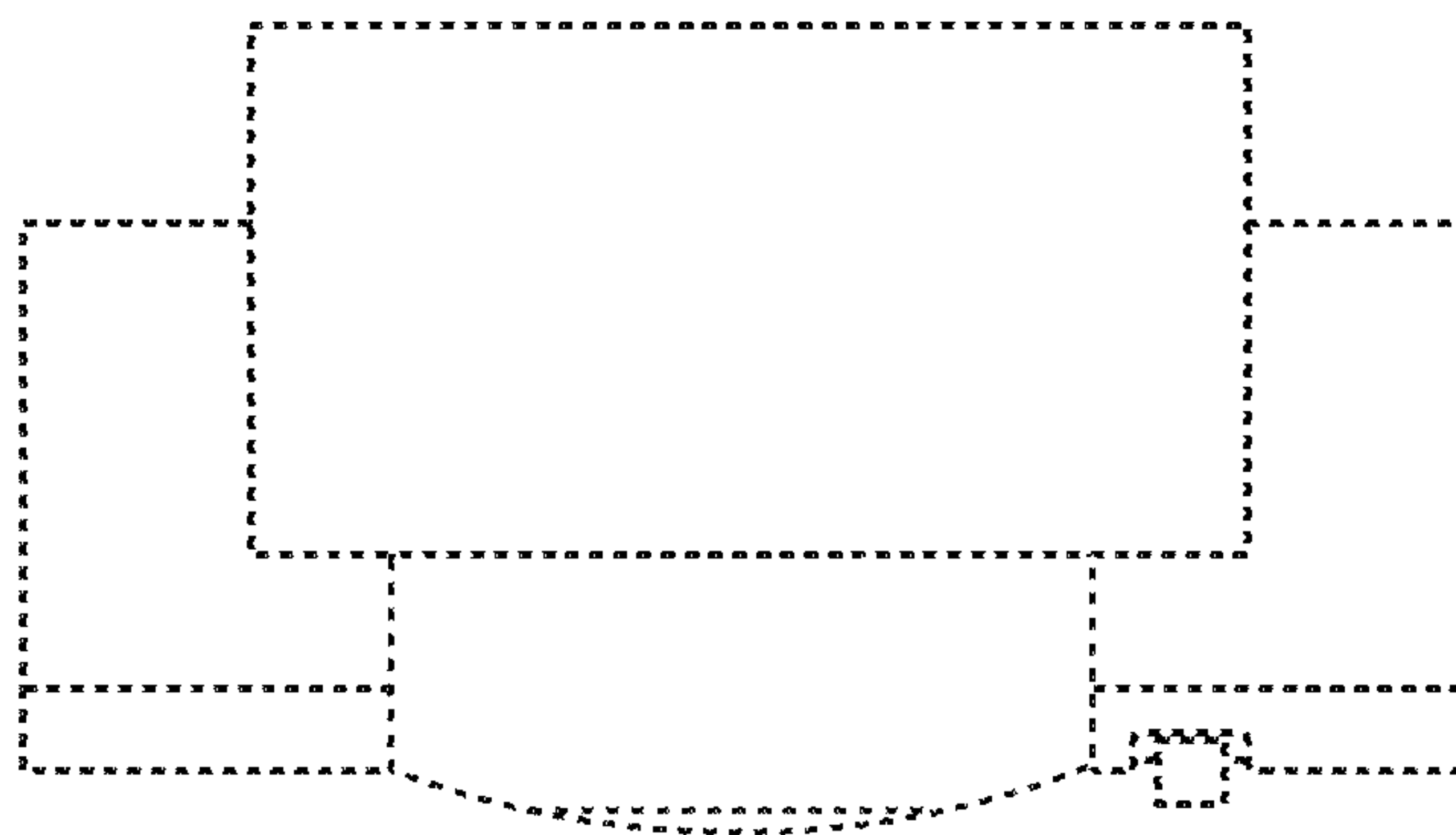


FIG. 7

UNITED STATES PATENT AND TRADEMARK OFFICE
CERTIFICATE OF CORRECTION

PATENT NO. : D818,464 S
APPLICATION NO. : 29/588562
DATED : May 22, 2018
INVENTOR(S) : Dario John Berini

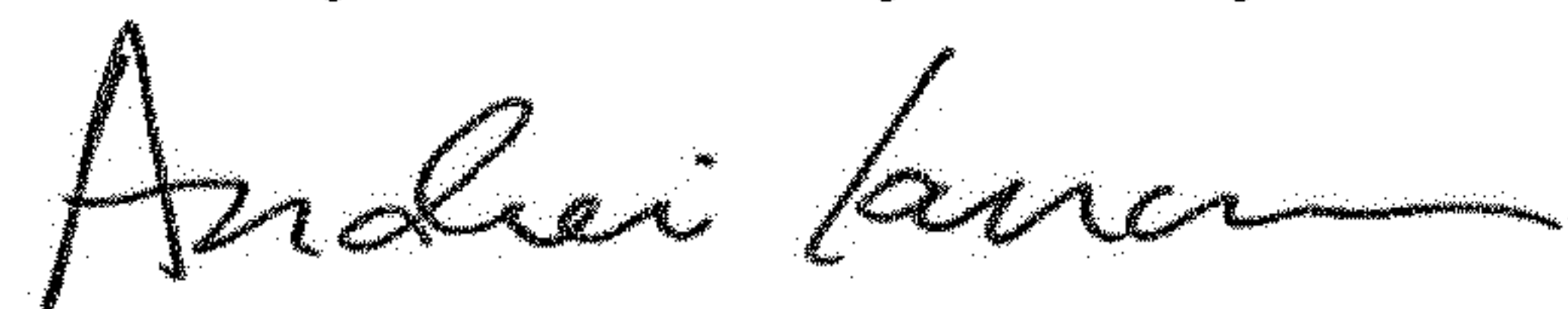
Page 1 of 1

It is certified that error appears in the above-identified patent and that said Letters Patent is hereby corrected as shown below:

On the Title Page

At Item (60) "Related U.S. Application Data", please delete "Continuation of application No. 29/566,270, filed on May 27, 2016, now Pat. No. Des. 742,870, and a division of application No. 29/487,791, filed on Apr. 11, 2014, now Pat. No. Des. 742,870, and a division of application No. Des. 29/541,378, filed on Oct. 2, 2015, now Pat. No. Des. 760,711, and a continuation of application No. Des. 29/566,270, filed on May 27, 2016, now Pat. No. Des. 778,276" and insert --Continuation of application No. Des. 29/566,270, filed May 27, 2016, now Pat. No. Des. 778,276, and a division of application No. Des. 29/541,378, filed on Oct. 2, 2015, now Pat. No. Des. 760,711, and a division of application of 29/487,791, filed on Apr. 11, 2014, now Pat. No. Des. 742,870, which is a continuation of application No. 13/475,625, filed on May 18, 2012, now Pat. No. 9256719-- therefor.

Signed and Sealed this
Twenty-fourth Day of July, 2018



Andrei Iancu
Director of the United States Patent and Trademark Office