



US00D818463S

(12) **United States Design Patent** (10) **Patent No.:** **US D818,463 S**
Kim (45) **Date of Patent:** **** *May 22, 2018**

(54) **CASE FOR ELECTRONIC DEVICES**

FOREIGN PATENT DOCUMENTS

(71) Applicant: **Dae-Young Kim**, Seoul (KR)

KR 10-2012-0094878 8/2012

(72) Inventor: **Dae-Young Kim**, Seoul (KR)

OTHER PUBLICATIONS

(73) Assignee: **SPIGEN KOREA CO., LTD.**,
Bongeunsa-ro, Gangnam-gu, Seoul (KR)

Spigen Ultra Hybrid S iPhone 7 Case, posted at amazon.com, earliest date reviewed Aug. 30, 2016, [online], acquired on Aug. 1, 2017. Available from Internet, <URL: https://www.amazon.com/Spigen-Cushion-Technology-Magnetic-Kickstand/dp/B01J9DVBWE/ref=cm_cr_arp_d_product_top?ie=UTF8>.*

(*) Notice: This patent is subject to a terminal disclaimer.

(**) Term: **15 Years**

(Continued)

(21) Appl. No.: **29/576,726**

Primary Examiner — Cathron C Brooks

(22) Filed: **Sep. 6, 2016**

Assistant Examiner — Aula Soroush

(51) **LOC (11) Cl.** **14-03**

(74) *Attorney, Agent, or Firm* — Heedong Chae; Lucem, PC

(52) **U.S. Cl.**
USPC **D14/250**

(58) **Field of Classification Search**
USPC D14/238.1, 440, 203.3-203.7, 217, 240,
D14/447, 248, 251-253, 250; D13/103,
D13/107-108, 119; D3/201, 218, 247,
D3/269, 273, 301, 303

(57) **CLAIM**

CPC H04B 1/3888; H04M 1/0283;
H04M 1/0202; A45C 1/06; A45C
2011/002; A45C 11/00; A45C 13/02;
A45F 2005/026; A45F 2200/0525; A45F
2200/0516

The ornamental design for a case for electronic devices, as shown and described.

See application file for complete search history.

DESCRIPTION

(56) **References Cited**

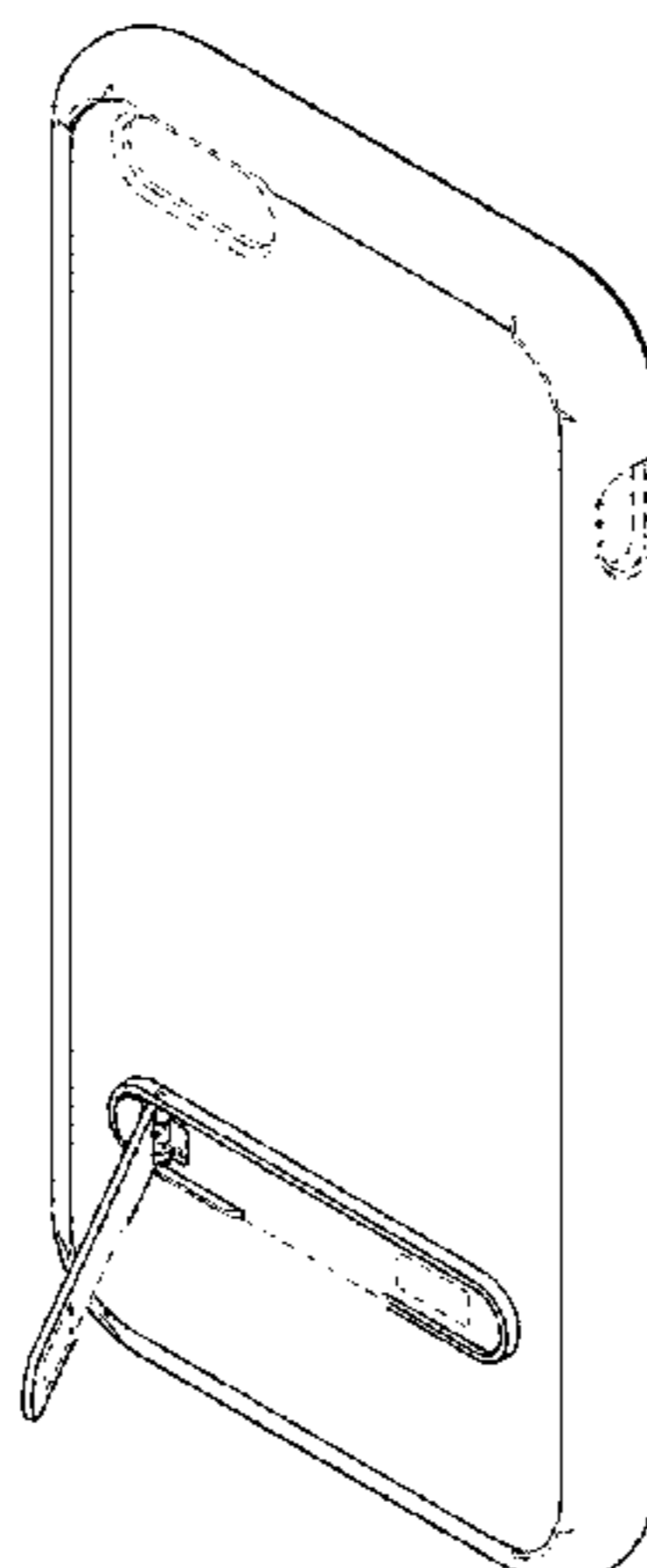
U.S. PATENT DOCUMENTS

| | | | |
|--------------|---------|-----------------|---------------|
| 7,301,759 B2 | 11/2007 | Hsiung | |
| D559,230 S | 1/2008 | Griffin | |
| D583,572 S | 12/2008 | Zhai | |
| D590,386 S | 4/2009 | Leith | |
| D619,361 S * | 7/2010 | Andre | D3/269 |
| D663,263 S | 7/2012 | Gupta | |
| D663,294 S | 7/2012 | Buxton | |
| 8,243,428 B2 | 8/2012 | Fu | |
| D670,281 S | 11/2012 | Corpuz et al. | |
| D671,930 S | 12/2012 | Akana et al. | |
| D676,837 S | 2/2013 | Rothbaum et al. | |
| D679,271 S * | 4/2013 | Liu | D13/103 |

FIG. 1 is a front perspective view of a case for electronic device, having a support leg wherein the support leg is in an open position, showing my new design; FIG. 2 is a rear perspective view thereof; FIG. 3 is a front elevational view thereof; FIG. 4 is a rear elevational view thereof; FIG. 5 is a left side elevational view thereof; FIG. 6 is a right side elevational view thereof; FIG. 7 is a top plan view thereof; FIG. 8 is a bottom plan view thereof; and, FIG. 9 is a rear perspective view of the case with the support leg in a closed position. The broken lines in the drawings illustrate portions of the case for electronic device and form no part of the claimed design.

(Continued)

1 Claim, 9 Drawing Sheets



(56)

References Cited

U.S. PATENT DOCUMENTS

| | | | |
|-------------------|---------|---------------------------|-------------------------|
| D690,305 S | 9/2013 | Wen | |
| D706,254 S * | 6/2014 | Chang | D14/217 |
| D712,892 S | 9/2014 | Hong et al. | |
| D714,276 S | 9/2014 | Hu et al. | |
| D718,291 S | 11/2014 | Hong | |
| D721,360 S | 1/2015 | Laffon de Mazieres et al. | |
| D732,543 S | 6/2015 | Westrup et al. | |
| D746,275 S | 12/2015 | Mohammad | |
| D757,702 S | 5/2016 | Kanazawa | |
| D757,703 S | 5/2016 | Kanazawa | |
| D761,774 S | 7/2016 | Liang | |
| D763,841 S * | 8/2016 | Kim | D14/250 |
| D765,634 S | 9/2016 | McCray et al. | |
| D772,210 S | 11/2016 | Igarashi | |
| D772,854 S | 11/2016 | Igarashi | |
| D775,619 S | 1/2017 | Tien | |
| D776,104 S * | 1/2017 | Tien | D14/250 |
| D777,715 S | 1/2017 | Sawaya | |
| D780,167 S * | 2/2017 | Tien | D14/250 |
| D781,839 S | 3/2017 | Kim et al. | |
| D788,090 S * | 5/2017 | Kim | D14/250 |
| 2011/0164358 A1 | 7/2011 | Duan | |
| 2013/0077211 A1 | 3/2013 | Wang | |
| 2016/0101902 A1 * | 4/2016 | Kim | F16M 11/00 206/45.23 |

OTHER PUBLICATIONS

“iPhone 6S Case,” https://www.amazon.com/iPhoneShieldKickstandCrystalProtection/dp/B014QDKKMY/ref=sr_1_2?ie=UTF8&qid=1473199610&sr=82
keywords=obliq+iph . . . , Downloaded Sep. 7, 2016, 9 Pages.
“Droid X Car Dock,” <http://phandroid.com/2010/06/23/droidxcardockaccessoriesrevealed/>, Downloaded Oct. 19, 2016, 4Page.
“Body Glove Snap-On Case for the HTC Thunderbolt Review,” <http://www.androidcentral.com/bodyglovesnapcasehtcthunderboltreview>, Downloaded Oct. 19, 2016, 10Page.
“Case for HTC Thunderbolt with Extended Battery: Review of Seidio Active Extended Case,” <http://webpierat.com/2011/06/16/casehtcthunderboltextendedbattery/>, Downloaded Oct. 29, 2016, 5Page.
“Case for HTC Thunderbolt with Extended Battery: Review of Seidio Active Extended Case,” <http://webpierat.com/2011/06/16/casehtcthunderboltextendedbattery/>, Downloaded Oct. 19, 2016, 5Page.
“EVO3D Case with Kickstand,” <http://forums.androidcentral.com/htcevo3d/71171evo3dcasekickstand.html>. Downloaded Oct. 19, 2016, 8Page.
“HTC Desire HD Hard Case with Kickstand,” <http://www.mobilefun.co.ukhtcdesirehdhardcasewithkickstandhck550p2776.htm>, Downloaded Oct. 19, 2016, 3Page.
“HTC EVO 3D Seidio Surface with Kickstand Case Review,” <http://htcpedia.comHTCEvo3DcasereviewSeidioSURFACEwithKickstand/reviews/htcevo3daccessories.html>, Downloaded Oct. 19, 2016, 11Page.

“HTC EVO 4G Case Review: HTC Hard Shelf Case,” <http://www.androidcentral.com/htcevo4gcasereviewhtchardshellcase>, Downloaded Oct. 19, 2016, 13Page.
“HTC EVO 4G Case Review: Otterbox Defender,” <http://www.androidcentral.com/htcevo4gcasereviewotterboxdefender>, Downloaded Oct. 19, 2016, 16Page.
“HTC EVO 4G Case Review: Trident cyclops Series,” <http://www.androidcentral.com/htcevo4gcasereviewtridentcyclopsseries>, Downloaded Oct. 19, 2016, 5Page.
“HTC HD2 Extended Battery,” <http://www.itechnews.net/2010/01/28/htchd2extendedbattery/>, Downloaded May 3, 2016, 2Page.
“iPod Touch 4 Case With Kickstand,” <http://www.avenueapple.com/ipodtouch4casewithkickstand/>, Downloaded Oct. 19, 2016, 6Page.
“iPod Touch 4G Case With Chrome Kickstand,” <http://www.avenueapple.com/ipodtouch4gcasewithchromekickstand/>, Downloaded Oct. 19, 2016, 5Page.
“LG CCH-120 Kick Stand Hard Case—LG Optimus 2X,” <http://www.mobilefun.co.uk/lgcch120kickstandhardcaselgoptimus2xp27952.htm>, Downloaded Oct. 19, 2016, 3Page.
“MUGEN POWER5400MAH Extended XL Battery Back Door Samsung Galaxy Note White ATT4,” <http://www.ebay.com/itm/MUGENPOWER5400mAhEXTENDEDXLBATTERYBACK-DOORSAMSUNGALAXYNOTEWHITEATT/270963466305/>, Downloaded May 3, 2016, 3Page.
“MYBAT Natural Gray/Black TUFF Hybrid Phone Protector Cover (with Stand),” <https://www.2valor.com/product/productinfo.aspx?pid=73296>, Downloaded Oct. 14, 2016, 2Page.
“NXE Recline Case for iPhone 4,” <http://thegadgeteer.com/2011/03/14/nxereclinecaseforiphone4/>, Downloaded Oct. 19, 2016, 6Page.
“NXE Recline iPhone 4 Case with Practical Stand,” <http://gadgetsinc.com/nxereclineiphone4casewithpracticalstand.htm>, Downloaded Oct. 19, 2016, 5Page.
“OtterBox Defender Case for HTC Thunderbolt Smartphone Review,” http://www.legitreviews.com/otterboxdefendercaseforhtcthunderboltsmartphonereview_1648/4, Downloaded Oct. 19, 2016, 5Page.
“Quick Look: HTC Kickstand Case for HTC Inspire 4G& HTC Desire HD,” <http://htcpedia.com/news/htcdesirehdinspire4gkickstandcase.html>, Downloaded Oct. 19, 2016, 3Page.
“Seidio Active Case(with metal kickstand) for HTC One X,” <https://www.youtube.com/watch?v=W5EGPgGw7Hw>, Downloaded Oct. 14, 2016 3Page.
“Seidio Surface Case with Kickstand for HTC EVO 3D-1 Pack-Case-Retail Packaging-Black,” <http://www.amazon.com/SeidioSURFACECaseKickstandHTC/dp/B005EEO4OA>, Downloaded Oct. 19, 2016, 6Page.
“Trident Case Kracken,” <http://www.tekgoblin.com/2011/09/04/tridentcasekrackenllreviewforiphone4/>, Downloaded Oct. 19, 2016, 5Page.
“iPhone 6S Case,” https://www.amazon.com/iPhoneShieldKickstandCrystalProtection/dp/B014QDKKMY/ref=sr_1_2?ie=UTF8&qid=1473199610&sr=82
&keywords=obliq+iph . . . , Downloaded Sep. 7, 2016,9 Pages.

* cited by examiner

FIG. 1

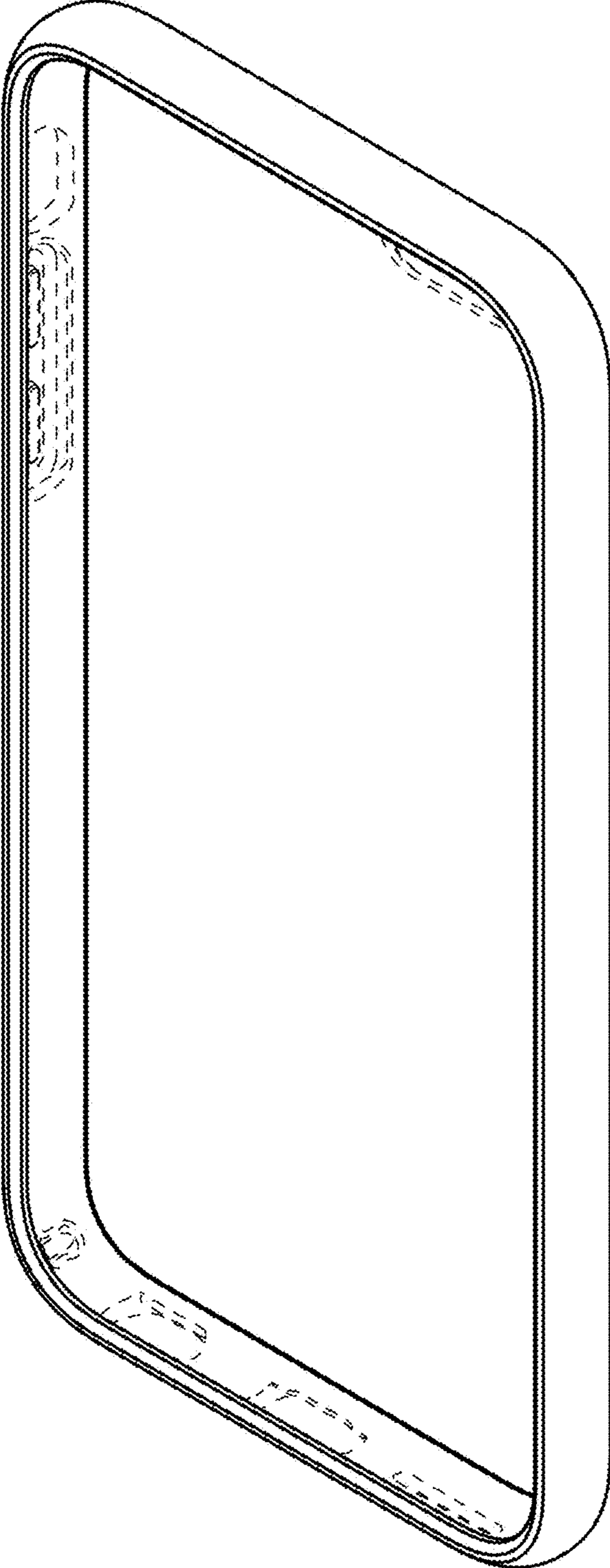


FIG. 2

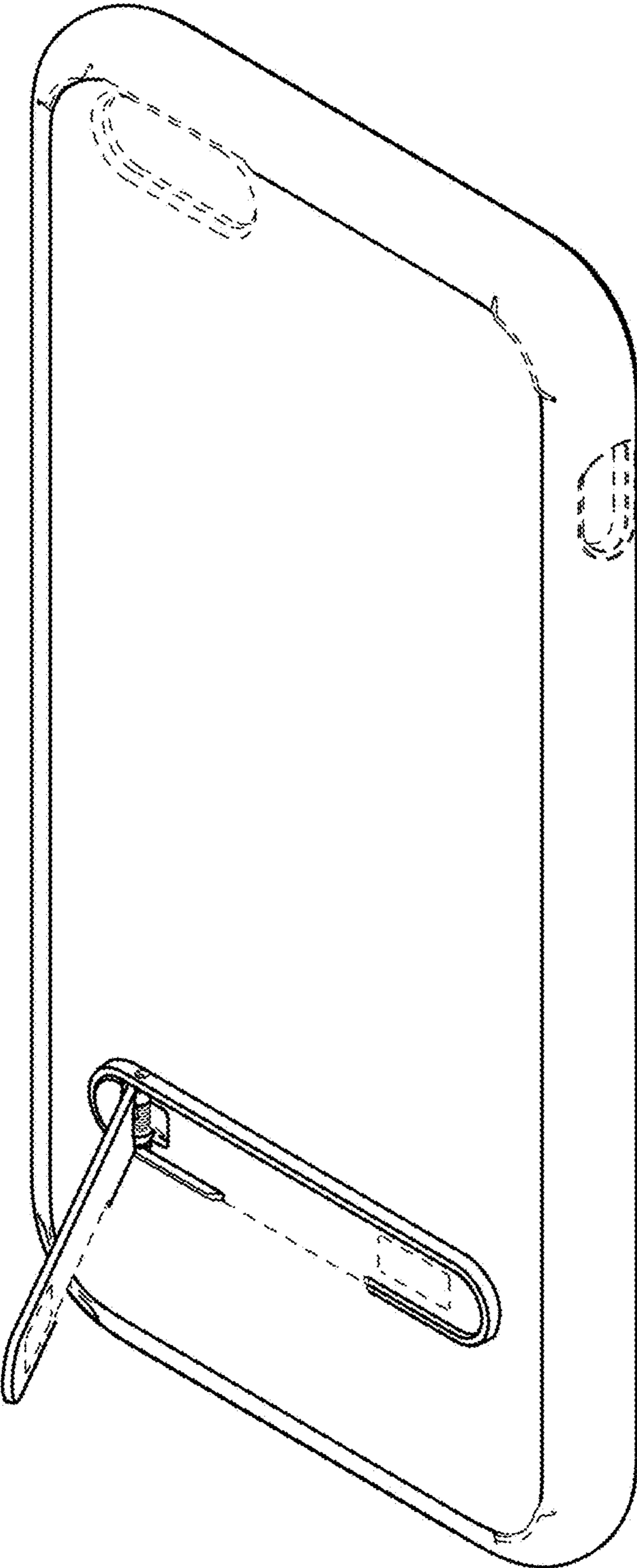


FIG. 3

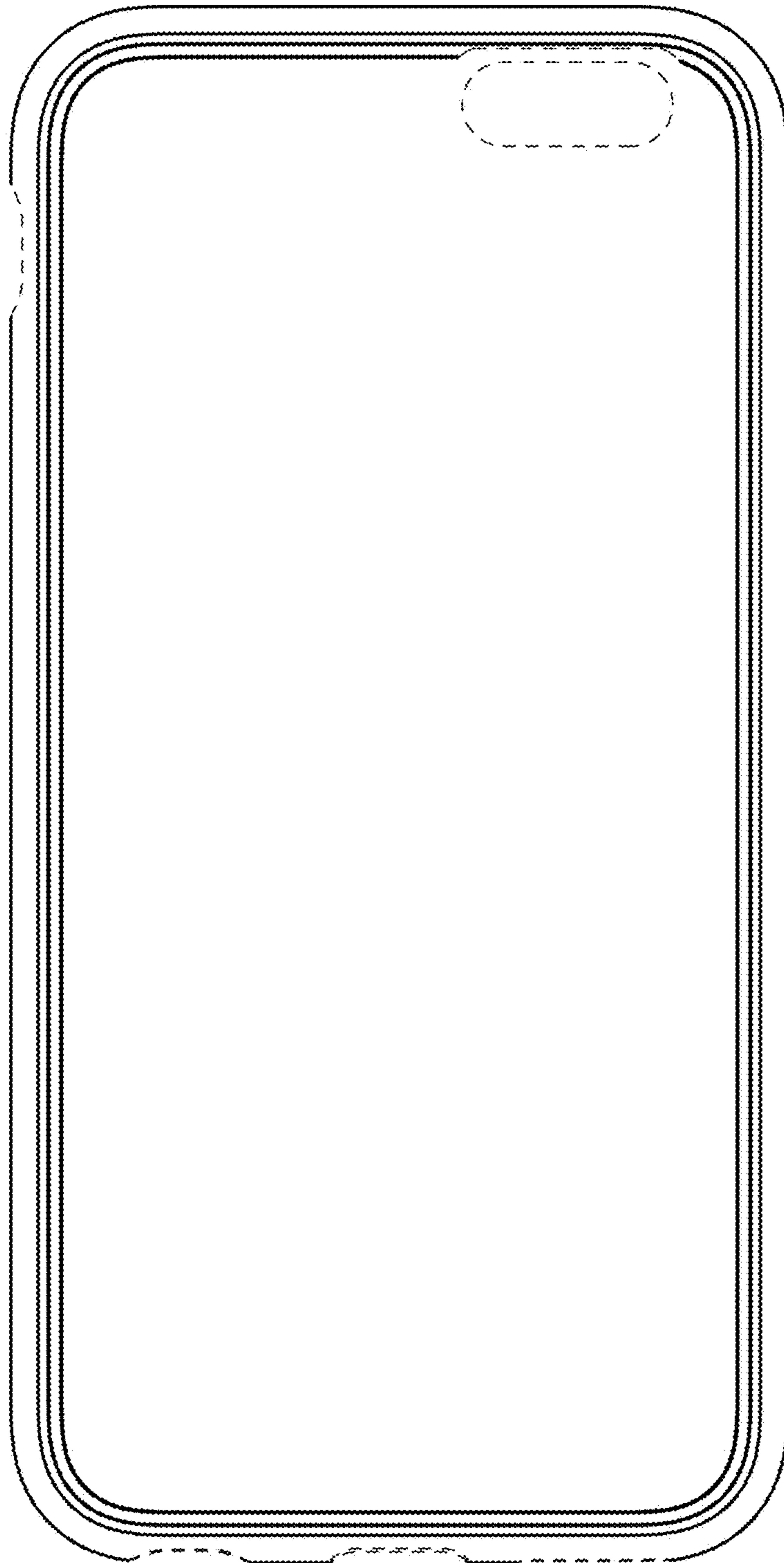


FIG. 4

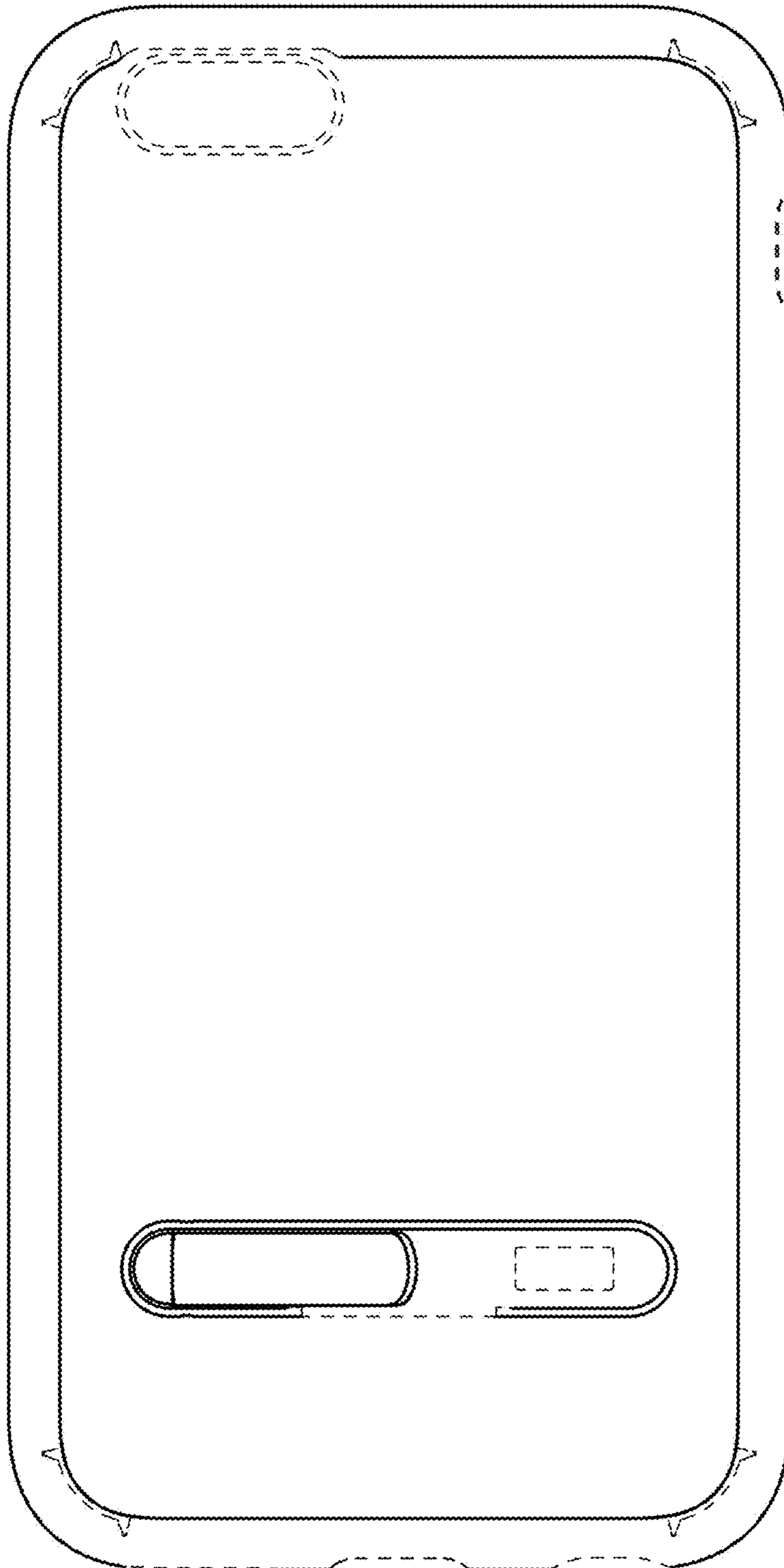


FIG. 5

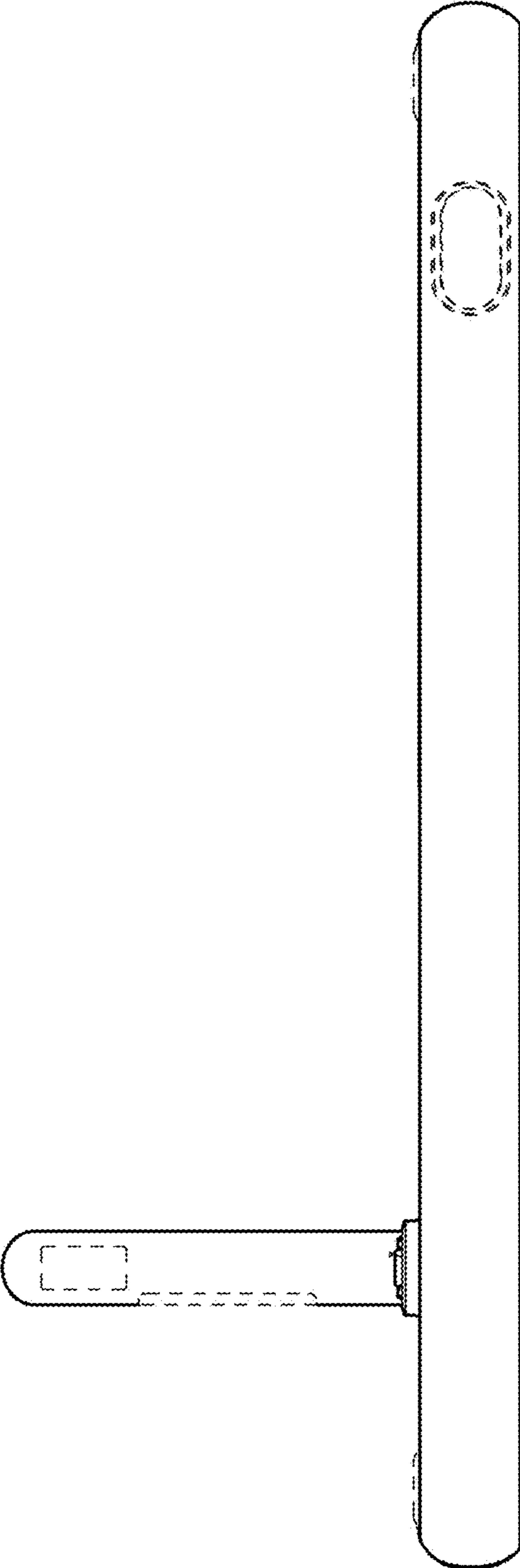


FIG. 6

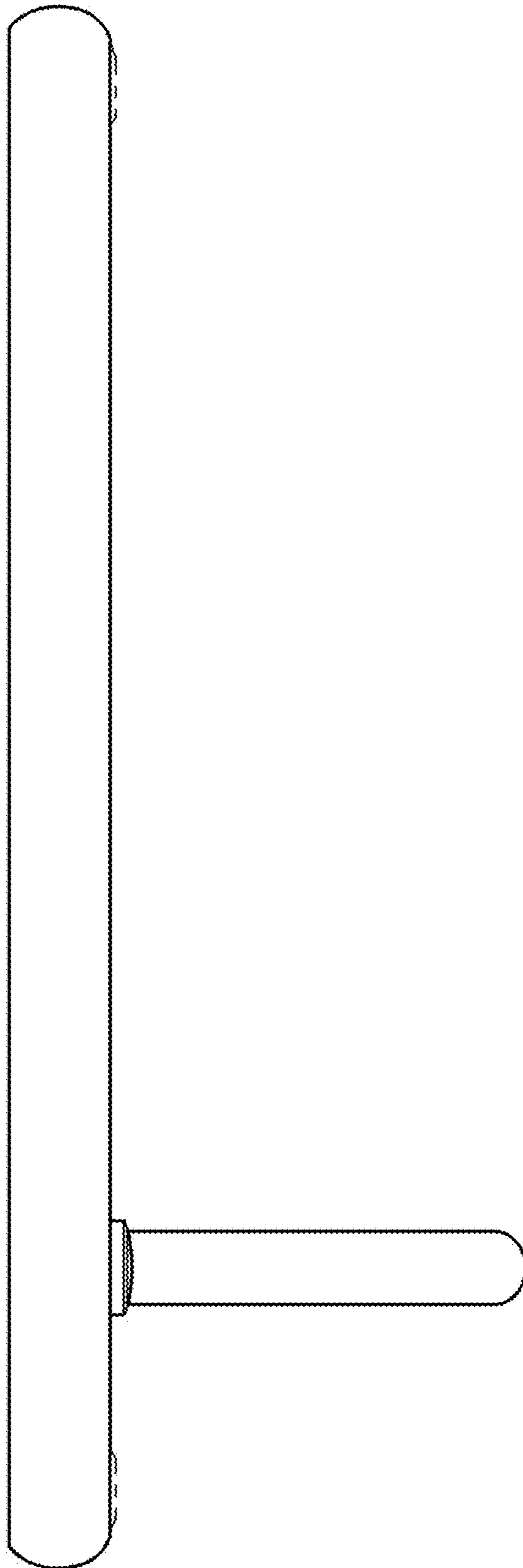


FIG. 7

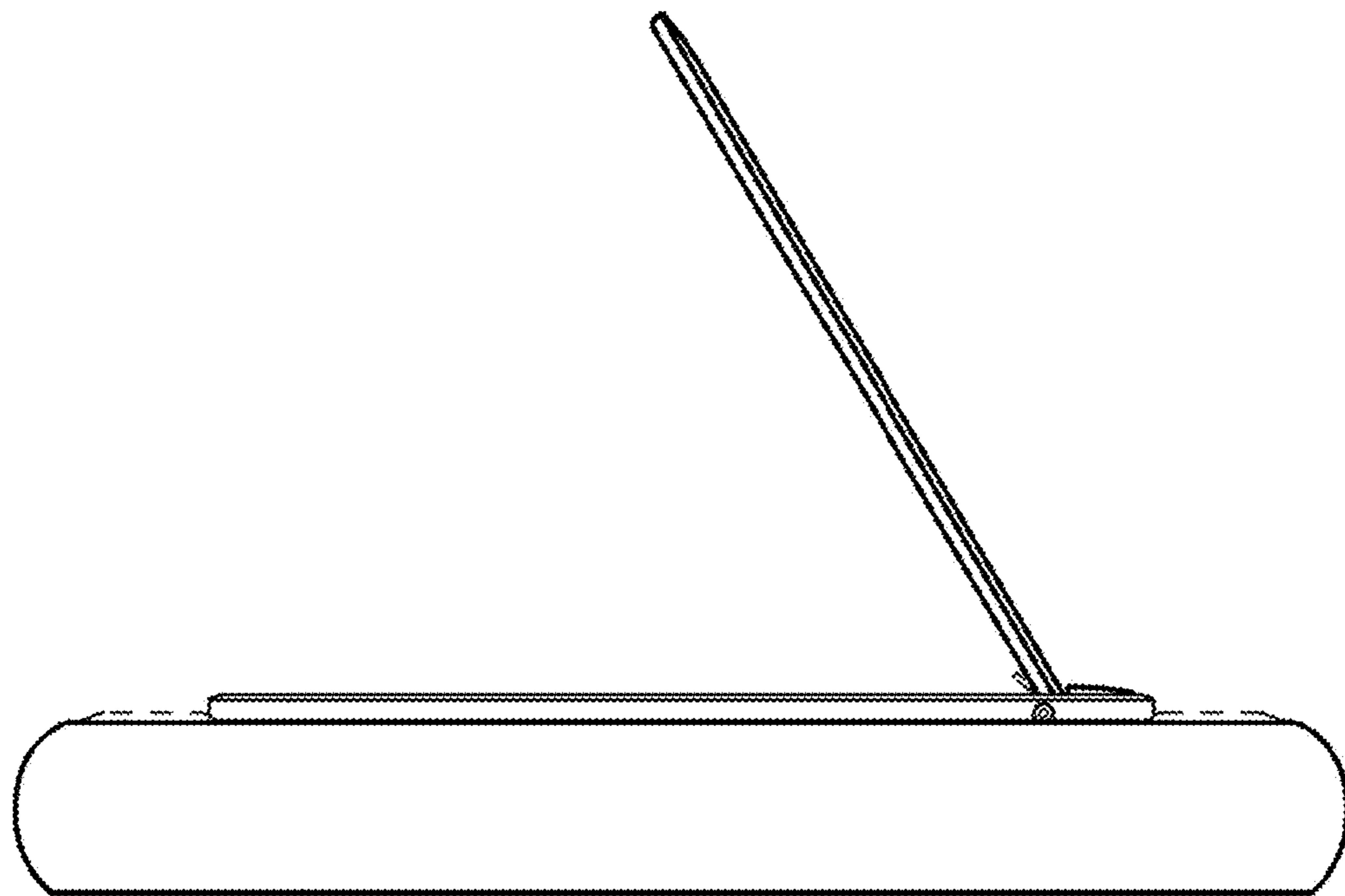


FIG. 8

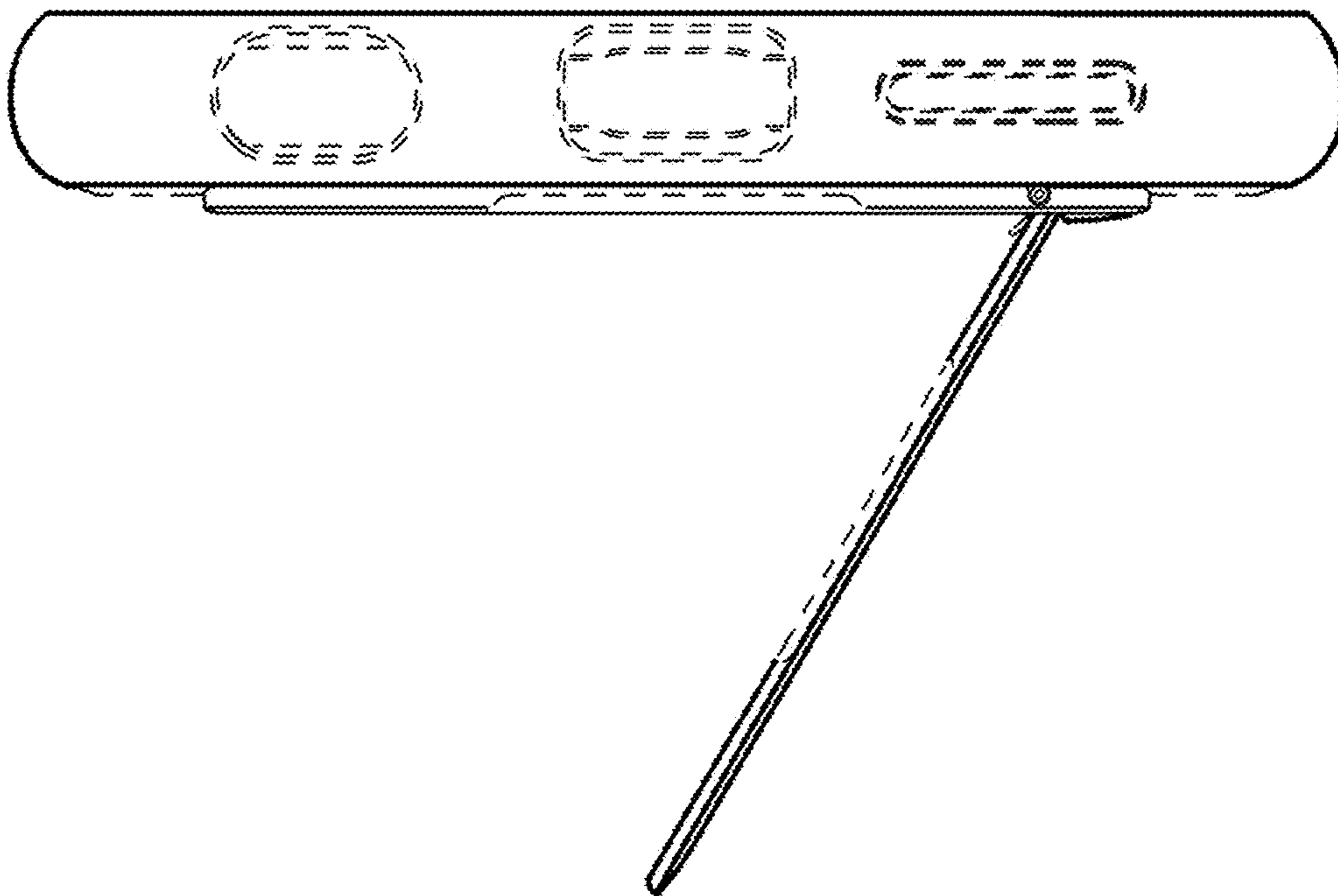


FIG. 9

