



US00D818461S

(12) **United States Design Patent** (10) **Patent No.:** **US D818,461 S**
Minn et al. (45) **Date of Patent:** **** May 22, 2018**

(54) **HEADREST ATTACHMENT ELEMENT**

(71) Applicant: **Kenu, Inc.**, San Francisco, CA (US)

(72) Inventors: **Kenneth Y. Minn**, San Francisco, CA (US); **David E. Yao**, San Francisco, CA (US); **Leonard John Duran**, Mill Valley, CA (US)

(73) Assignee: **KENU, INC.**, San Francisco, CA (US)

(**) Term: **15 Years**

(21) Appl. No.: **29/563,393**

(22) Filed: **May 4, 2016**

(51) **LOC (11) Cl.** **14-01**

(52) **U.S. Cl.**
USPC **D14/238.1**

(58) **Field of Classification Search**
USPC D12/420, 419, 418, 417, 416, 415, 421, D12/223; D14/203.1-203.8, 497, 299, D14/357, 447, 434, 432, 238.1, 253; D21/333, 332, 334, 328; D16/242
CPC G06F 1/1601; H04N 5/65; H05K 5/0204; H05K 5/00; B60R 11/0235; B60R 7/088; F16M 11/041; B60K 35/00; G01R 23/173; A61M 5/1415

See application file for complete search history.

(56) **References Cited**

U.S. PATENT DOCUMENTS

5,199,677 A 4/1993 Sessions
D471,856 S * 3/2003 Chiang D12/416
6,560,983 B1 5/2003 Schimmeyer
7,364,230 B2 4/2008 Zheng
7,508,932 B1 3/2009 Bergh
D619,079 S * 7/2010 Bailo D12/416
7,980,521 B2 * 7/2011 Harr A61M 5/1415
248/220.21
D682,284 S * 5/2013 Hachadorian D14/447

8,561,863 B2 10/2013 LaColla et al.
D692,897 S * 11/2013 Luijben D14/447
D696,241 S * 12/2013 Paugh D14/253
D726,175 S * 4/2015 Tsai D12/415
9,010,597 B2 4/2015 Prescott et al.
D733,548 S * 7/2015 Brown D14/447
9,080,714 B2 7/2015 Minn et al.
9,103,487 B2 8/2015 Hale et al.
D741,396 S * 10/2015 Pelini D16/242
9,150,164 B2 10/2015 Mitchell

(Continued)

FOREIGN PATENT DOCUMENTS

DE 102006055404 A1 5/2008
DE 202008010276 U1 12/2008

(Continued)

Primary Examiner — Karen S Acker

Assistant Examiner — Jerry Shiuang-Hua Hsu

(74) *Attorney, Agent, or Firm* — Vierra Magen Marcus LLP

(57) **CLAIM**

The ornamental design for a headrest attachment element, as shown and described.

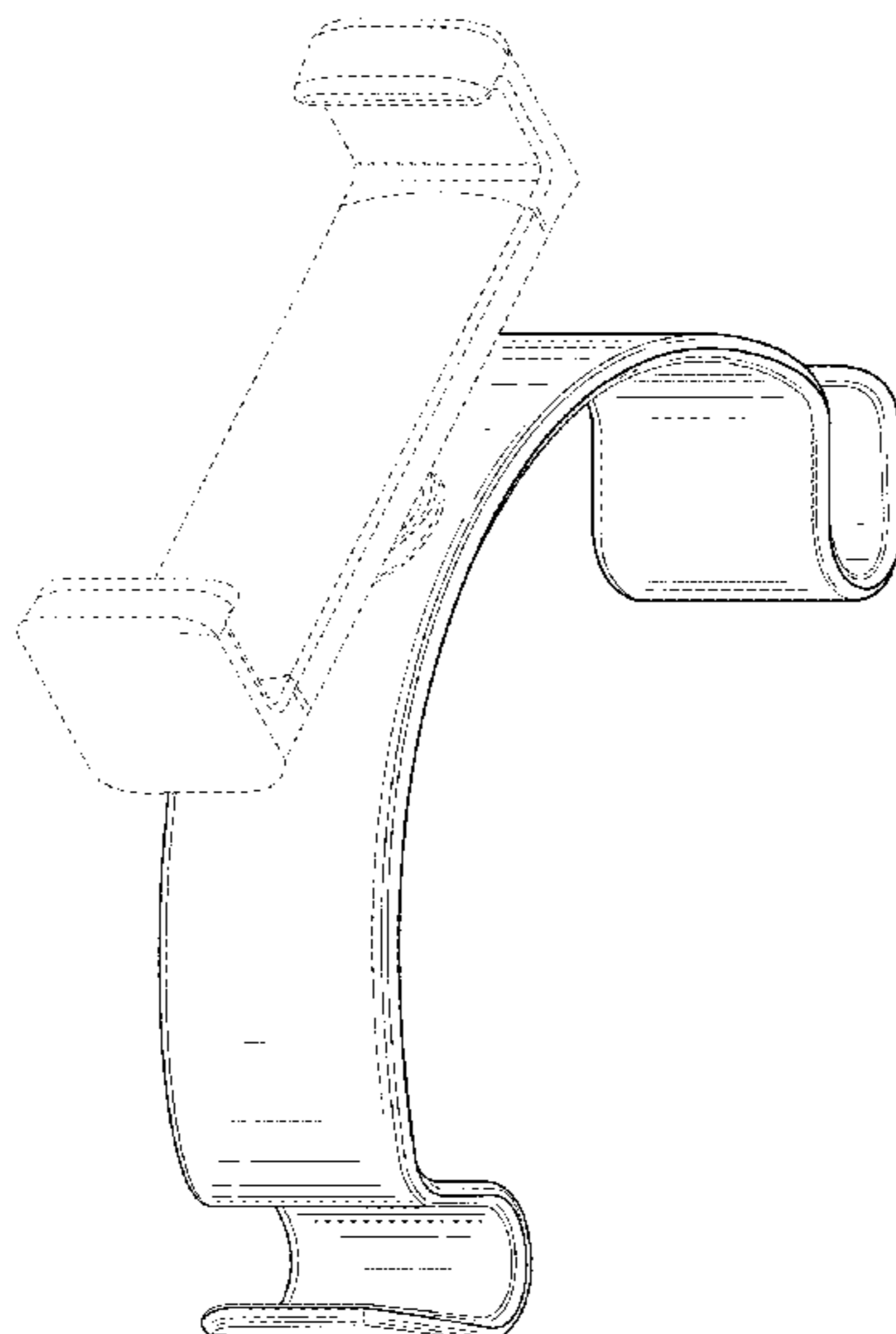
DESCRIPTION

FIG. 1 is a front perspective view of a headrest attachment element, showing our new design; FIG. 2 is a rear perspective view thereof; FIG. 3 is a front view thereof; FIG. 4 is a rear view thereof; FIG. 5 is a left side view thereof; FIG. 6 is a right side view thereof; FIG. 7 is a top view thereof; and, FIG. 8 is a bottom view thereof.

The claimed design is intended to be used to attach an item to posts of a headrest.

The broken lines illustrate environmental matter that forms no part of the claimed design.

1 Claim, 8 Drawing Sheets



(56)

References Cited

U.S. PATENT DOCUMENTS

9,326,623	B2	5/2016	Harwell et al.	
D786,841	S *	5/2017	Minn	D14/238.1
D795,781	S *	8/2017	Itou	D12/223
2006/0082212	A1	4/2006	Chou et al.	
2007/0090251	A1	4/2007	Padden	
2012/0006870	A1	1/2012	Proctor et al.	
2012/0018471	A1 *	1/2012	Guillermo	B60R 11/0235 224/275
2012/0091177	A1	4/2012	Ackeret et al.	
2012/0241572	A1	9/2012	McClain et al.	
2012/0312847	A1	12/2012	LaColla et al.	
2012/0313404	A1	12/2012	Ackeret et al.	
2013/0068809	A1	3/2013	Wang	
2013/0107449	A1	5/2013	Su et al.	
2013/0181492	A1 *	7/2013	Prescott	B60R 7/088 297/217.1
2013/0200119	A1	8/2013	Ackeret et al.	
2014/0077576	A1	3/2014	Brawner	
2014/0211959	A1	7/2014	Boyajian et al.	
2015/0041508	A1	2/2015	Fan	
2015/0274088	A1	10/2015	Minn et al.	
2016/0221514	A1	8/2016	Qian	
2017/0313260	A1	11/2017	Minn et al.	
2017/0314732	A1	11/2017	Minn et al.	

FOREIGN PATENT DOCUMENTS

DE	202012010244	U1	1/2013
DE	202013005454	U1	9/2014
TW	M347322	U	12/2008
TW	M442294	U	9/2014
WO	2014161022	A1	10/2014

* cited by examiner

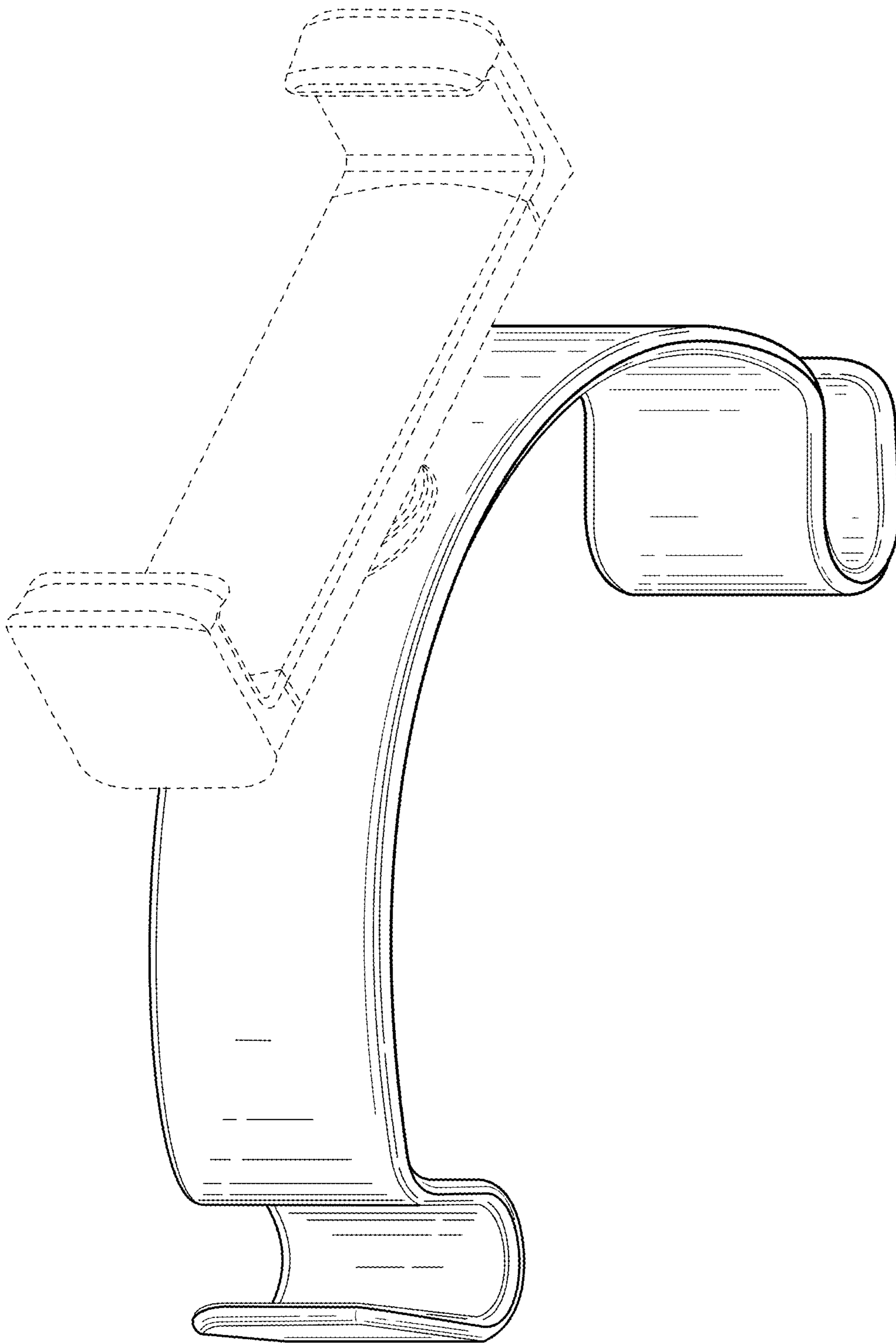


FIG. 1

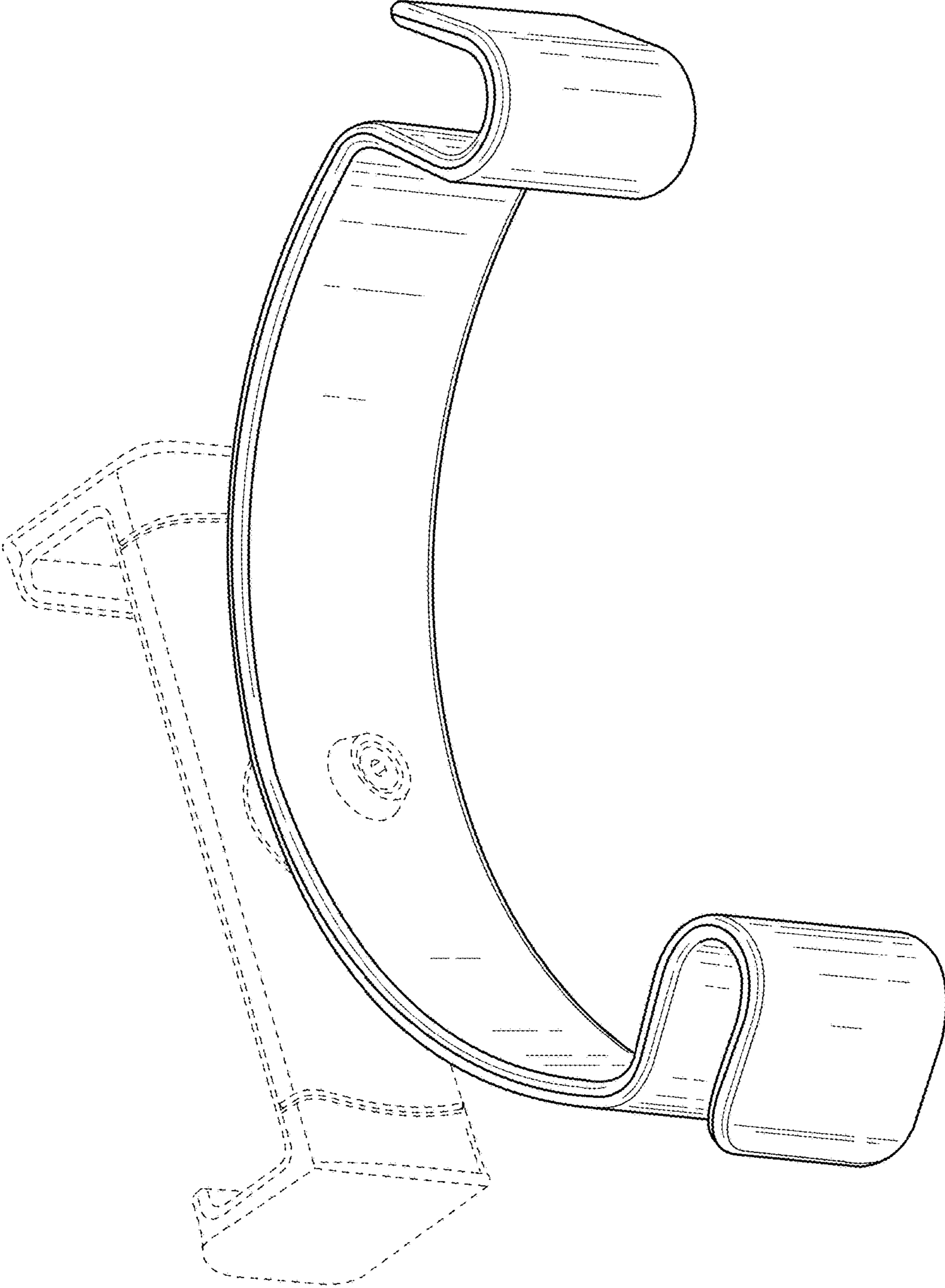


FIG. 2

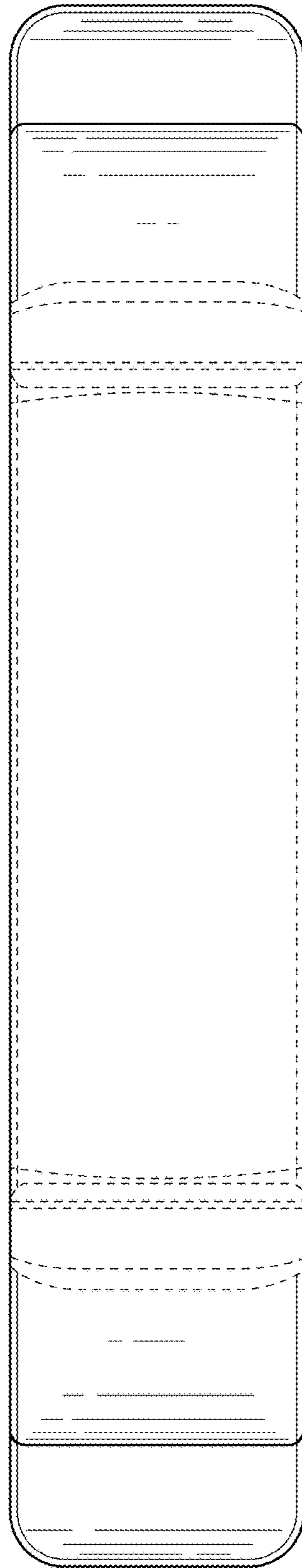


FIG. 3

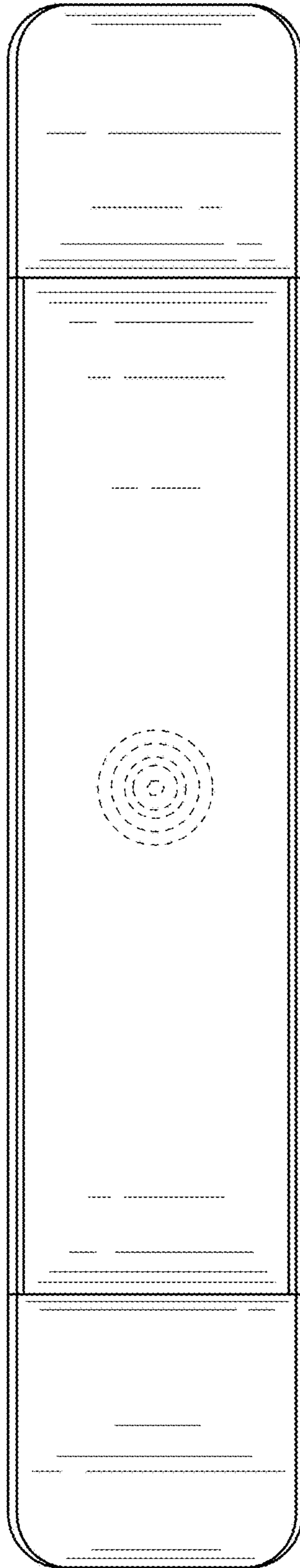


FIG. 4

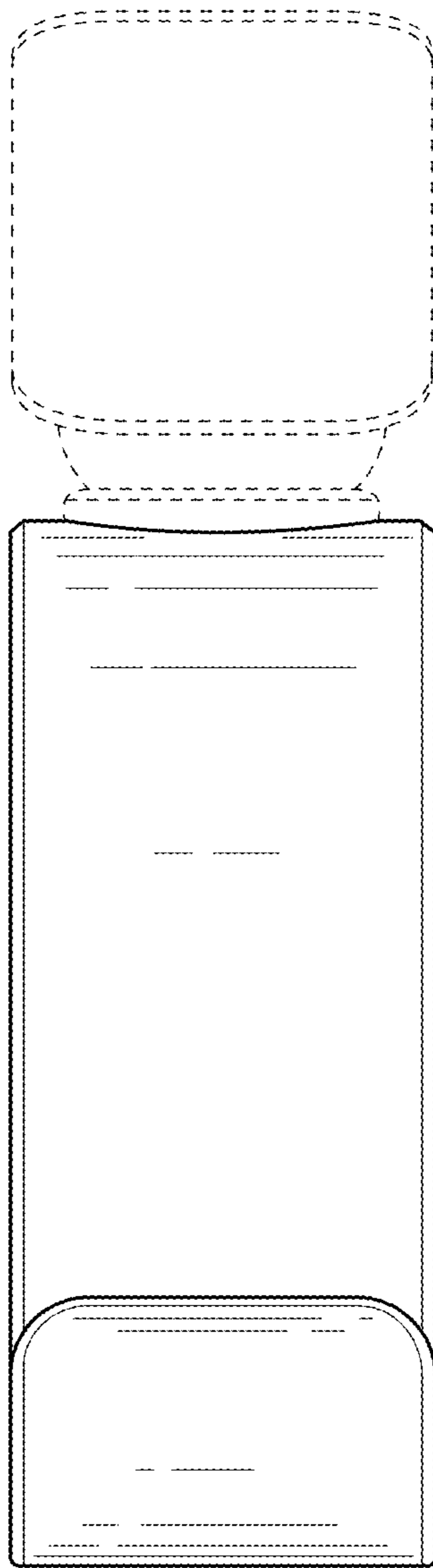


FIG. 5

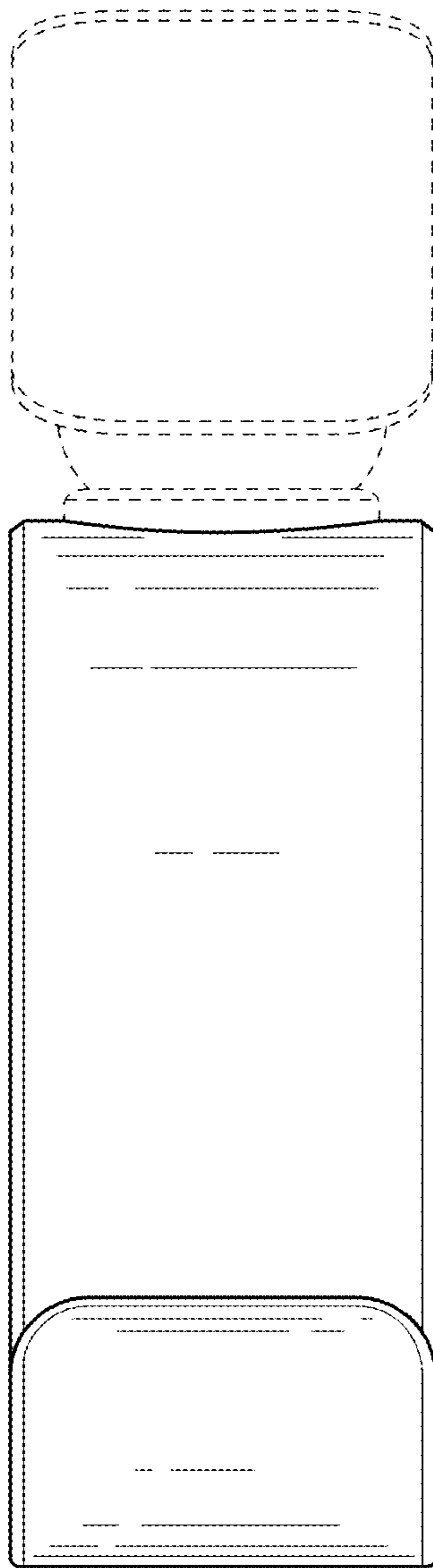


FIG. 6

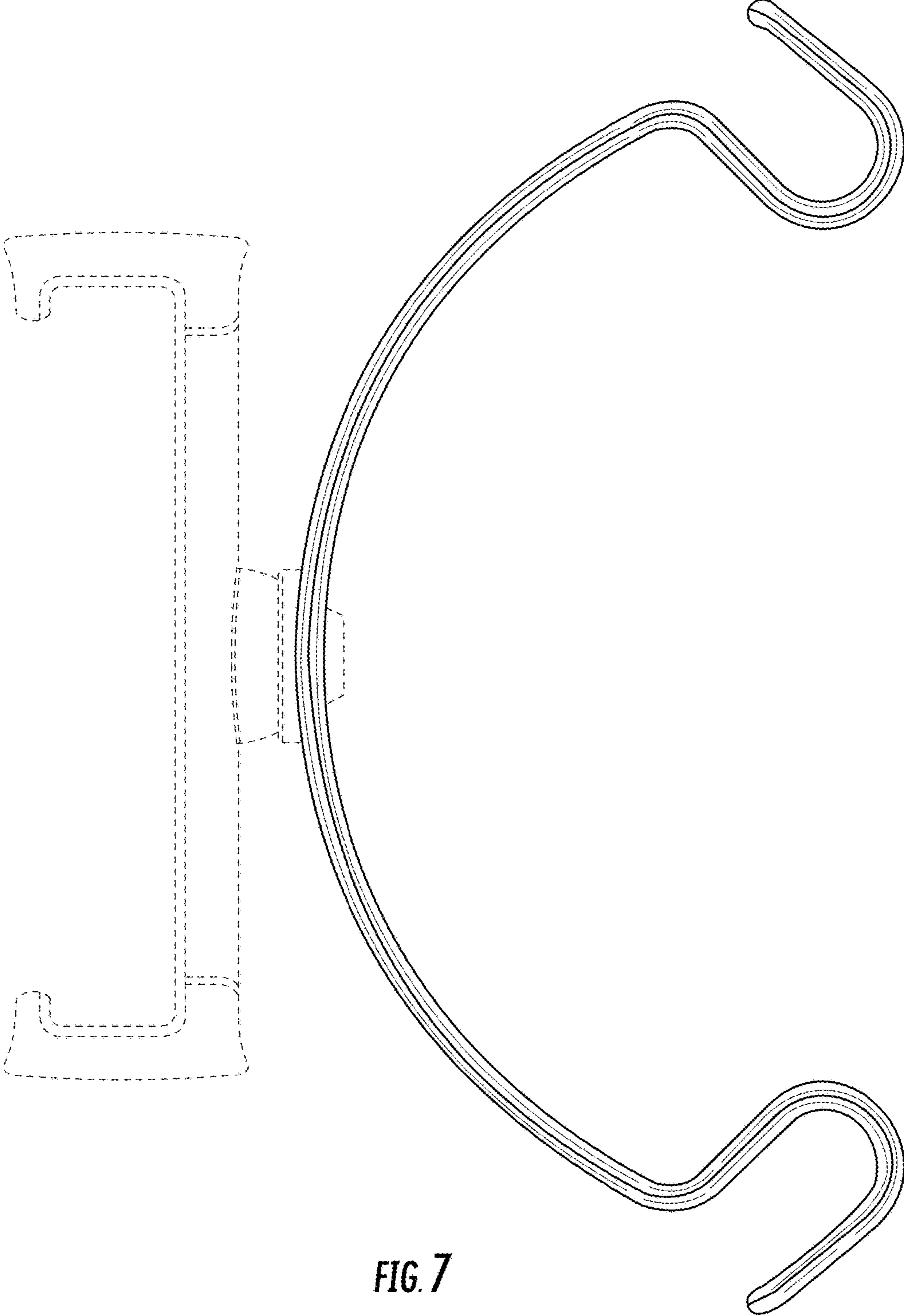


FIG. 7

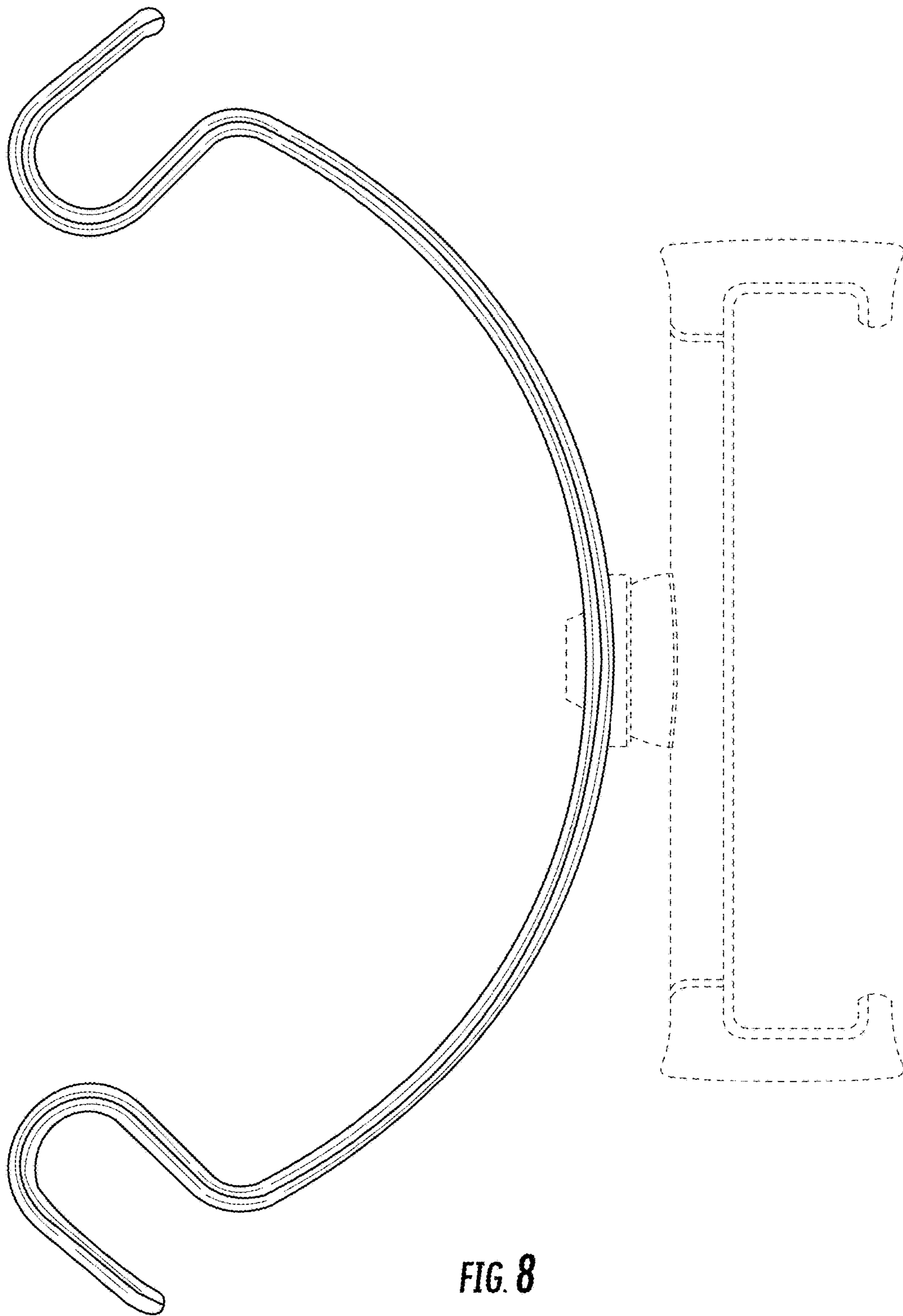


FIG. 8