



US00D818460S

(12) **United States Design Patent** (10) **Patent No.:** **US D818,460 S**  
**Montgomery** (45) **Date of Patent:** **\*\* May 22, 2018**

(54) **ANTENNA**

(71) Applicant: **Airgain Incorporated**, San Diego, CA (US)

(72) Inventor: **Mark Montgomery**, Melbourne Beach, FL (US)

(73) Assignee: **Airgain Incorporated**, San Diego, CA (US)

(\*\*) Term: **15 Years**

(21) Appl. No.: **29/606,670**

(22) Filed: **Jun. 7, 2017**

(51) **LOC (11) Cl.** ..... **14-03**

(52) **U.S. Cl.**  
USPC ..... **D14/230**

(58) **Field of Classification Search**  
USPC .... D14/137, 138 R, 138 AA, 148, 155, 167, D14/168, 230-238, 240, 242, 265, 299, D14/343, 358, 489, 492; D13/182  
CPC ..... H01Q 7/00; H01Q 13/10; H01Q 9/285; H01Q 19/30; H01Q 19/12; H01Q 1/38; H01Q 1/36; H01Q 1/0475; H01Q 1/034; H05K 11/00

See application file for complete search history.

7,333,067 B2 2/2008 Hung et al.  
7,336,959 B2 2/2008 Khitrik et al.  
7,339,529 B2\* 3/2008 Martek ..... H01Q 1/241  
343/700 MS

D573,589 S 7/2008 Montgomery et al.  
7,405,704 B1 8/2008 Lin et al.  
7,477,195 B2 1/2009 Vance  
7,486,249 B2\* 2/2009 Fujita ..... H01Q 9/065  
343/700 MS

D587,693 S \* 3/2009 Ohshima ..... D14/230  
D592,195 S 5/2009 Wu et al.  
7,570,215 B2 8/2009 Abramov et al.  
D599,334 S 9/2009 Chiang  
D606,053 S 12/2009 Wu et al.  
D607,442 S 1/2010 Su et al.  
D608,769 S 1/2010 Bufe  
D612,368 S 3/2010 Yang et al.  
7,705,783 B2 4/2010 Rao et al.  
7,729,662 B2 6/2010 Abramov et al.  
D621,819 S 8/2010 Tsai et al.

(Continued)

*Primary Examiner* — Jeffrey D Asch  
*Assistant Examiner* — Rebekah A Caruso  
(74) *Attorney, Agent, or Firm* — Clause Eight IPS; Michael Catania

(57) **CLAIM**

The ornamental design for an antenna, as shown and described.

**DESCRIPTION**

FIG. 1 is a top plan view of an antenna;  
FIG. 2 is a side elevation view thereof;  
FIG. 3 is an opposite side elevation view thereof;  
FIG. 4 is a front elevation view thereof;  
FIG. 5 is a rear elevation view thereof;  
FIG. 6 is bottom plan view thereof; and,  
FIG. 7 is a top perspective view thereof.  
The broken line showing of a base is for environmental purposes only and forms no part of the claimed invention.

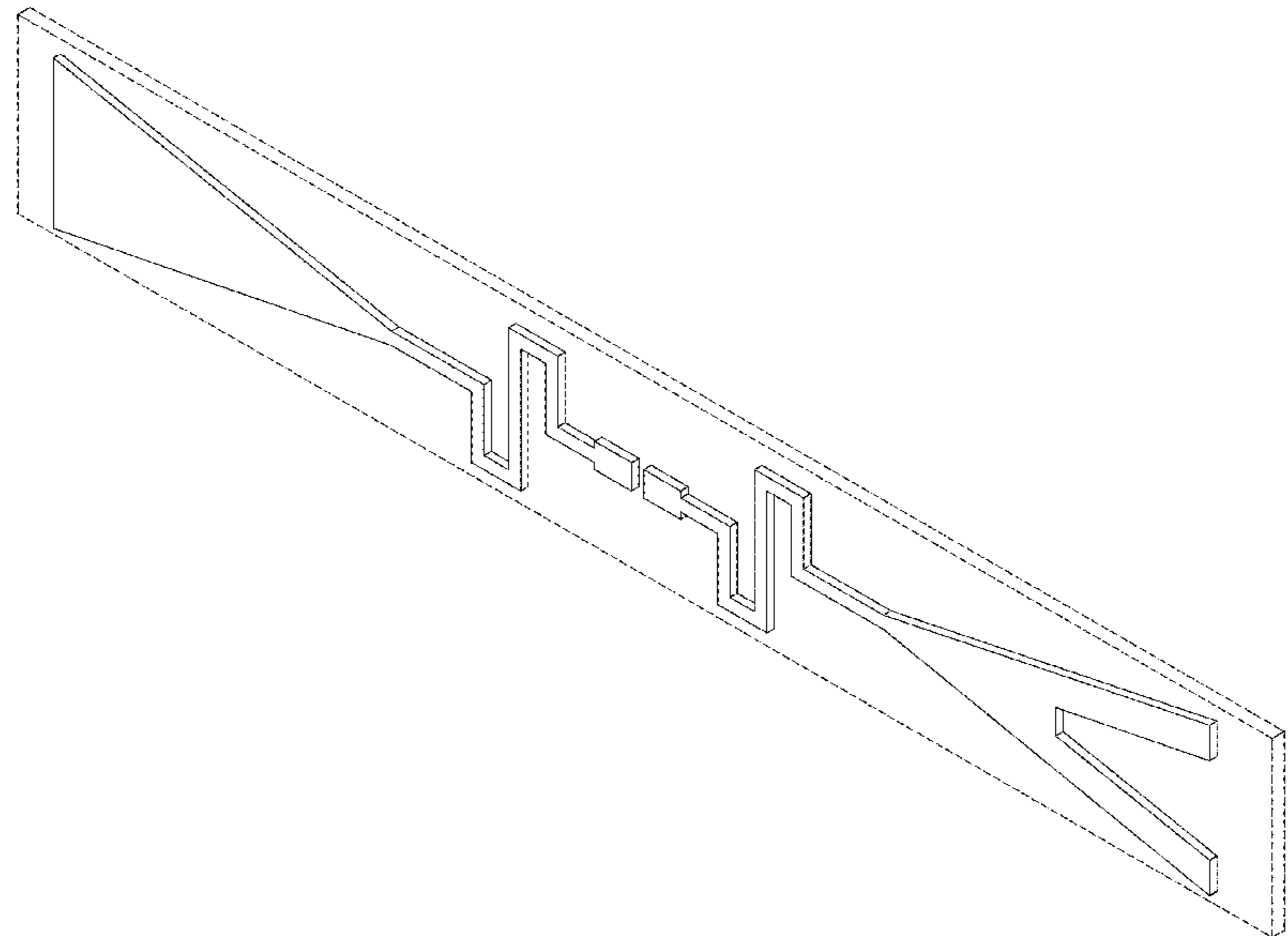
**1 Claim, 7 Drawing Sheets**

(56) **References Cited**

U.S. PATENT DOCUMENTS

D434,752 S \* 12/2000 Kudo ..... 343/795  
6,864,842 B2\* 3/2005 Hung ..... H01Q 1/38  
343/700 MS  
7,019,704 B2\* 3/2006 Weiss ..... H01Q 9/285  
343/700 MS

7,061,437 B2 6/2006 Lin et al.  
7,148,849 B2 12/2006 Lin  
7,215,296 B2 5/2007 Abramov et al.  
D546,821 S 7/2007 Oliver  
D549,696 S 8/2007 Oshima et al.



(56)

References Cited

U.S. PATENT DOCUMENTS

7,843,390 B2 11/2010 Liu  
 D633,483 S 3/2011 Su et al.  
 D635,127 S 3/2011 Tsai et al.  
 7,907,971 B2 3/2011 Salo et al.  
 D635,560 S 4/2011 Tsai et al.  
 D635,963 S 4/2011 Podduturi  
 D635,964 S 4/2011 Podduturi  
 D635,965 S 4/2011 Mi et al.  
 D636,382 S 4/2011 Podduturi  
 7,965,242 B2 6/2011 Abramov et al.  
 D649,962 S 12/2011 Tseng et al.  
 D651,198 S 12/2011 Mi et al.  
 D654,059 S 2/2012 Mi et al.  
 D654,060 S 2/2012 Ko et al.  
 D658,639 S 5/2012 Huang et al.  
 D659,129 S 5/2012 Mi et al.  
 D659,685 S 5/2012 Huang et al.  
 D659,688 S 5/2012 Huang et al.  
 8,175,036 B2 5/2012 Visuri et al.  
 8,184,601 B2 5/2012 Abramov et al.  
 D662,916 S 7/2012 Huang et al.  
 8,248,970 B2 8/2012 Abramov et al.  
 D671,097 S 11/2012 Mi et al.  
 8,310,402 B2 11/2012 Yang  
 D676,429 S 2/2013 Gosalia et al.  
 D678,255 S 3/2013 Ko et al.  
 8,423,084 B2 4/2013 Abramov et al.  
 D684,565 S 6/2013 Wei  
 D685,352 S 7/2013 Wei  
 D685,772 S 7/2013 Zheng et al.  
 D686,600 S 7/2013 Yang  
 D689,474 S 9/2013 Yang et al.  
 D692,870 S 11/2013 He  
 D694,738 S 12/2013 Yang  
 D695,279 S 12/2013 Yang et al.  
 D695,280 S 12/2013 Yang et al.  
 8,654,030 B1 2/2014 Mercer  
 D703,195 S 4/2014 Zheng  
 D703,196 S 4/2014 Zheng  
 D706,247 S 6/2014 Zheng et al.

D706,750 S 6/2014 Bringuir  
 D706,751 S 6/2014 Chang et al.  
 D708,602 S \* 7/2014 Gosalia ..... D14/230  
 D709,053 S 7/2014 Chang et al.  
 D710,832 S 8/2014 Yang  
 D710,833 S 8/2014 Zheng et al.  
 8,854,265 B1 10/2014 Yang et al.  
 D716,775 S 11/2014 Bidermann  
 9,432,070 B2 8/2016 Mercer  
 D766,221 S \* 9/2016 Zheng ..... D14/230  
 D766,882 S \* 9/2016 Schulteis ..... D14/230  
 D784,965 S \* 4/2017 Chang ..... D14/230  
 D788,082 S \* 5/2017 Zheng ..... D14/230  
 D788,083 S \* 5/2017 Zheng ..... D14/230  
 D791,744 S \* 7/2017 Forster ..... D14/230  
 D792,870 S \* 7/2017 Zheng ..... D14/230  
 D794,616 S \* 8/2017 Gosalia ..... D14/230  
 D795,847 S \* 8/2017 He ..... D14/230  
 D798,280 S \* 9/2017 Zheng ..... D14/230  
 D801,318 S \* 10/2017 Manivannan ..... D14/230  
 D807,334 S \* 1/2018 Iellici ..... D14/230  
 2002/0003499 A1 1/2002 Kouarn et al.  
 2004/0222936 A1 11/2004 Hung et al.  
 2005/0073462 A1 4/2005 Lin et al.  
 2005/0190108 A1 9/2005 Lin et al.  
 2006/0208900 A1 9/2006 Tavassoli Hozouri  
 2007/0030203 A1 2/2007 Tsai et al.  
 2008/0150829 A1 6/2008 Lin et al.  
 2008/0158085 A1 \* 7/2008 Lu ..... H01Q 1/36  
 343/793  
 2009/0002244 A1 1/2009 Woo  
 2009/0058739 A1 3/2009 Konishi  
 2009/0135072 A1 5/2009 Ke et al.  
 2009/0262028 A1 10/2009 Murnbru et al.  
 2010/0134292 A1 \* 6/2010 Deavours ..... H01Q 1/38  
 340/572.7  
 2010/0188297 A1 7/2010 Chen et al.  
 2010/0309067 A1 12/2010 Tsou et al.  
 2011/0006950 A1 1/2011 Park et al.  
 2012/0038514 A1 2/2012 Bang  
 2012/0229348 A1 9/2012 Chiang  
 2012/0242546 A1 9/2012 Hu et al.

\* cited by examiner

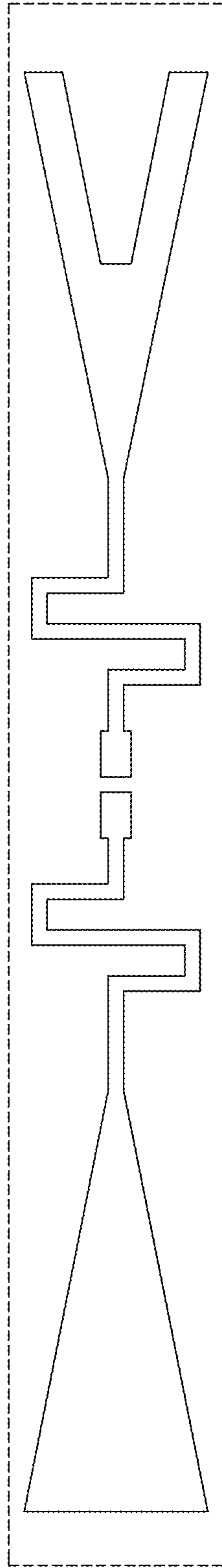


FIG. 1

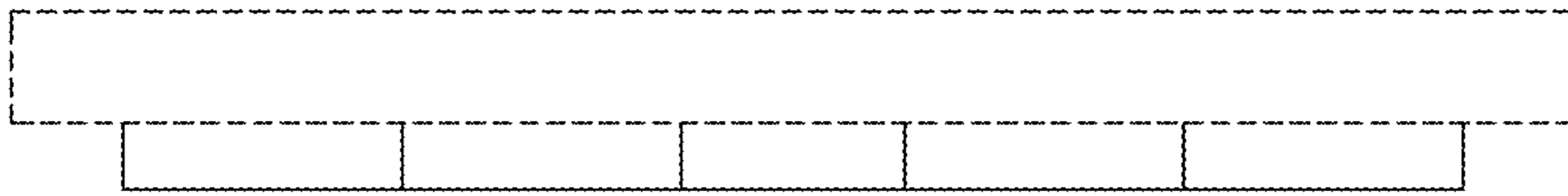


FIG. 2

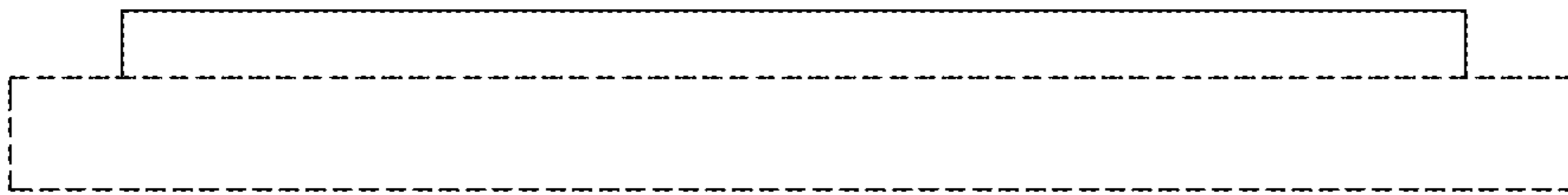


FIG. 3

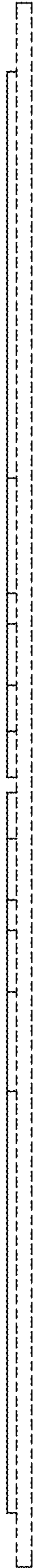


FIG. 4

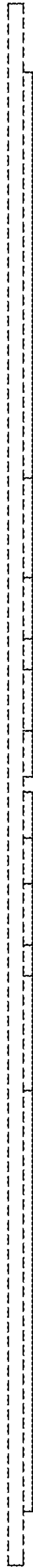


FIG. 5

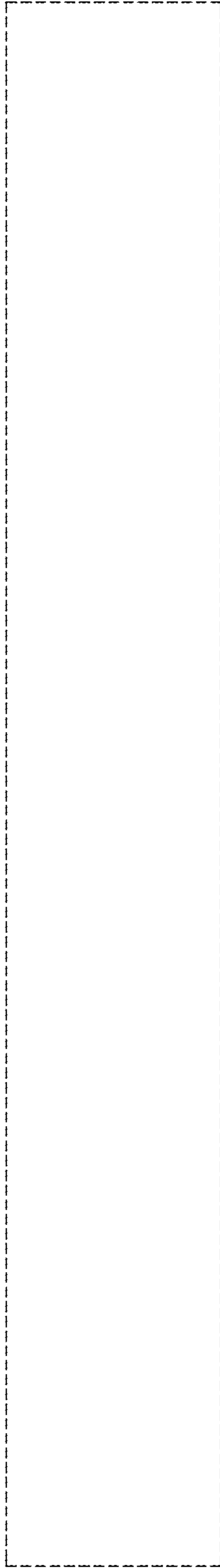


FIG. 6



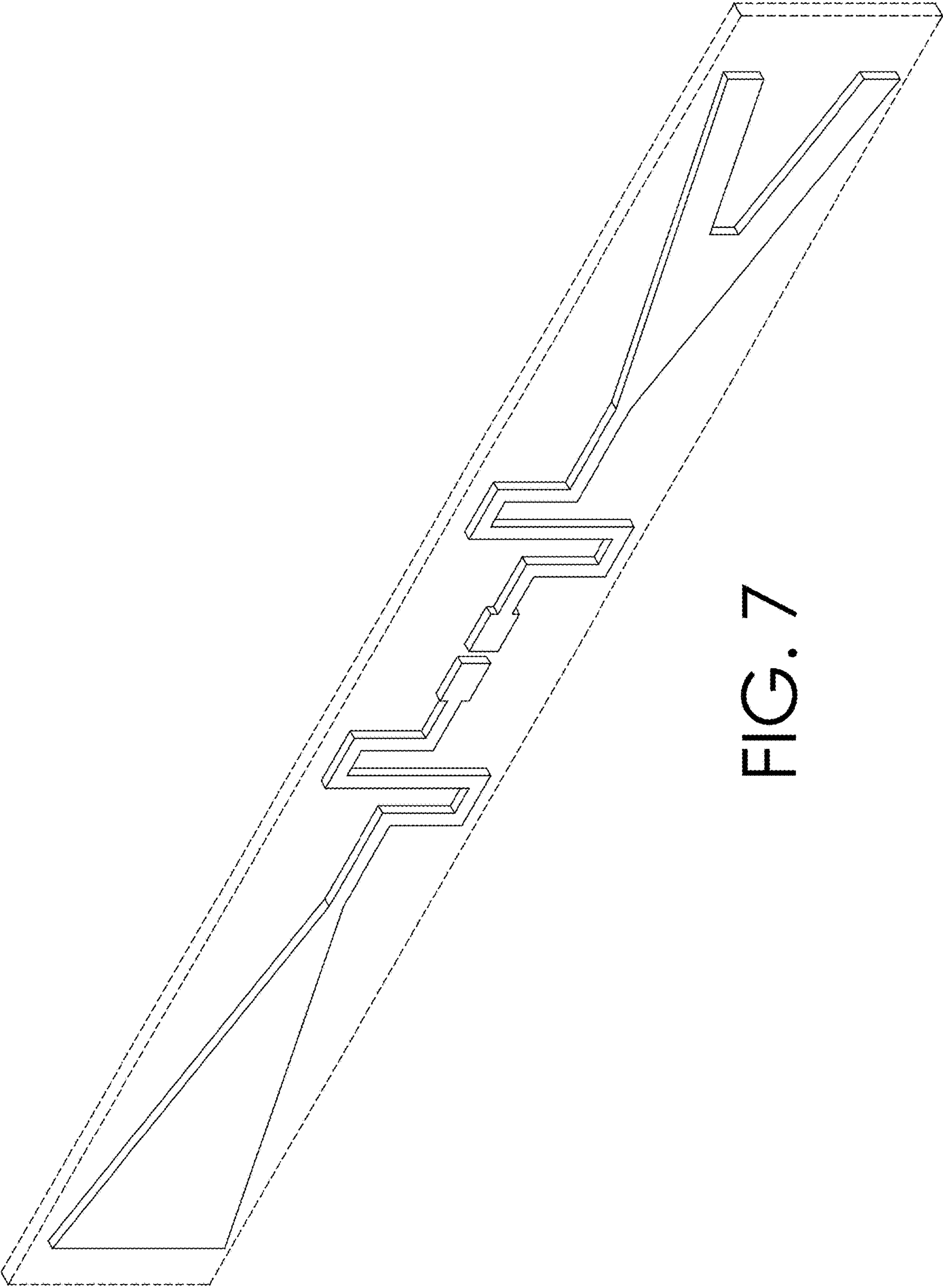


FIG. 7