



US00D818459S

(12) **United States Design Patent** (10) **Patent No.:** **US D818,459 S**
Forster (45) **Date of Patent:** **** *May 22, 2018**

(54) **ANTENNA DESIGN**

(71) Applicant: **Avery Dennison Retail Information Services, LLC**, Westborough, MA (US)

(72) Inventor: **Ian J. Forster**, Chelmsford (GB)

(73) Assignee: **AVERY DENNISON RETAIL INFORMATION SERVICES, LLC**, Mentor, OH (US)

(*) Notice: This patent is subject to a terminal disclaimer.

(**) Term: **15 Years**

(21) Appl. No.: **29/576,060**

(22) Filed: **Aug. 31, 2016**

(51) **LOC (11) Cl.** **14-03**

(52) **U.S. Cl.**
USPC **D14/230**

(58) **Field of Classification Search**
USPC D5/15, 25, 29; D12/42-43; D14/138, D14/230-238.1, 299, 358

CPC H01Q 7/00; H01Q 13/10; H01L 33/486; H01L 23/02; H05K 5/00; F16L 3/2235; F16L 3/227; Y10T 403/7141

See application file for complete search history.

(56) **References Cited**

U.S. PATENT DOCUMENTS

5,791,654 A *	8/1998	Gaines	H05K 9/0015 174/357
D637,898 S *	5/2011	Tedesco	D8/380
D654,355 S *	2/2012	Cheng	D11/200
D657,658 S *	4/2012	Jones	D8/354
D733,531 S *	7/2015	Tonthat	D8/354
D736,074 S *	8/2015	Soliman	D8/394
D771,601 S *	11/2016	Chen	D14/230
D787,483 S *	5/2017	Forster	D14/230
D787,484 S *	5/2017	Forster	D14/230

* cited by examiner

Primary Examiner — John Windmuller

Assistant Examiner — Benjamin M Weeks

(74) *Attorney, Agent, or Firm* — Avery Dennison Retail Information Services, LLC

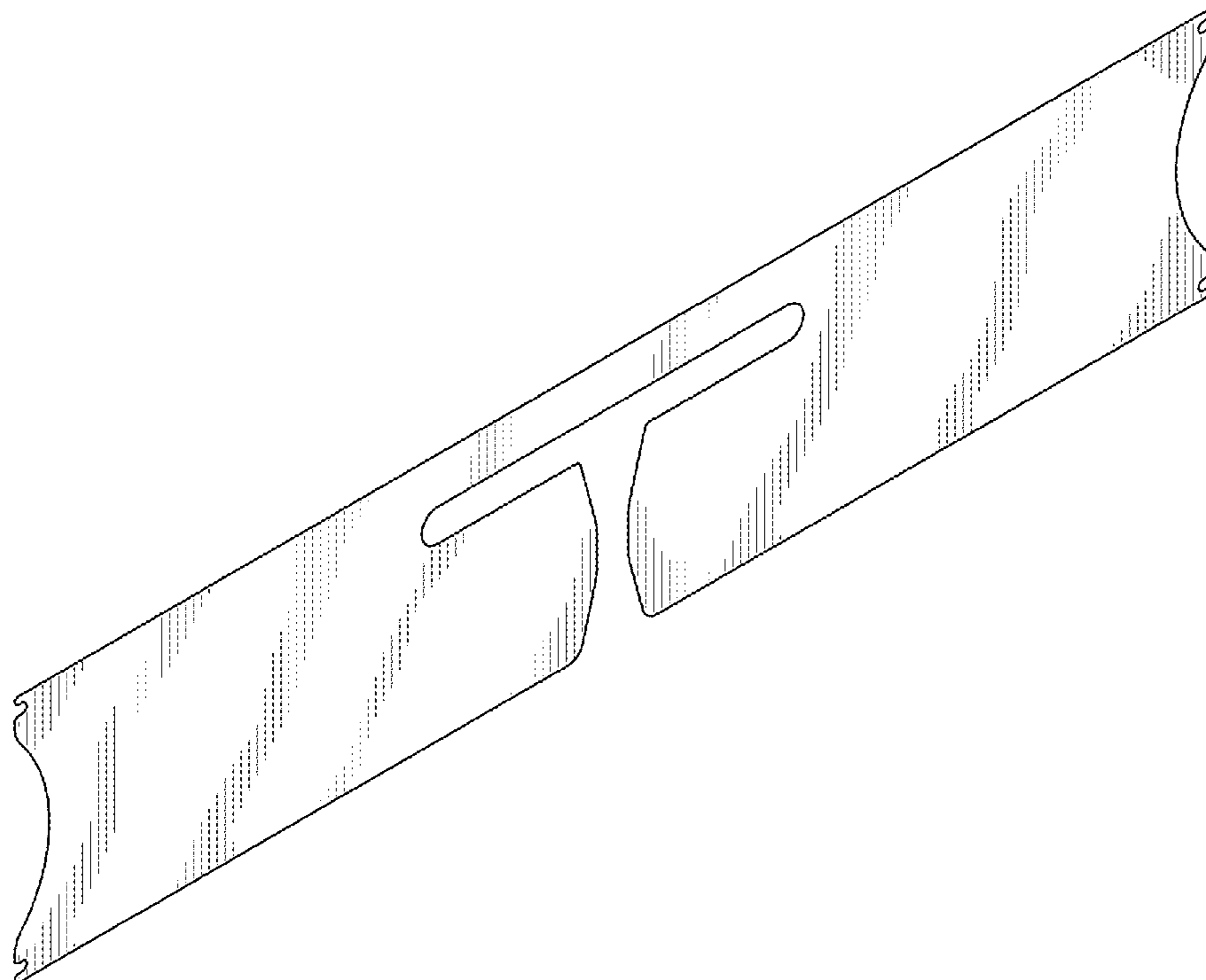
(57) **CLAIM**

The ornamental design for an antenna, as shown and described.

DESCRIPTION

FIG. 1 is an isometric view of the new antenna design; and, FIG. 2 is a top view of the new antenna design.

1 Claim, 2 Drawing Sheets



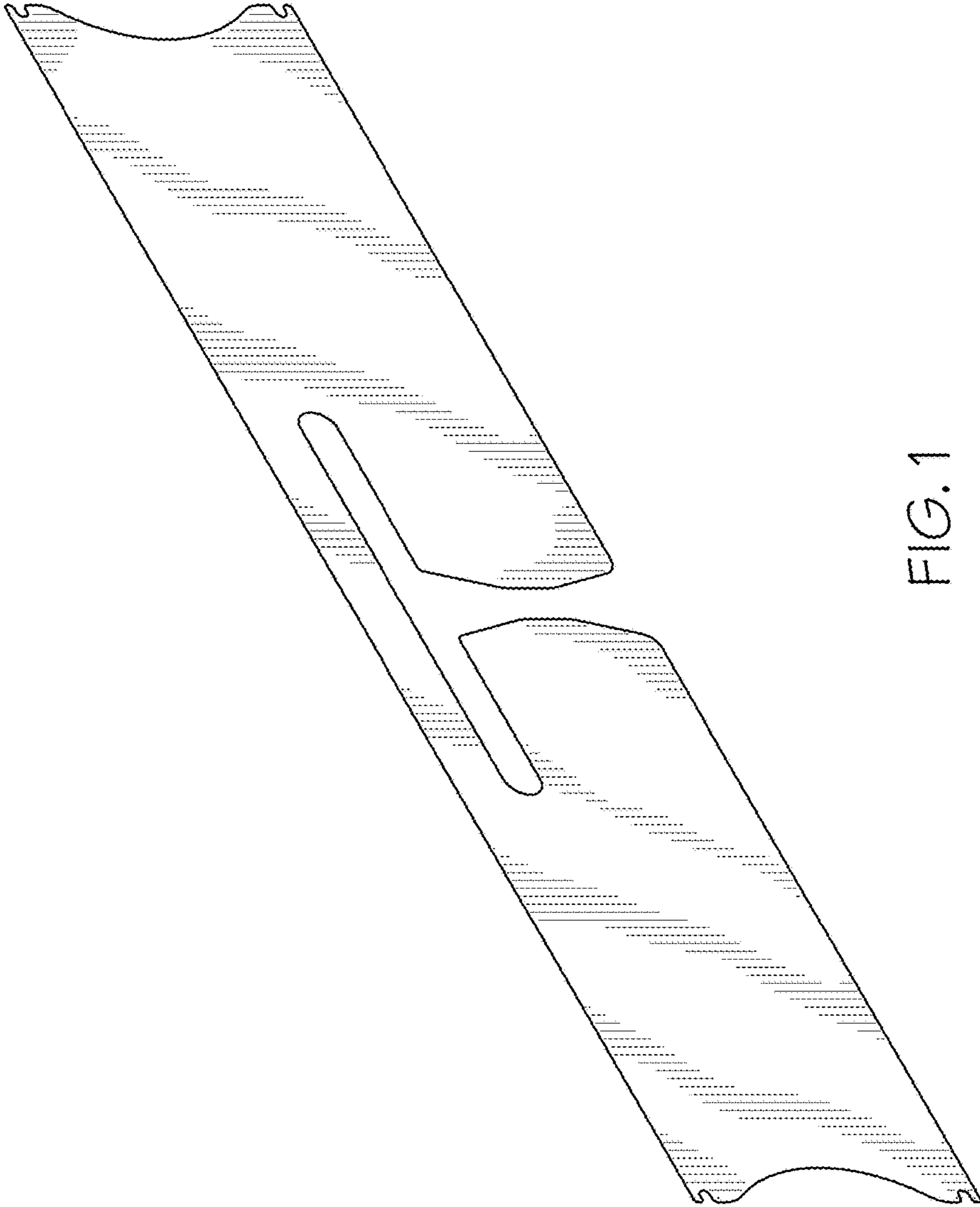


FIG. 1

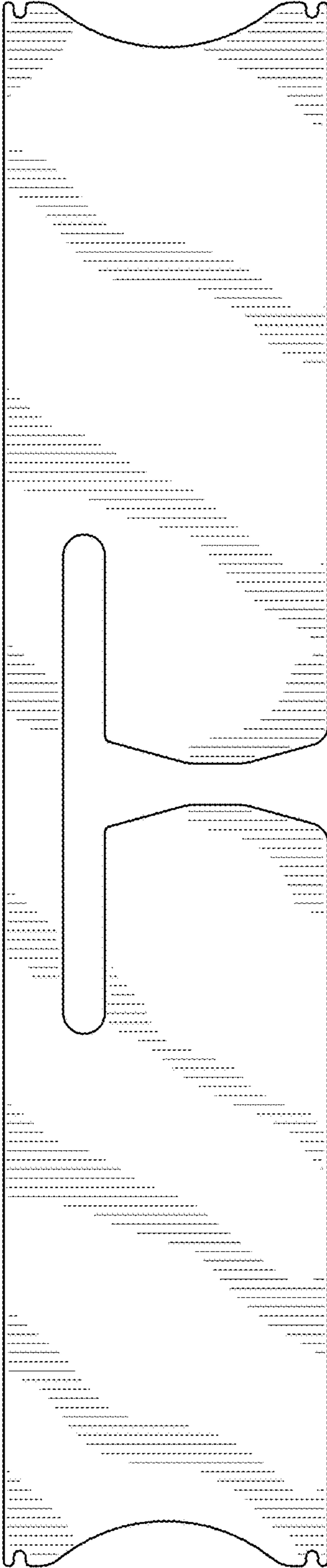


FIG. 2