



US00D818458S

(12) **United States Design Patent**  
**Lee et al.**

(10) **Patent No.:** **US D818,458 S**  
(45) **Date of Patent:** **\*\* May 22, 2018**

(54) **HEADSET BRACKET**

(71) Applicants: **Baron King Lee**, Santa Ana, CA (US);  
**Peter Leekuo Chou**, Orange, CA (US)

(72) Inventors: **Baron King Lee**, Santa Ana, CA (US);  
**Peter Leekuo Chou**, Orange, CA (US)

(73) Assignee: **KINGSTON TECHNOLOGY CORP.**,  
Fountain Valley, CA (US)

(\*\*) Term: **15 Years**

(21) Appl. No.: **29/571,540**

(22) Filed: **Jul. 19, 2016**

(51) **LOC (11) Cl.** ..... **14-01**

(52) **U.S. Cl.**  
USPC ..... **D14/223**

(58) **Field of Classification Search**  
USPC ..... D14/205–206, 223, 225, 372, 433;  
D29/112; D24/173–174  
CPC ..... H04R 1/10; H04R 1/1016; H04R 1/1066;  
H04R 1/105; H04R 1/1033; H04R 1/08;  
H04R 5/033; H04R 5/0335; H04R 25/00  
See application file for complete search history.

(56) **References Cited**

**U.S. PATENT DOCUMENTS**

D613,265 S *	4/2010	Ponzio	.....	D14/205
D613,266 S	4/2010	Barry et al.		
D642,554 S *	8/2011	Schaal	.....	D14/205
D658,630 S *	5/2012	Gondo	.....	D14/205
D666,990 S	9/2012	Komiyama et al.		
D761,761 S *	7/2016	Ando	.....	D14/205
D787,469 S *	5/2017	Djohar	.....	D14/205

D787,470 S *	5/2017	Kelly	.....	D14/205
D795,218 S *	8/2017	Ohmachi	.....	D14/205
2017/0148428 A1 *	5/2017	Thuy	.....	G10K 11/1788

**OTHER PUBLICATIONS**

Beyerdynamic T 5 p (2nd Generation) Headphone Specification Sheet.  
Beyerdynamic T 1 (2nd Generation) Headphone Specification Sheet.

\* cited by examiner

*Primary Examiner* — Barbara Fox

*Assistant Examiner* — Messina L Smith

(74) *Attorney, Agent, or Firm* — Law Offices of S.J. Christine Yang

(57) **CLAIM**

The ornamental design for a headset bracket, as shown and described.

**DESCRIPTION**

FIG. 1 is a perspective view of a headset bracket illustrating the present invention.

FIG. 2 is a side view of the headset bracket of FIG. 1.

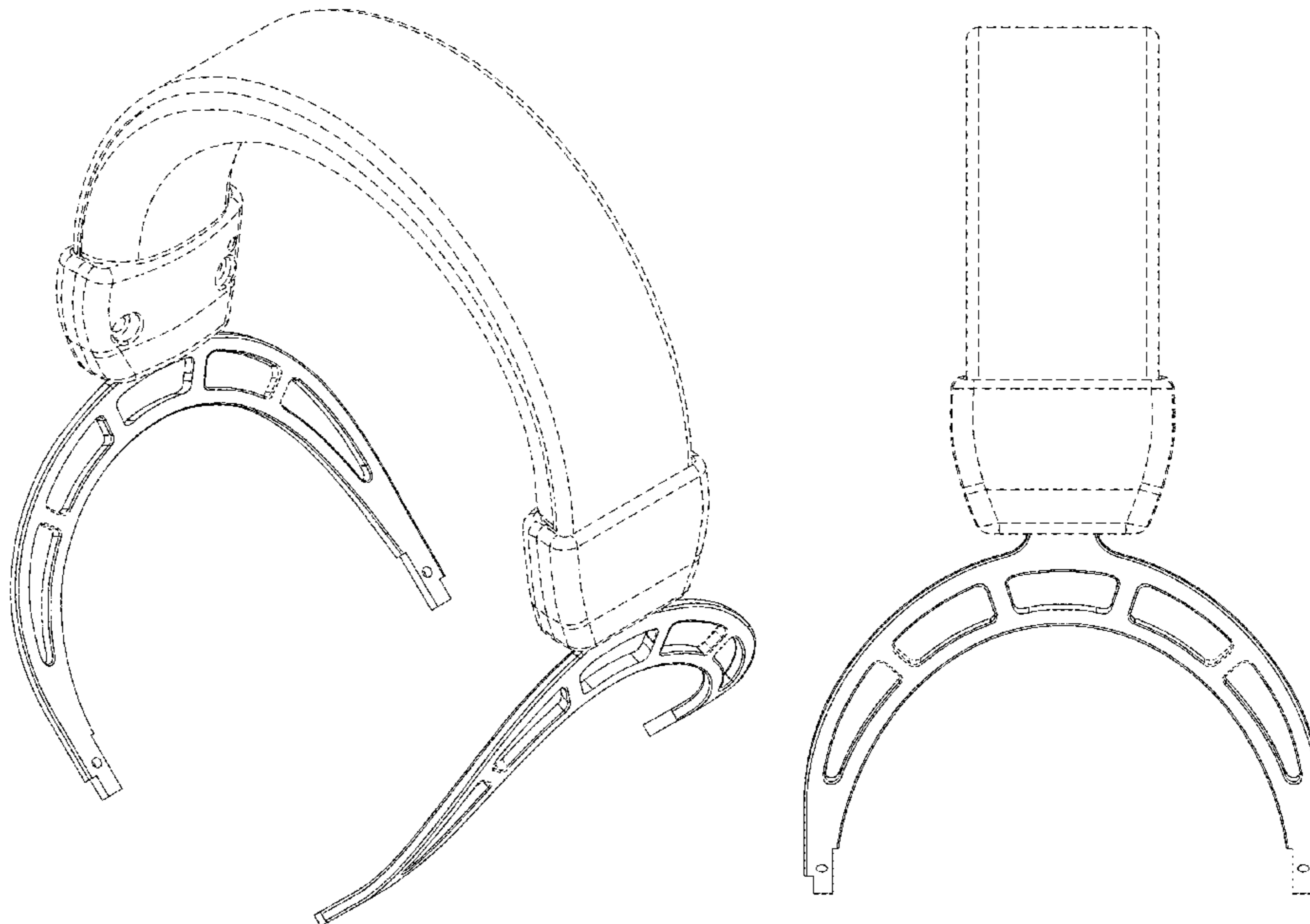
FIG. 3 is a top view of the headset bracket of FIG. 1.

FIG. 4 is a second side view of the headset bracket of FIG. 1.

FIG. 5 is a bottom view of the headset bracket of FIG. 1; and,

FIG. 6 is another side view of the headset bracket of FIG. 1. The broken line showing of the head band in FIGS. 1-6 depicts environment and forms no part of the claimed design. All other broken lines depict portions of the headset bracket that form no part of the claimed design.

**1 Claim, 6 Drawing Sheets**



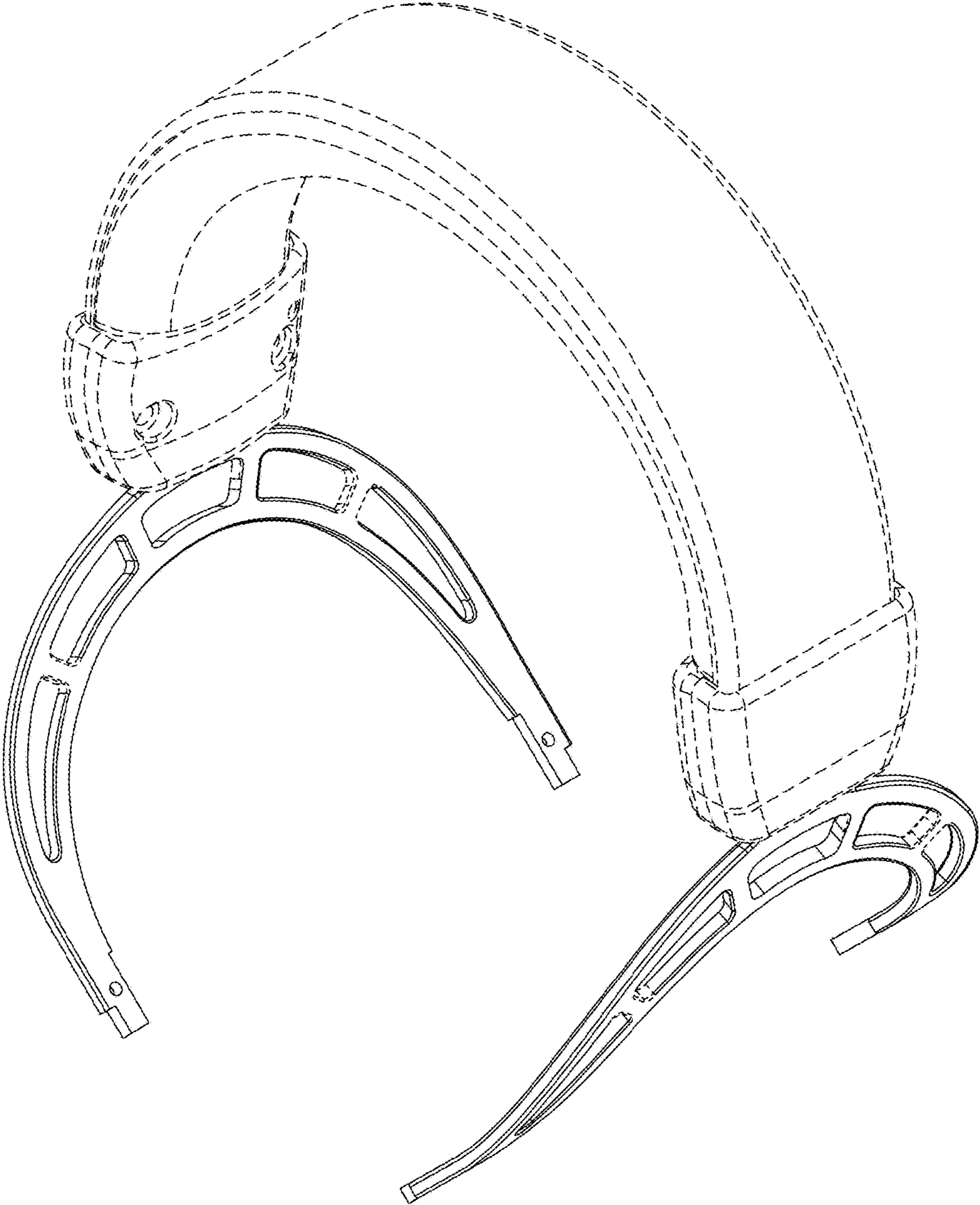


FIGURE 1

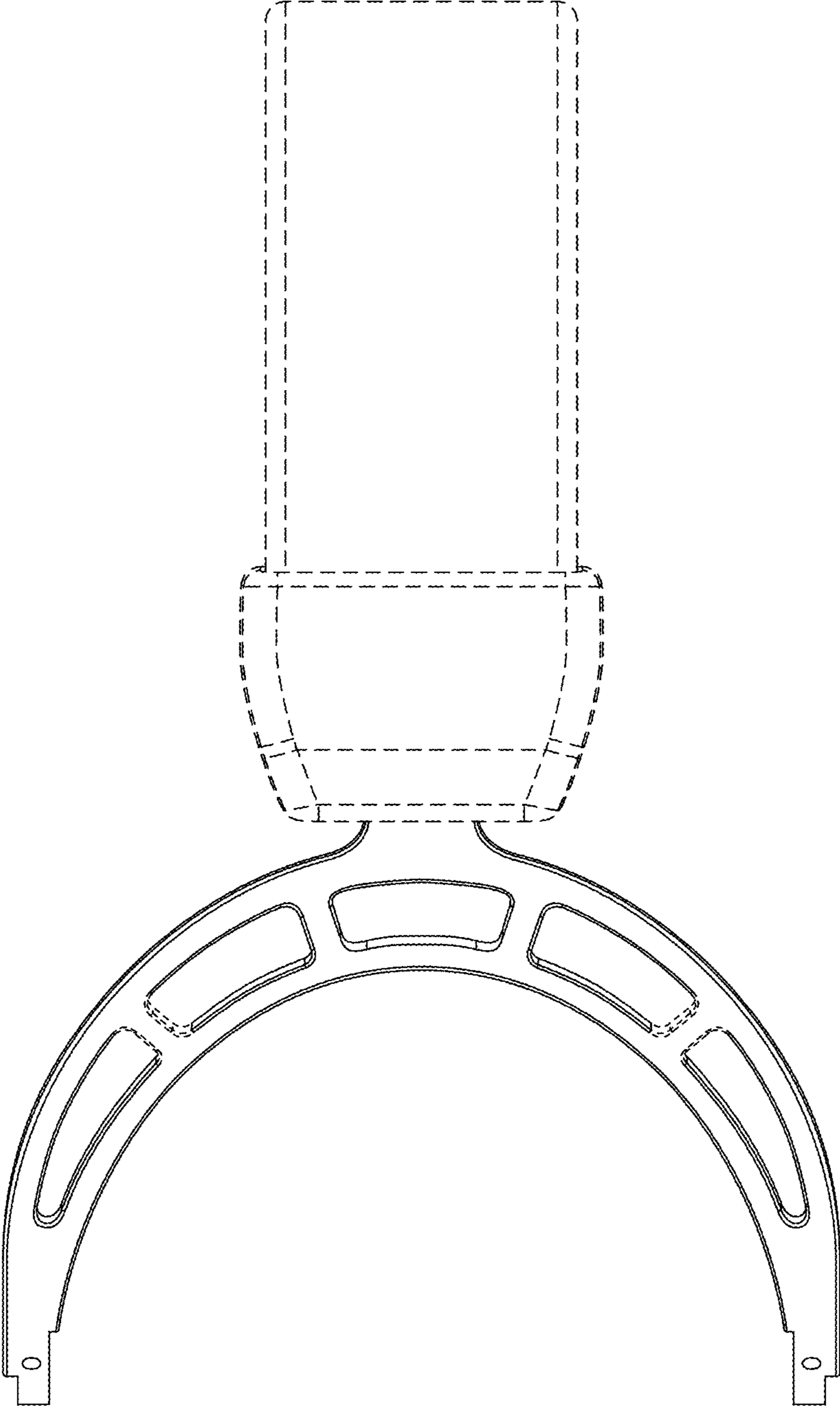


FIGURE 2

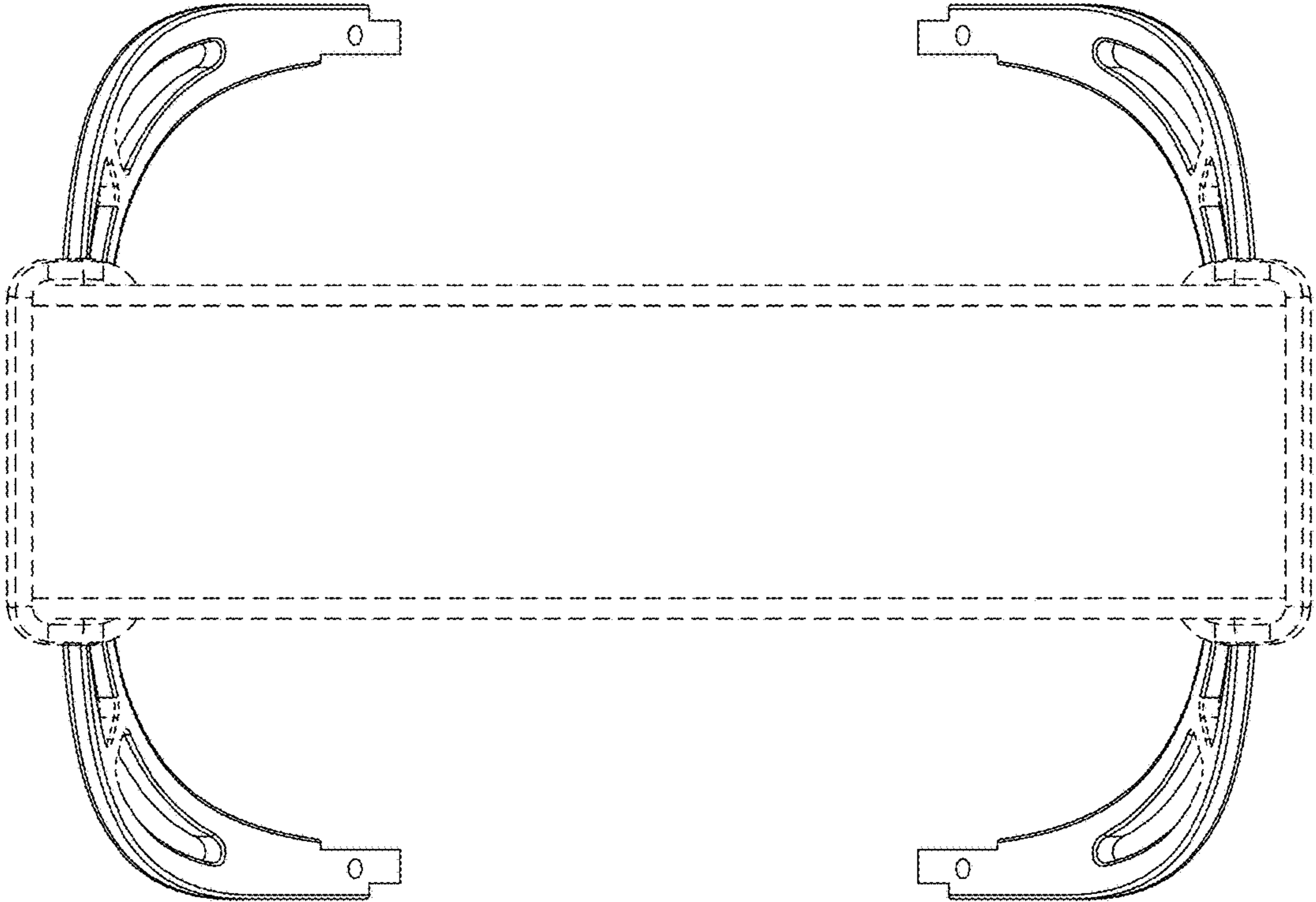


FIGURE 3

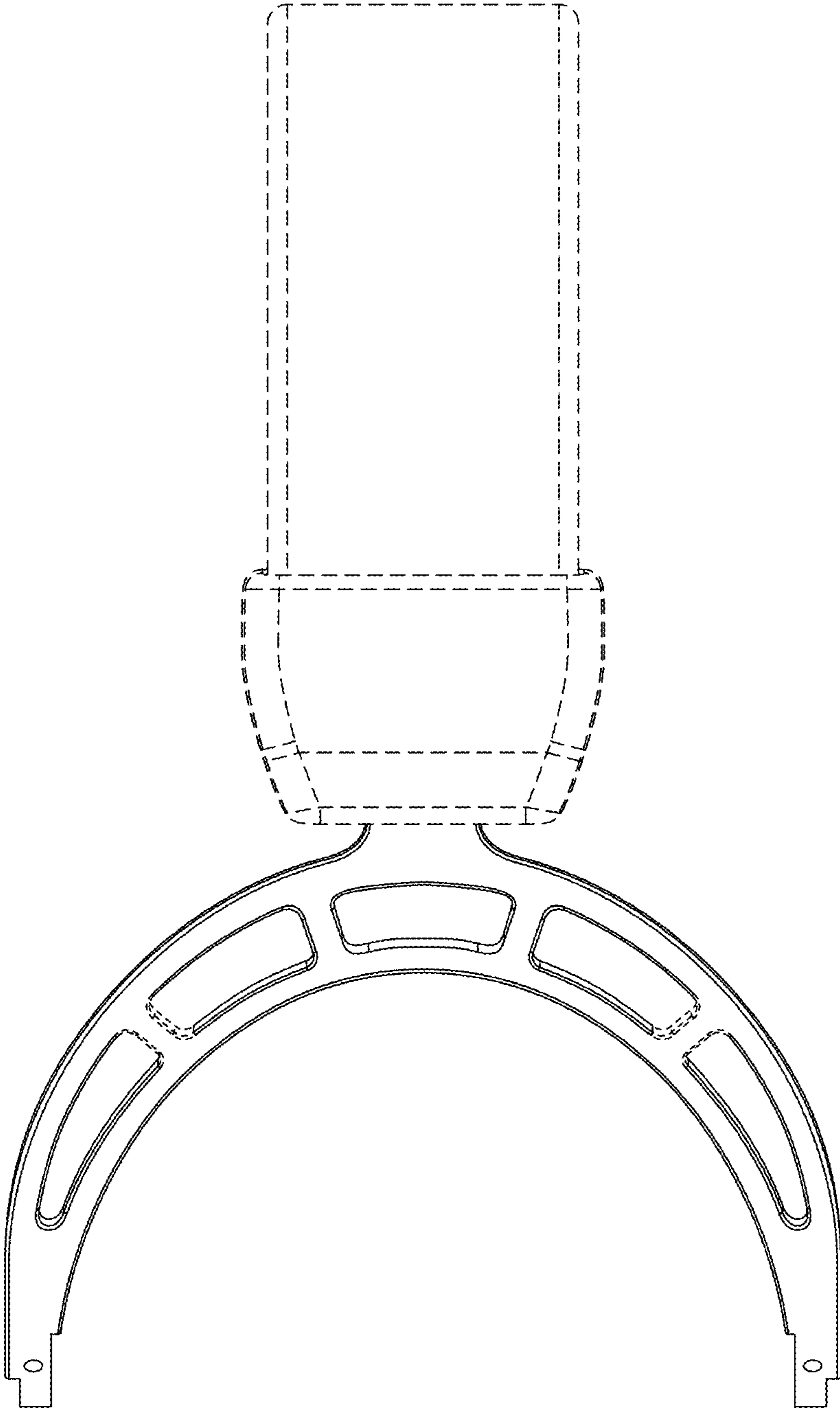


FIGURE 4

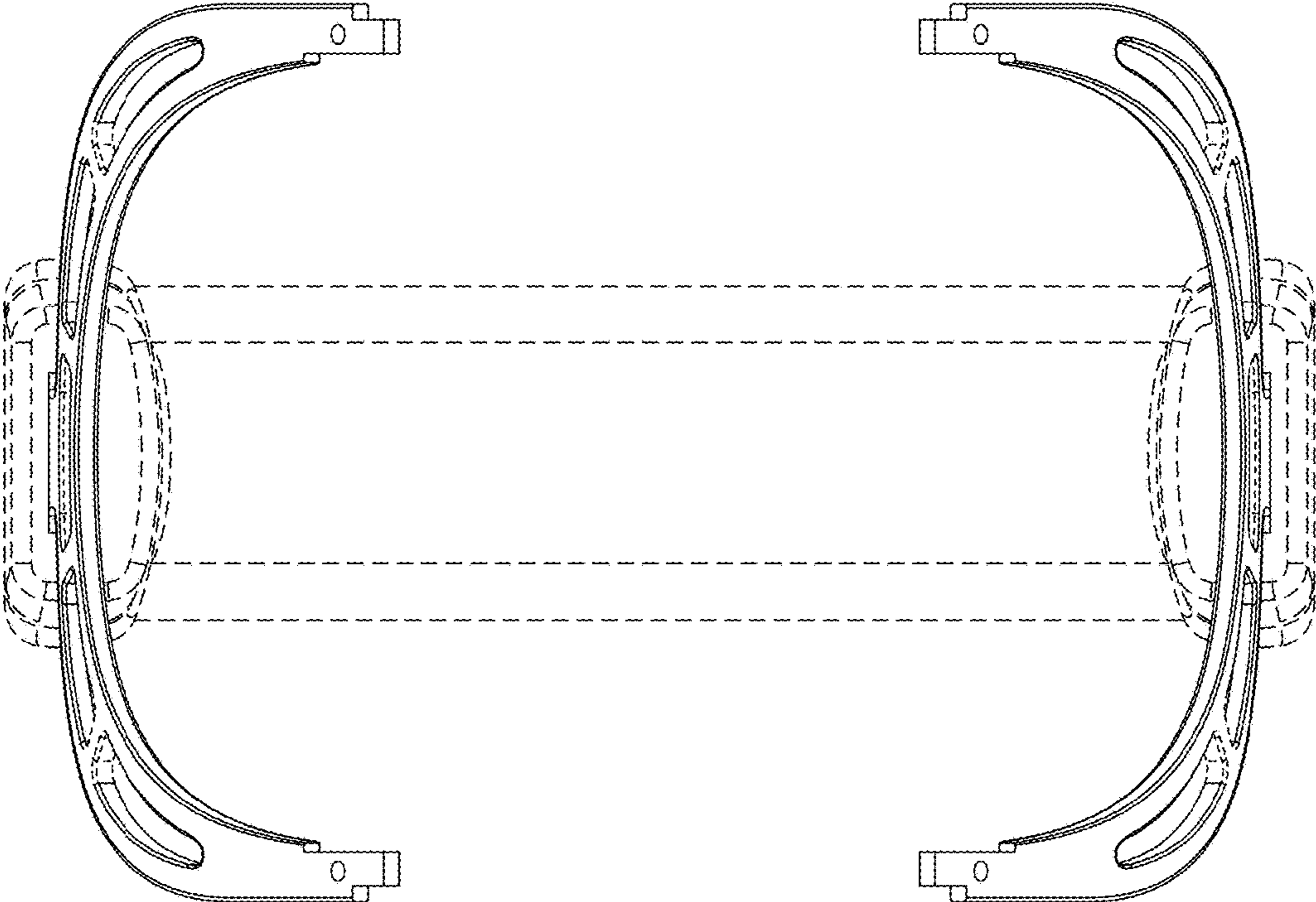


FIGURE 5

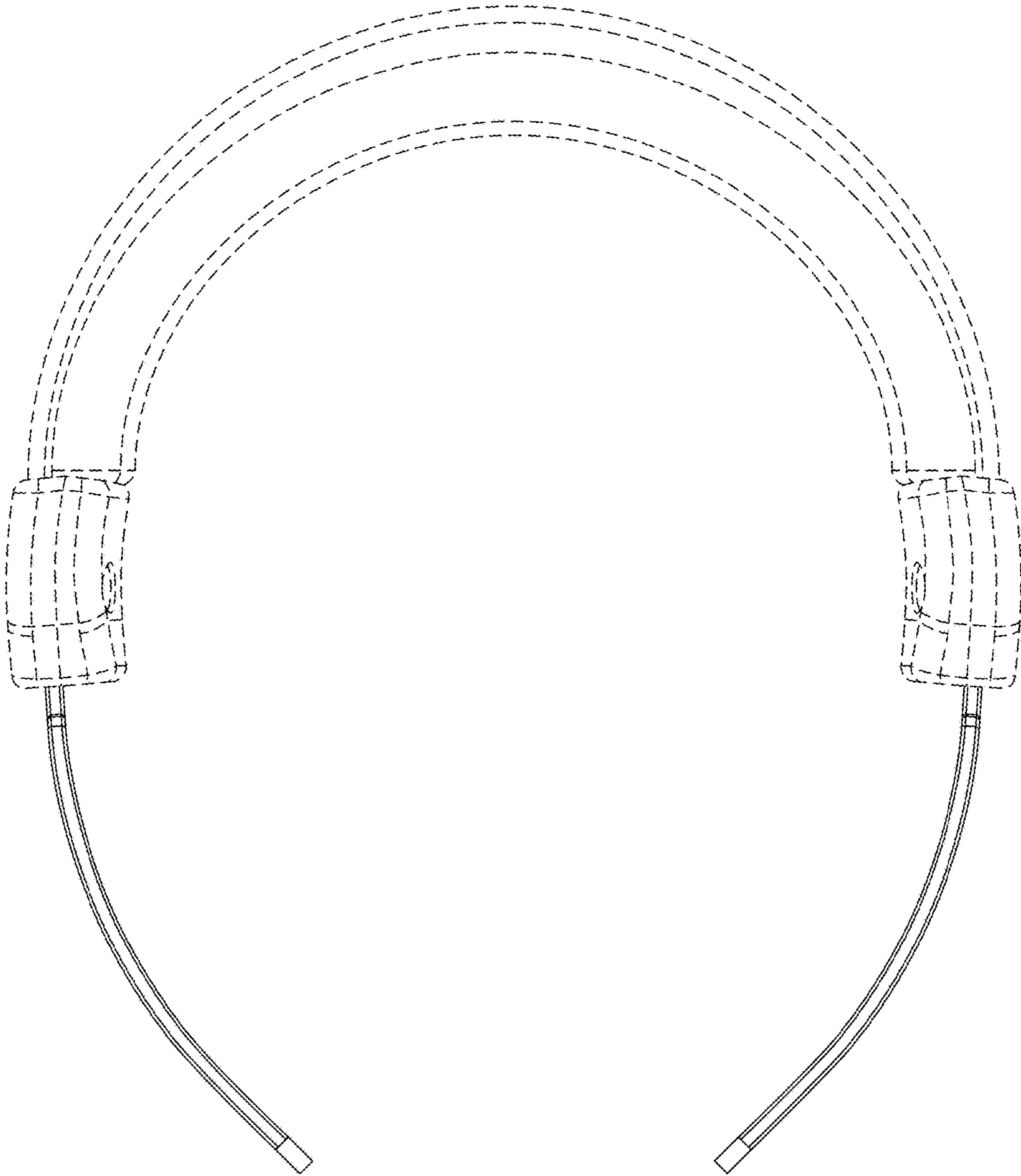


FIGURE 6