



US00D818455S

(12) **United States Design Patent**
McManigal et al.

(10) **Patent No.:** **US D818,455 S**
(45) **Date of Patent:** **** May 22, 2018**

(54) **SOUNDBAR**

(71) Applicant: **Vizio Inc**, Irvine, CA (US)
(72) Inventors: **Scott McManigal**, Irvine, CA (US);
Howard Cheng, Irvine, CA (US)
(73) Assignee: **Vizio, Inc**, Irvine, CA (US)
(**) Term: **15 Years**

(21) Appl. No.: **29/562,463**
(22) Filed: **Apr. 26, 2016**
(51) **LOC (11) Cl.** **14-03**
(52) **U.S. Cl.**
USPC **D14/214**
(58) **Field of Classification Search**
USPC D14/167, 168, 170-172, 188, 194-196,
D14/204, 207, 209.1, 210-216, 219, 221,
D14/222, 224, 239, 496; 181/143, 144,
181/147, 148, 150, 153, 157, 198, 199;
381/300-303, 306, 332, 333, 336, 345,
381/361-364, 386-388; 369/6-12
CPC B60R 11/0217; G06F 1/1688; G10K 9/22;
G10K 11/004; H03F 1/327; H04M 1/03;
H04M 1/035; H04N 5/642; H04N
21/4852; H04R 1/02; H04R 1/06; H04R
1/021; H04R 1/025; H04R 1/026; H04R
1/028; H04R 1/105; H04R 1/323; H04R
1/403; H04R 1/2803; H04R 1/2834;
H04R 5/02; H04R 7/20; H04R 9/06;
H04R 9/025; H04R 2201/021; H04R
2400/00; H04R 2400/07; H04R 2499/11;
H04R 2499/13; H04R 2499/15; H04S
3/00; H04S 7/30

See application file for complete search history.

(56) **References Cited**

U.S. PATENT DOCUMENTS

D715,257 S	*	10/2014	Son	D14/214
D719,931 S	*	12/2014	Wang	D14/204
D754,100 S	*	4/2016	McManigal	D14/214
D756,968 S	*	5/2016	Huang	D14/214
D759,624 S	*	6/2016	Byrd	D14/204
D766,873 S	*	9/2016	Washio	D14/214
D785,596 S	*	5/2017	Lewis	D14/214

* cited by examiner

Primary Examiner — Keli L Hill

(74) *Attorney, Agent, or Firm* — Law Office of Scott C Harris, Inc

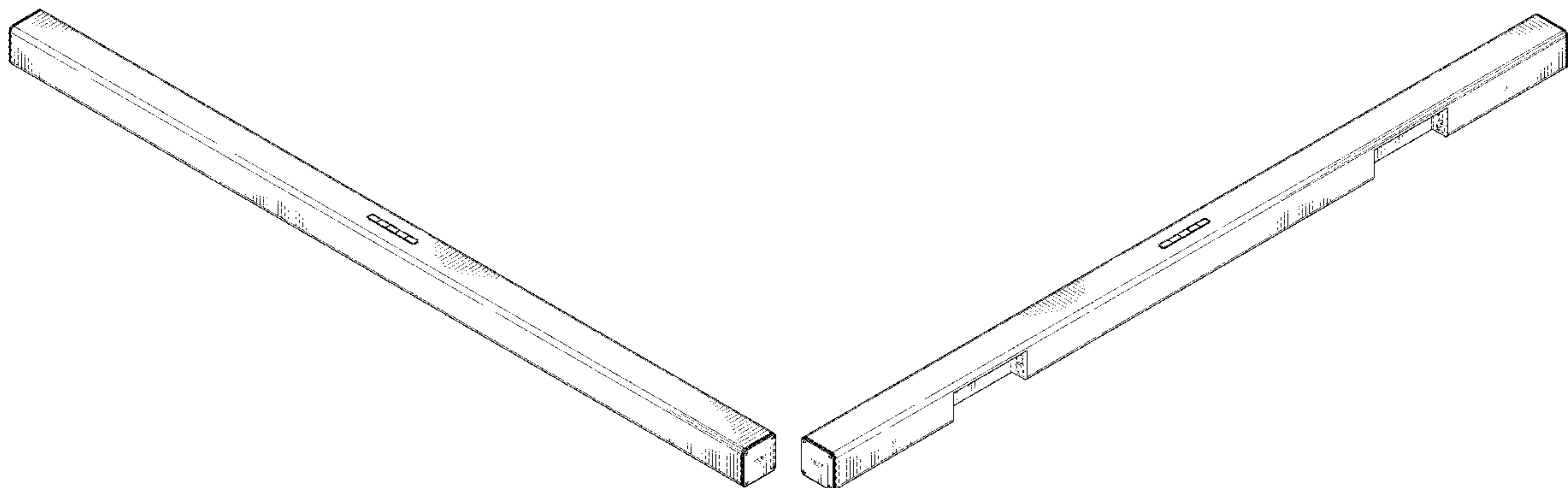
(57) **CLAIM**

We claim the ornamental design for a soundbar, as shown and described.

DESCRIPTION

FIG. 1 shows a first perspective view of the soundbar;
FIG. 2 shows a second perspective view of the soundbar
FIG. 3 shows a front view of the soundbar;
FIG. 4 shows a rear view of the soundbar;
FIG. 5 shows a first side view of the soundbar;
FIG. 6 shows a second side view of the soundbar;
FIG. 7 shows a top view of the soundbar; and,
FIG. 8 shows a bottom view of the soundbar.
The portions shown in broken lines form no part of the claimed design.

1 Claim, 3 Drawing Sheets



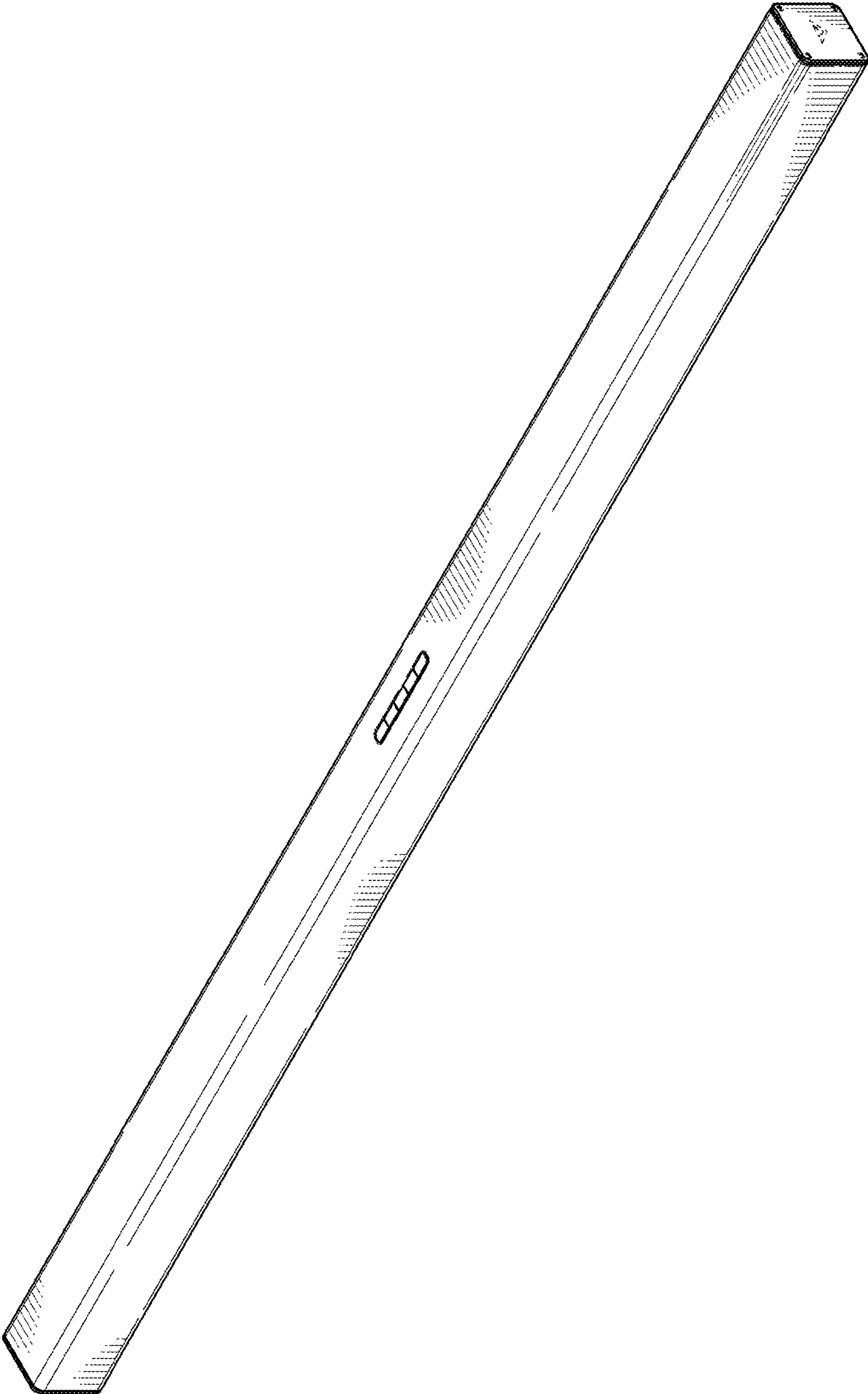


FIG. 1

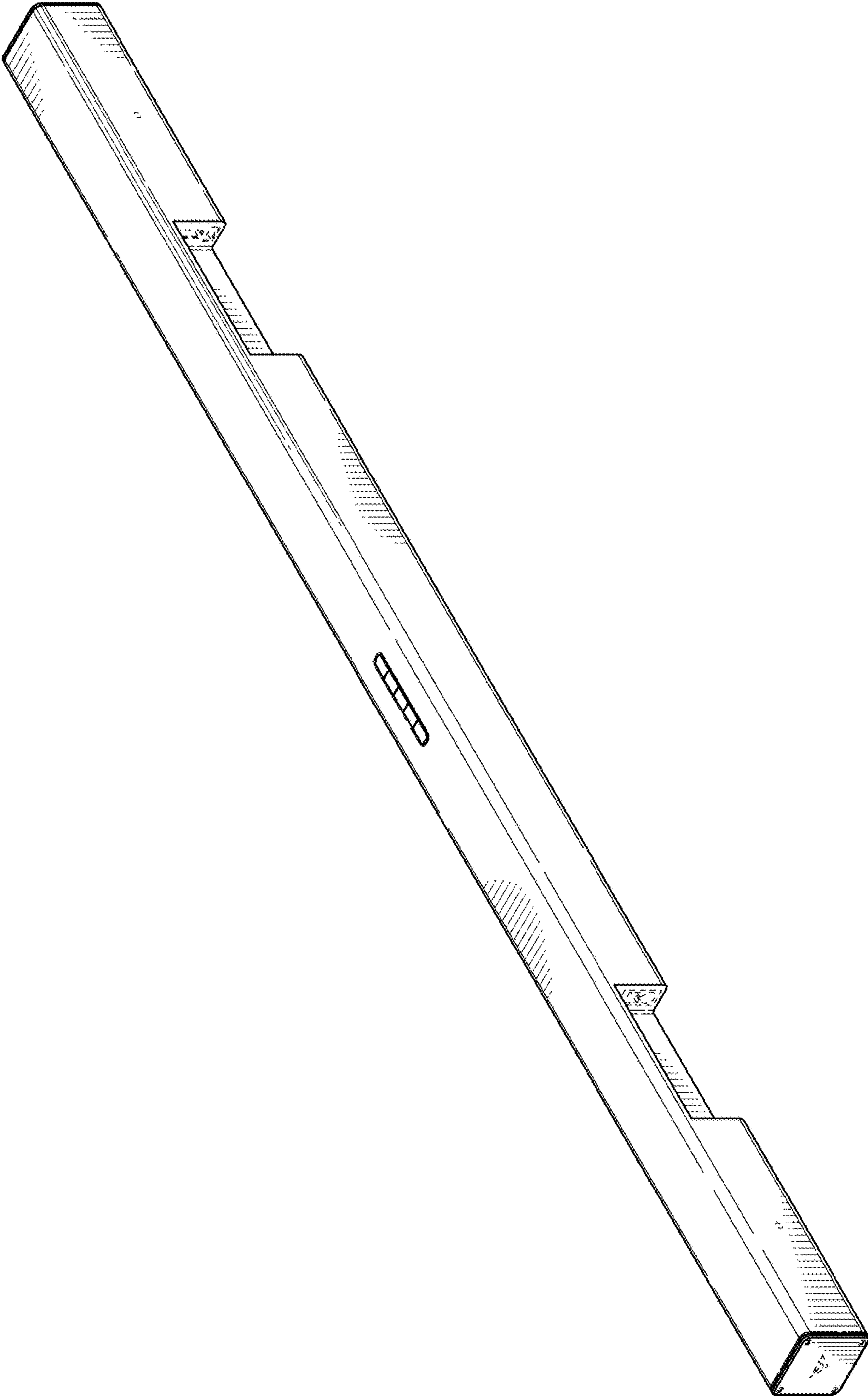


FIG. 2

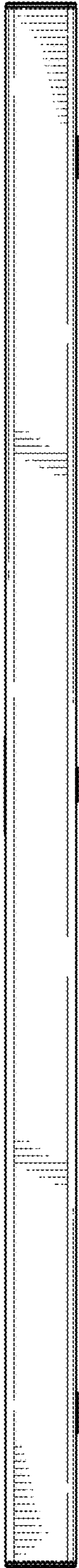


FIG. 3



FIG. 4



FIG. 5

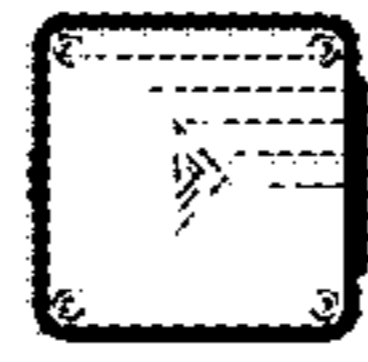


FIG. 6

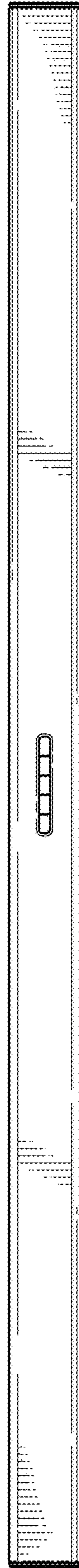


FIG. 7

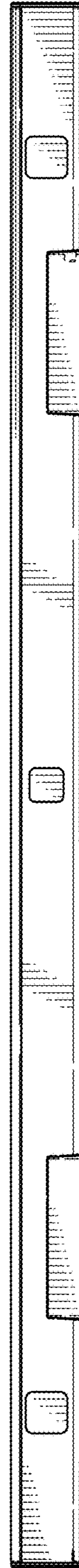


FIG. 8