



US00D818451S

(12) **United States Design Patent** (10) **Patent No.:** **US D818,451 S**
Takahashi et al. (45) **Date of Patent:** **** May 22, 2018**

(54) **PORTABLE WIRELESS COMMUNICATION DEVICE**

D393,638 S * 4/1998 Page D14/137
D411,536 S * 6/1999 Page D14/137
D497,600 S * 10/2004 Richards D14/137

(71) Applicant: **JVC KENWOOD Corporation**,
Yokohama-shi, Kanagawa (JP)

(Continued)

(72) Inventors: **Noriyuki Takahashi**, Kanagawaku
Yokohamasi Kanagawaken (JP); **Shuji Tanifuji**,
Kanagawaku Yokohamasi Kanagawaken (JP); **Toyohito Yamamoto**,
Kanagawaku Yokohamasi Kanagawaken (JP)

FOREIGN PATENT DOCUMENTS

CA 158549 * 6/2015

(73) Assignee: **JVC KENWOOD CORPORATION**,
Yokohama-Shi, Kanagawa (JP)

OTHER PUBLICATIONS

Kenwood Nexedge NX-3200/3320 Brochure, published date not given, [online], [site visited Dec. 13, 2017]. Available from Internet, <URL: <http://www.precisionradio.com/radio/sites/default/files/NX-3220%263320Bro06.02Comp.pdf>>.*

(Continued)

(**) Term: **15 Years**

Primary Examiner — Jeffrey D Asch

(21) Appl. No.: **29/593,551**

(74) *Attorney, Agent, or Firm* — Cantor Colburn LLP

(22) Filed: **Feb. 9, 2017**

(30) **Foreign Application Priority Data**

(57) **CLAIM**

Aug. 9, 2016 (JP) D2016-017050

The ornamental design for a portable wireless communication device, as shown and described.

(51) **LOC (11) Cl.** **14-03**

(52) **U.S. Cl.**
USPC **D14/137**

DESCRIPTION

(58) **Field of Classification Search**
USPC D14/137, 138 R, 138 AA, 147, 148, 218,
D14/155, 159, 142, 225, 226, 191, 188,
D14/192, 194, 197, 198; D21/517;
D10/104.1, 104.2, 106.1, 65; D13/168
CPC H04B 1/3833; H04B 1/3827; H04B
2001/3861; H04M 1/0202; H04M 1/03;
H04M 1/035; H04W 76/005; G08B
21/0202

FIG. 1 is a front perspective view of a portable wireless communication device.
FIG. 2 is a front view of FIG. 1;
FIG. 3 is a rear view of FIG. 1;
FIG. 4 is a top view of FIG. 1;
FIG. 5 is a bottom view of FIG. 1;
FIG. 6 is a right side view of FIG. 1;
FIG. 7 is a left side view of FIG. 1;
FIG. 8 is an enlarged top view of FIG. 1; and,
FIG. 9 is an enlarged bottom view of FIG. 1.
The broken lines in the drawings are for the purpose of illustrating portions of the portable wireless communication device that form no part of the claimed design.

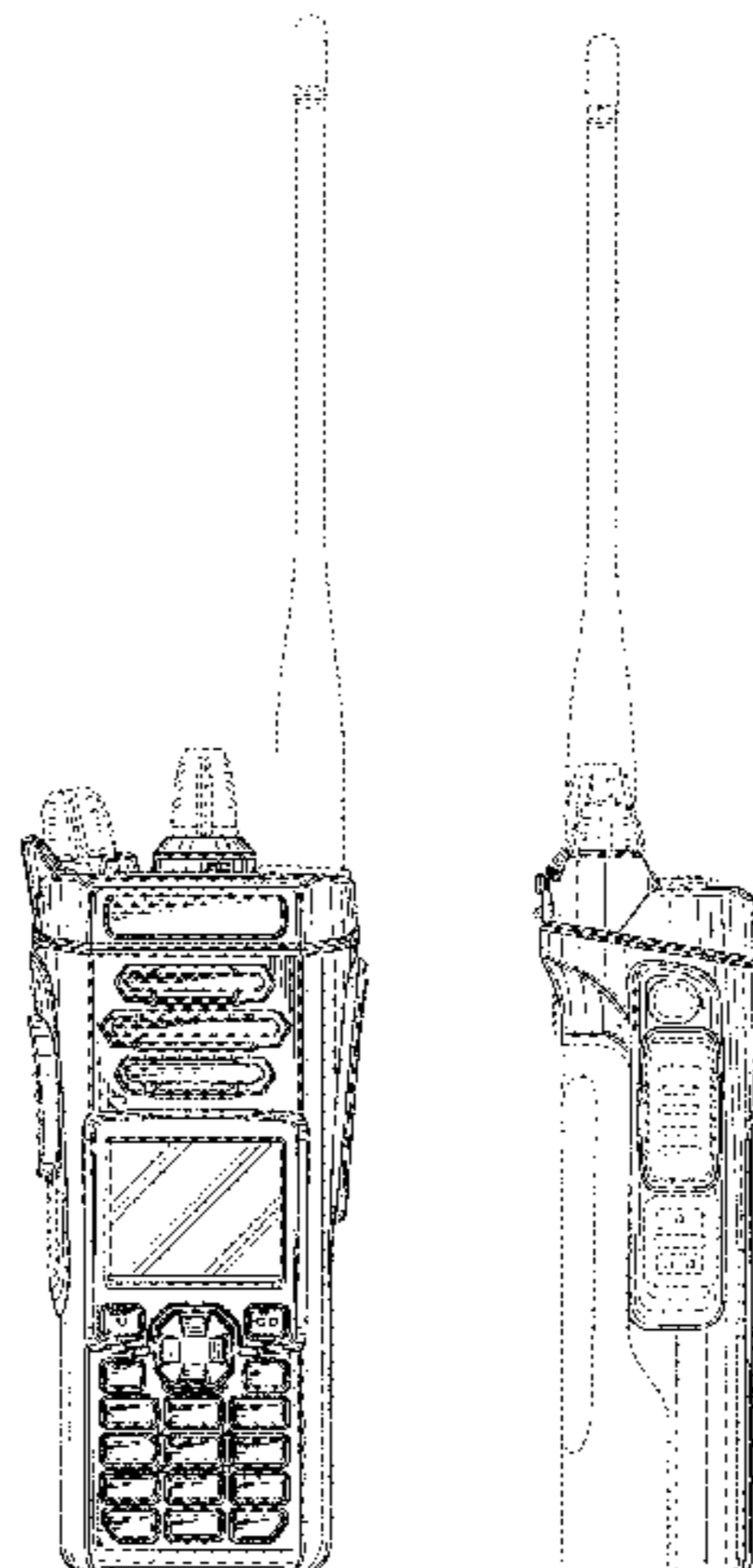
See application file for complete search history.

(56) **References Cited**

U.S. PATENT DOCUMENTS

D282,661 S * 2/1986 Imazeki D14/137
D384,060 S * 9/1997 Kelley D14/138 AA

1 Claim, 9 Drawing Sheets



(56)

References Cited

U.S. PATENT DOCUMENTS

D526,993 S * 8/2006 Richards D14/188
D564,999 S * 3/2008 Richards D14/137
D598,876 S * 8/2009 Leng D14/137
D605,616 S * 12/2009 Scott D14/137
D608,747 S * 1/2010 Nakagawa D14/137
D652,400 S * 1/2012 Oikawa D14/137
D654,035 S * 2/2012 Ismail D14/137
D662,482 S * 6/2012 Kaner D14/137
D662,483 S * 6/2012 Kaner D14/137
D752,536 S * 3/2016 Ooi D14/137
D754,089 S * 4/2016 Yong D14/137
D761,223 S * 7/2016 Oikawa D14/137
D805,494 S * 12/2017 Richards D14/137
2005/0020294 A1 * 1/2005 Kantola H04W 76/023
455/518
2006/0135088 A1 * 6/2006 Chen G01S 19/14
455/90.3
2009/0128427 A1 * 5/2009 Nawa H01Q 1/22
343/702
2010/0238196 A1 * 9/2010 Hinterberger H04B 1/3833
345/649
2011/0028105 A1 * 2/2011 Astanovsky H04B 1/3877
455/90.3
2011/0045795 A1 * 2/2011 Sacknoff G08B 21/0415
455/404.1
2015/0381333 A1 * 12/2015 Tennant H04L 5/1461
370/278

OTHER PUBLICATIONS

Kenwood FPP on NX-5000 Series Radios, published Sep. 15, 2015
by Evans Mitchell on YouTube, [online], [site visited Dec. 13, 2017
<URL: <https://www.youtube.com/watch?v=G4DNEE6Uv68>.*

* cited by examiner

FIG. 1

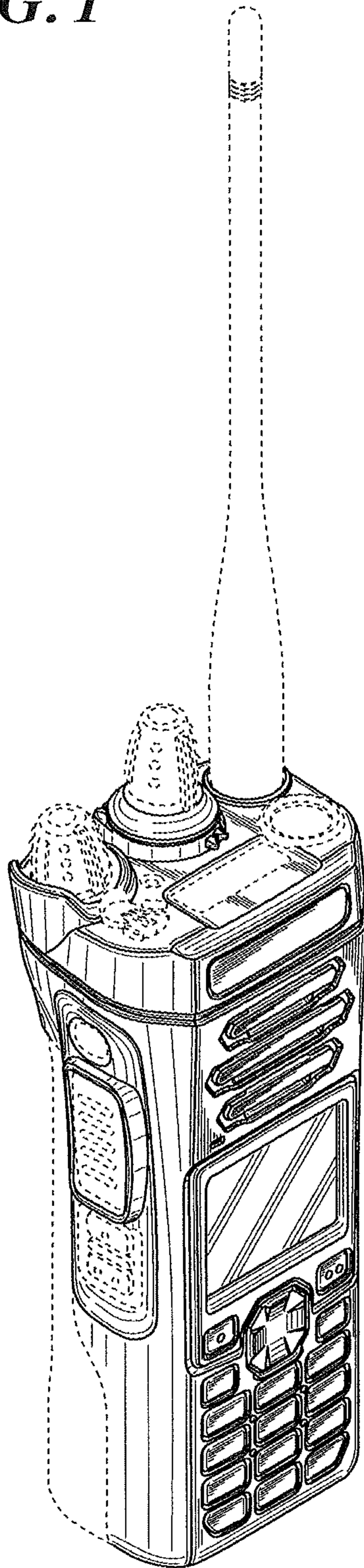


FIG. 2

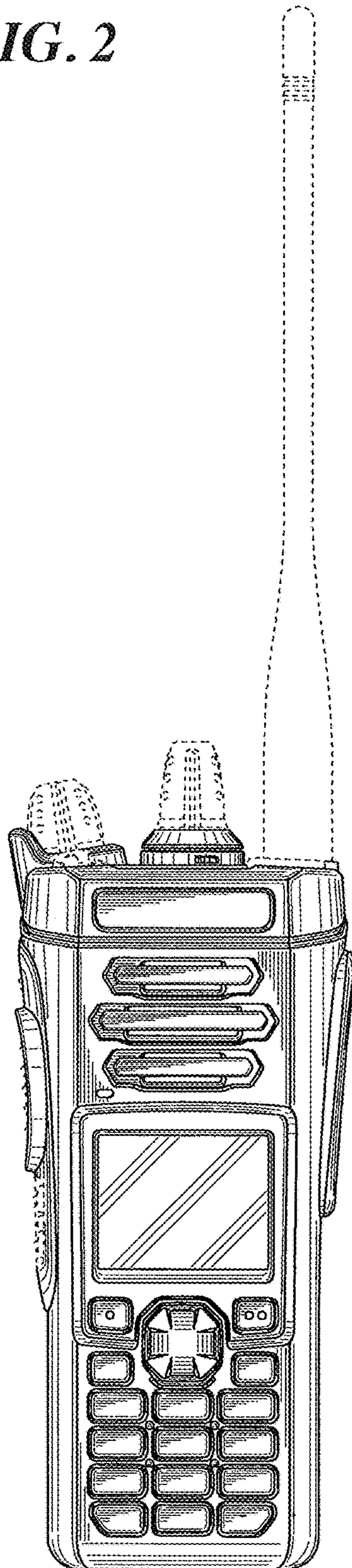


FIG. 3

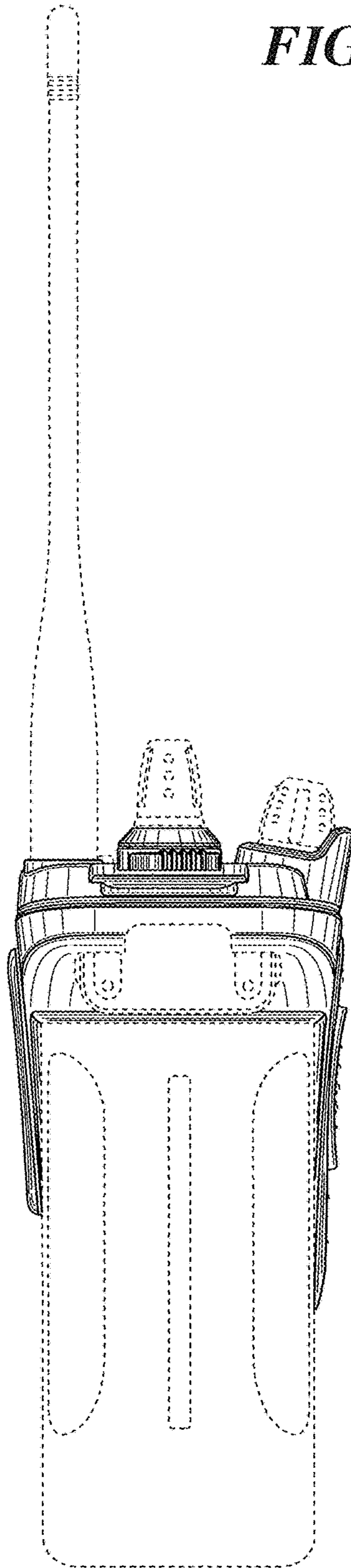


FIG. 4

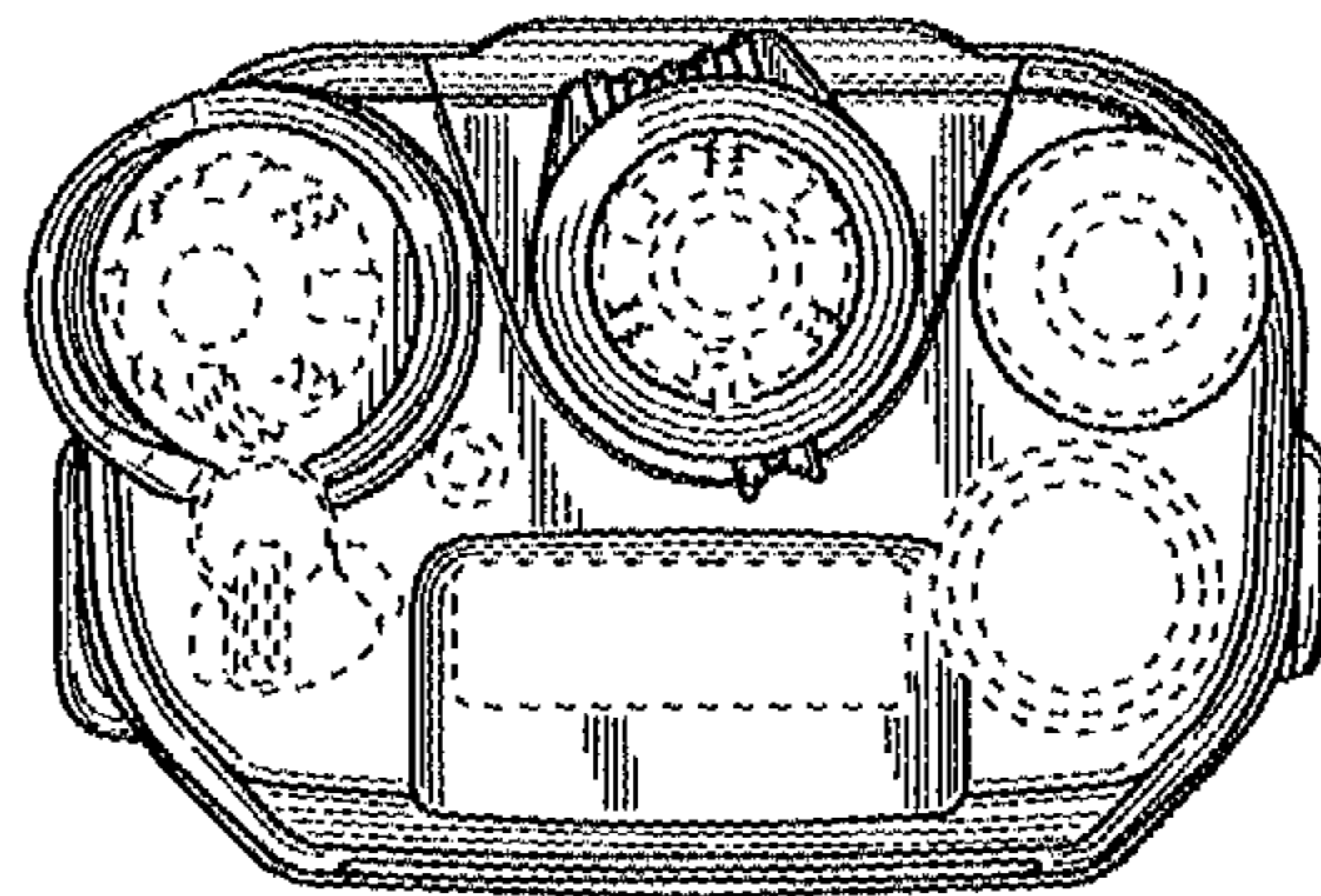


FIG. 5

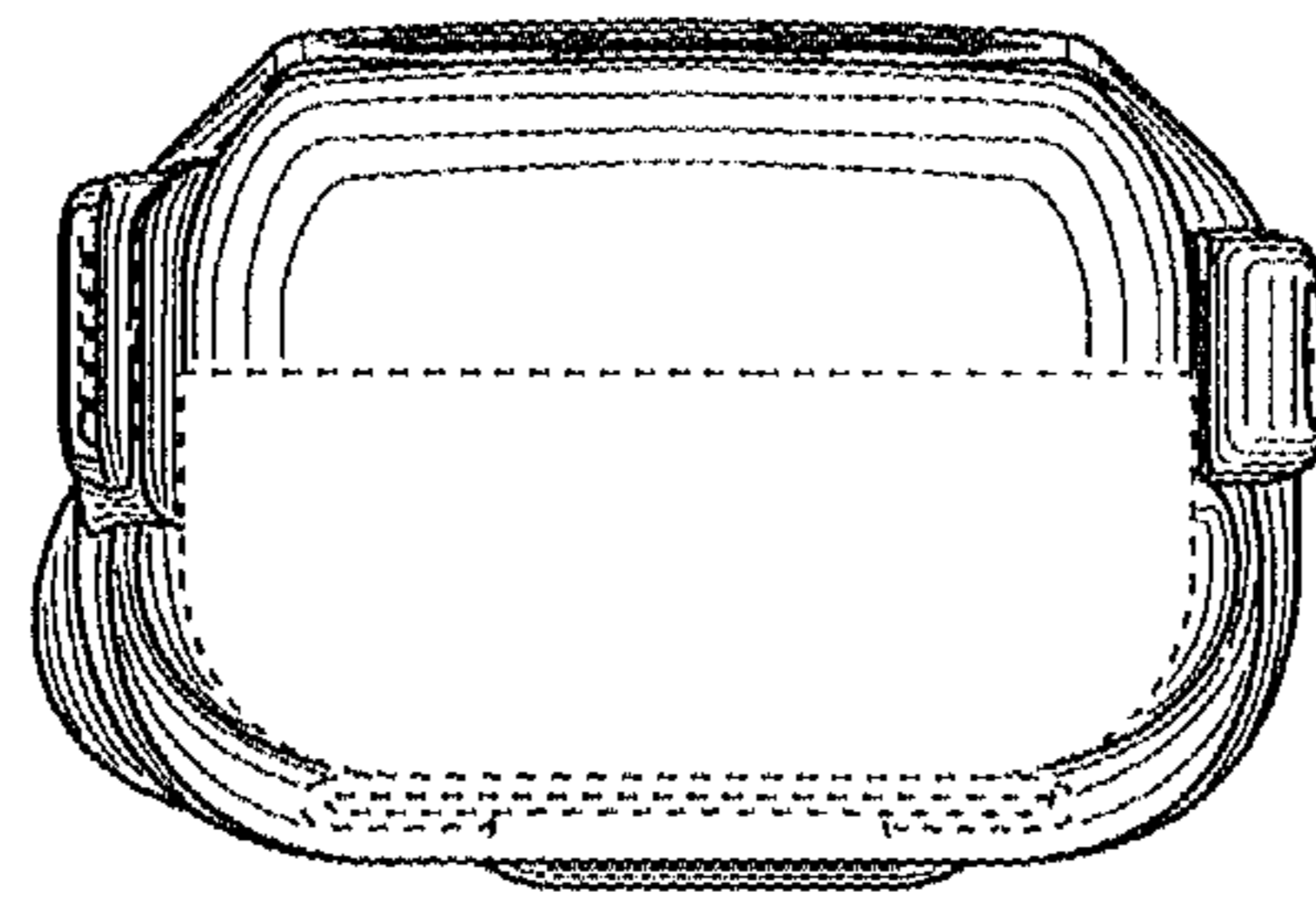


FIG. 6

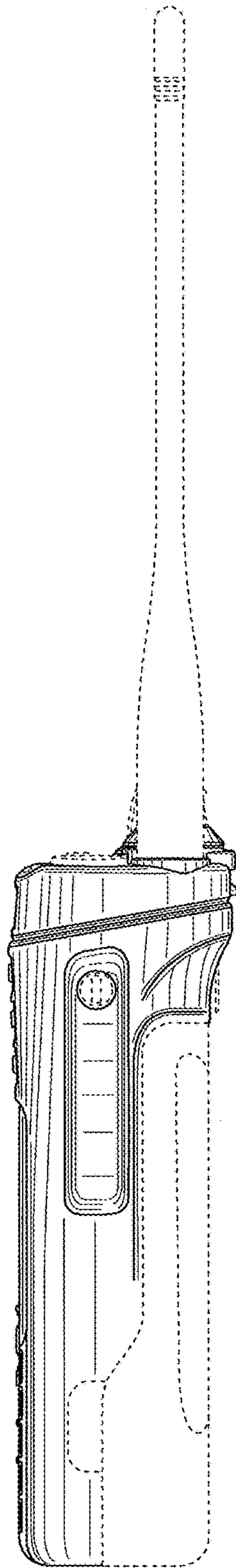


FIG. 7

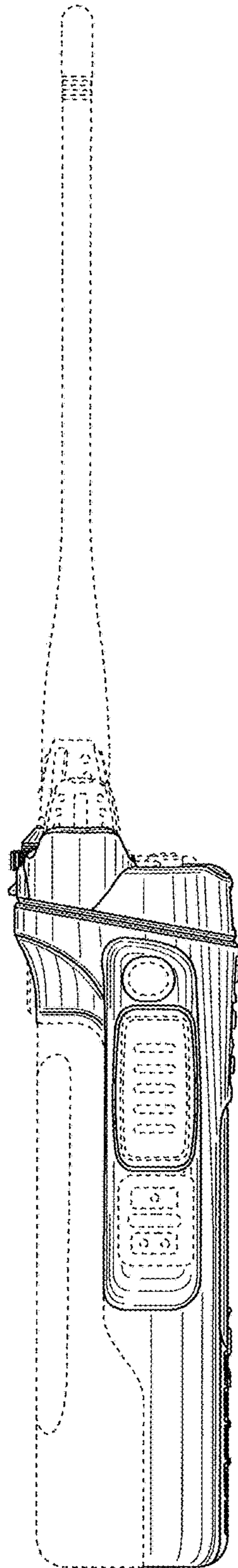


FIG. 8

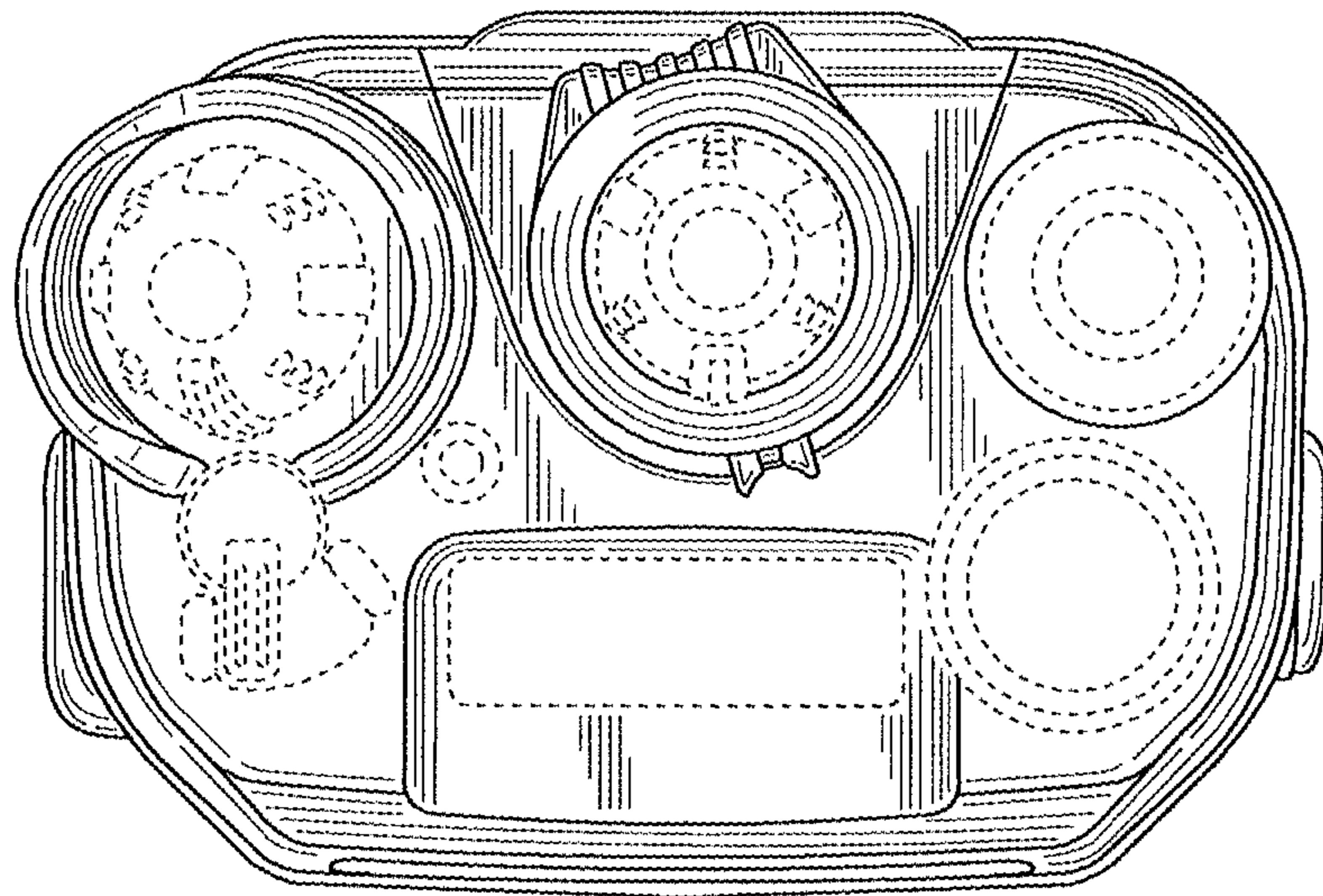


FIG. 9

