



US00D818443S

(12) **United States Design Patent**
Belver Garcia et al.

(10) **Patent No.:** **US D818,443 S**

(45) **Date of Patent:** **** May 22, 2018**

(54) **FUSE HOLDER**

- (71) Applicant: **DF, S.A.**, Cornella de Llobregat (ES)
- (72) Inventors: **Jose Belver Garcia**, Cornella de Llobregat (ES); **Jose Manuel Durante Ballesteros**, Cornella de Llobregat (ES)
- (73) Assignee: **DF, S.A.**, Cornella de Llobregat (ES)
- (**) Term: **15 Years**
- (21) Appl. No.: **29/577,781**
- (22) Filed: **Sep. 15, 2016**

(30) **Foreign Application Priority Data**

Mar. 16, 2016 (EM) 003030378-0001

(51) **LOC (11) Cl.** **13-03**

(52) **U.S. Cl.**
USPC **D13/160; D13/161**

(58) **Field of Classification Search**
USPC D13/110, 112, 118–123, 133, 134,
D13/145–147, 149, 154, 156, 158–161,
D13/173, 178, 183, 184, 199

CPC .. H01H 9/00; H01H 9/02; H01H 9/14; H01H
9/30; H01H 45/00; H01H 47/00; H01H
51/00; H01H 50/02; H01H 51/12; H01H
51/28; H01H 51/29; H01H 85/00; H01H
85/14; H01H 85/16; H01H 85/20; H01H
85/22; H01R 13/40; H01R 13/62; H01R
13/66; H01R 13/68; H05K 5/00; H05K
5/02; H05K 7/00

See application file for complete search history.

(56) **References Cited**

U.S. PATENT DOCUMENTS

D494,142 S * 8/2004 Schon D13/162
D550,630 S * 9/2007 Wang D13/160

(Continued)

OTHER PUBLICATIONS

PMC Compact modular fuse holders, dated Aug. 18, 2014, [online], [site visited Dec. 21, 2017]. Available from Internet, <URL: http://www.df-sa.es/products/cylindrical/pmc-fuse-holders>.*

(Continued)

Primary Examiner — Cathron C Brooks
Assistant Examiner — Shawn T Gingrich

(74) *Attorney, Agent, or Firm* — Edell, Shapiro & Finnan LLC

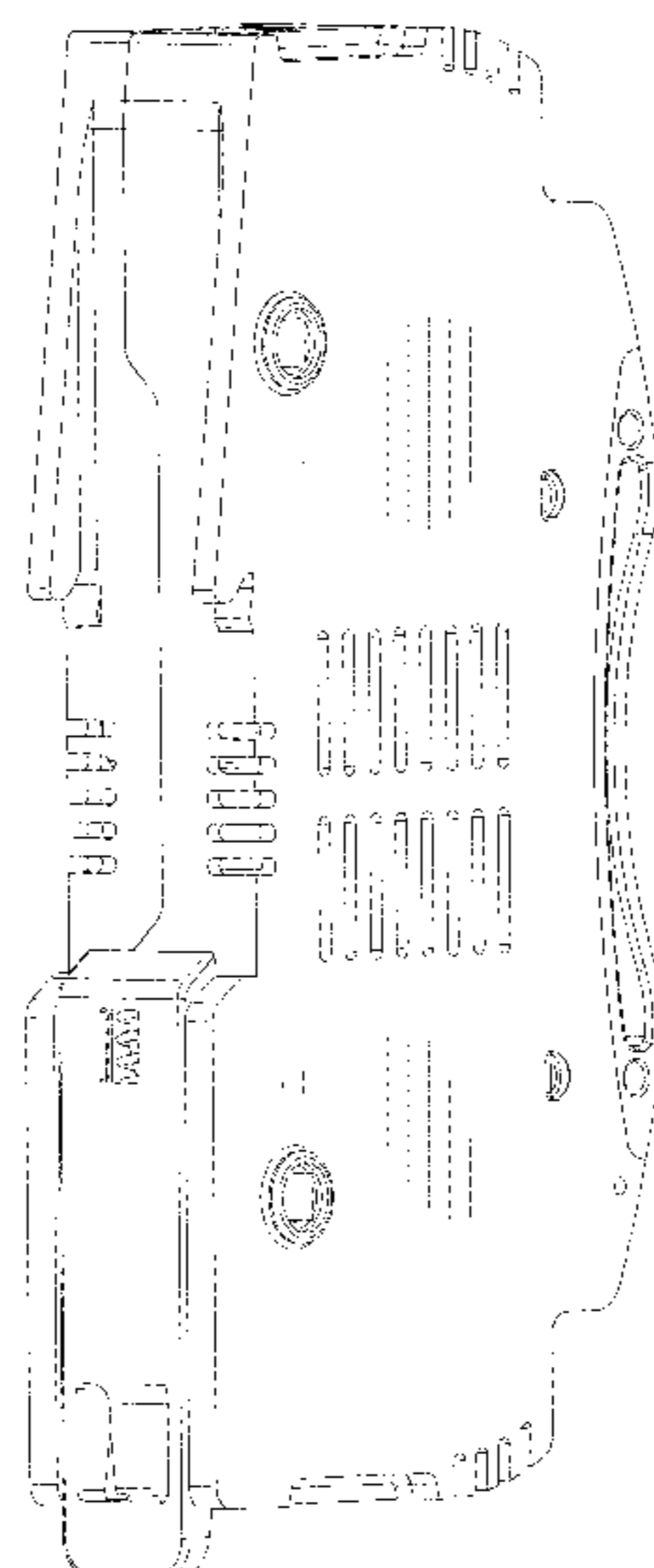
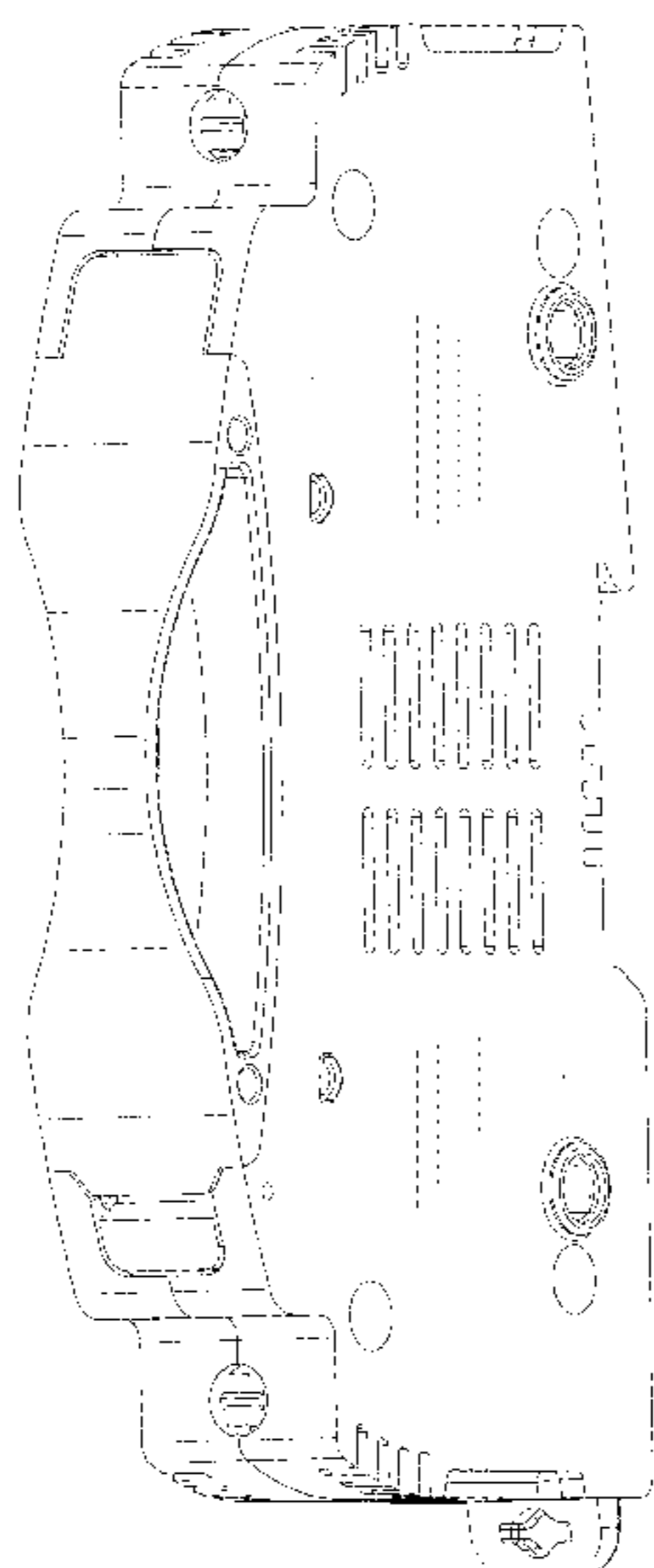
(57) **CLAIM**

The ornamental design for a fuse holder, as shown and described.

DESCRIPTION

FIG. 1 is a front, right perspective view of a fuse holder showing the new design;
 FIG. 2 is a rear, left perspective view of the fuse holder of FIG. 1;
 FIG. 3 is a front elevation view of the fuse holder of FIG. 1;
 FIG. 4 is a rear elevation view of the fuse holder of FIG. 1;
 FIG. 5 is a left side elevation view of the fuse holder of FIG. 1;
 FIG. 6 is a right side elevation view of the fuse holder of FIG. 1;
 FIG. 7 is a top plan view of the fuse holder of FIG. 1;
 FIG. 8 is a bottom plan view of the fuse holder of FIG. 1;
 FIG. 9 is a front, right perspective view from above of the fuse holder of FIG. 1;
 FIG. 10 is a rear, left perspective view from above of the fuse holder of FIG. 1;
 FIG. 11 is a front, right perspective view from below of the fuse holder of FIG. 1; and,
 FIG. 12 is a rear, left perspective view from below of the fuse holder of FIG. 1.

1 Claim, 10 Drawing Sheets



(56)

References Cited

U.S. PATENT DOCUMENTS

D567,191 S * 4/2008 Eichinger D13/158
7,738,231 B2 * 6/2010 Lagnoux H01C 7/126
361/115
D658,135 S * 4/2012 Weber D13/160
D706,725 S * 6/2014 Majewski D13/160
D718,255 S * 11/2014 Garcia D13/161
2013/0062317 A1 * 3/2013 Muders H01H 9/342
218/148
2013/0109236 A1 * 5/2013 von zur Muehlen
H01H 85/202
439/620.26
2015/0357726 A1 * 12/2015 Hoppmann H01R 4/4818
439/816
2016/0055987 A1 * 2/2016 Brakefield H01H 85/22
337/186
2017/0162357 A1 * 6/2017 Brakefield H01H 85/22
2017/0365437 A1 * 12/2017 Brakefield H01H 85/22

OTHER PUBLICATIONS

RT18-32X AC 380V 32A 1 Pole 10x38mm DIN Rail Mount Fuse
Holder Base, dated Jul. 8, 2016, [online], [site visited Dec. 21,
2017]. Available from Internet, <URL: [https://www.walmart.com/
ip/RT18-32X-AC-380V-32A-1-Pole-10x38mm-DIN-Rail-Mount-
Fuse-Holder-Base/45515035](https://www.walmart.com/ip/RT18-32X-AC-380V-32A-1-Pole-10x38mm-DIN-Rail-Mount-Fuse-Holder-Base/45515035)>.*

* cited by examiner

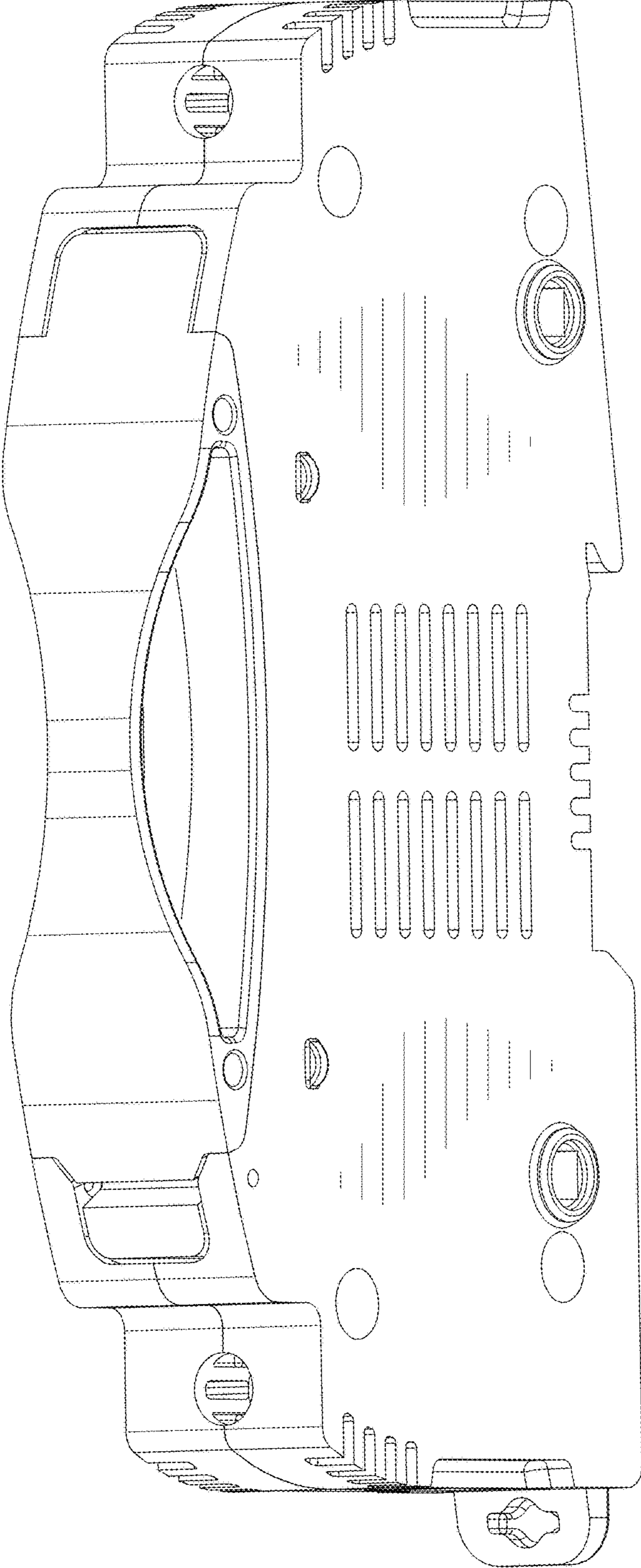


FIG.1

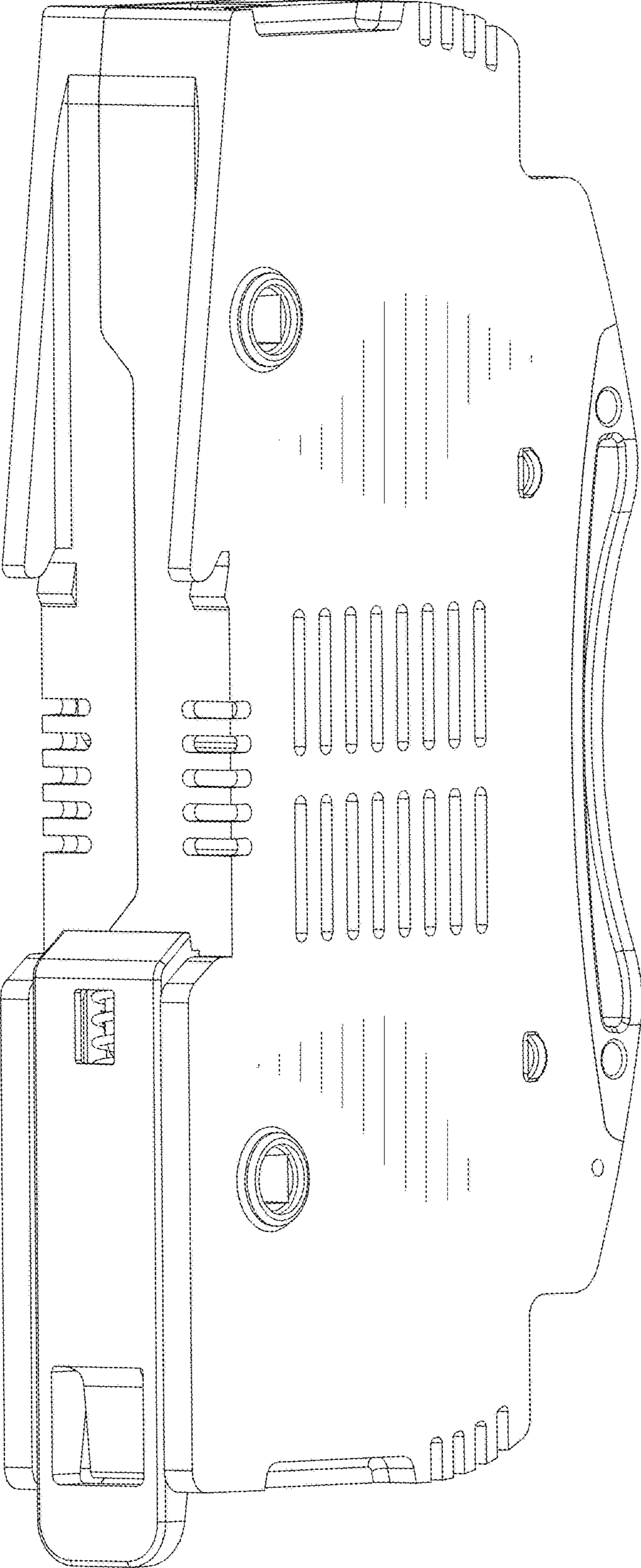


FIG.2

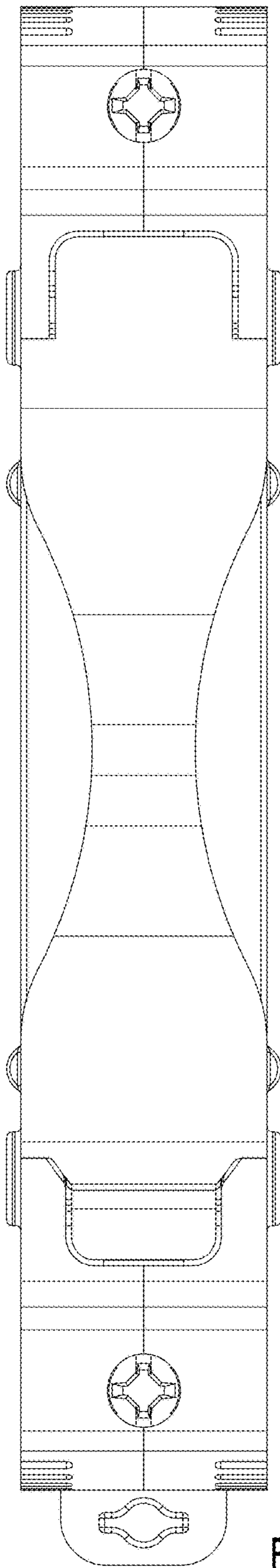


FIG.3

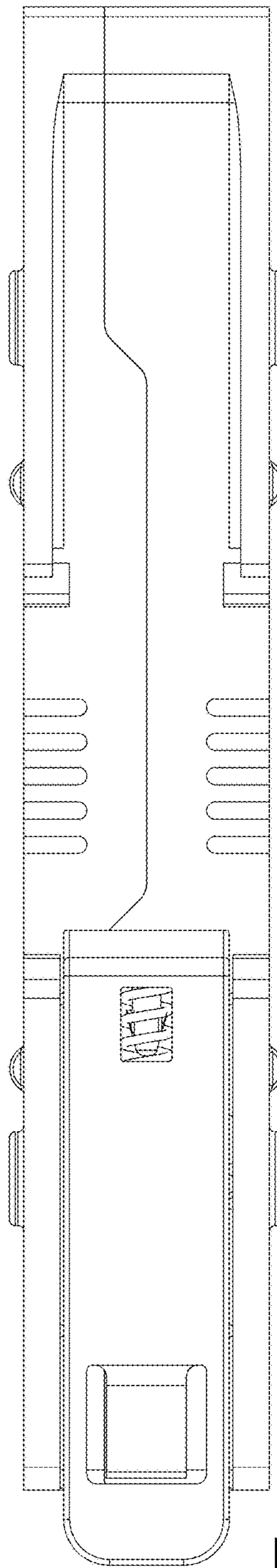


FIG.4

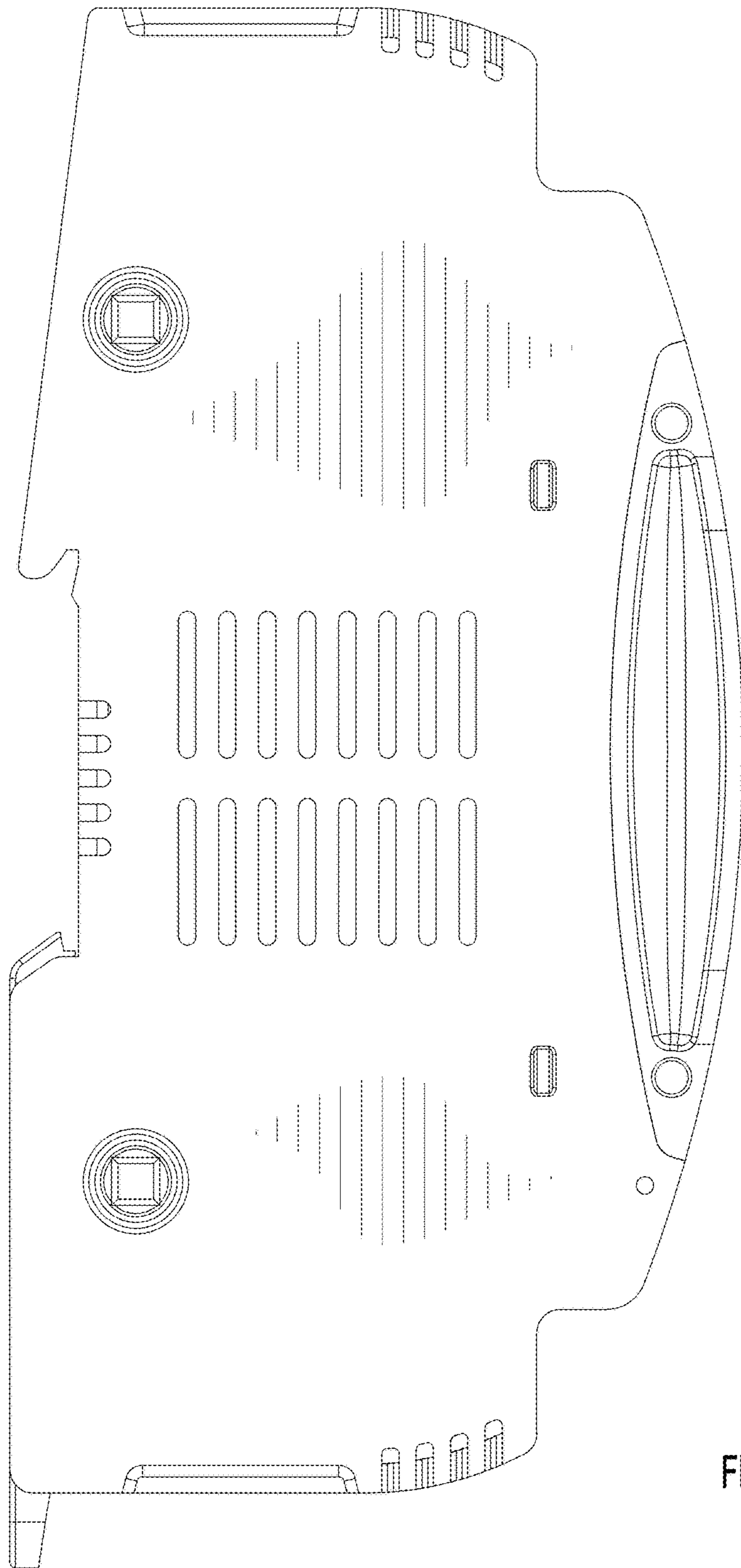


FIG.5

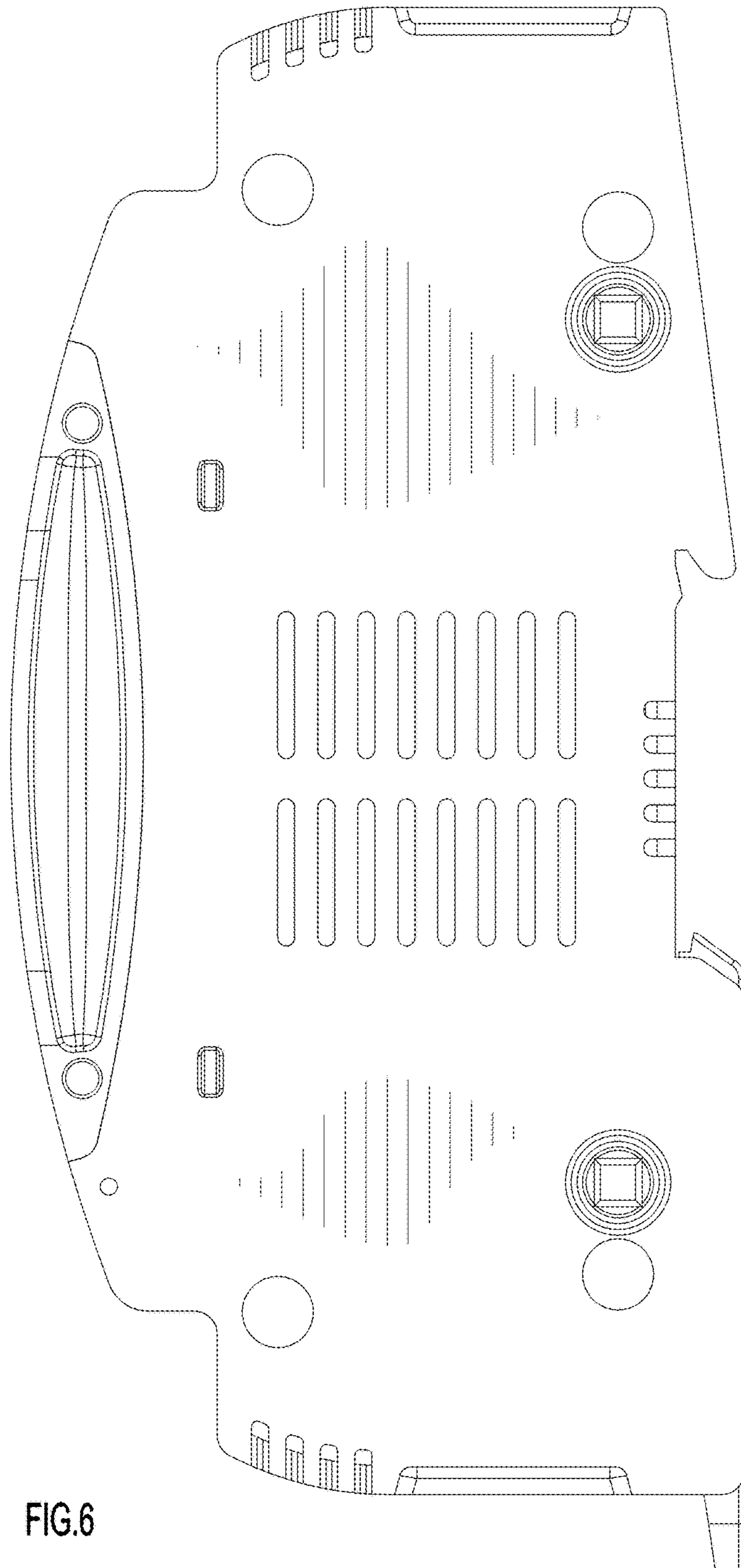


FIG.6

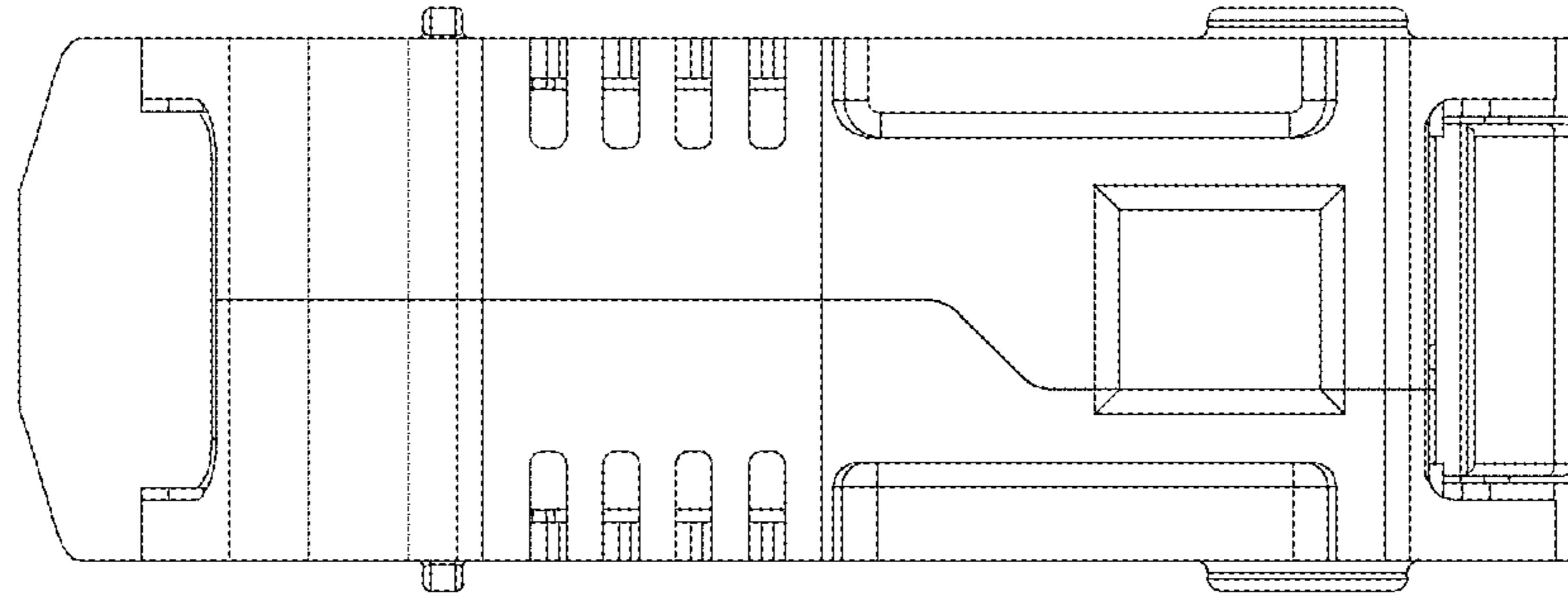


FIG. 7

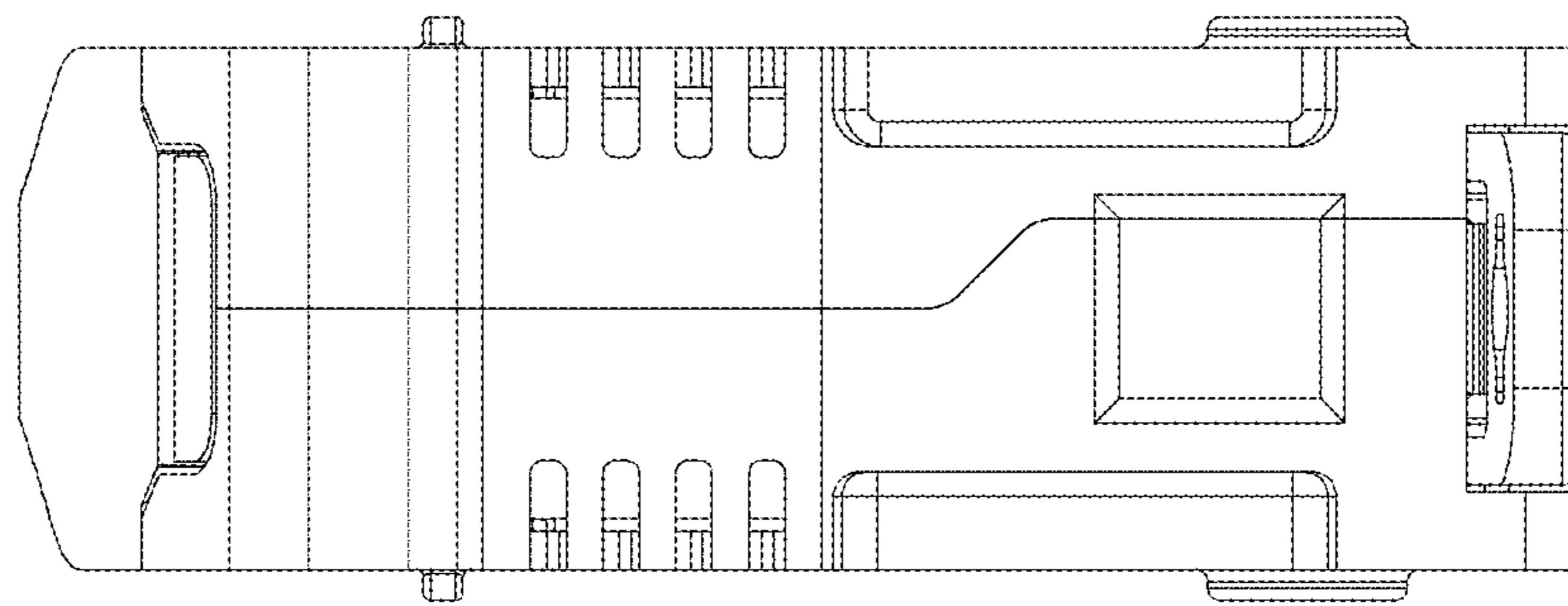


FIG. 8

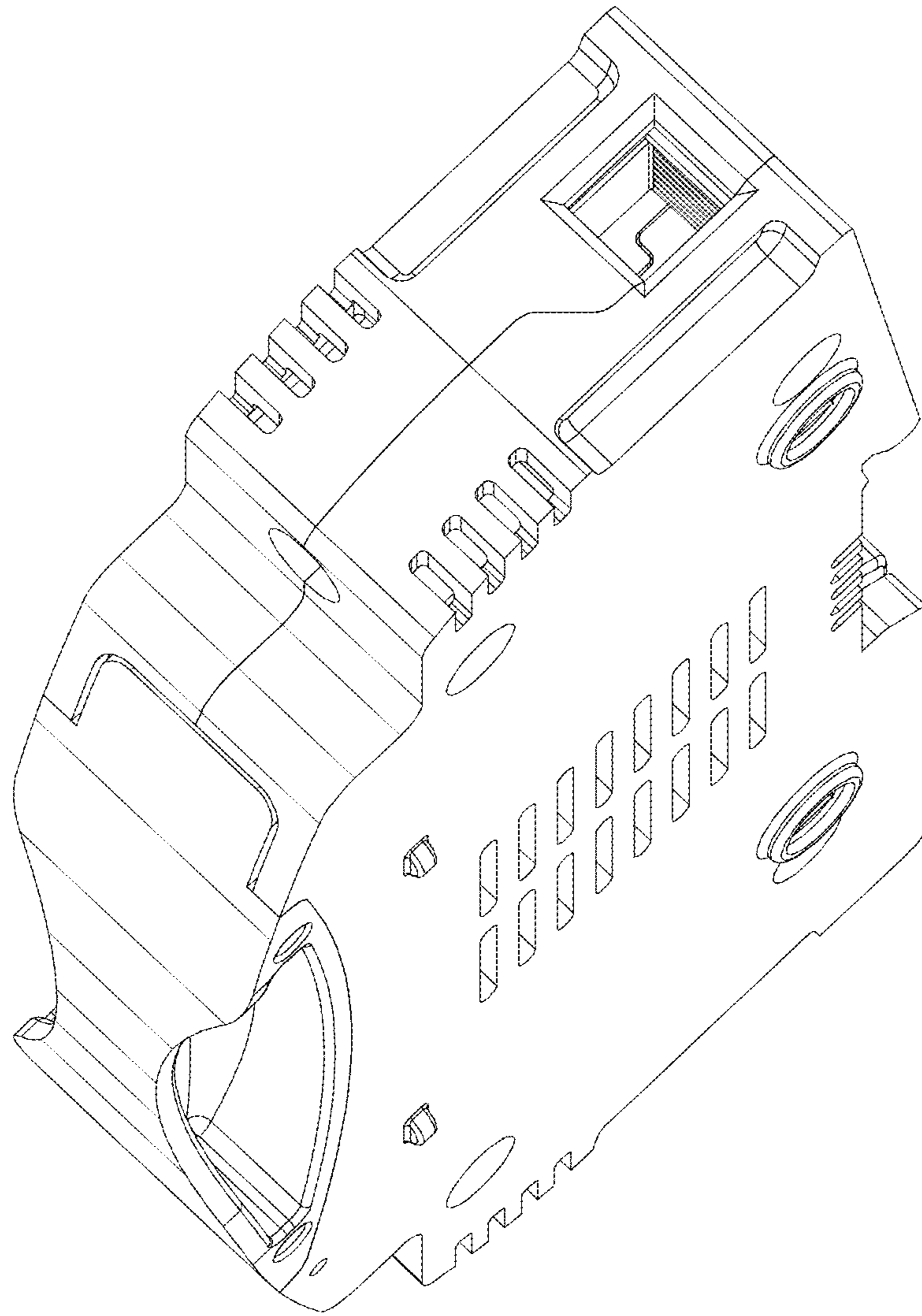


FIG.9

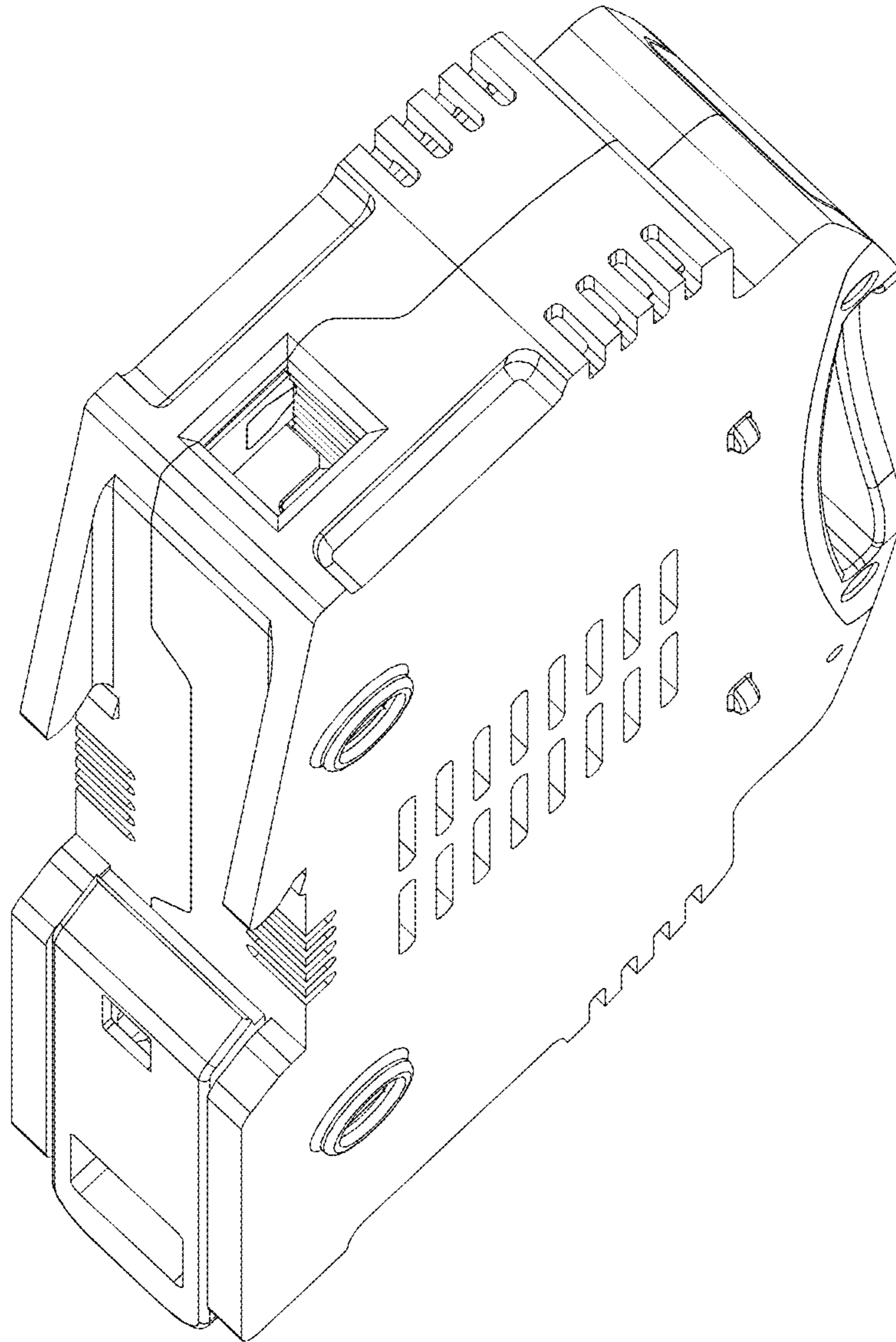


FIG.10

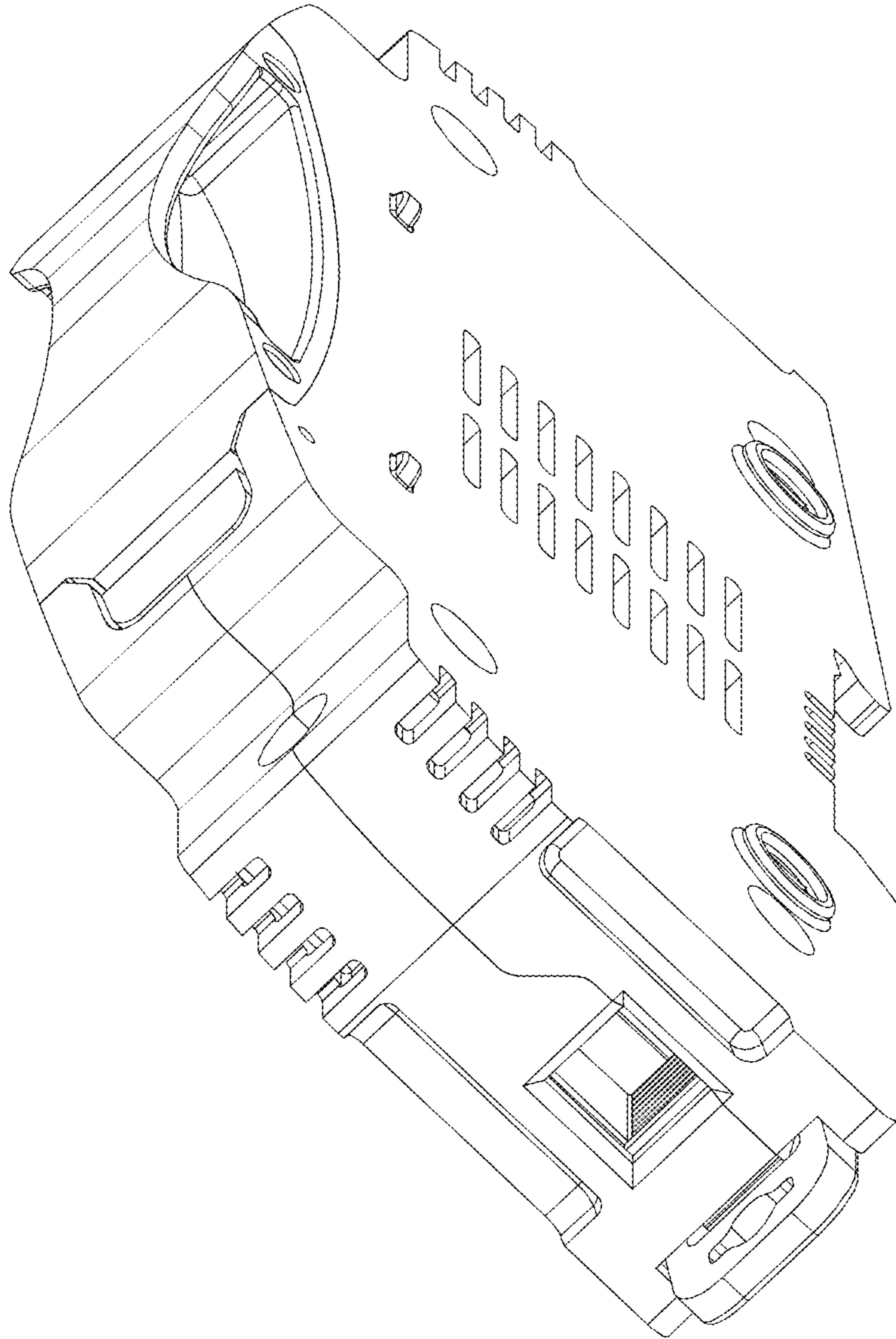


FIG.11

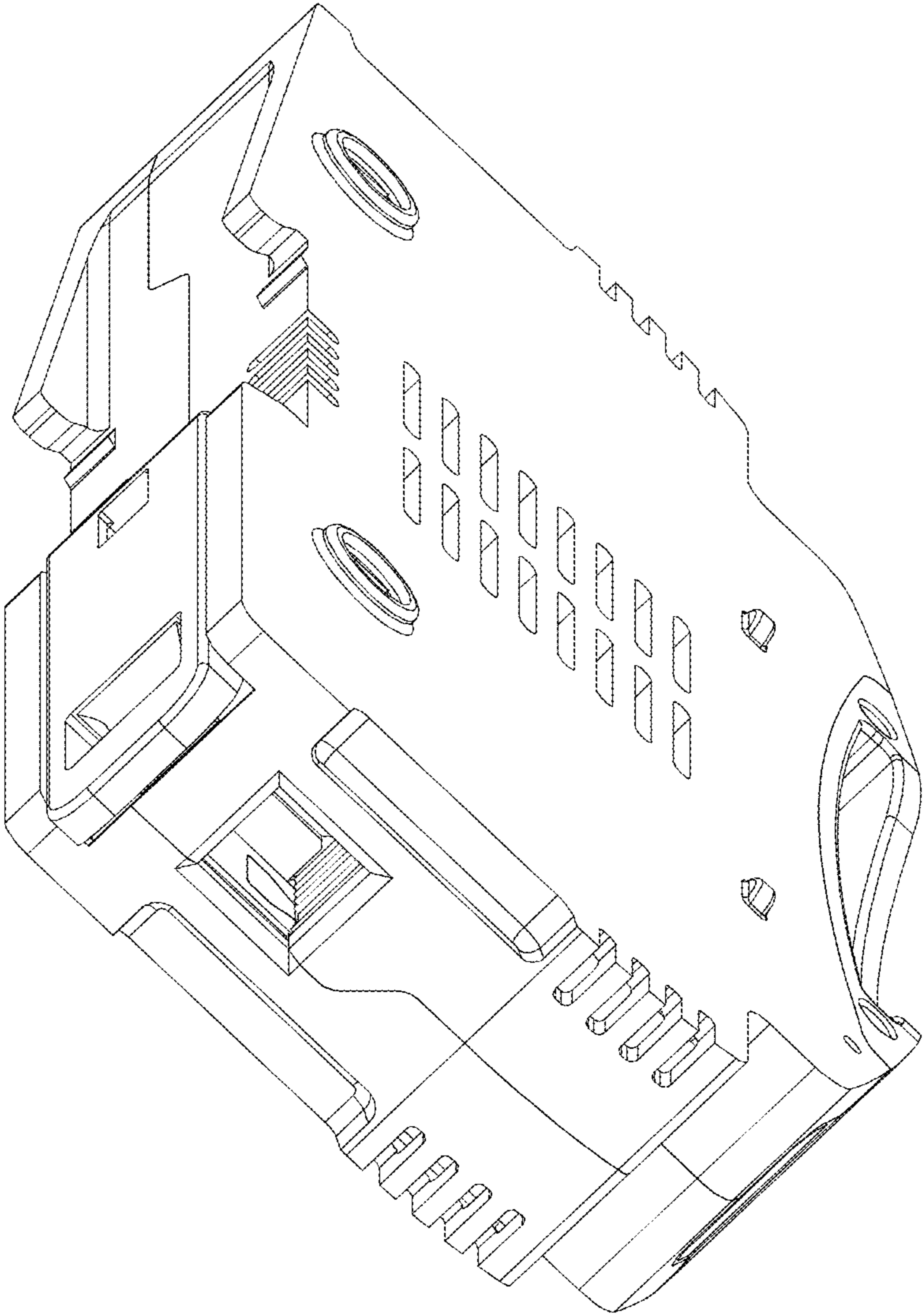


FIG.12