



US00D818441S

(12) **United States Design Patent** (10) **Patent No.:** **US D818,441 S**  
**Bergum et al.** (45) **Date of Patent:** **\*\* May 22, 2018**

- (54) **FLOAT SWITCH HOUSING**
- (71) Applicant: **S.J. Electro Systems, Inc.**, Detroit Lakes, MN (US)
- (72) Inventors: **Alan J. Bergum**, Detroit Lakes, MN (US); **Jonathan F. Newell**, Sun Prairie, WI (US)
- (73) Assignee: **S.J. Electro Systems, Inc.**, Detroit Lakes, MN (US)
- (\*\*) Term: **15 Years**
- (21) Appl. No.: **29/584,361**
- (22) Filed: **Nov. 14, 2016**
- (51) **LOC (11) Cl.** ..... **13-03**
- (52) **U.S. Cl.**  
USPC ..... **D13/158**
- (58) **Field of Classification Search**  
USPC .... D13/107, 110, 112, 118, 123, 133, 137.1, D13/138.1, 145-147, 149, 151, 154, 156, D13/158, 173, 184, 199; D23/233, 236  
CPC ..... G01F 23/30; G01F 23/56; H01H 9/00; H01H 35/00; H01H 35/18; H01H 36/00; H01H 36/0073; H01H 36/02; H01R 13/52  
See application file for complete search history.

- D366,646 S \* 1/1996 Carr ..... D13/146
- D533,502 S \* 12/2006 Wakefield ..... D13/133
- D579,410 S \* 10/2008 Hanada ..... D13/110
- D641,070 S \* 7/2011 Fukano ..... D23/233
- D782,420 S \* 3/2017 Lee ..... D13/138.1
- D787,446 S \* 5/2017 Cockerill ..... D13/146
- D792,347 S \* 7/2017 Callahan ..... D13/139.7
- 2017/0093074 A1\* 3/2017 Nagasawa ..... H01R 13/405

\* cited by examiner

*Primary Examiner* — Cathron C Brooks  
*Assistant Examiner* — Shawn T Gingrich  
(74) *Attorney, Agent, or Firm* — Dicke, Billig & Czaja, PLLC

(57) **CLAIM**

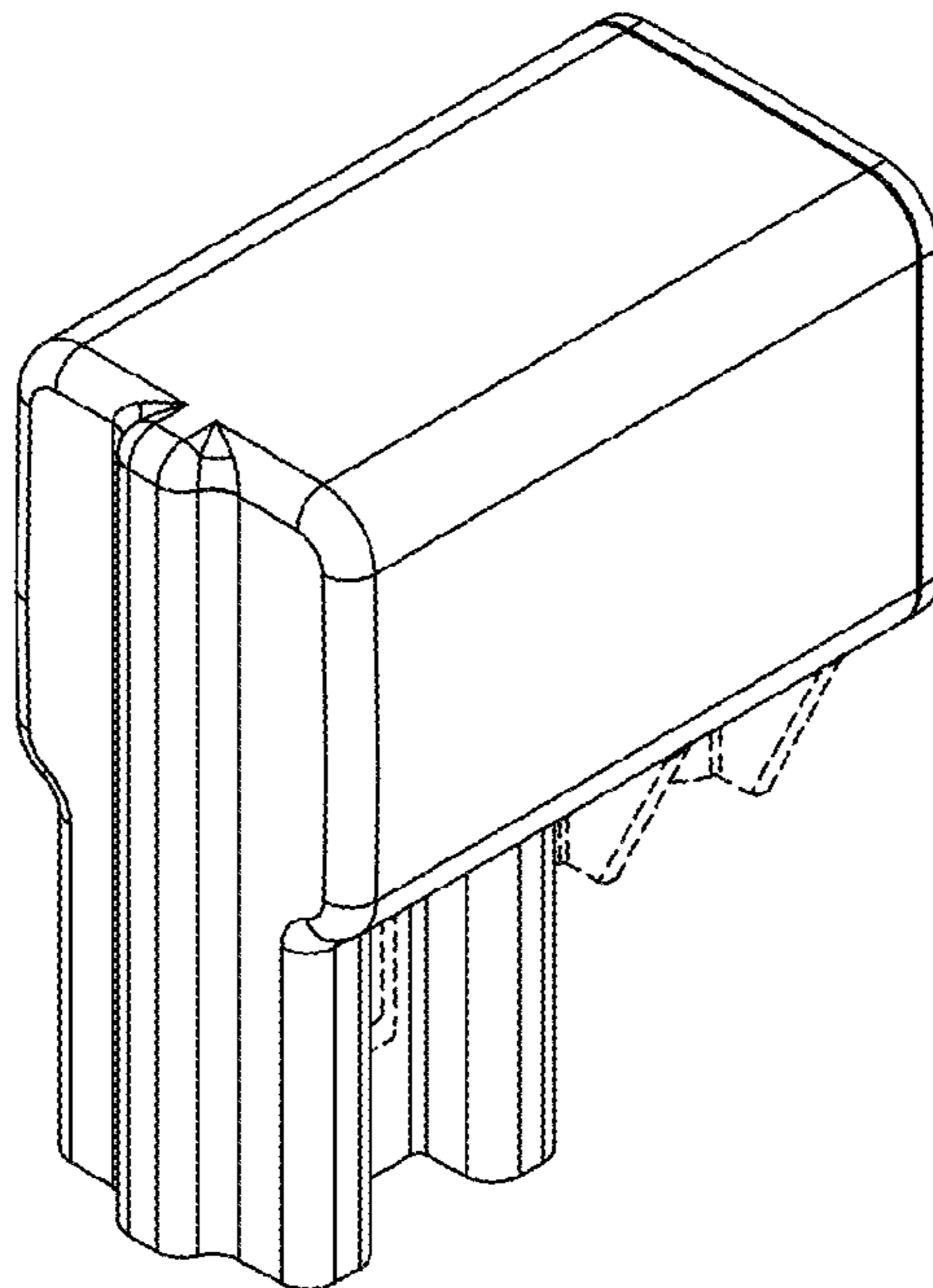
The ornamental design for a float switch housing, as shown and described.

**DESCRIPTION**

FIG. 1 is a front perspective view of a float switch housing showing an embodiment of the new design; FIG. 2 is a front view of the embodiment shown in FIG. 1; FIG. 3 is a rear view of the embodiment shown in FIG. 1; FIG. 4 is a first side view of the embodiment shown in FIG. 1; FIG. 5 is a second side view of the embodiment shown in FIG. 1; FIG. 6 is a top view of the embodiment shown in FIG. 1; and, FIG. 7 is a bottom view of the embodiment shown in FIG. 1.  
The broken lines in the drawings illustrate environmental structure of the float switch housing that form no part of the claimed design.

**1 Claim, 7 Drawing Sheets**

- (56) **References Cited**  
U.S. PATENT DOCUMENTS  
D135,528 S \* 4/1943 Meyer ..... D13/158  
D140,570 S \* 3/1945 Leupold ..... D13/158  
D192,060 S \* 1/1962 Thomas ..... D15/7  
D223,450 S \* 4/1972 Schoepe ..... D23/236  
D237,312 S \* 10/1975 Lombard ..... D15/7



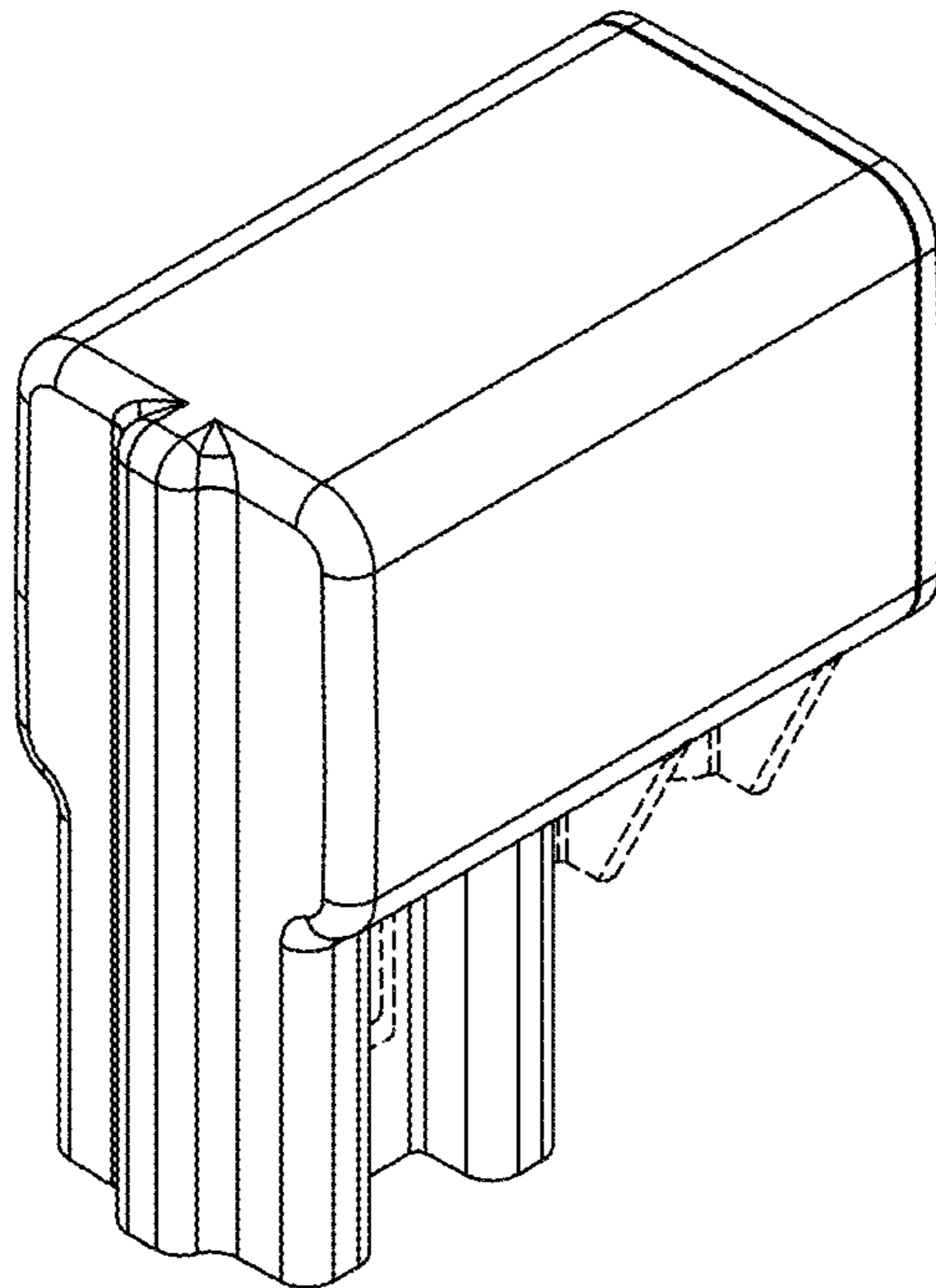


FIG. 1

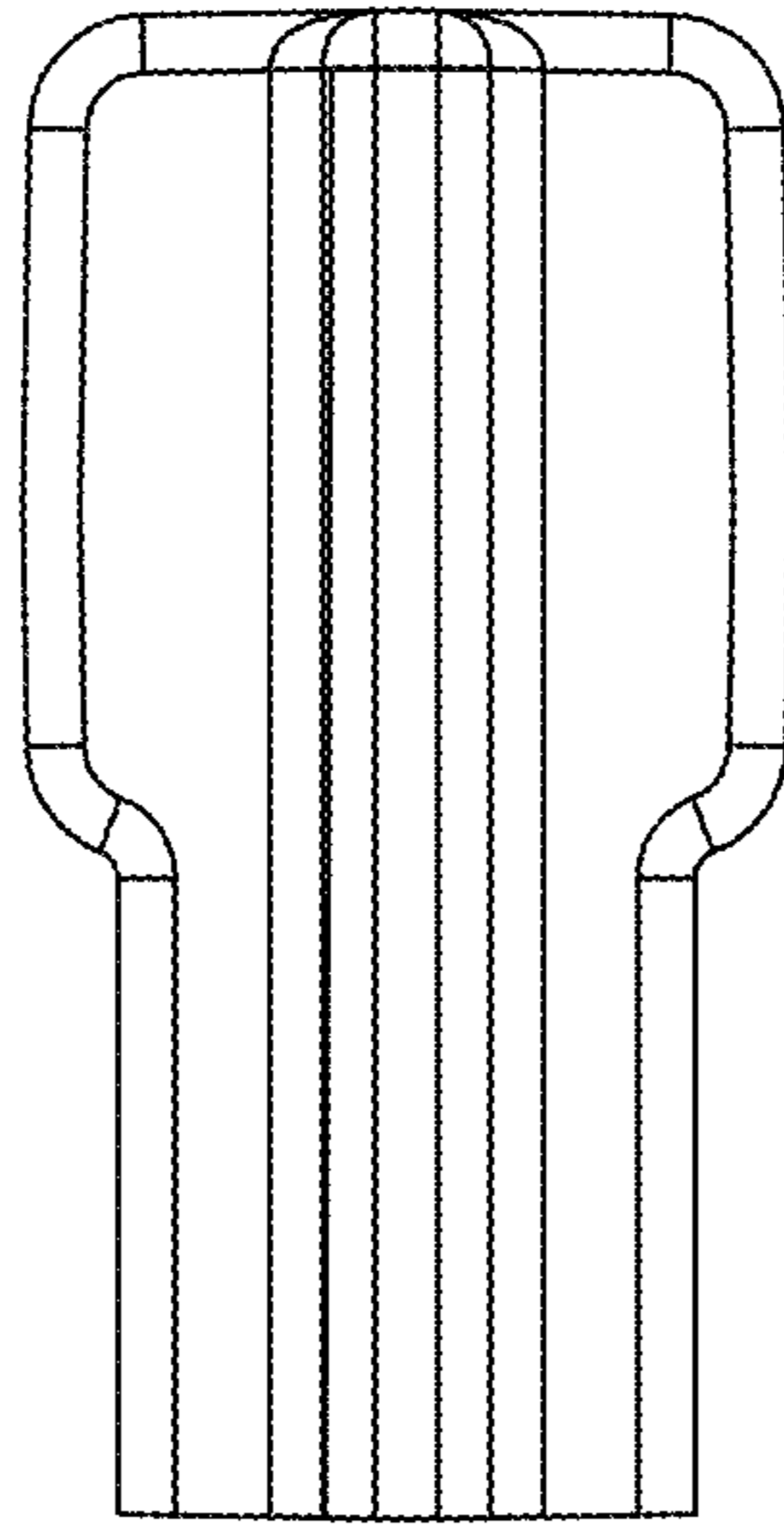


FIG. 2

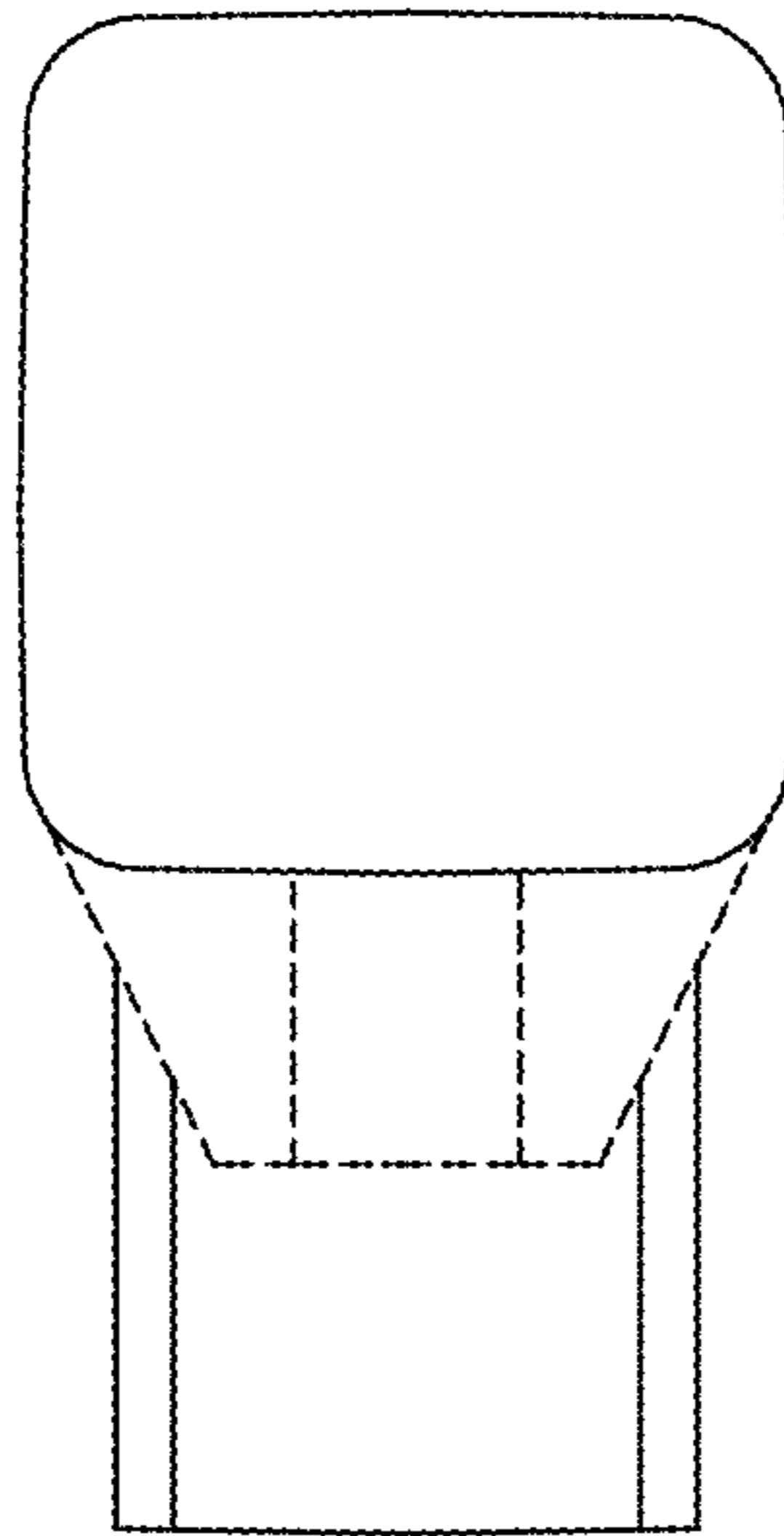


FIG. 3

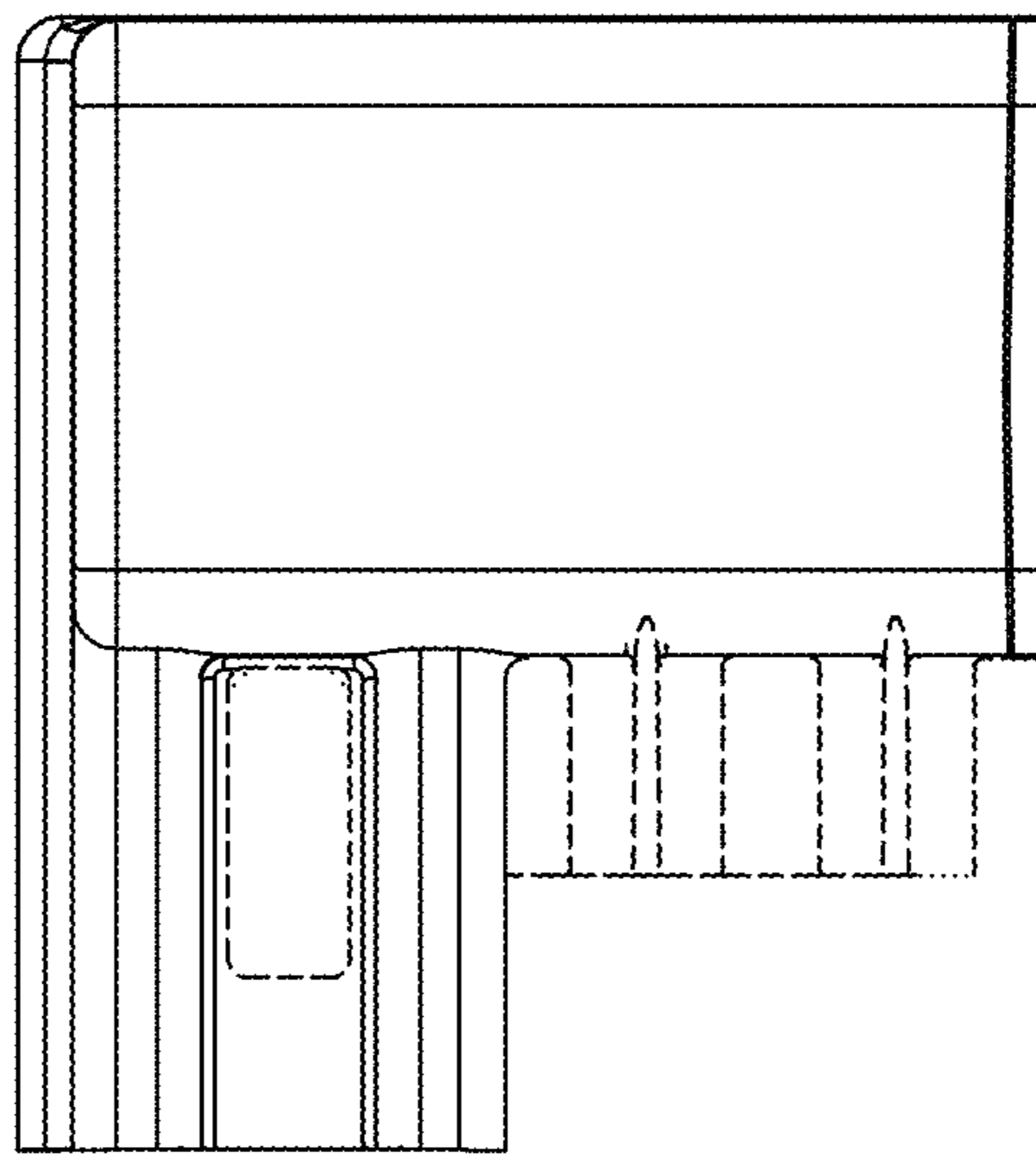


FIG. 4

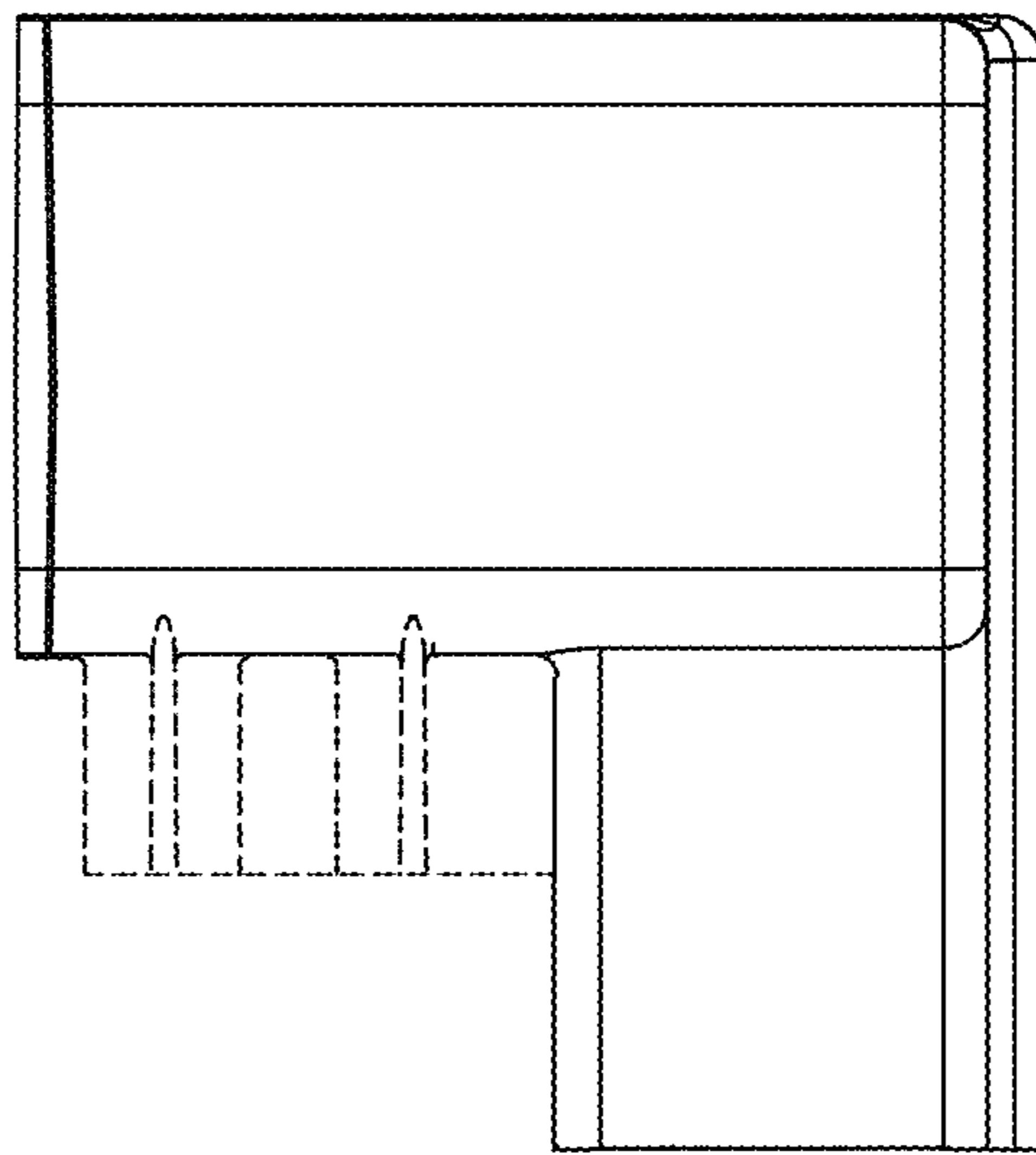


FIG. 5

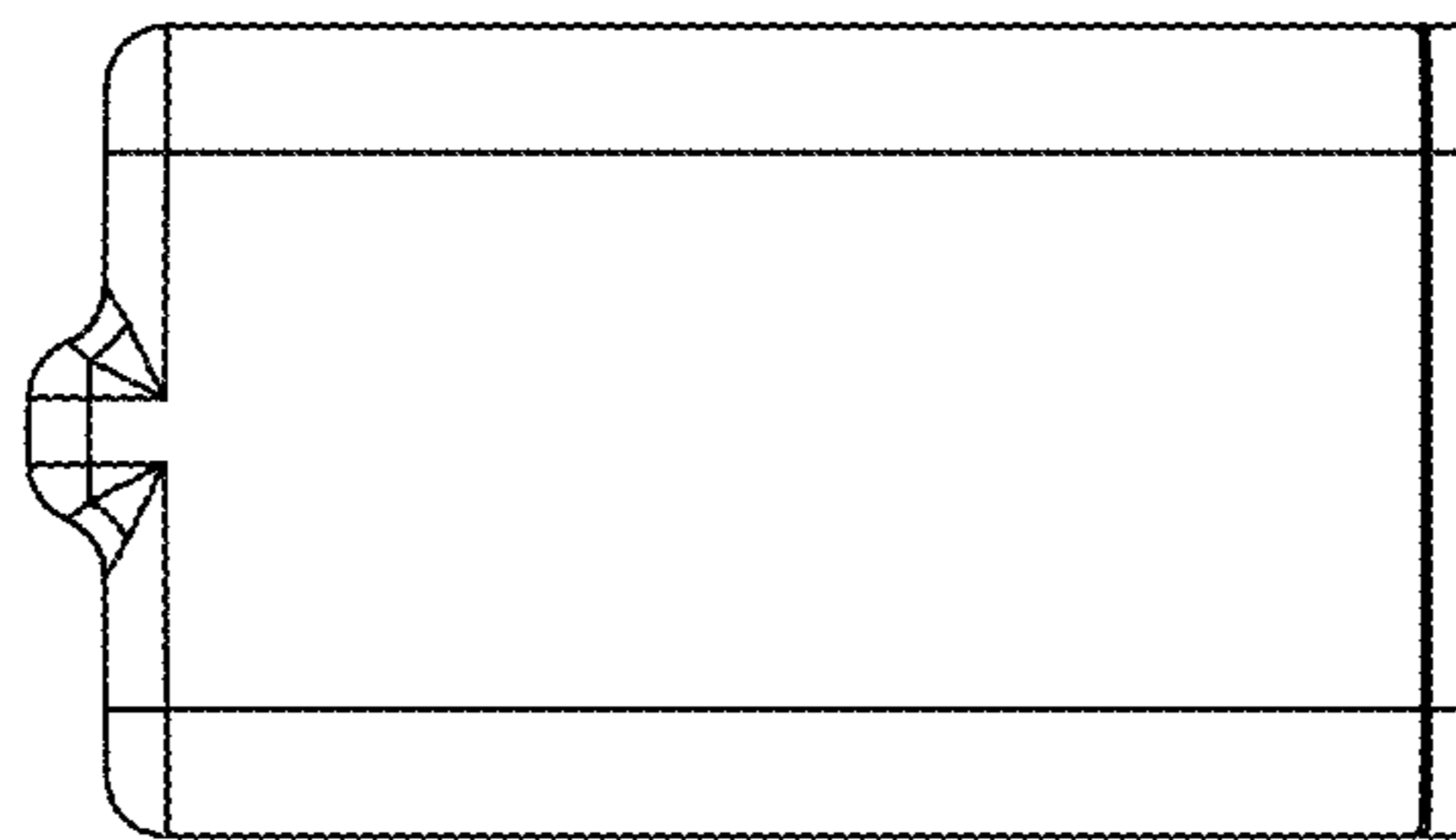


FIG. 6

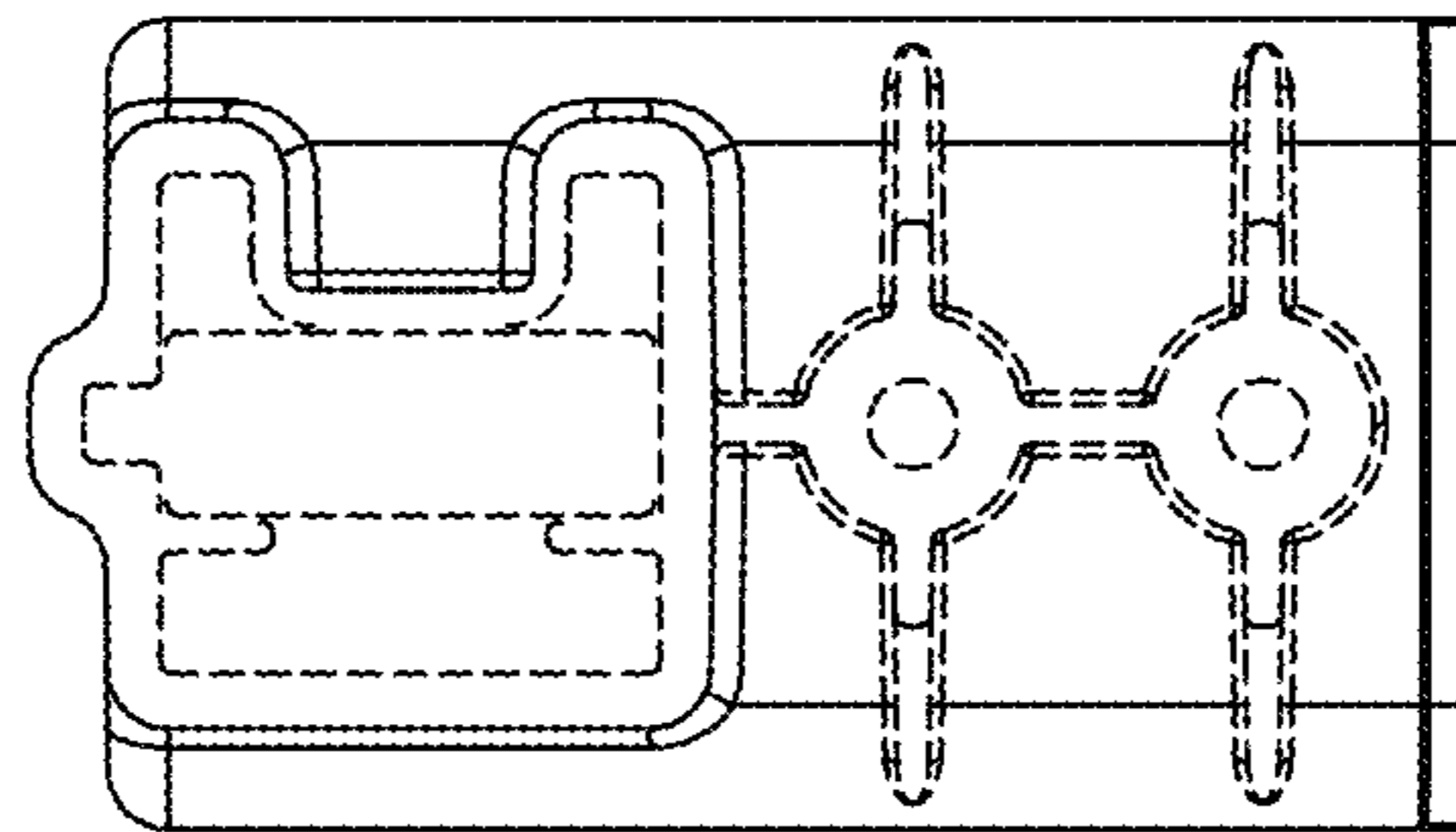


FIG. 7