



US00D818439S

(12) **United States Design Patent**
Kim et al.

(10) **Patent No.:** **US D818,439 S**
(45) **Date of Patent:** **** May 22, 2018**

(54) **ELECTRONIC CABLE**

(71) Applicant: **Snap Inc.**, Venice, CA (US)
(72) Inventors: **Jinwoo Kim**, Los Angeles, CA (US);
Evan Spiegel, Venice, CA (US);
Qiaokun Huang, Venice, CA (US);
Lauryn Morris, Los Angeles, CA (US)

(73) Assignee: **Snap Inc.**, Venice, CA (US)

(**) Term: **15 Years**

(21) Appl. No.: **29/580,252**

(22) Filed: **Oct. 6, 2016**

(51) **LOC (11) Cl.** **13-03**

(52) **U.S. Cl.**
USPC **D13/153**

(58) **Field of Classification Search**
USPC D13/108–110, 133, 137.1–137.4,
D13/138.1–138.2, 139.1–139.8, 152–154,
D13/156, 173, 177, 151, 146, 147, 107;
D14/433, 435.1, 432; D8/350–353, 331,
D8/396, 398, 399, 382, 383, 387, 393,
D8/343

(Continued)

(56) **References Cited**

U.S. PATENT DOCUMENTS

6,038,295 A 3/2000 Mattes
D471,156 S * 3/2003 Sass D13/133
(Continued)

FOREIGN PATENT DOCUMENTS

CA 2887596 7/2015
CN ZL201730110126.9 11/2017

OTHER PUBLICATIONS

Mashable.com: Snapchat Spectacles Review. Published Nov. 14, 2016. Retrieved from the internet at <http://mashable.com/2016/11/14/snapchat-spectacles-review/#HsbCXY3ZFSqT>, Sep. 22, 2017. 1 page.*

(Continued)

Primary Examiner — Rosemary K Tarcza

Assistant Examiner — Christy Nemeth

(74) *Attorney, Agent, or Firm* — Schwegman Lundberg & Woessner, P.A.

(57) **CLAIM**

The ornamental design for an electronic cable, as shown and described.

DESCRIPTION

FIG. 1 is a front view of an electronic cable, showing our new design.

FIG. 2 is a rear view thereof.

FIG. 3 is a left side view thereof.

FIG. 4 is a right side view thereof.

FIG. 5 is a top view thereof.

FIG. 6 is a bottom view thereof.

FIG. 7 is a top left front perspective view thereof.

FIG. 8 is a bottom-right-front perspective view thereof.

FIG. 9 is a bottom-left-rear perspective view thereof.

FIG. 10 is a top-right-rear perspective view thereof.

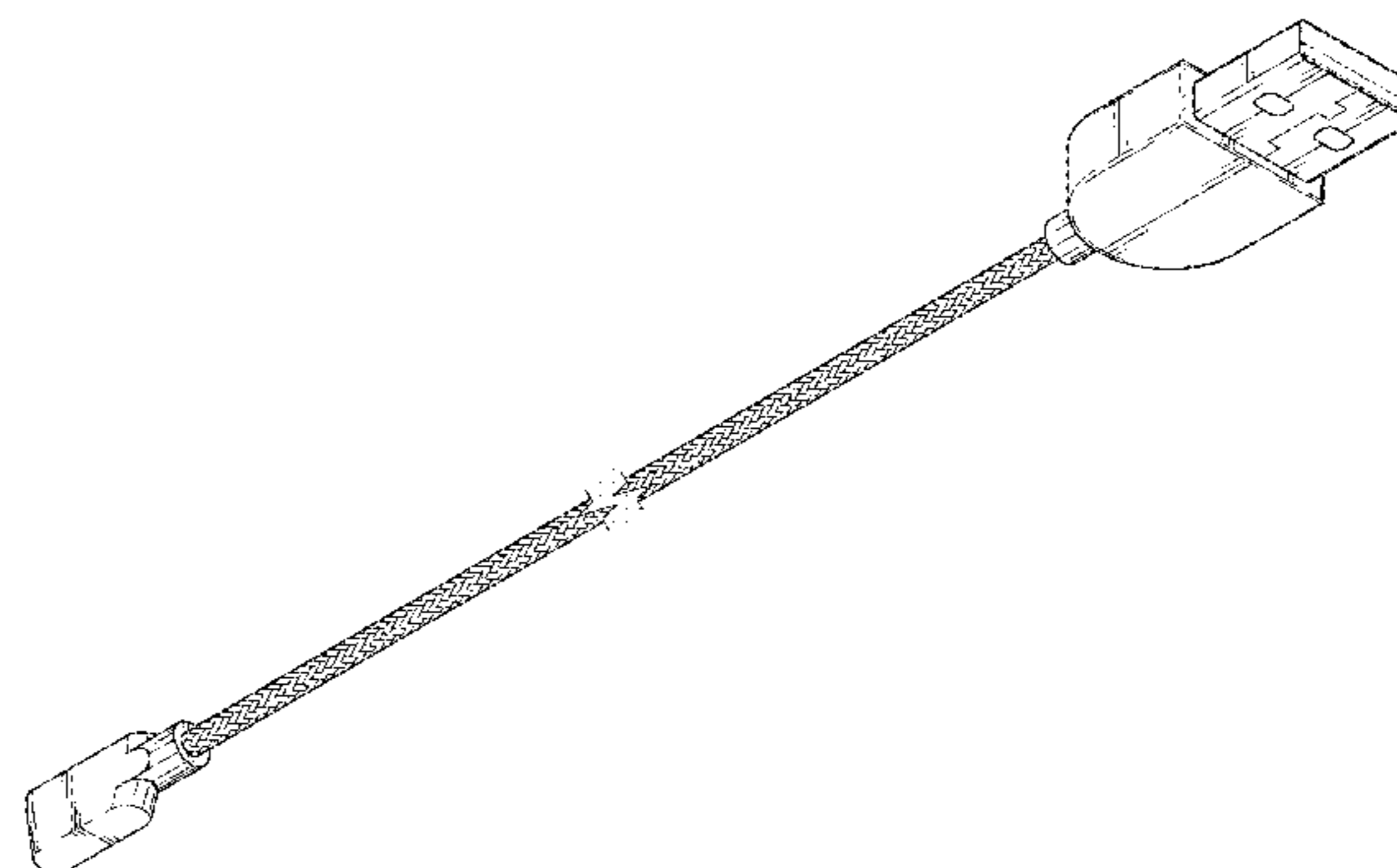
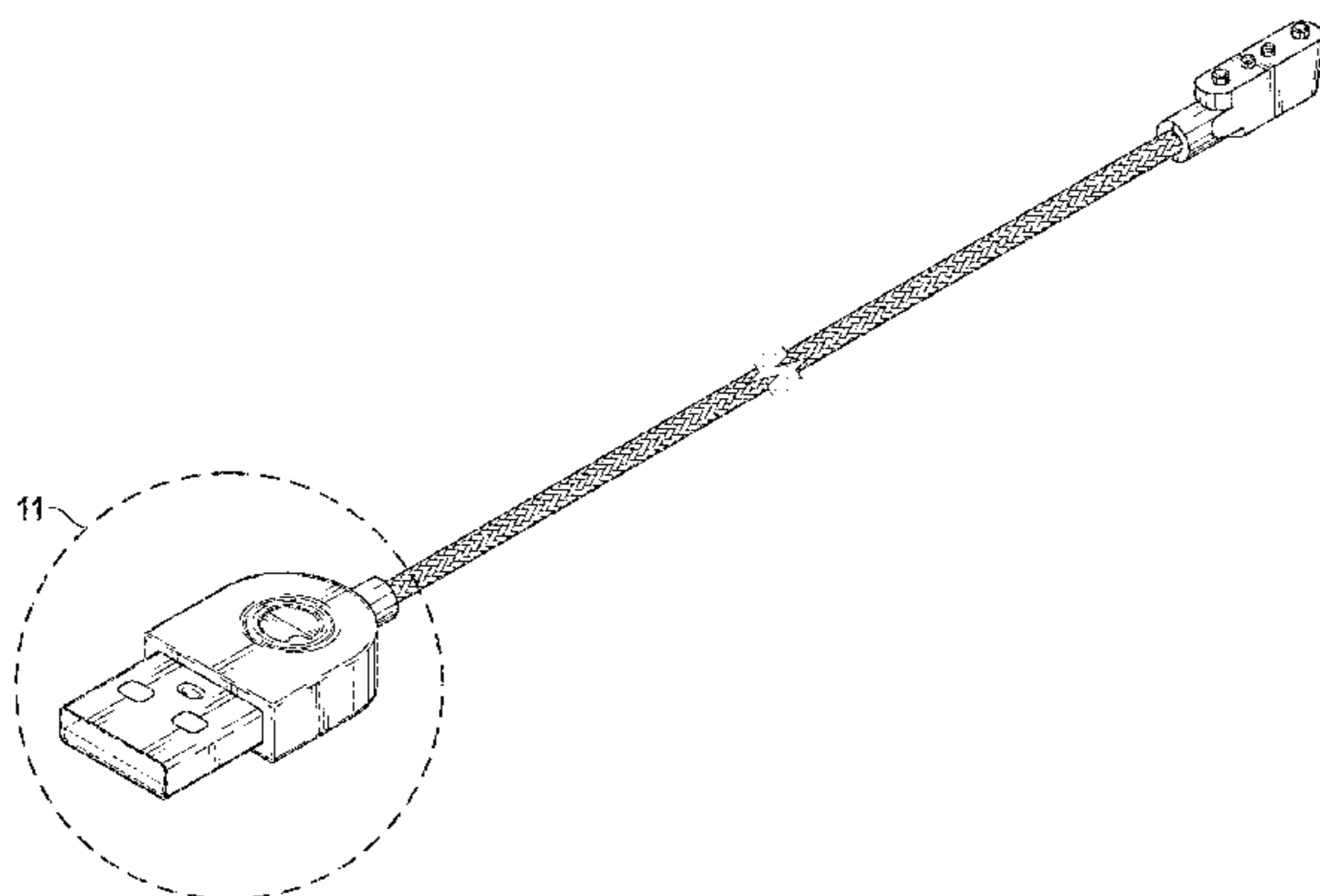
FIG. 11 is an enlarged top-left-front perspective view of a front end of the electronic cable, indicated by “11” in FIG. 7; and,

FIG. 12 is an enlarged top-right-rear perspective view of a rear end of the electronic cable, indicated by “12” in FIG. 10.

The broken lines in the drawings are for the purpose of illustrating portions of the electronic cable that form no part of the claimed design.

The electronic cable is shown with a symbolic break in its length. The appearance of any portion of the electronic cable between the break lines forms no part of the claimed design.

1 Claim, 7 Drawing Sheets



(58) **Field of Classification Search**
 CPC H01R 25/00; H01R 25/006; H01R 25/003;
 H01R 9/00; H01R 11/00; H01R 13/46;
 H01R 13/62; H01R 13/639; H01R
 13/6392; H02J 2007/0062; H02G 3/14
 See application file for complete search history.

8,874,677	B2	10/2014	Rosen et al.
8,909,679	B2	12/2014	Root et al.
8,995,433	B2	3/2015	Rojas
9,040,574	B2	5/2015	Wang et al.
D733,142	S *	6/2015	Solomon D14/433
9,055,416	B2	6/2015	Rosen et al.
9,100,806	B2	8/2015	Rosen et al.
9,100,807	B2	8/2015	Rosen et al.
9,191,776	B2	11/2015	Root et al.
9,204,252	B2	12/2015	Root
9,443,227	B2	9/2016	Evans et al.
9,489,661	B2	11/2016	Evans et al.
9,491,134	B2	11/2016	Rosen et al.
2011/0202598	A1	8/2011	Evans et al.
2012/0209924	A1	8/2012	Evans et al.

(56) **References Cited**

U.S. PATENT DOCUMENTS

D507,779	S *	7/2005	Mazzullo D13/133
6,980,909	B2	12/2005	Root et al.
7,173,651	B1	2/2007	Knowles
D553,567	S *	10/2007	Kawanobe D13/133
7,411,493	B2	8/2008	Smith
7,535,890	B2	5/2009	Rojas
D601,091	S *	9/2009	Hyland D13/133
D636,015	S *	4/2011	Agosto, Jr. D13/133
8,131,597	B2	3/2012	Hudetz
8,199,747	B2	6/2012	Rojas et al.
8,332,475	B2	12/2012	Rosen et al.
8,718,333	B2	5/2014	Wolf et al.
8,724,622	B2	5/2014	Rojas
D712,836	S *	9/2014	Lee D13/133

OTHER PUBLICATIONS

Leyden, John, "This SMS will self-destruct in 40 seconds", [Online]. Retrieved from the internet: URL: <http://www.theregister.co.uk/2005/12/12/stealthtext/>, (Dec. 12, 2005), 1 pg.
 "Canadian Application Serial No. 173,745, Office Action dated Sep. 29, 2017", 2 pgs.

* cited by examiner

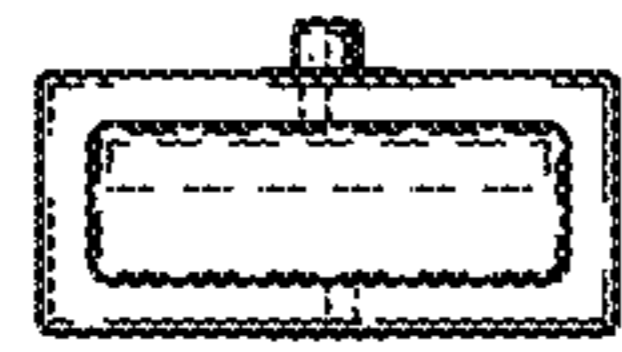


FIG. 1

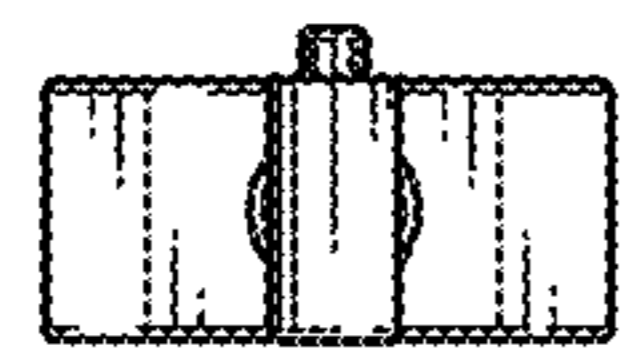


FIG. 2

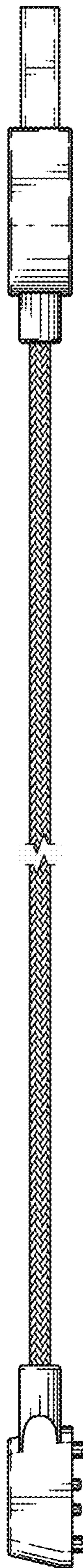


FIG. 3

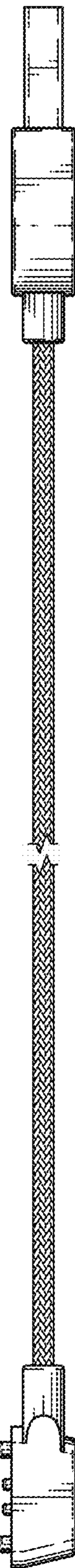


FIG. 4

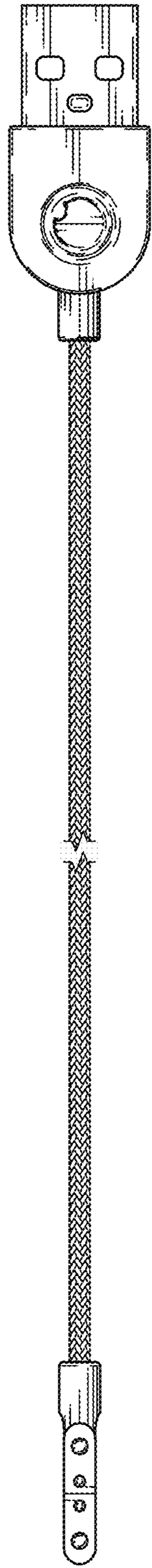


FIG. 5

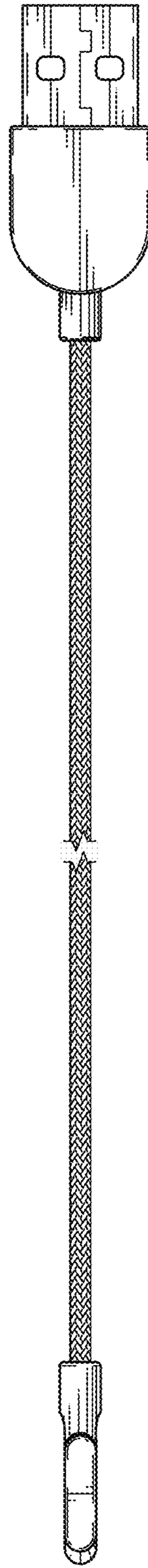


FIG. 6

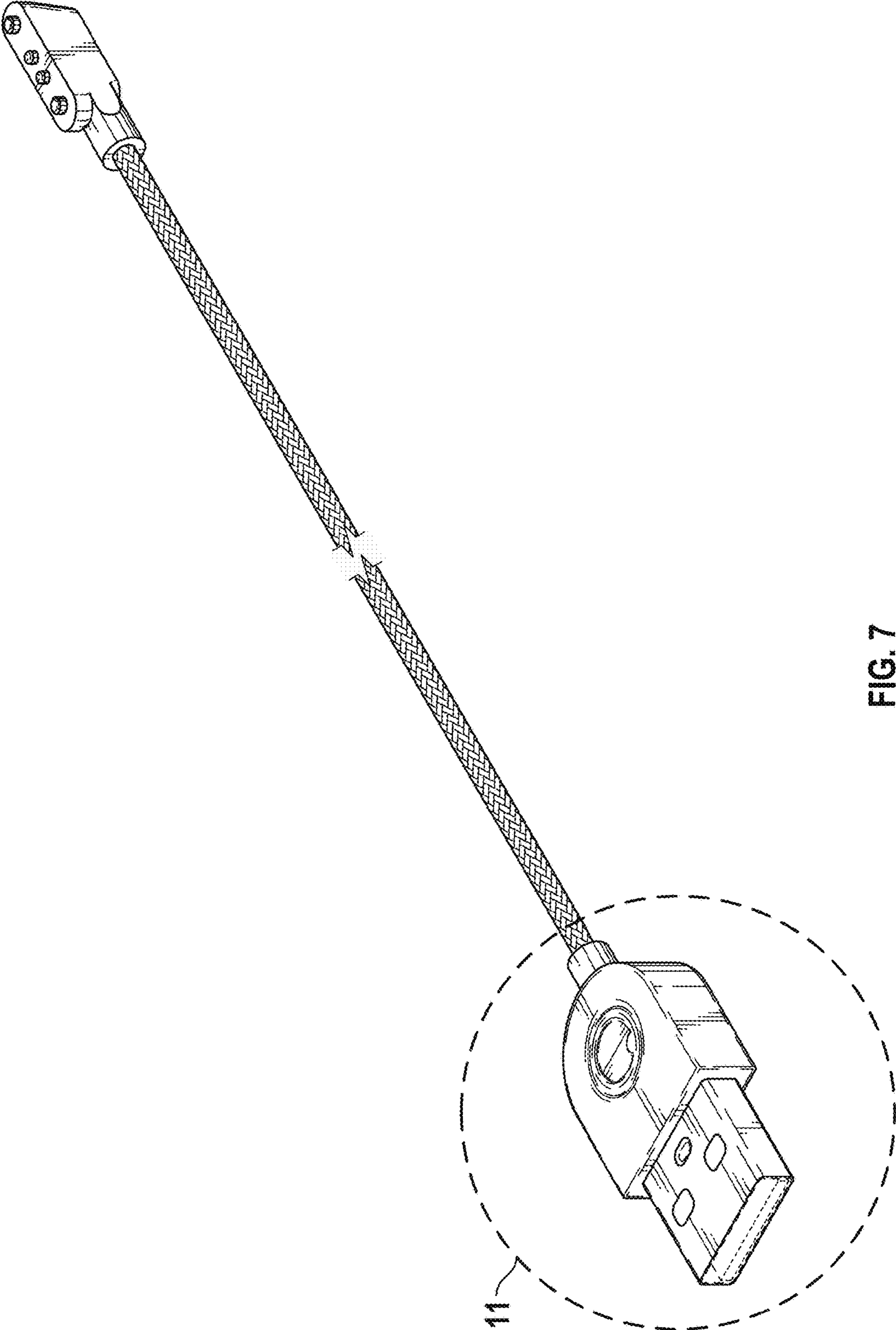


FIG. 7

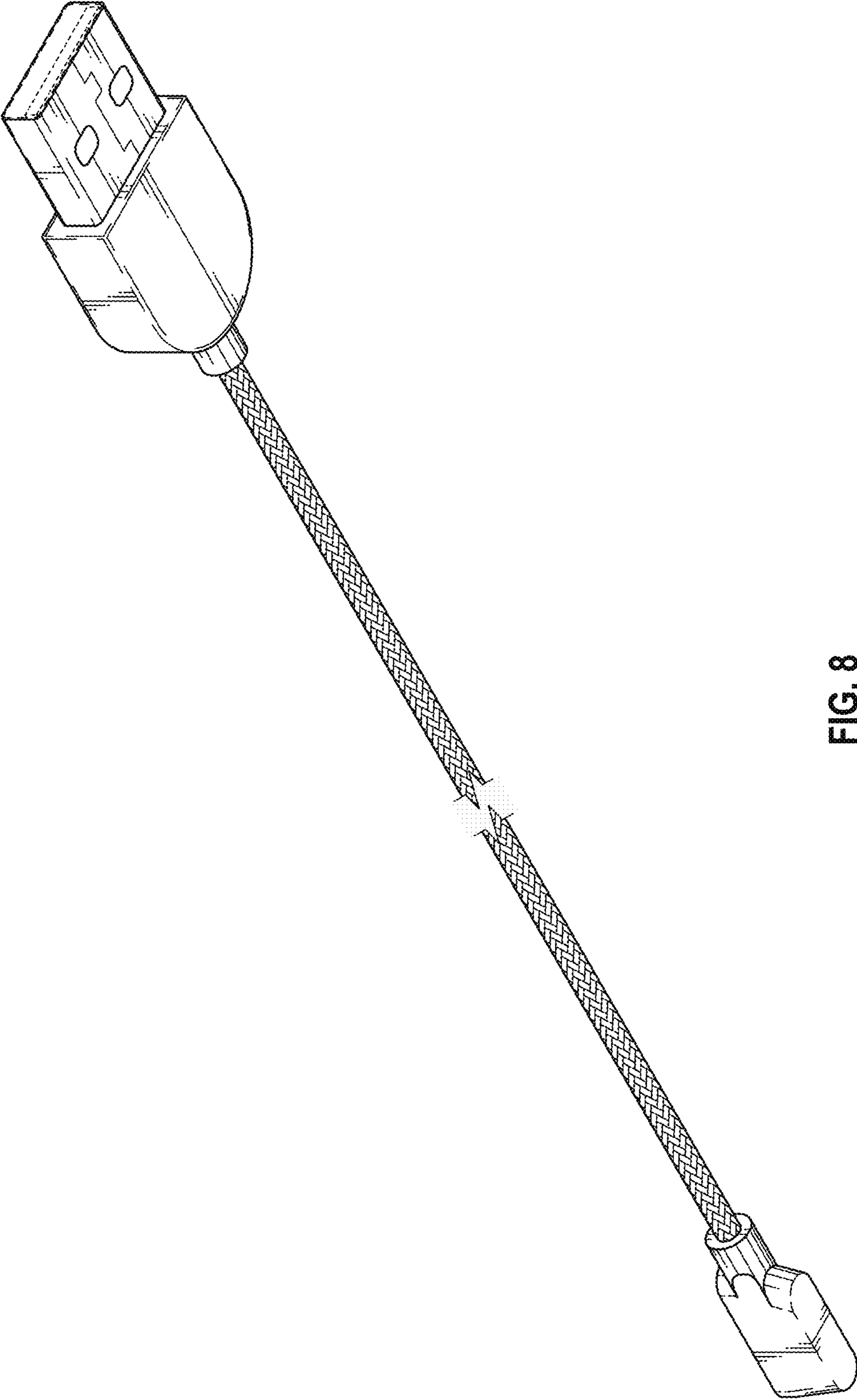


FIG. 8

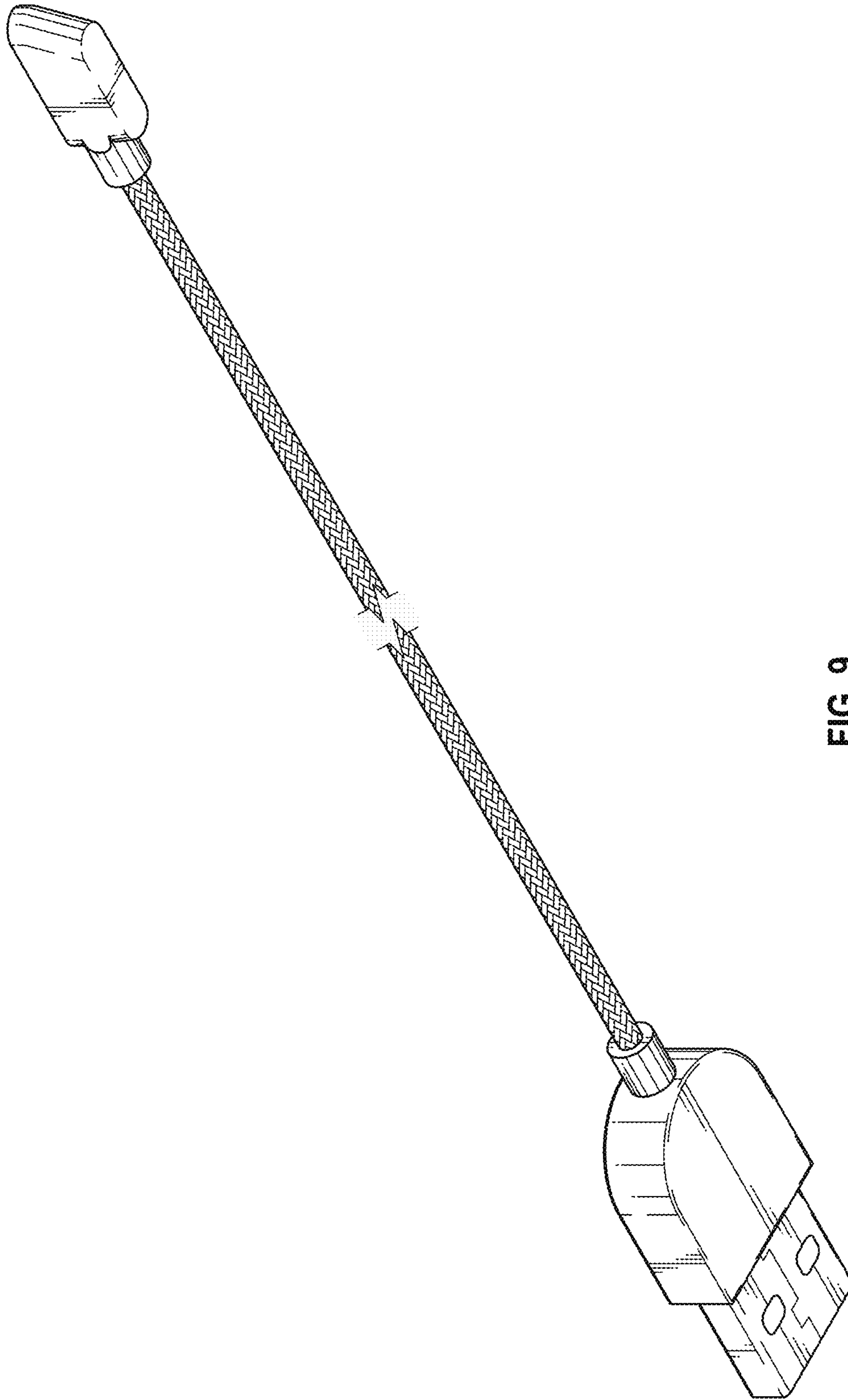


FIG. 9

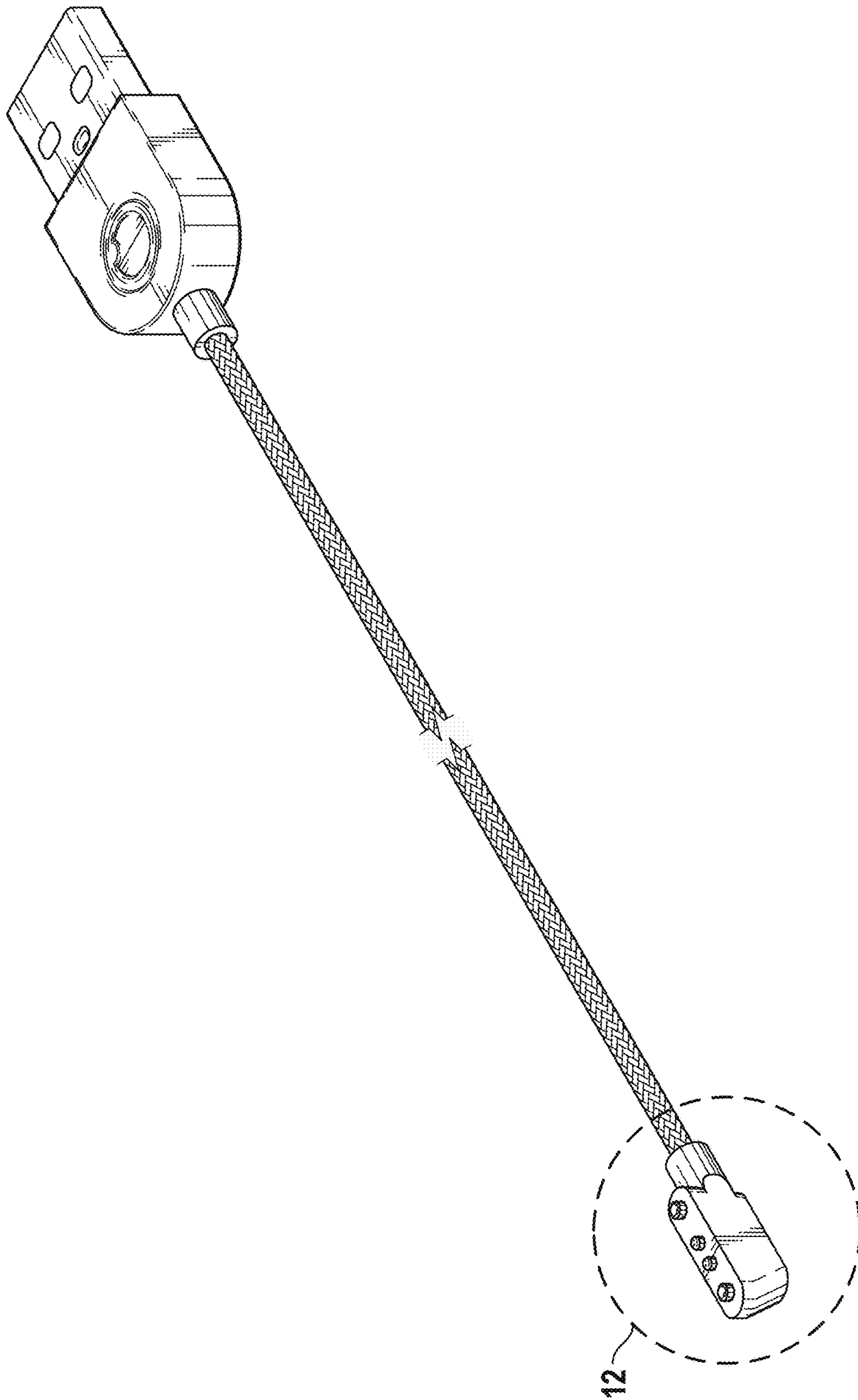


FIG. 10

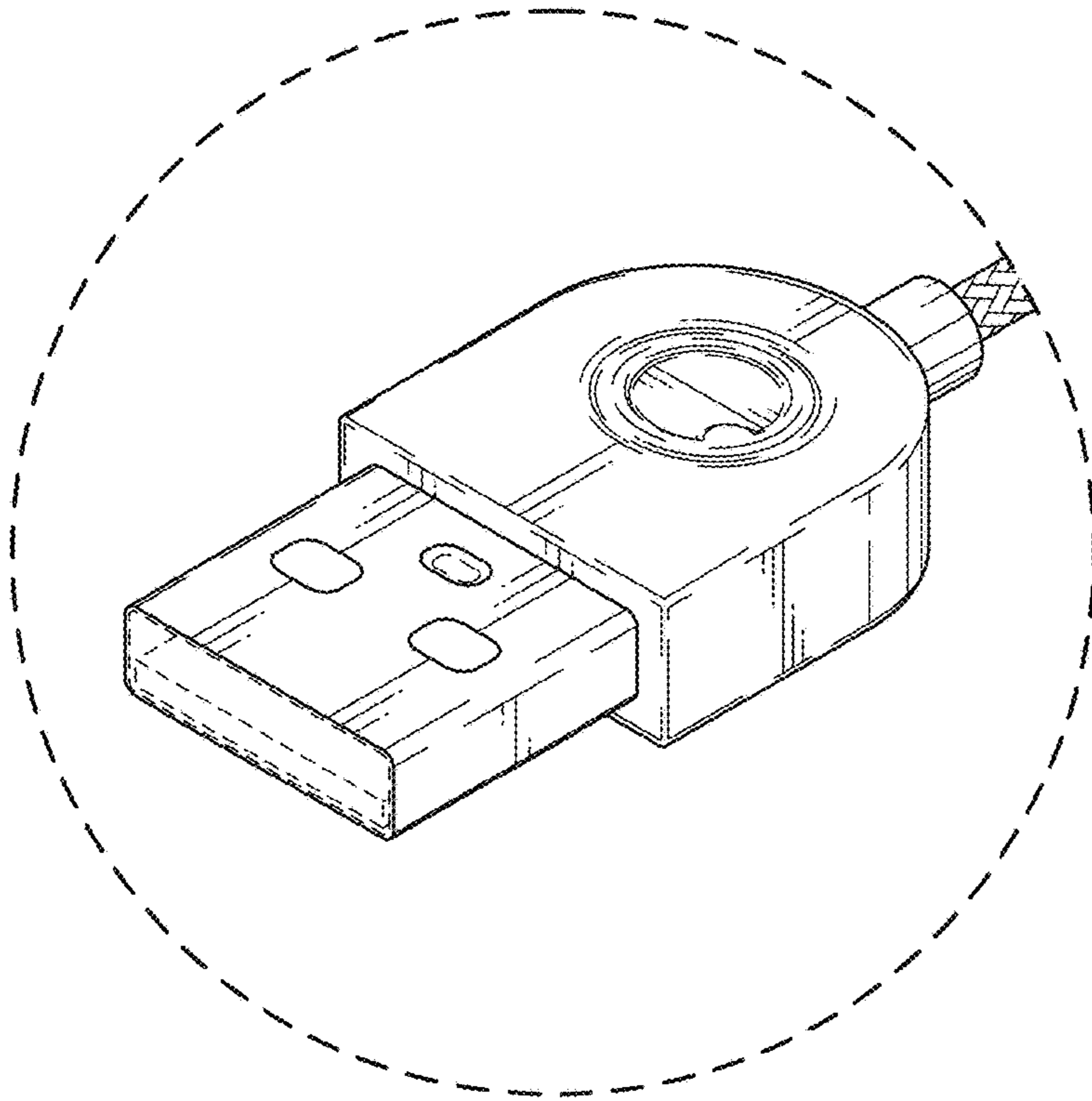


FIG. 11

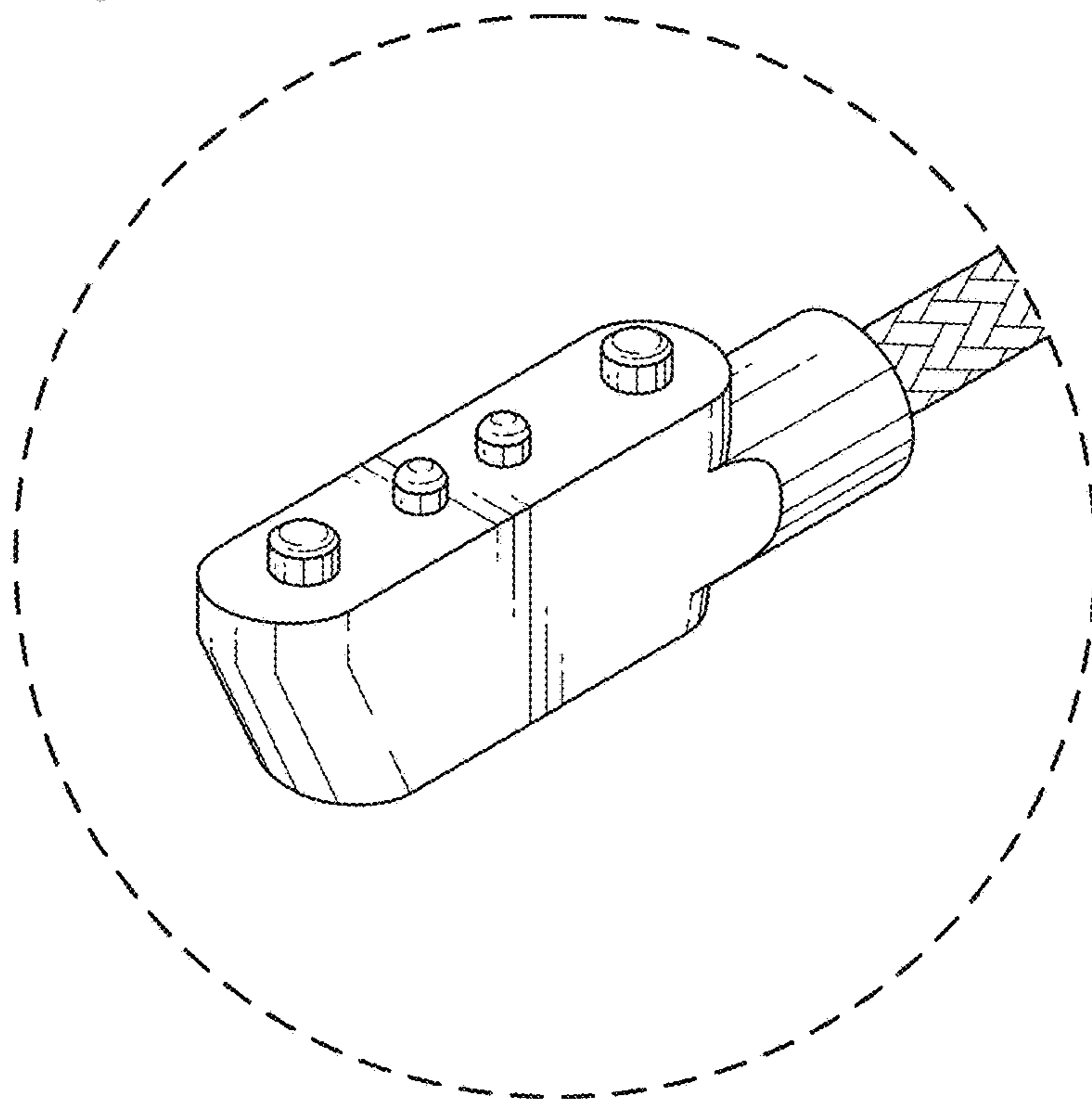


FIG. 12

UNITED STATES PATENT AND TRADEMARK OFFICE
CERTIFICATE OF CORRECTION

PATENT NO. : D818,439 S
APPLICATION NO. : 29/580252
DATED : May 22, 2018
INVENTOR(S) : Kim et al.

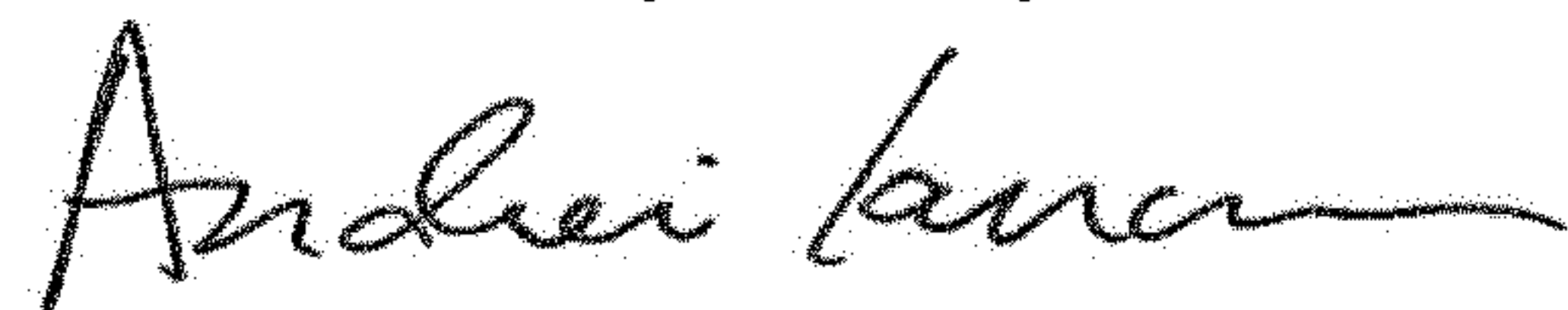
Page 1 of 1

It is certified that error appears in the above-identified patent and that said Letters Patent is hereby corrected as shown below:

On the Title Page

Description, in Column 2, Line 8, delete "top left front" and insert --top-left-front-- therefor

Signed and Sealed this
Fifth Day of May, 2020



Andrei Iancu
Director of the United States Patent and Trademark Office