



US00D818438S

(12) **United States Design Patent** (10) **Patent No.:** **US D818,438 S**  
**Sinclair et al.** (45) **Date of Patent:** **\*\* May 22, 2018**

(54) **ELECTRICAL PLUG HOUSING**  
(71) Applicant: **IP Holdings, LLC**, Vancouver, WA (US)  
(72) Inventors: **Michael Sinclair**, Vancouver, WA (US); **Sergio Corona**, Upland, CA (US)  
(73) Assignee: **IP Holdings, LLC**, Vancouver, WA (US)  
(\*\*) Term: **15 Years**  
(21) Appl. No.: **29/558,123**  
(22) Filed: **Mar. 15, 2016**

5,451,171 A 9/1995 Dickie  
5,462,457 A 10/1995 Schroepfer  
D373,568 S 9/1996 Bloom  
D375,081 S 10/1996 Sandor  
5,603,638 A 2/1997 Brown  
5,613,863 A 3/1997 Klaus  
5,620,335 A 4/1997 Siemon  
D379,177 S 5/1997 Chu  
D380,732 S 7/1997 Saunders  
D399,822 S 10/1998 Starec  
D400,173 S 10/1998 Starec  
D406,260 S 3/1999 Wardenburg  
D404,008 S 10/1999 Bennet  
6,074,234 A 6/2000 Hasegawa  
6,109,977 A 8/2000 Baxter  
D437,828 S 2/2001 Corona  
D439,221 S 3/2001 Corona  
D445,763 S 7/2001 Corona  
D446,186 S \* 8/2001 Corona ..... D13/133  
6,290,512 B1 9/2001 Mullen

(Continued)

**Related U.S. Application Data**

(63) Continuation of application No. 29/520,168, filed on Mar. 11, 2015, now Pat. No. Des. 755,722, which is a continuation of application No. 29/446,133, filed on Feb. 20, 2013, now Pat. No. Des. 726,116.  
(51) **LOC (11) Cl.** ..... **13-03**  
(52) **U.S. Cl.**  
USPC ..... **D13/146**  
(58) **Field of Classification Search**  
USPC ..... D13/137.01, 137.3, 138.1, 138.2, 139.1, D13/133, 146, 147, 154, 184, 199  
See application file for complete search history.

*Primary Examiner* — Daniel Bui  
(74) *Attorney, Agent, or Firm* — Robert J. Ireland

(57) **CLAIM**

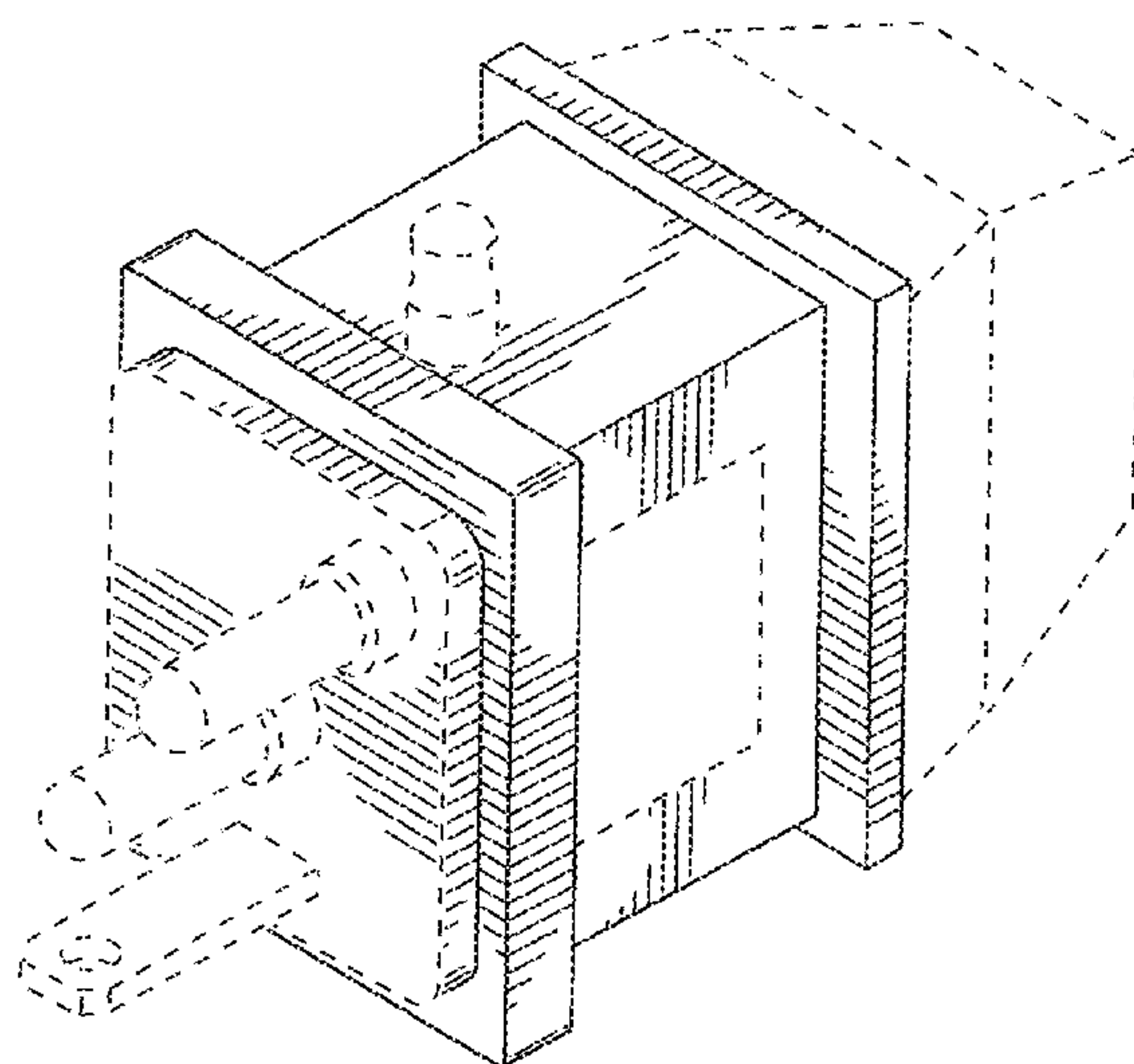
The ornamental design for an electrical plug housing, as shown and described.

**DESCRIPTION**

FIG. 1 is a front, top, and right side perspective view of an electrical plug housing showing our new design; FIG. 2 is a right side elevation view thereof; FIG. 3 is a left side elevation view thereof; FIG. 4 is a top plan view thereof; FIG. 5 is a bottom plan view thereof; FIG. 6 is a back elevation view thereof; and, FIG. 7 is a front elevation view thereof. The broken-line in the drawing views represent unclaimed environment only and forms no part of the claimed design.

**1 Claim, 7 Drawing Sheets**

(56) **References Cited**  
U.S. PATENT DOCUMENTS  
3,025,486 A 3/1962 Falconer  
4,203,004 A 5/1980 Cox  
D286,397 S 10/1986 Challans  
D314,750 S 2/1991 Wegrzyn  
D322,954 S 1/1992 Avramovich  
D324,028 S 2/1992 Sueyoshi  
D358,802 S 5/1995 Kunz



(56)

**References Cited**

U.S. PATENT DOCUMENTS

6,379,169	B1 *	4/2002	Corona .....	H01R 13/5219 439/271
6,383,003	B1	5/2002	Corona	
D460,049	S	7/2002	McCoy	
6,435,916	B1	8/2002	Amberg	
D472,883	S	4/2003	Harvey	
D492,652	S	7/2004	McCoy	
D493,428	S	7/2004	McCoy	
6,790,093	B2	9/2004	Tanaka	
D510,067	S	9/2005	Miller	
D511,748	S	11/2005	Caine	
6,991,482	B1	1/2006	Liao	
6,997,723	B2	2/2006	Lee	
D530,286	S	10/2006	Phung	
D543,941	S	6/2007	Hargreaves	
D544,840	S	6/2007	Hargreaves	
D545,764	S	7/2007	Allison	
D570,295	S	6/2008	Hargreaves	
7,390,210	B2	6/2008	Corona	
7,431,602	B2	10/2008	Corona	
7,785,123	B2	8/2010	Corona	
7,791,864	B2	8/2010	Matyas	
D677,629	S *	3/2013	Corona .....	D13/133
D678,200	S	3/2013	Corona	
D726,116	S *	4/2015	Corona .....	D13/146
D755,722	S *	5/2016	Sinclair .....	D13/146
2003/0068909	A1	4/2003	Su	

\* cited by examiner

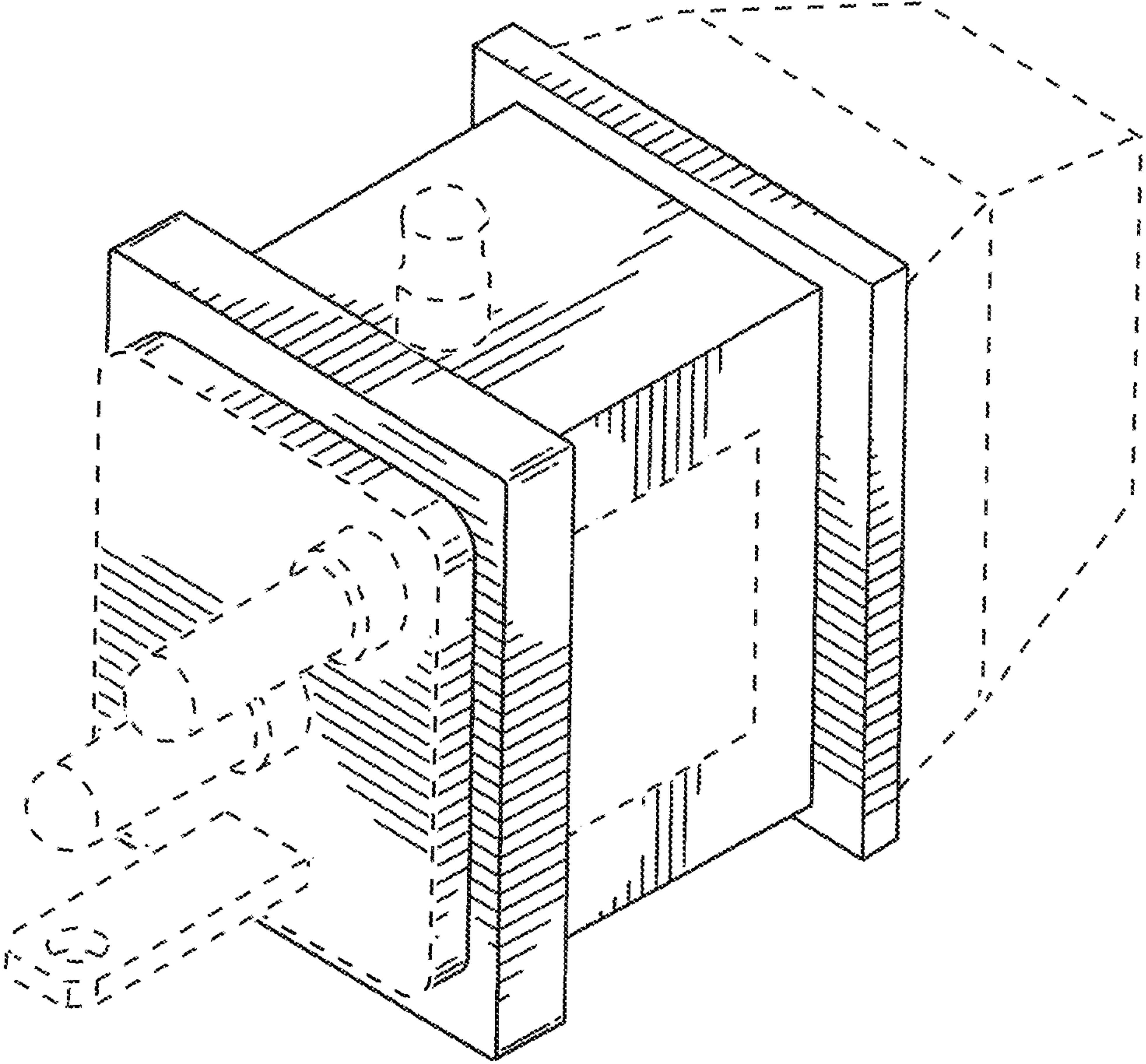


FIG. 1

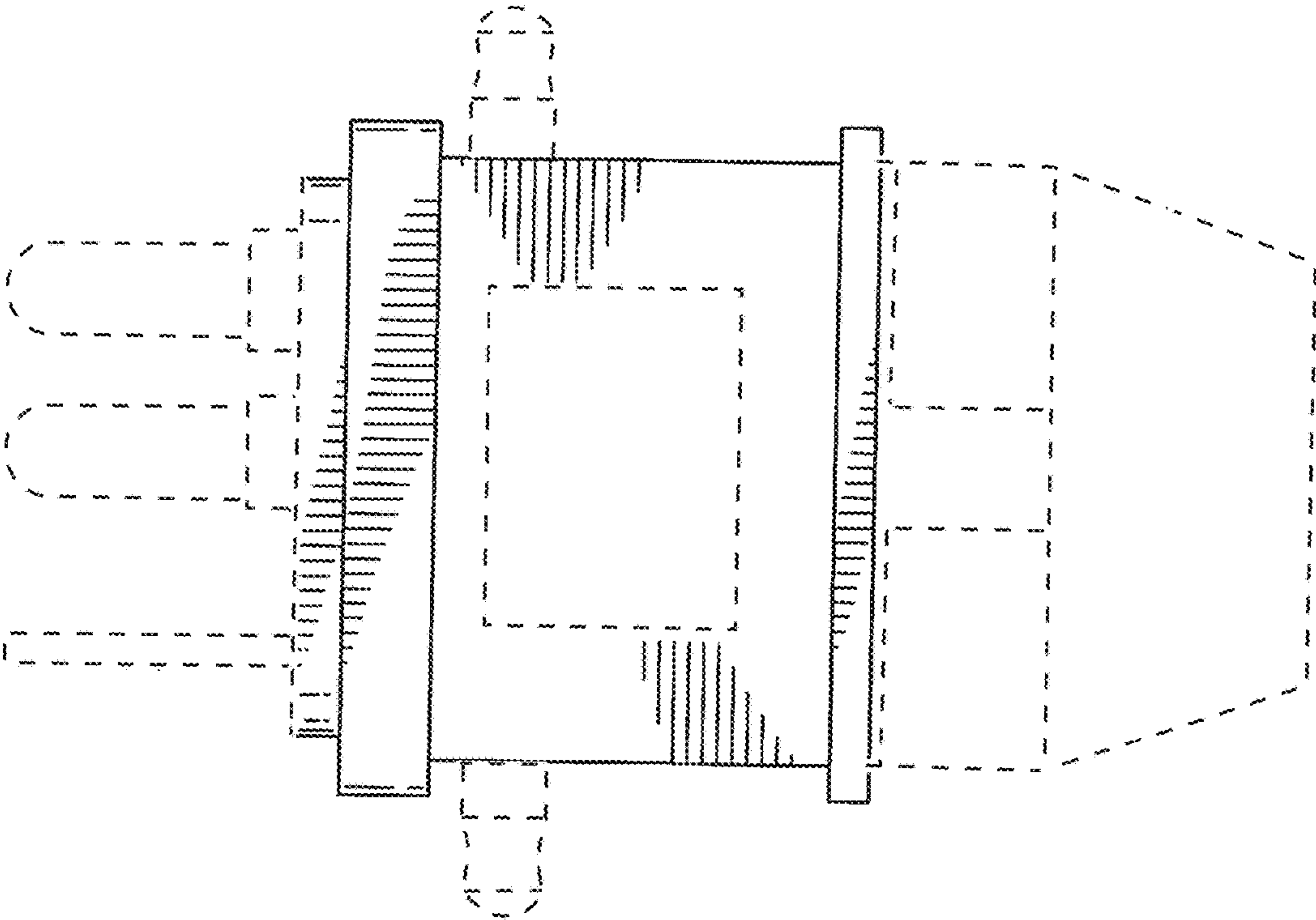


FIG. 2

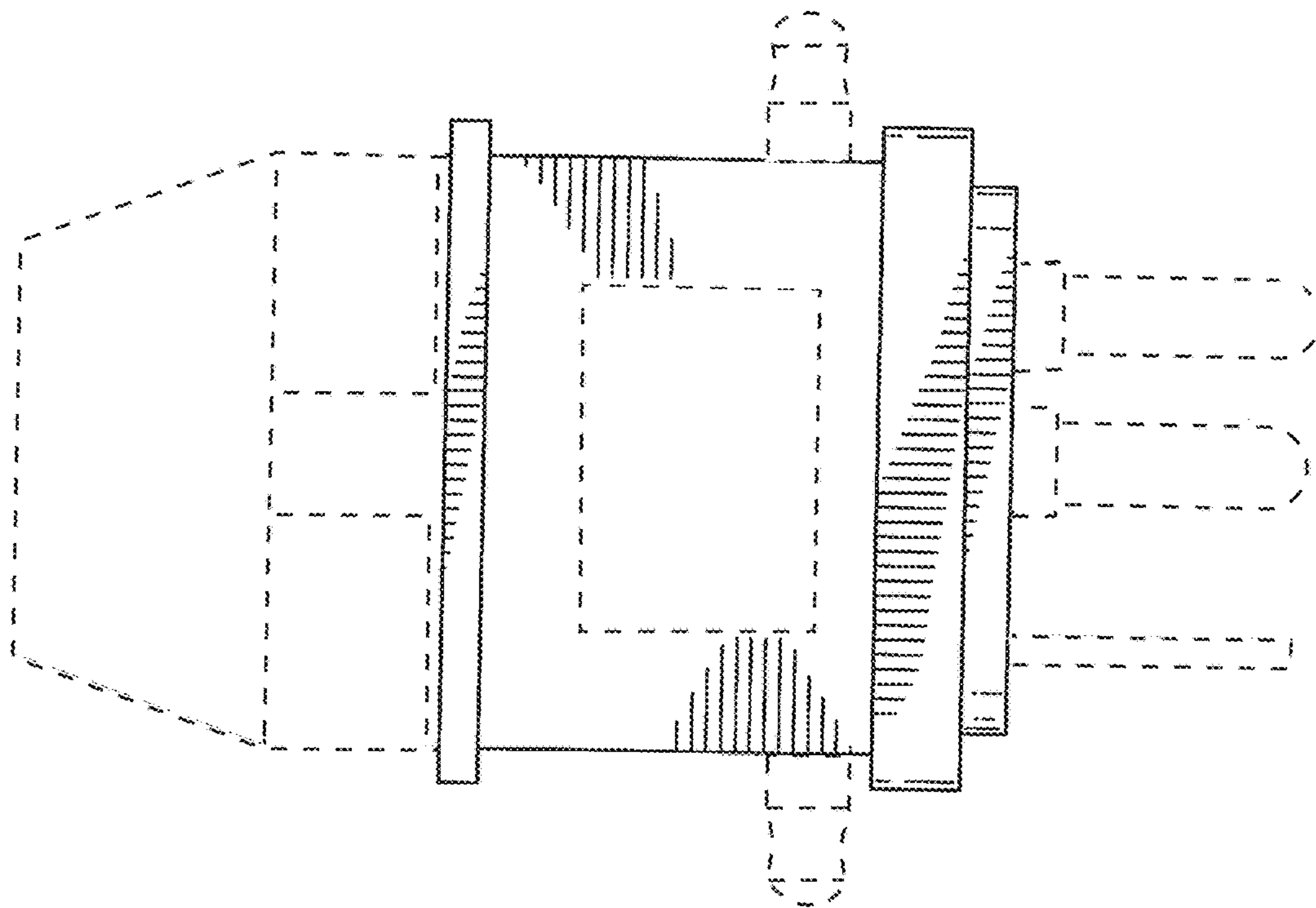


FIG. 3



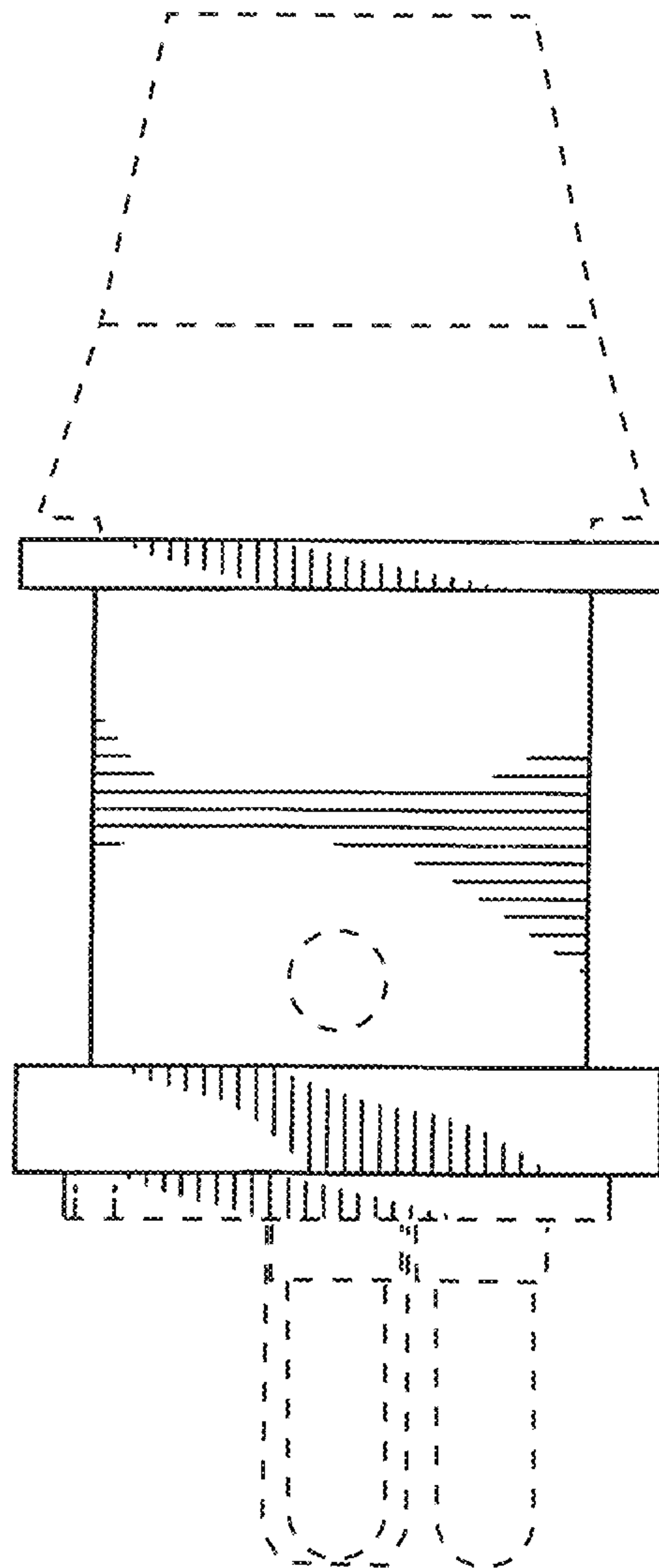


FIG. 4

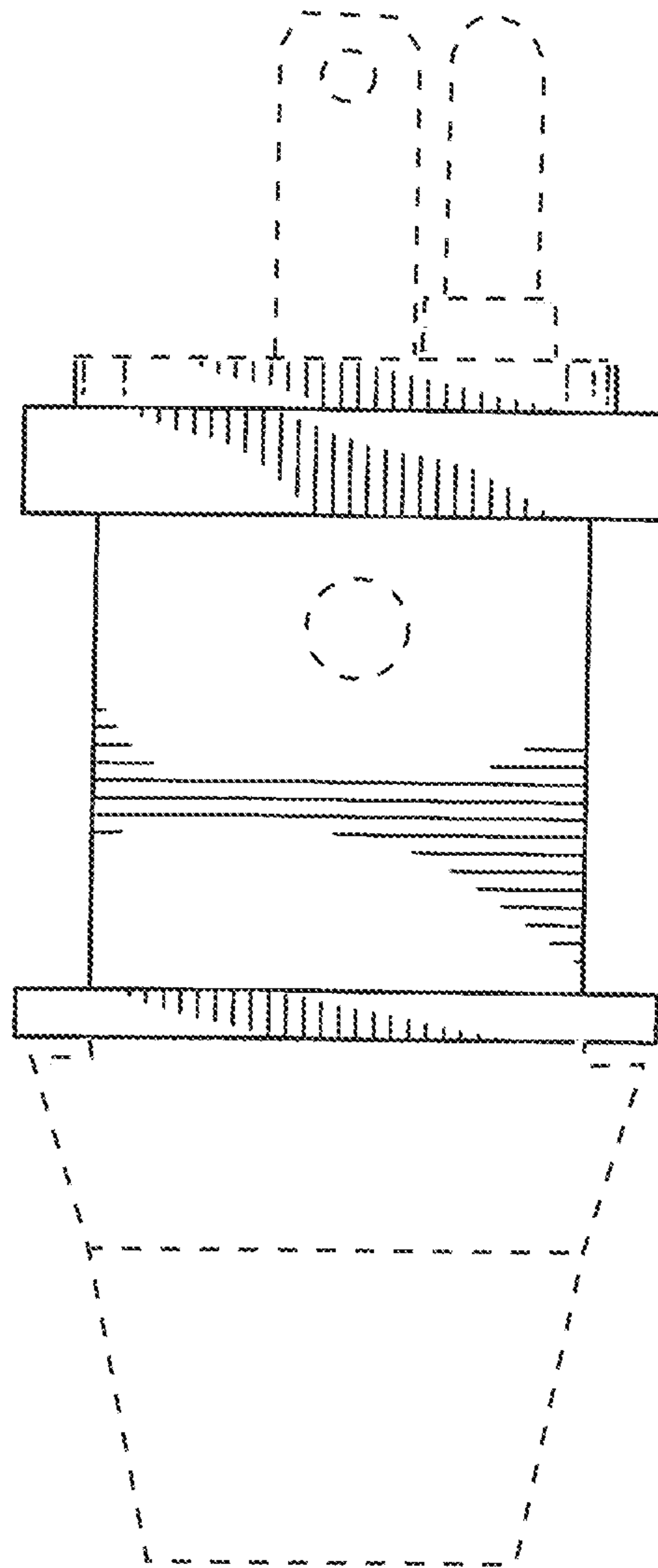


FIG. 5

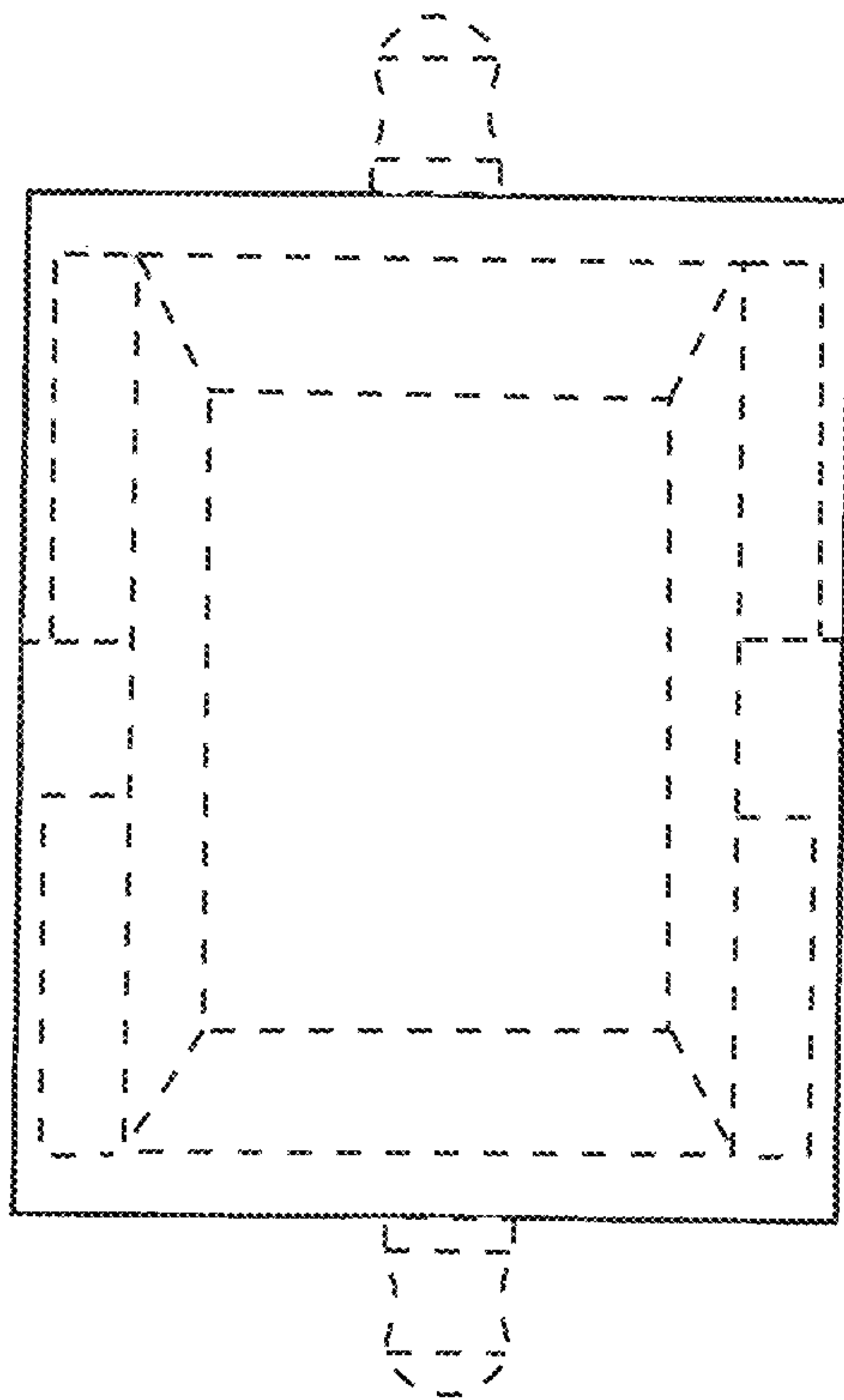
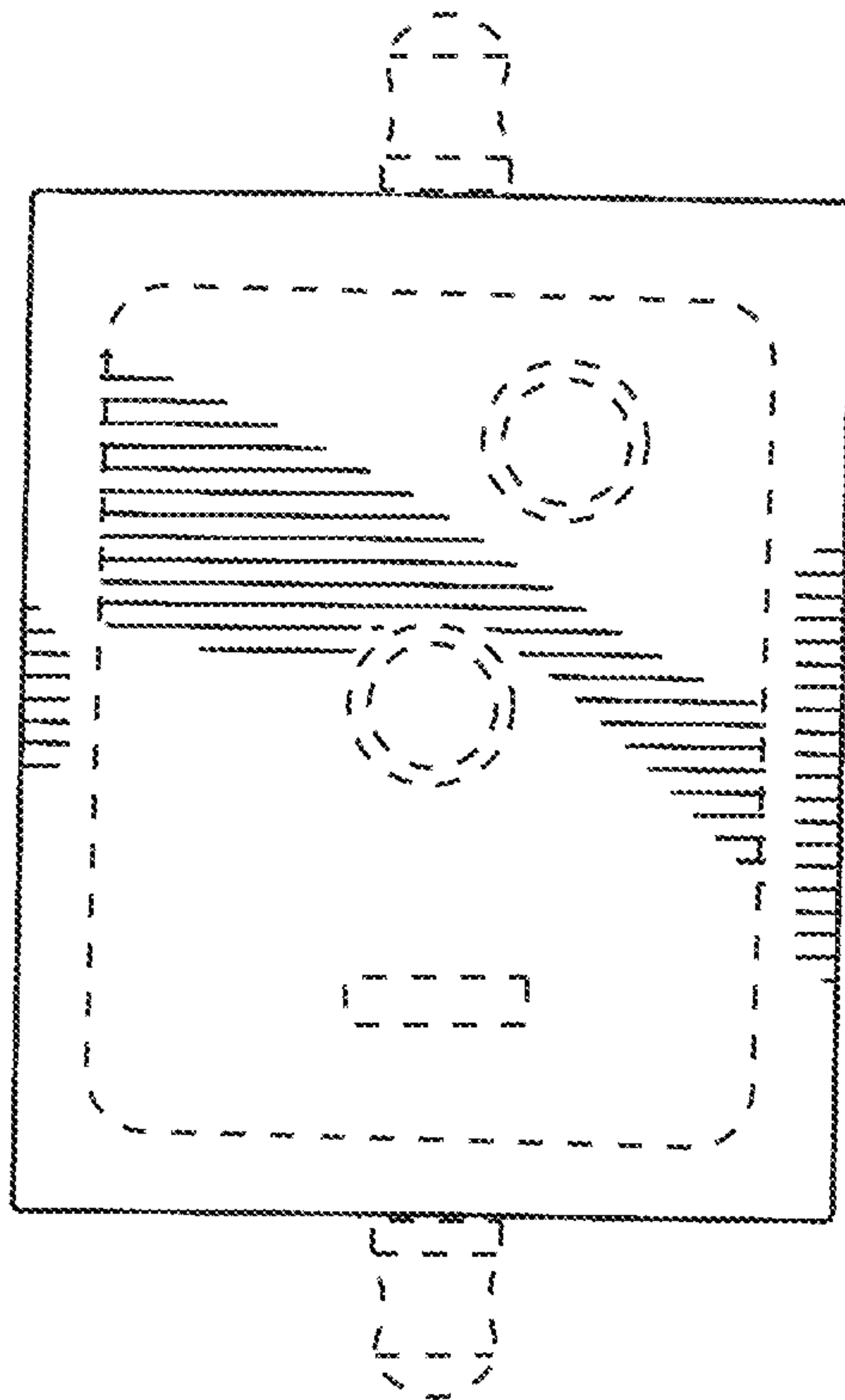


FIG. 6





**FIG. 7**