



US00D818435S

(12) **United States Design Patent** (10) **Patent No.:** **US D818,435 S**
Matthews et al. (45) **Date of Patent:** **** May 22, 2018**

- (54) **GENSET ENCLOSURE**
- (71) Applicant: **Cummins Power Generation IP, Inc.**,
Minneapolis, MN (US)
- (72) Inventors: **James Matthews**, Kent (GB); **Todd Radke**, Lino Lakes, MN (US);
Mariann Peterschick, St. Paul, MN (US)
- (73) Assignee: **Cummins Power Generation IP, Inc.**,
Minneapolis, MN (US)
- (**) Term: **15 Years**
- (21) Appl. No.: **29/567,511**
- (22) Filed: **Jun. 9, 2016**

4,835,405 A	5/1989	Clancey et al.
D309,288 S	7/1990	Haverly
5,624,589 A	4/1997	Latvis et al.
5,642,702 A	7/1997	Kouchi et al.
D416,858 S	11/1999	Domanski
6,124,567 A	9/2000	Feldhausen et al.
D503,381 S	3/2005	Mizokami et al.
D575,733 S	8/2008	Murata et al.
D596,122 S	7/2009	Imai
D646,636 S	10/2011	Riimala
8,134,244 B2	3/2012	Wurth
D662,055 S	6/2012	Little et al.
8,872,361 B2	10/2014	Jansch et al.
D729,736 S	5/2015	Matthews et al.
D760,652 S *	7/2016	Schmit D13/112
D763,809 S *	8/2016	Gallo D13/184
9,474,185 B2 *	10/2016	Jochman H05K 7/20145
D778,853 S *	2/2017	Skowranek D13/184
D793,338 S *	8/2017	Zheng D13/102

(Continued)

Related U.S. Application Data

- (62) Division of application No. 29/516,977, filed on Feb. 9, 2015, now Pat. No. Des. 761,731, which is a division of application No. 29/476,956, filed on Dec. 18, 2013, now Pat. No. Des. 729,736.
- (51) **LOC (11) Cl.** **13-01**
- (52) **U.S. Cl.**
USPC **D13/112; D13/122**
- (58) **Field of Classification Search**
USPC 123/2, 3; 290/1 A, 1 B, 1 R; 310/89;
322/100; 361/730, 836; D13/101,
D13/110-116, 118, 122, 184, 199;
D23/111, 351, 395
CPC F02B 63/04
See application file for complete search history.

References Cited

U.S. PATENT DOCUMENTS

D249,788 S	10/1978	Nanjo
4,136,432 A	1/1979	Melley, Jr.
D266,235 S	9/1982	Hughes

Primary Examiner — Derrick Holland

Assistant Examiner — Jennifer O King

(74) *Attorney, Agent, or Firm* — Foley & Lardner LLP

(57) **CLAIM**

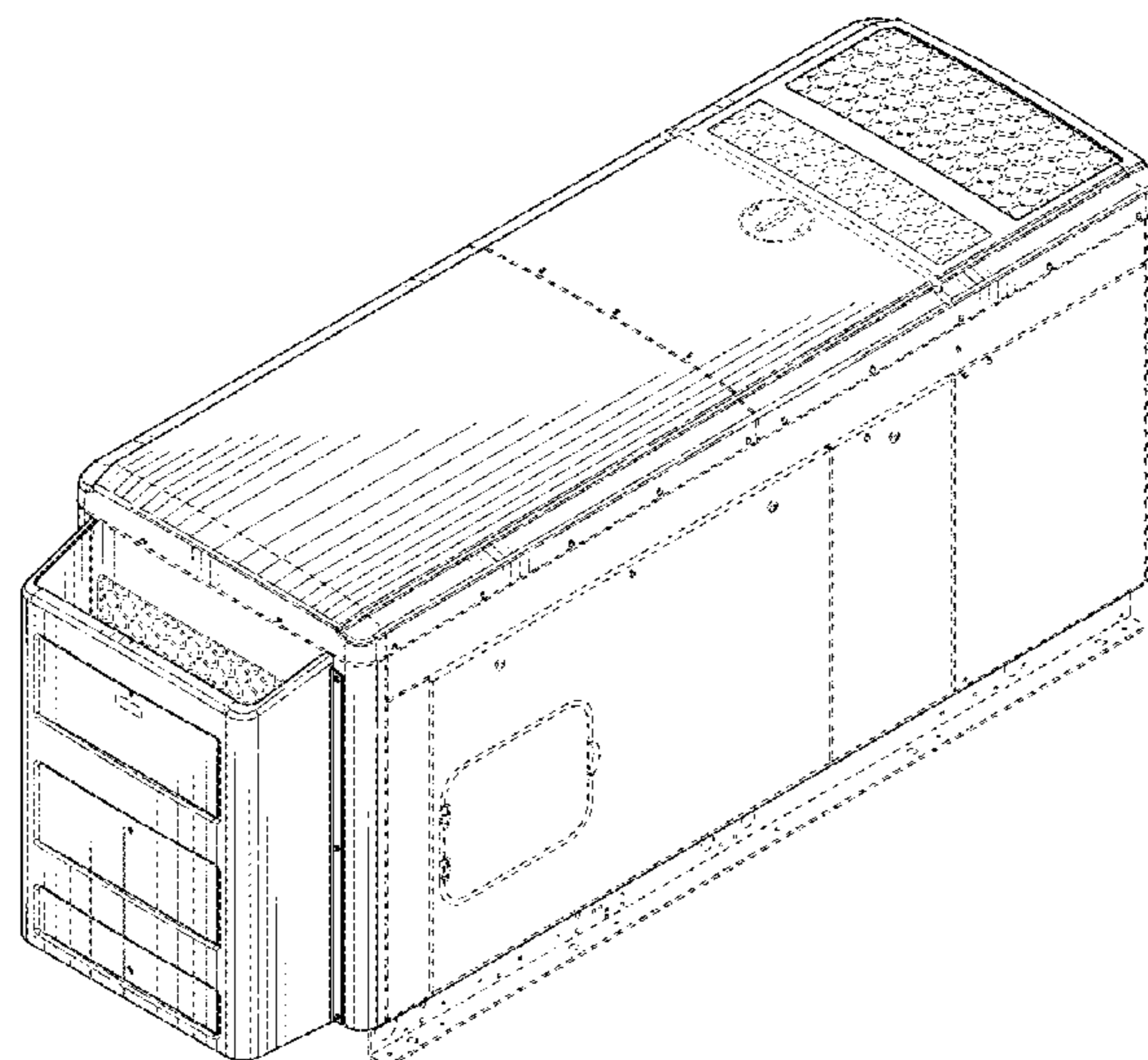
We claim the ornamental design for a genset enclosure, as shown and described.

DESCRIPTION

FIG. 1 is a front isometric view of a genset enclosure; FIG. 2 is a front elevational view thereof; FIG. 3 is a rear elevational view thereof; FIG. 4 is a left elevational view thereof; FIG. 5 is a right elevational view thereof; FIG. 6 is a top plan view thereof; and, FIG. 7 is a rear isometric view thereof.

The bottom of the genset enclosure in each embodiment is unornamented and forms no part of the claimed design. The broken lines show unclaimed portions of the genset enclosure and form no part of the claimed design.

1 Claim, 6 Drawing Sheets



(56)

References Cited

U.S. PATENT DOCUMENTS

D794,563 S * 8/2017 Matta D13/114
D801,924 S * 11/2017 Priem D13/112
D806,030 S * 12/2017 Pfefferkorn D13/112
2013/0187392 A1 7/2013 Janscha et al.
2014/0117675 A1 5/2014 Knight et al.
2015/0181735 A1 6/2015 Wilson et al.

* cited by examiner

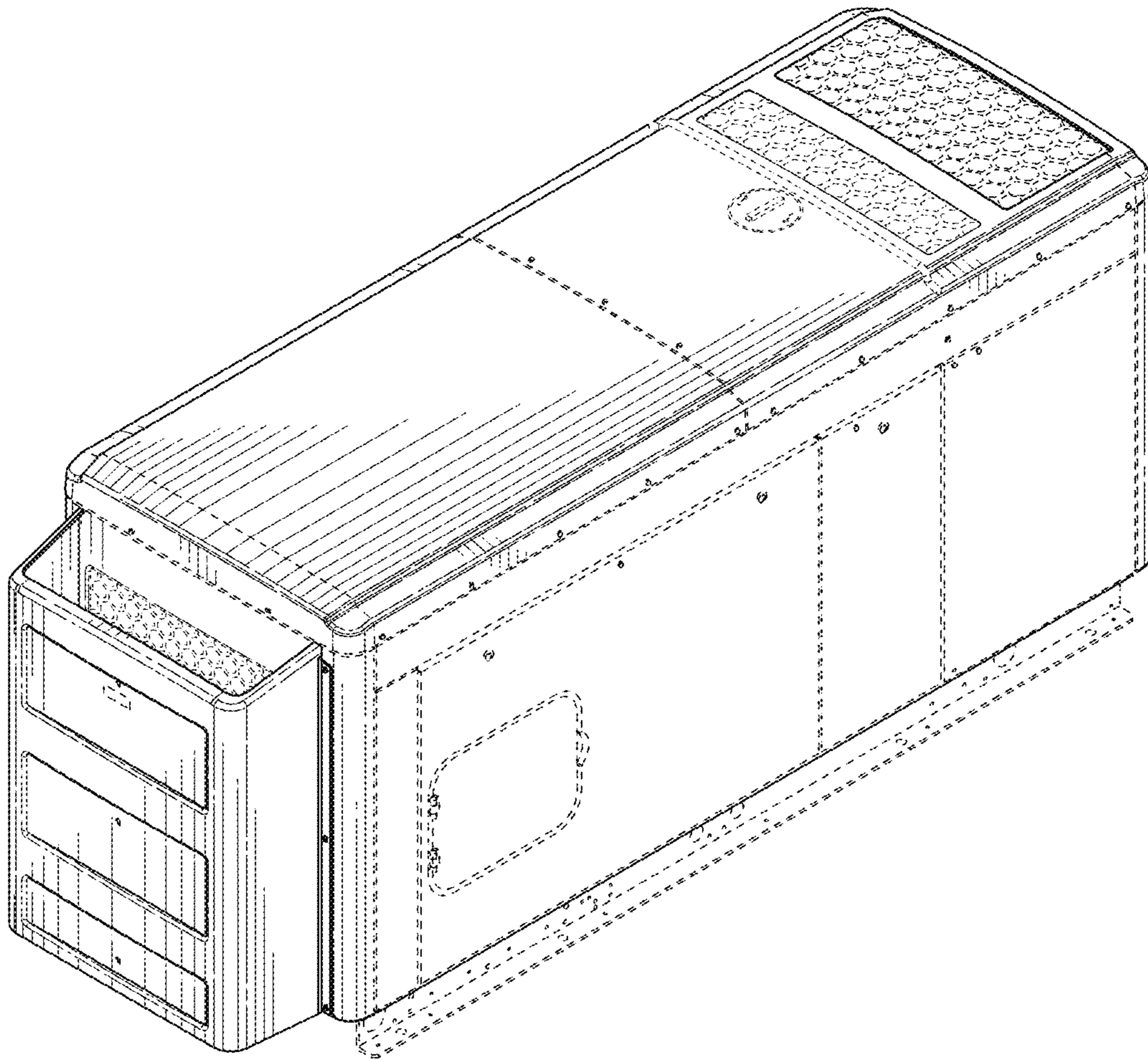


FIG. 1

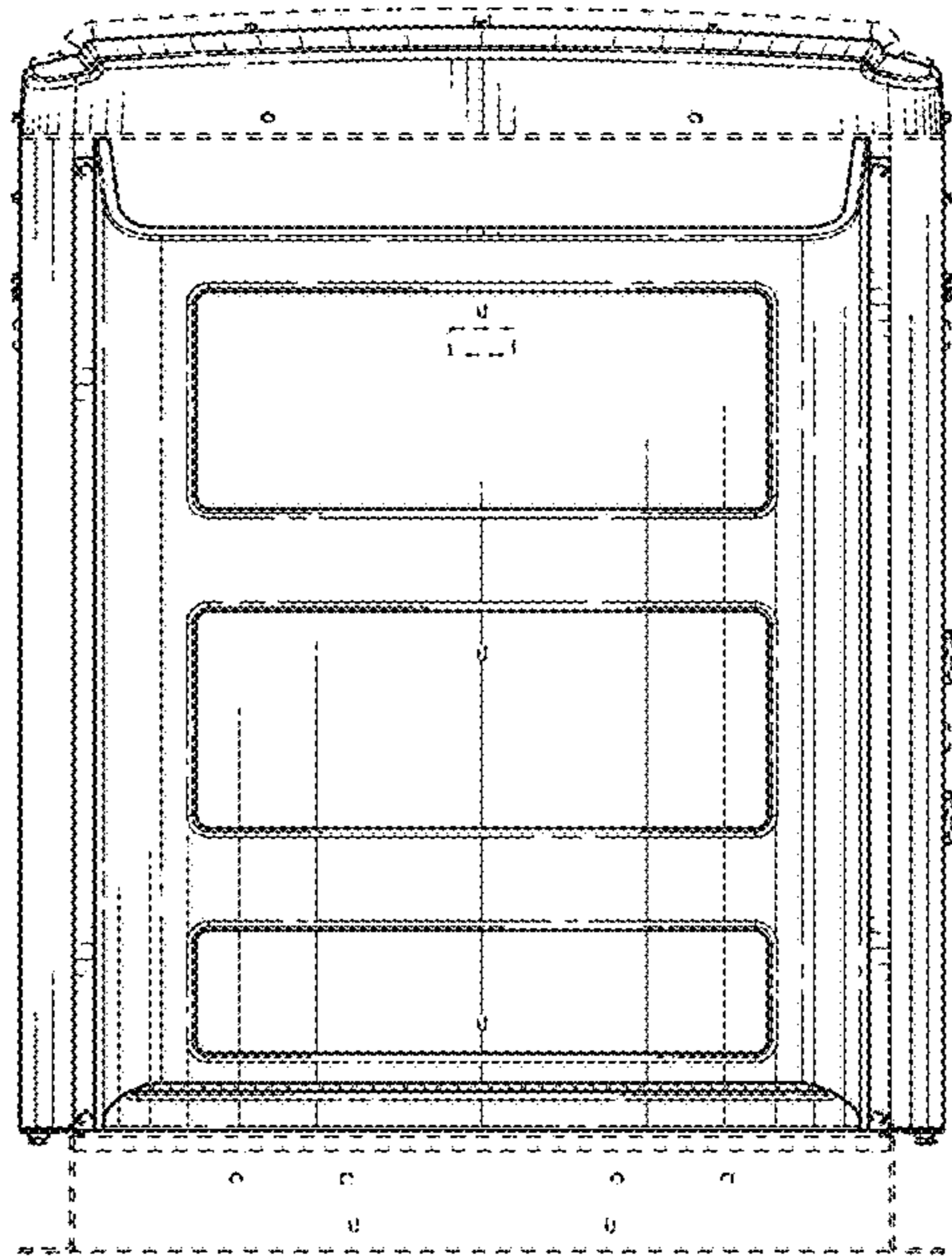


FIG. 2

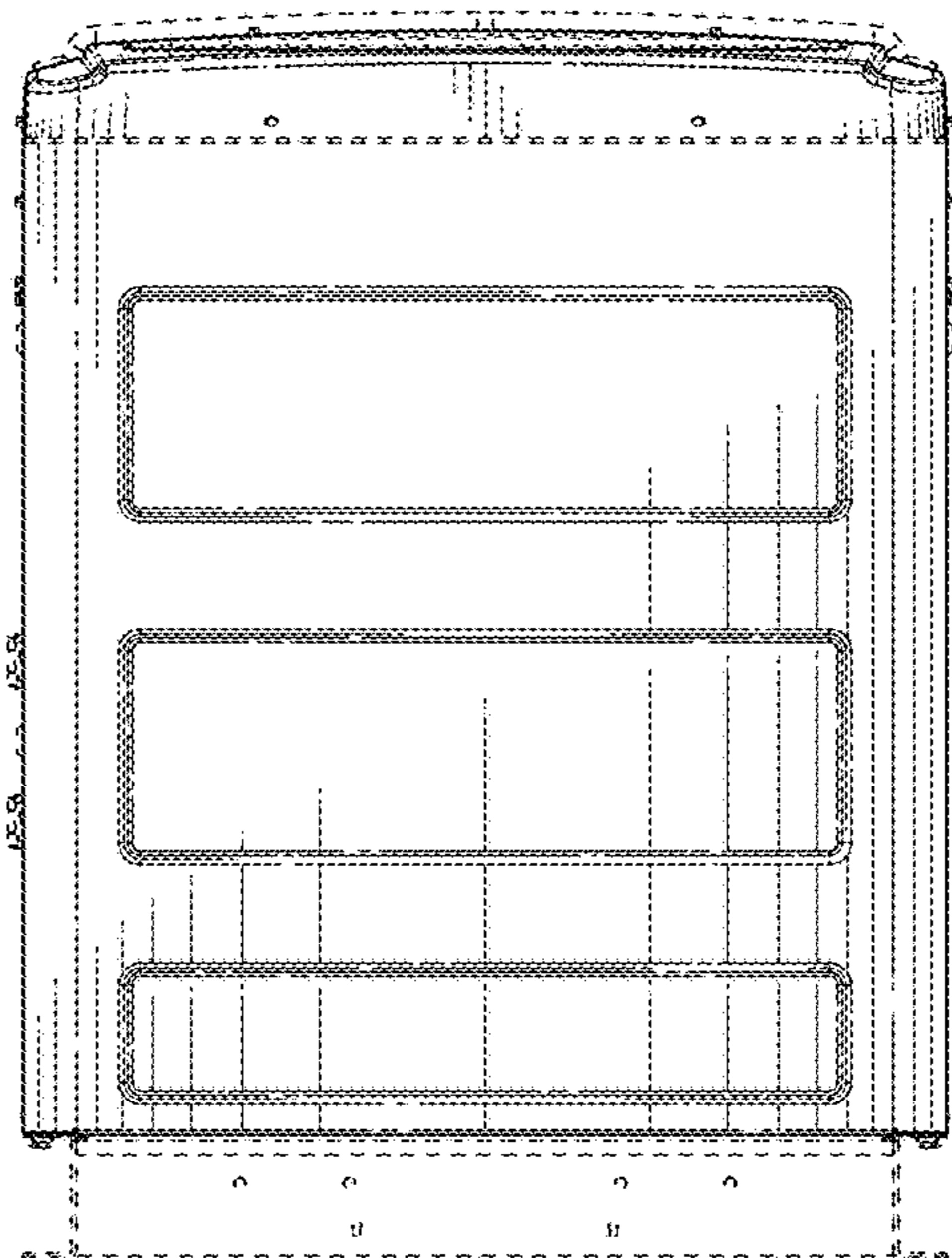


FIG. 3

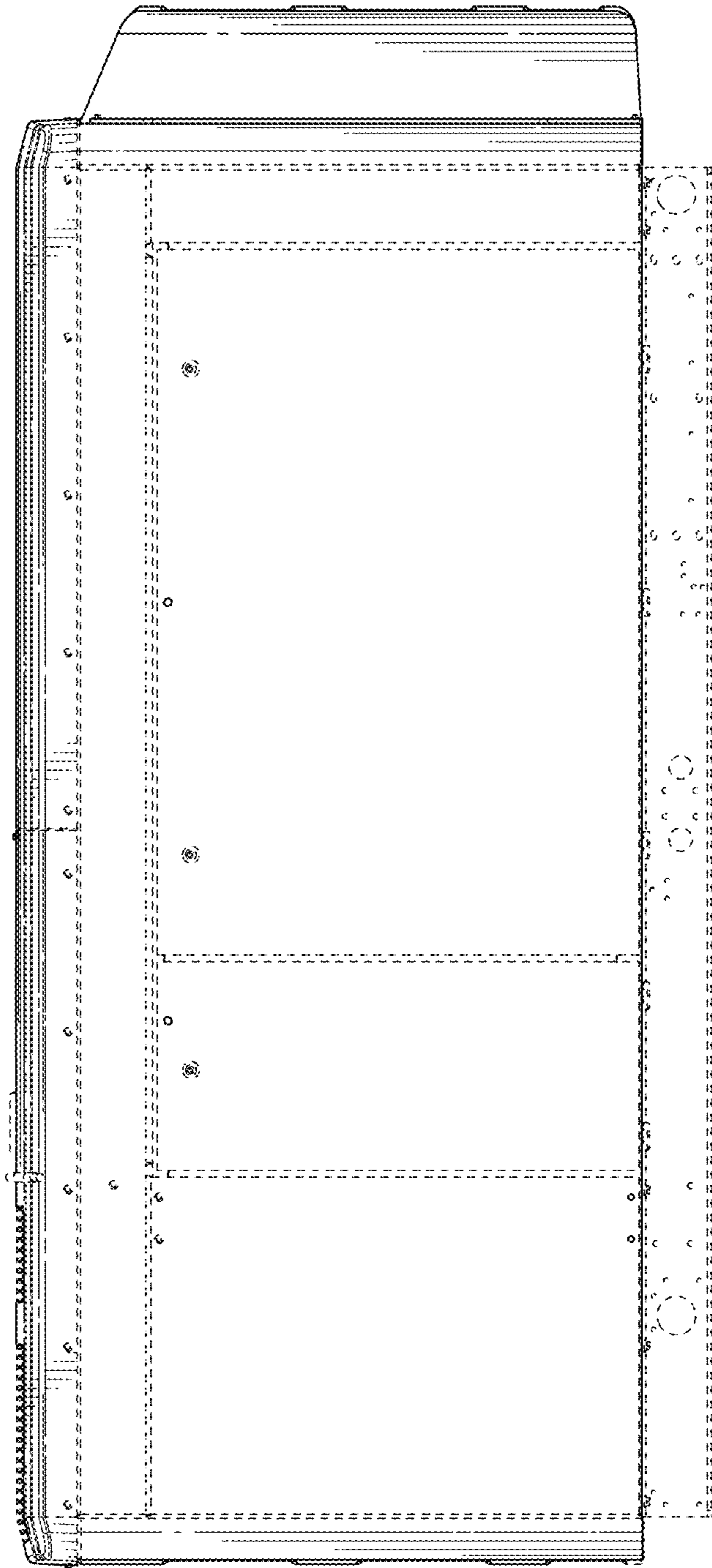


FIG. 4

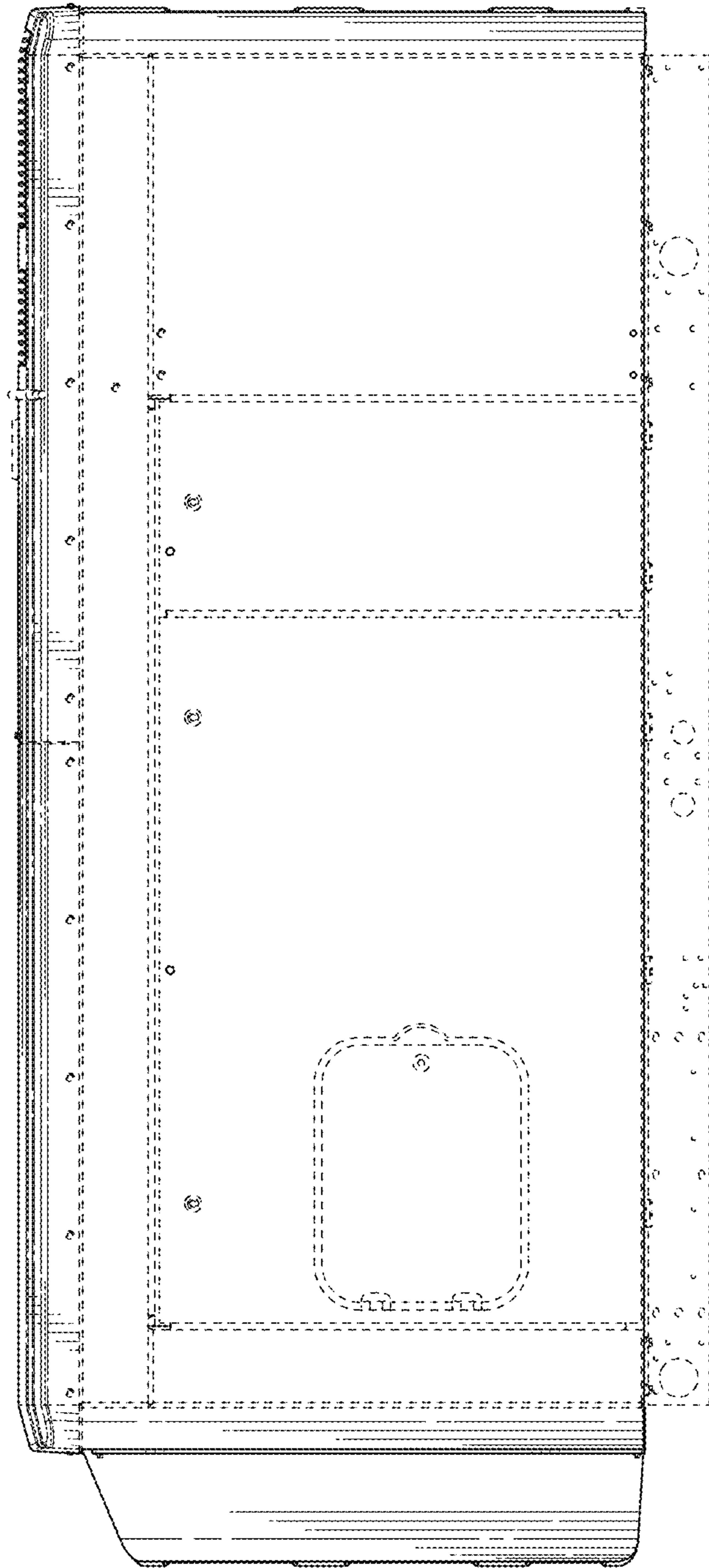


FIG. 5

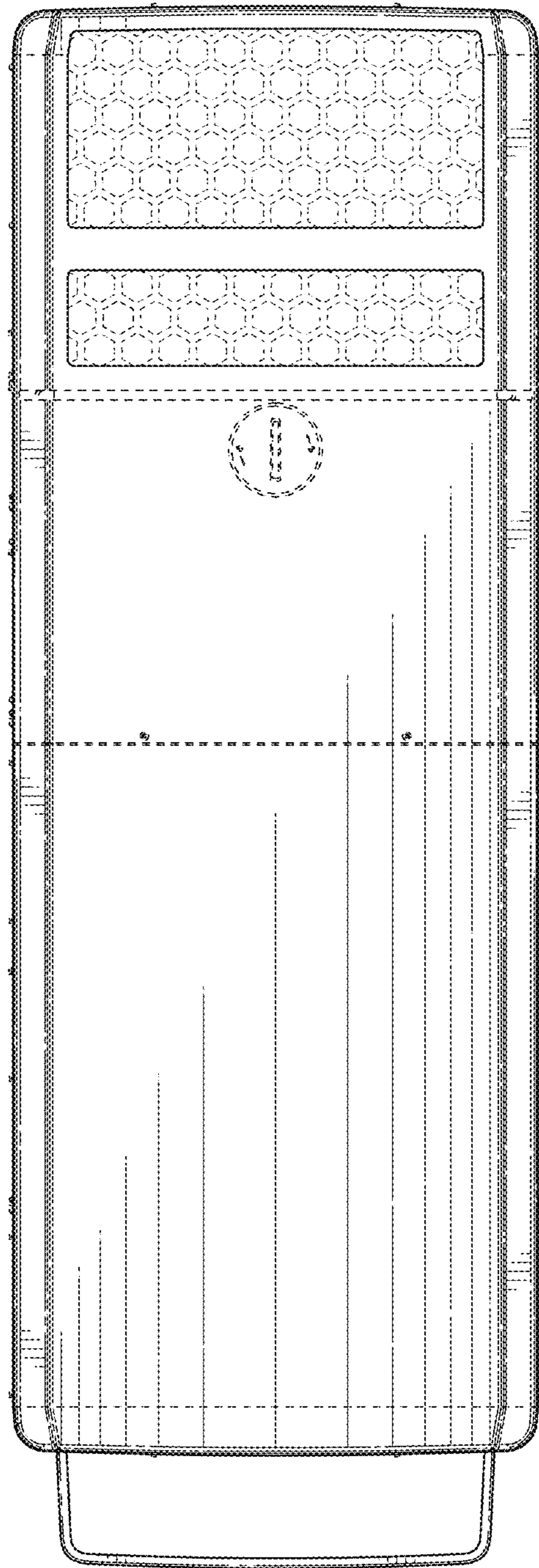


FIG. 6

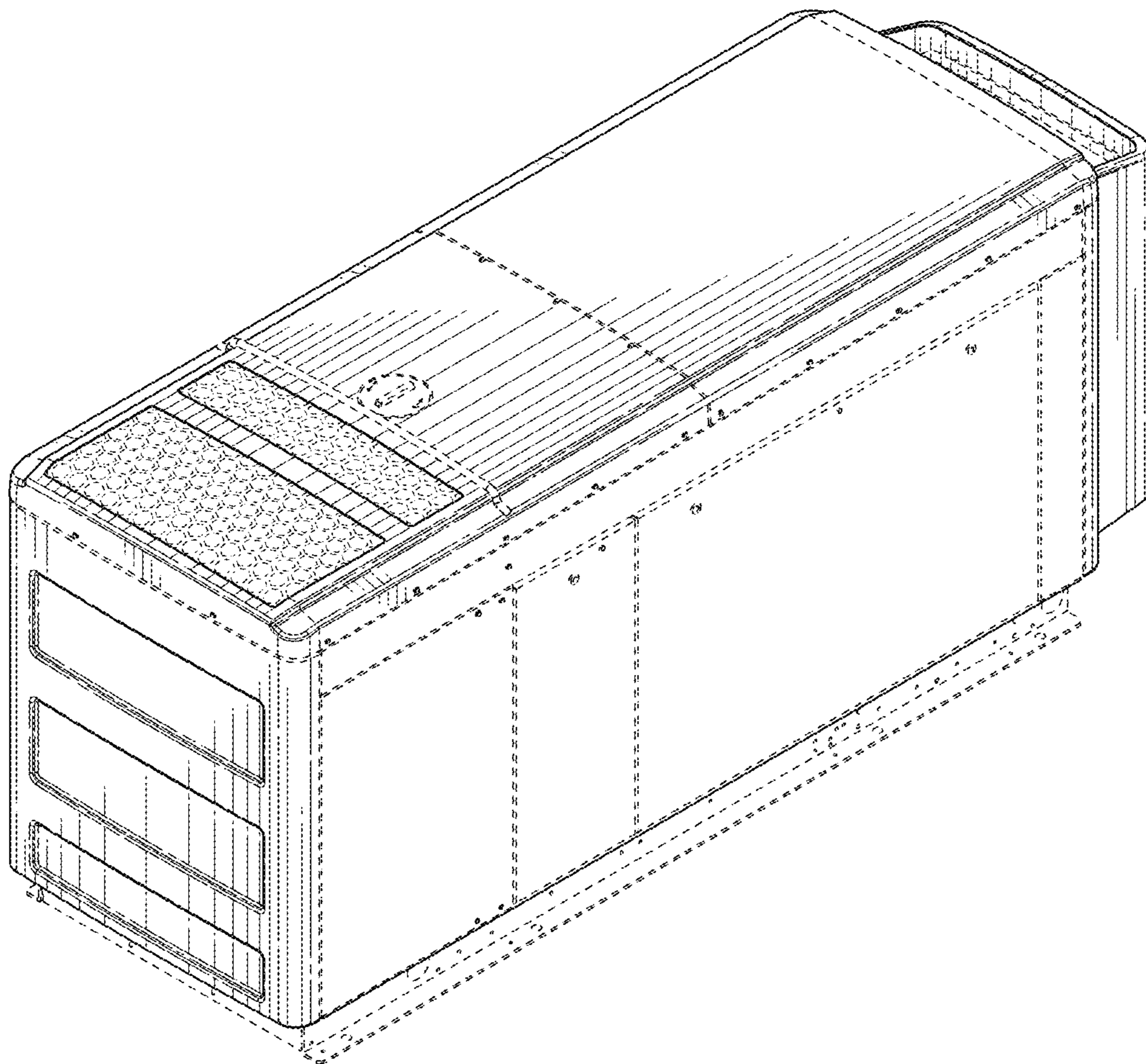


FIG. 7