



US00D818433S

(12) **United States Design Patent**  
**Ebrahimi Afrouzi**

(10) **Patent No.:** **US D818,433 S**  
(45) **Date of Patent:** **\*\* May 22, 2018**

(54) **ROBOT VACUUM CHARGING UNIT**

(71) Applicant: **Ali Ebrahimi Afrouzi**, San Jose, CA  
(US)

(72) Inventor: **Ali Ebrahimi Afrouzi**, San Jose, CA  
(US)

(73) Assignee: **AI Incorporated**, Toronto (CA)

(\*\*) Term: **15 Years**

(21) Appl. No.: **29/595,860**

(22) Filed: **Mar. 2, 2017**

(51) **LOC (11) Cl.** ..... **13-02**

(52) **U.S. Cl.**  
USPC ..... **D13/108**

(58) **Field of Classification Search**  
USPC ..... D13/107–110, 118–119, 184, 199;  
D14/251, 253, 432, 434  
CPC ..... Y02E 60/12; Y02T 90/14; Y02T 90/122;  
Y02T 90/128; Y02T 90/163; H02J 7/025;  
H02J 7/0042; H02J 7/0044; H02J 7/0045;  
H02J 7/0003; H01F 38/14; H01R  
13/6675; H01M 2/1022; H01M 2/1055;  
H01M 10/44; H01M 10/46; H01M  
10/425; B60L 11/182  
See application file for complete search history.

(56) **References Cited**

**U.S. PATENT DOCUMENTS**

D474,735 S \* 5/2003 Lee ..... D13/108  
D510,066 S \* 9/2005 Hickey ..... D13/108

D562,230 S \* 2/2008 Houghton ..... D13/107  
D588,059 S \* 3/2009 Fujita ..... D13/108  
D639,237 S \* 6/2011 Lee ..... D13/108  
D639,735 S \* 6/2011 Lee ..... D13/108  
D642,121 S \* 7/2011 Lee ..... D13/108  
D675,154 S \* 1/2013 Nam ..... D13/108  
D697,476 S \* 1/2014 Jeong ..... D13/108  
D698,310 S \* 1/2014 Yun ..... D13/108  
D782,412 S \* 3/2017 Kim ..... D13/108  
D782,975 S \* 4/2017 Chen ..... D13/108  
D804,414 S \* 12/2017 Tang ..... D13/108

\* cited by examiner

*Primary Examiner* — Rosemary K Tarcza

(57) **CLAIM**

The ornamental design for a robot vacuum charging unit, as shown and described.

**DESCRIPTION**

FIG. 1 is a perspective view of a robot vacuum charging unit showing our new design;  
FIG. 2 is a left side elevation view thereof, the right side being a mirror image;  
FIG. 3 is a front view thereof;  
FIG. 4 is a top view thereof;  
FIG. 5 is a bottom view thereof; and,  
FIG. 6 is a rear view thereof.

**1 Claim, 6 Drawing Sheets**

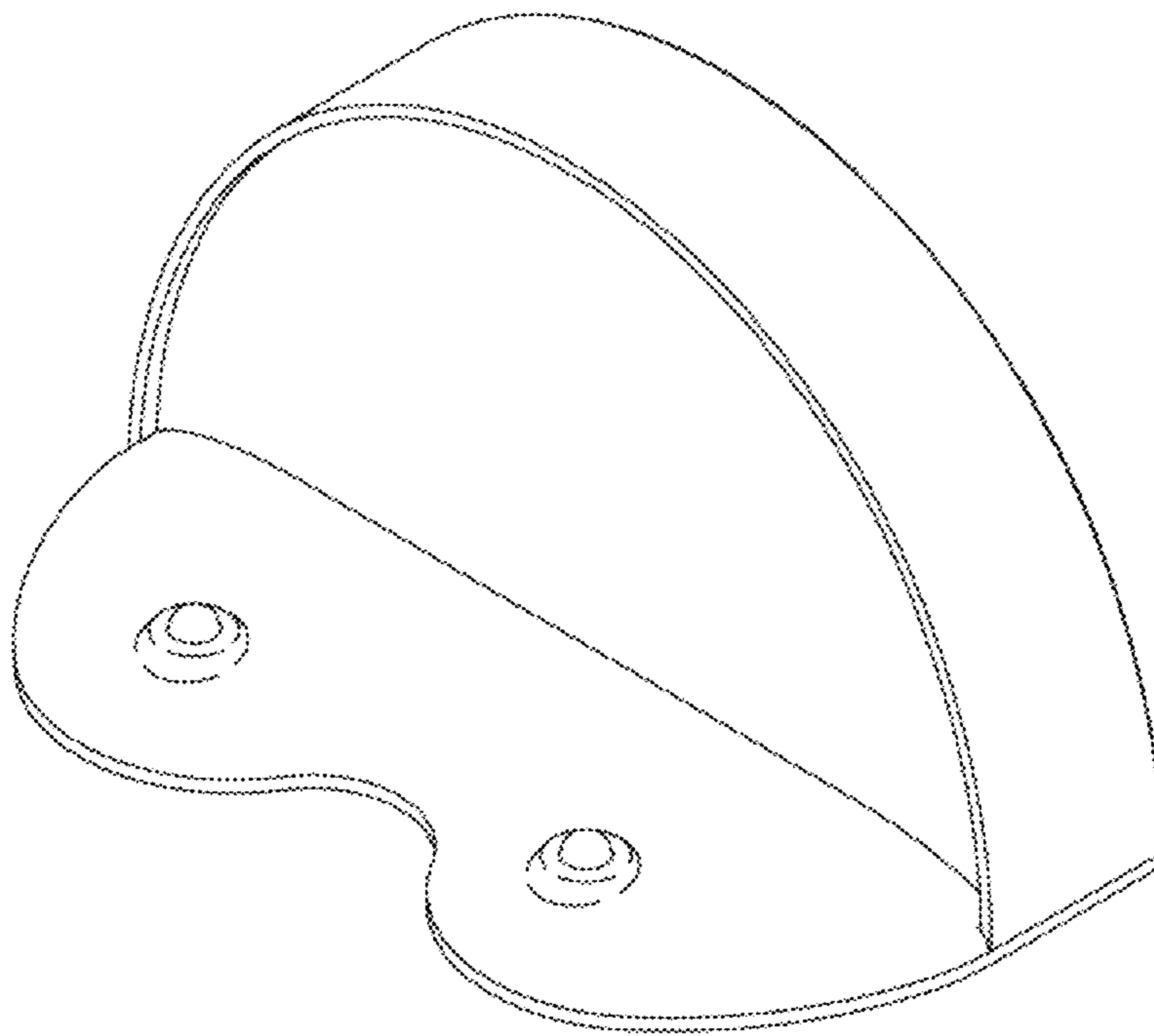


FIG. 1

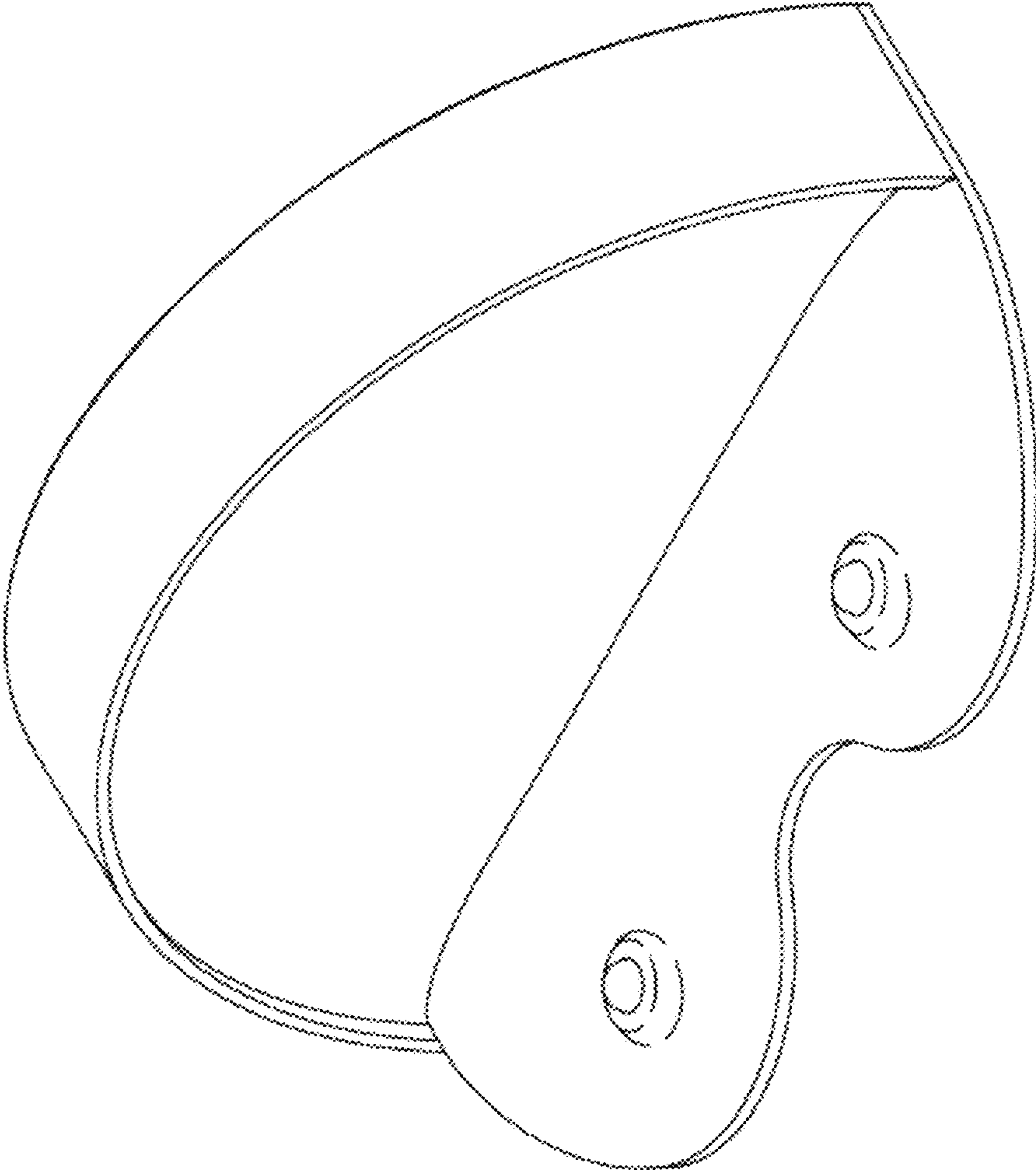


FIG. 2

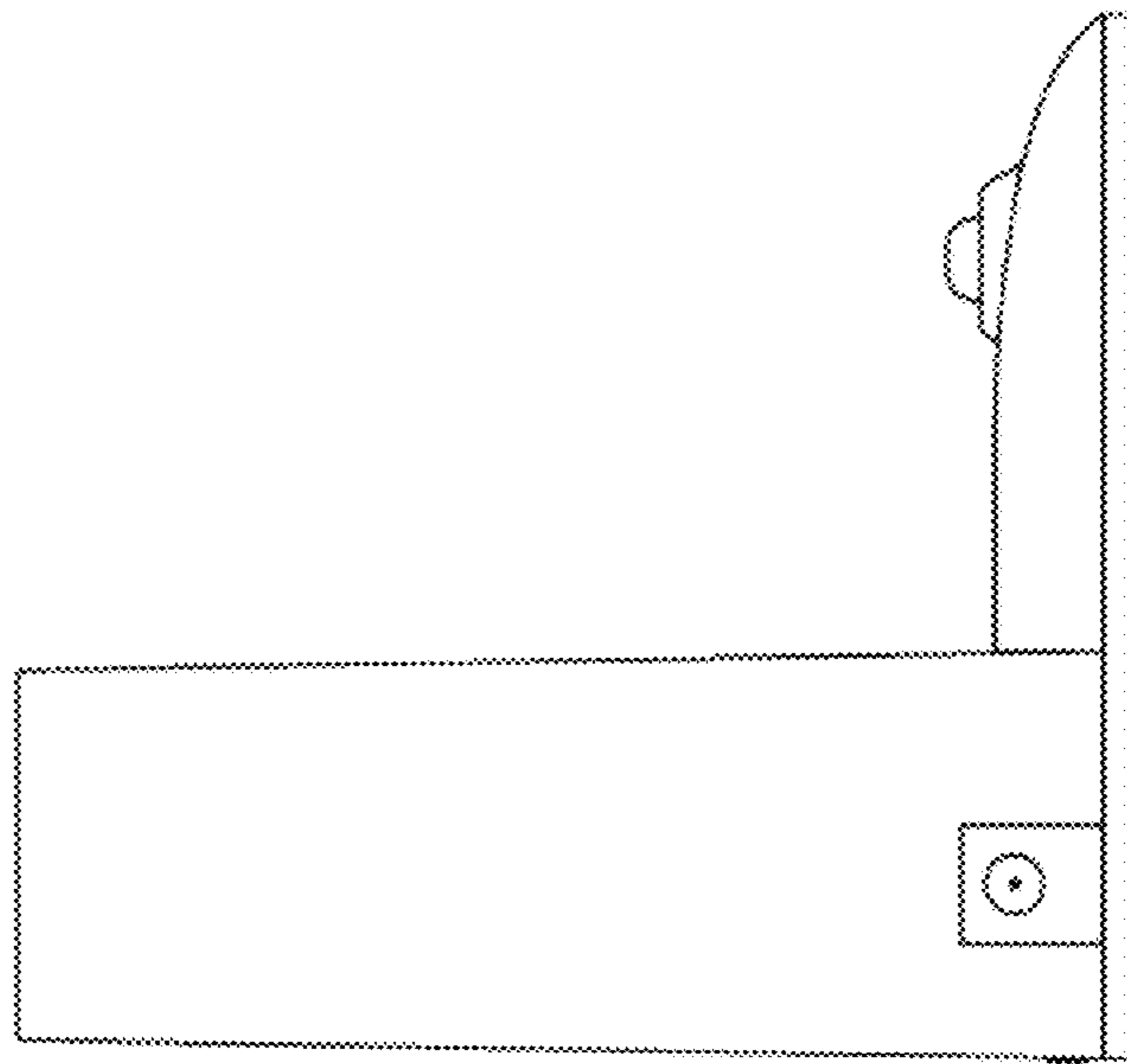


FIG. 3

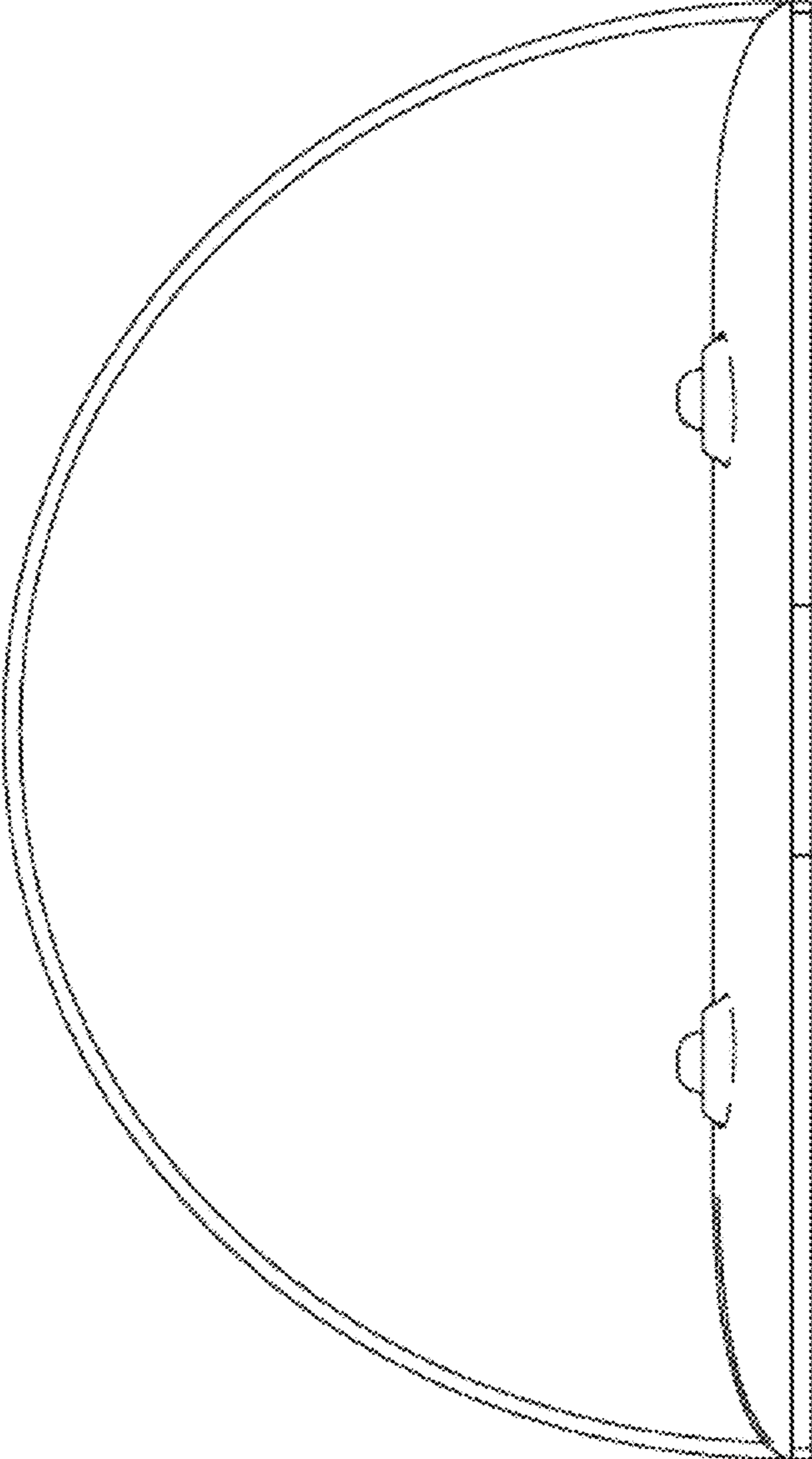


FIG. 4

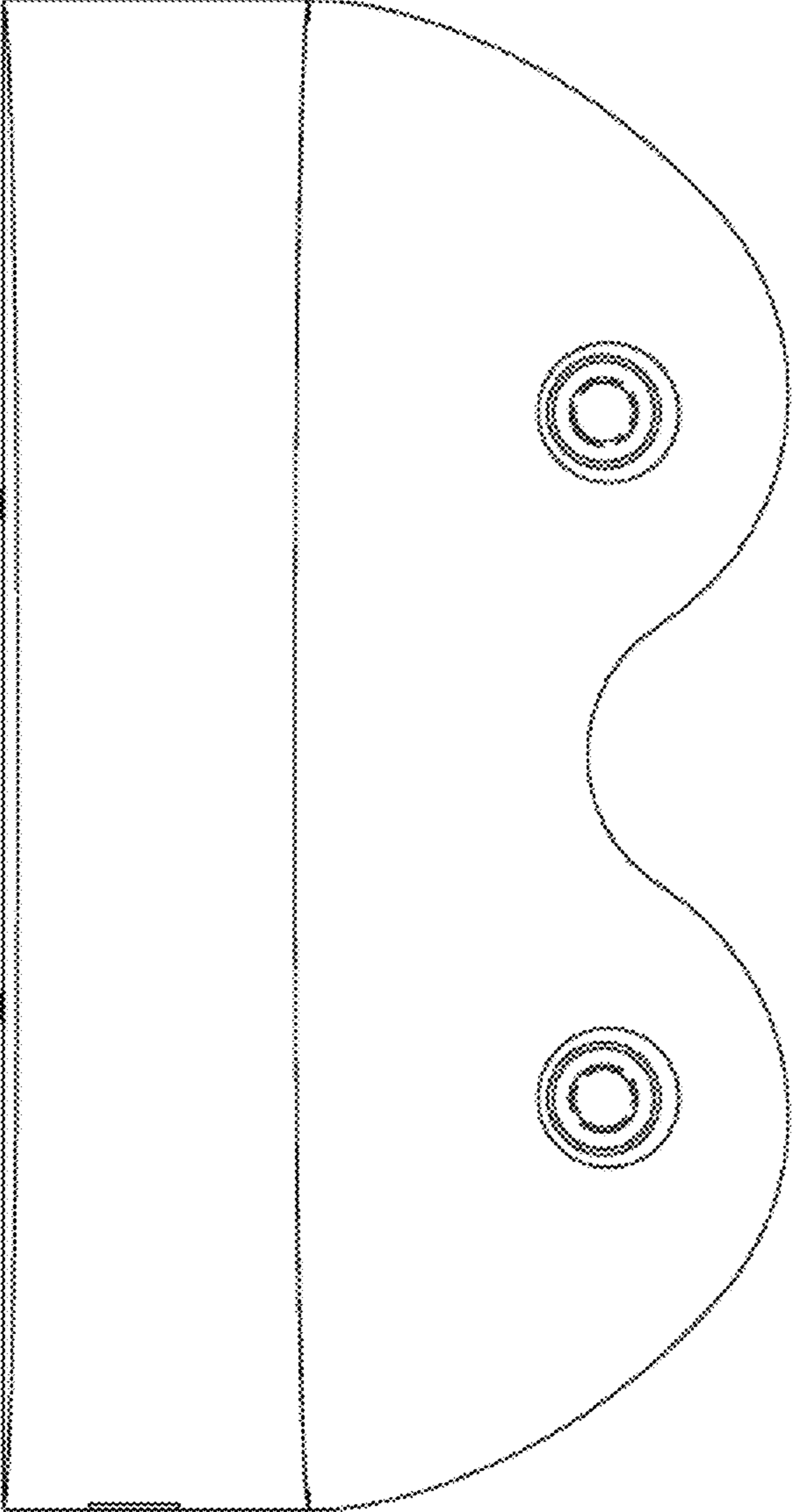


FIG. 5

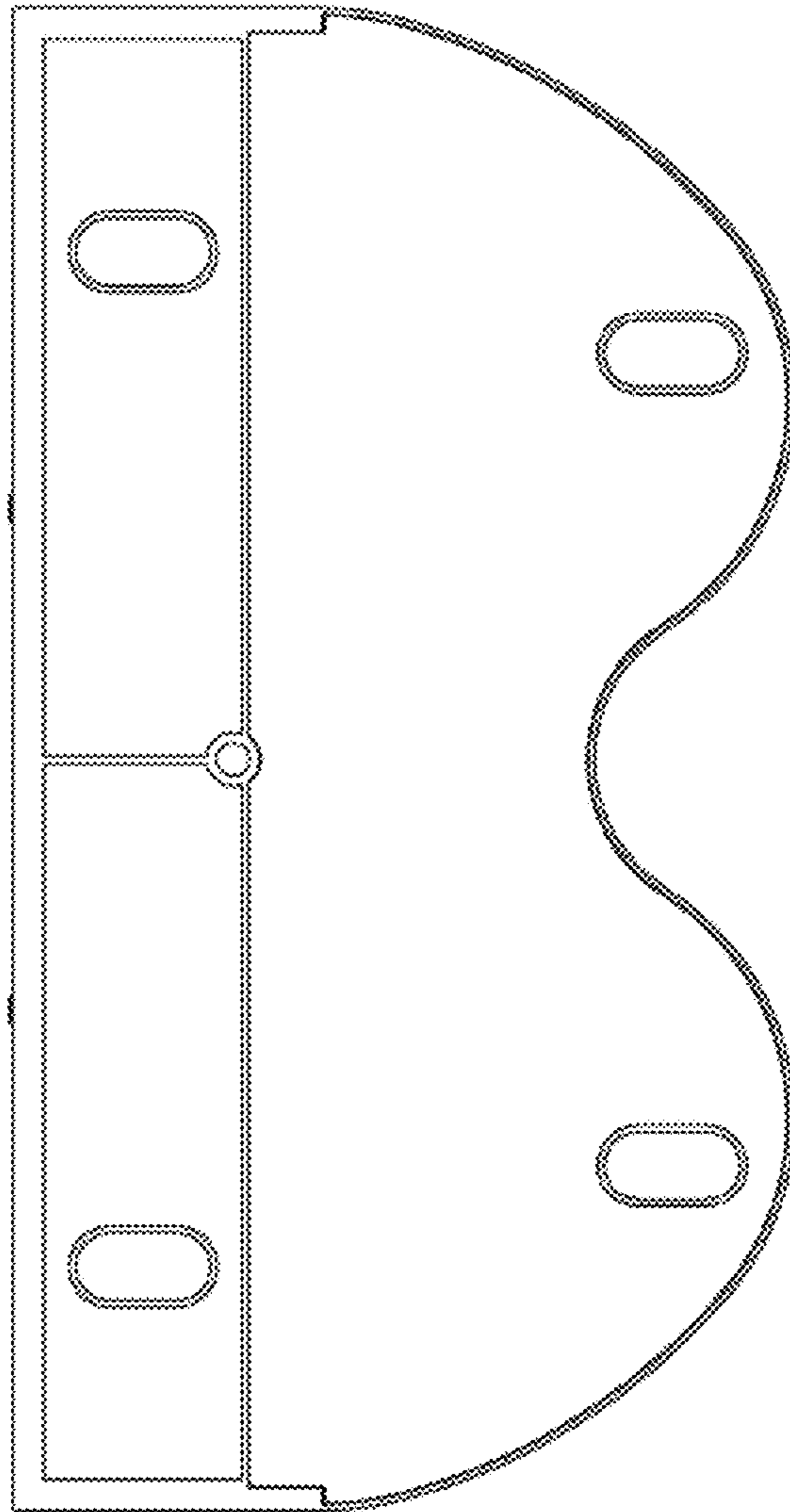


FIG. 6

