



US00D818432S

(12) **United States Design Patent**
Zhu

(10) **Patent No.:** **US D818,432 S**
(45) **Date of Patent:** **** May 22, 2018**

- (54) **CHARGING STATION**
- (71) Applicant: **Yong Hong Zhu**, Nanchang (CN)
- (72) Inventor: **Yong Hong Zhu**, Nanchang (CN)
- (**) Term: **15 Years**
- (21) Appl. No.: **29/593,171**
- (22) Filed: **Feb. 7, 2017**
- (51) **LOC (11) Cl.** **13-02**
- (52) **U.S. Cl.**
USPC **D13/108**
- (58) **Field of Classification Search**
USPC D13/107–110, 118–119, 184; D14/251,
D14/253, 432, 434
CPC Y02E 60/12; Y02T 90/14; Y02T 90/122;
Y02T 90/128; Y02T 90/163; H02J 7/025;
H02J 7/0042; H02J 7/0044; H02J 7/0045;
H02J 7/0003; H01F 38/14; H01R
13/6675; H01M 2/1022; H01M 2/1055;
H01M 10/44; H01M 10/46; H01M
10/425; B60L 11/182
See application file for complete search history.

- (56) **References Cited**
U.S. PATENT DOCUMENTS
4,004,501 A * 1/1977 Guerrero A21C 15/02
220/23.8
D246,491 S * 11/1977 D'Alo D6/682.4

- 4,684,027 A * 8/1987 Wright G11B 23/027
211/40
- D433,251 S * 11/2000 Blazeovich D6/629
- D499,607 S * 12/2004 Lyon D7/504
- D552,378 S * 10/2007 Hussaini D6/682
- D554,929 S * 11/2007 Jajdelski D6/407
- D642,124 S * 7/2011 Budike, Jr. D13/108
- D660,650 S * 5/2012 Moore D7/553.2
- D669,430 S * 10/2012 Budike D13/108
- D720,166 S * 12/2014 Trindall D6/683.1
- D761,729 S * 7/2016 Leong D13/108
- D778,829 S * 2/2017 Marmus D13/108

* cited by examiner

Primary Examiner — Rosemary K Tarcza
Assistant Examiner — Nathaniel D. Buckner

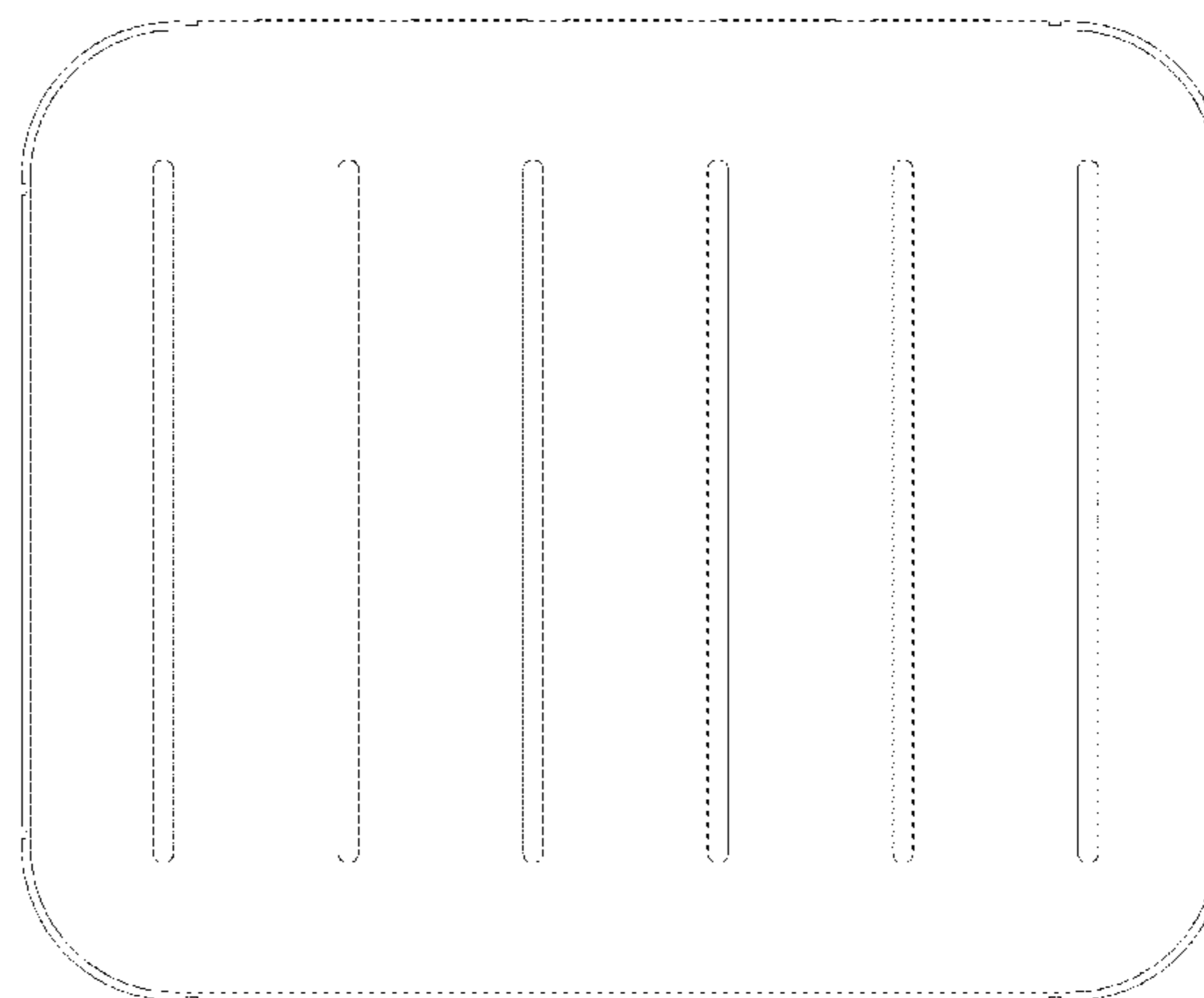
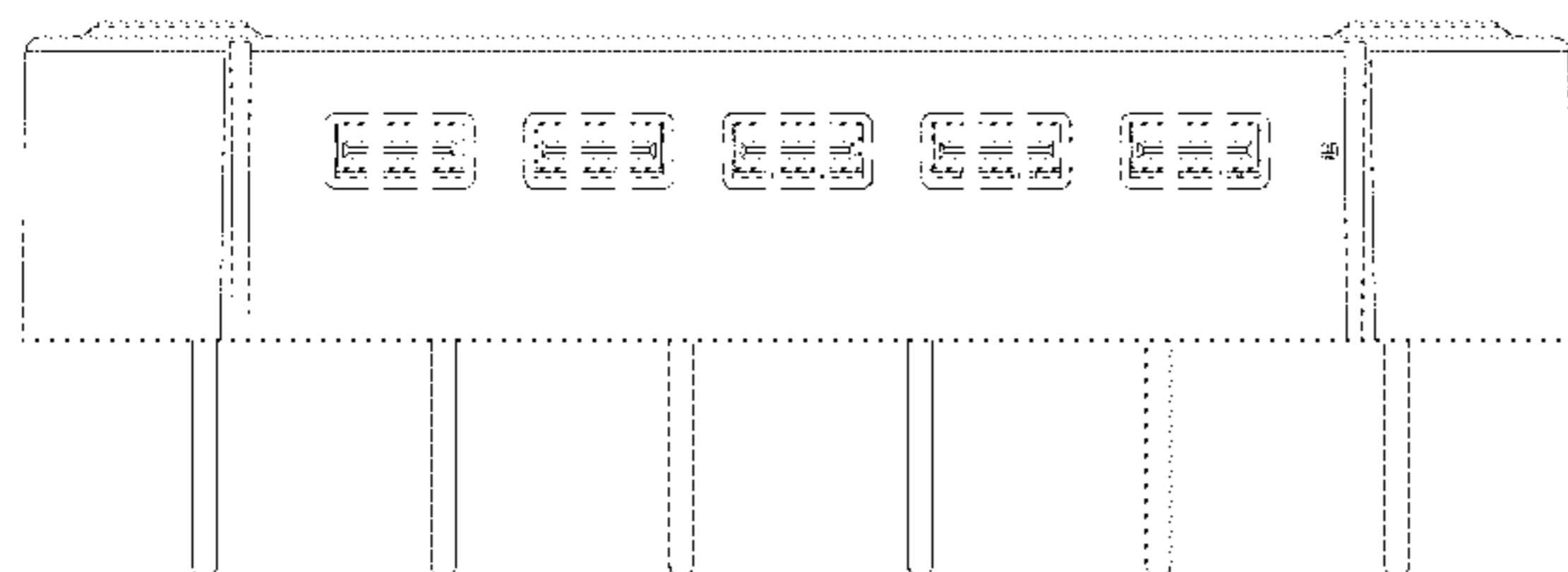
(57) **CLAIM**

The ornamental design for a charging station, as shown and described.

DESCRIPTION

FIG. 1 is a perspective view of a charging station showing my new design;
FIG. 2 is a front elevational view thereof;
FIG. 3 is a top elevational view thereof;
FIG. 4 is a left side elevational view thereof;
FIG. 5 is a rear side elevational view thereof;
FIG. 6 is a right plan view thereof; and,
FIG. 7 is a bottom plan view thereof.
The broken lines in the figures represent portions of the article which form no part of the claimed design.

1 Claim, 7 Drawing Sheets



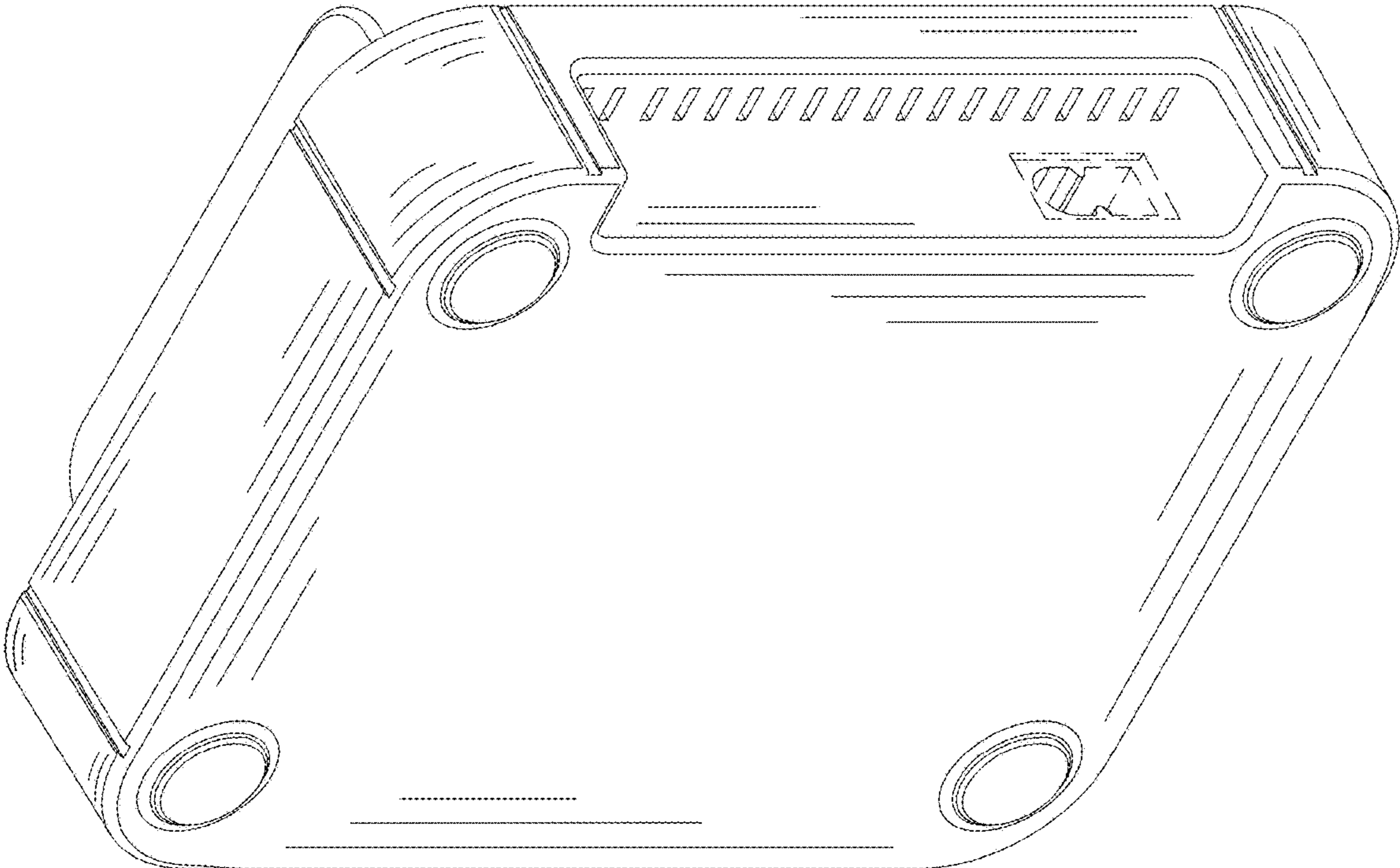


FIG. 1

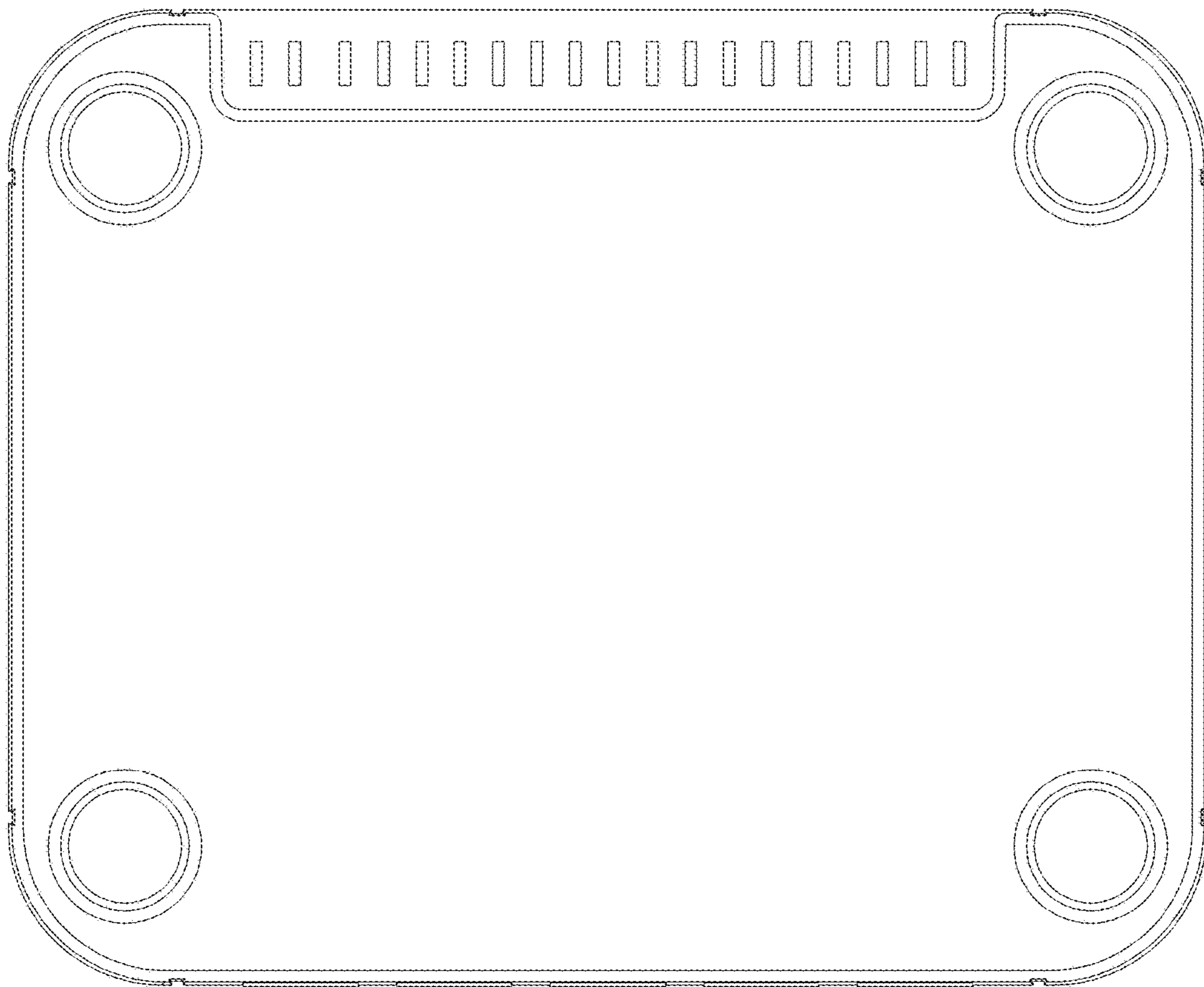


FIG. 2

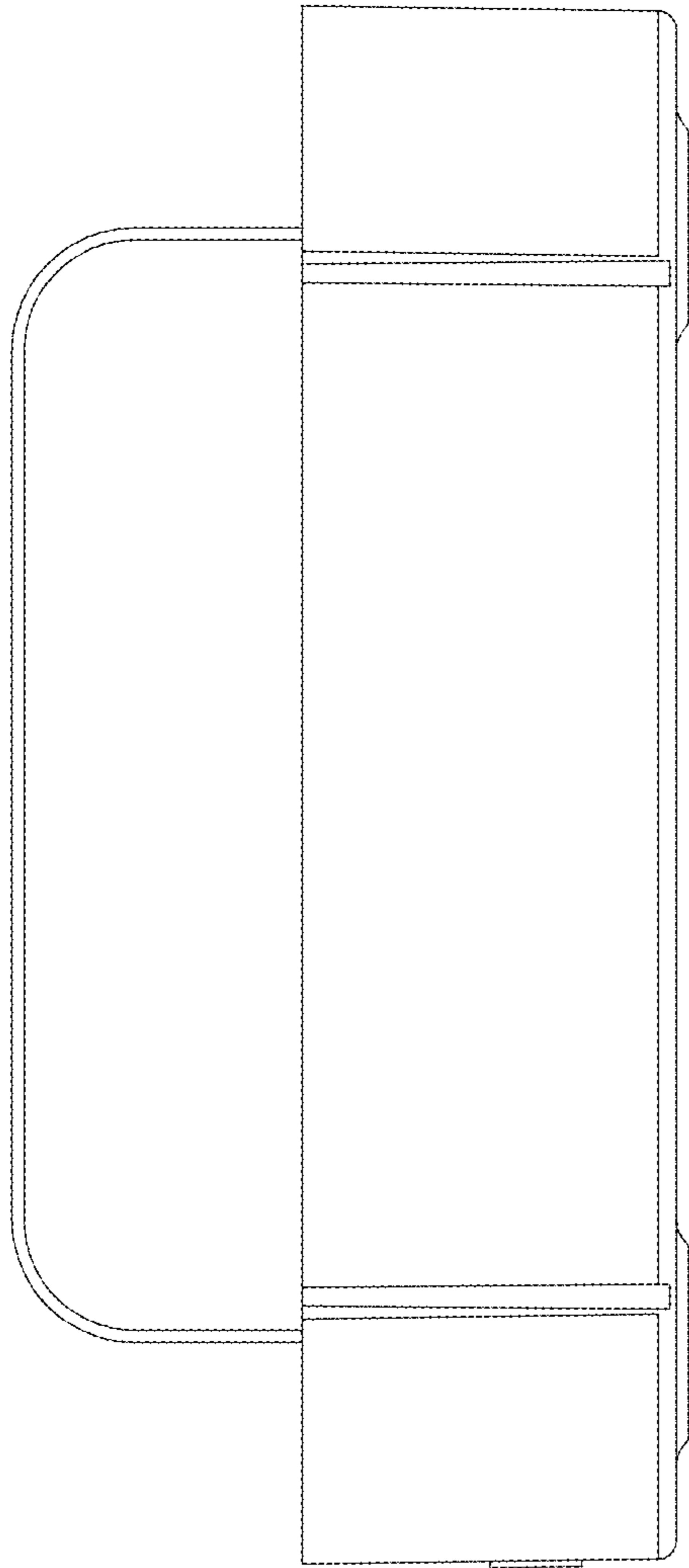


FIG. 3

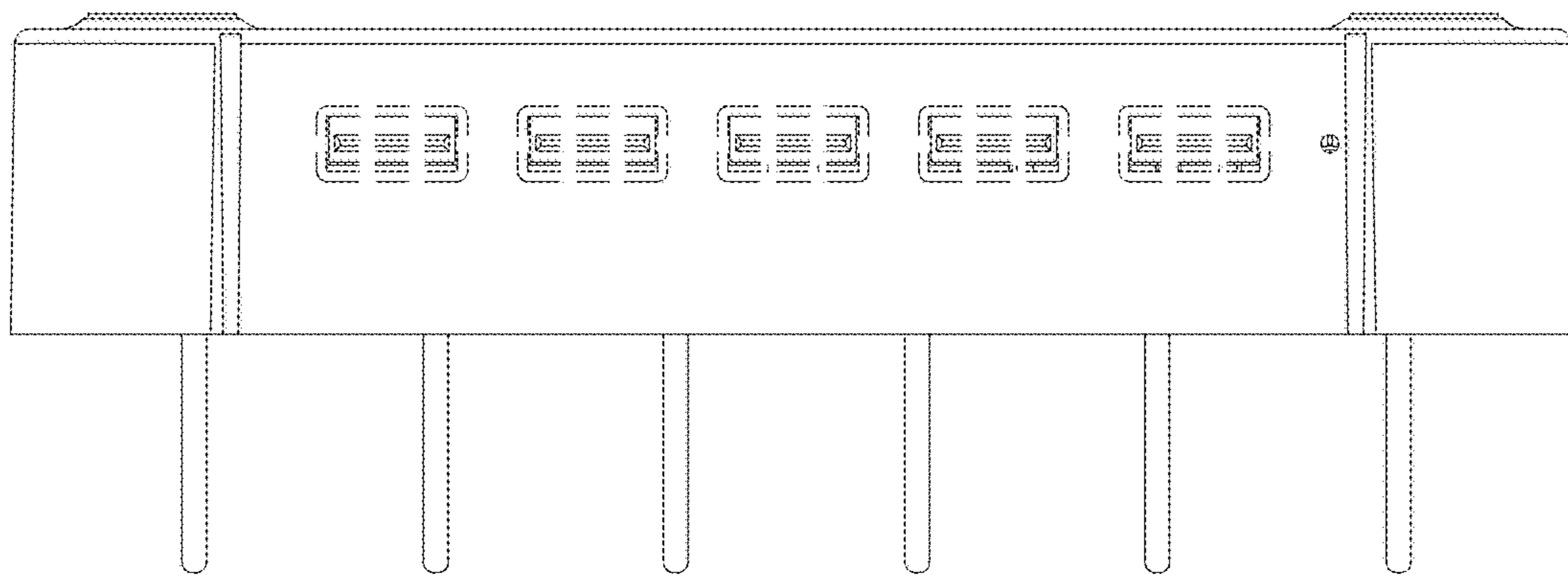


FIG. 4

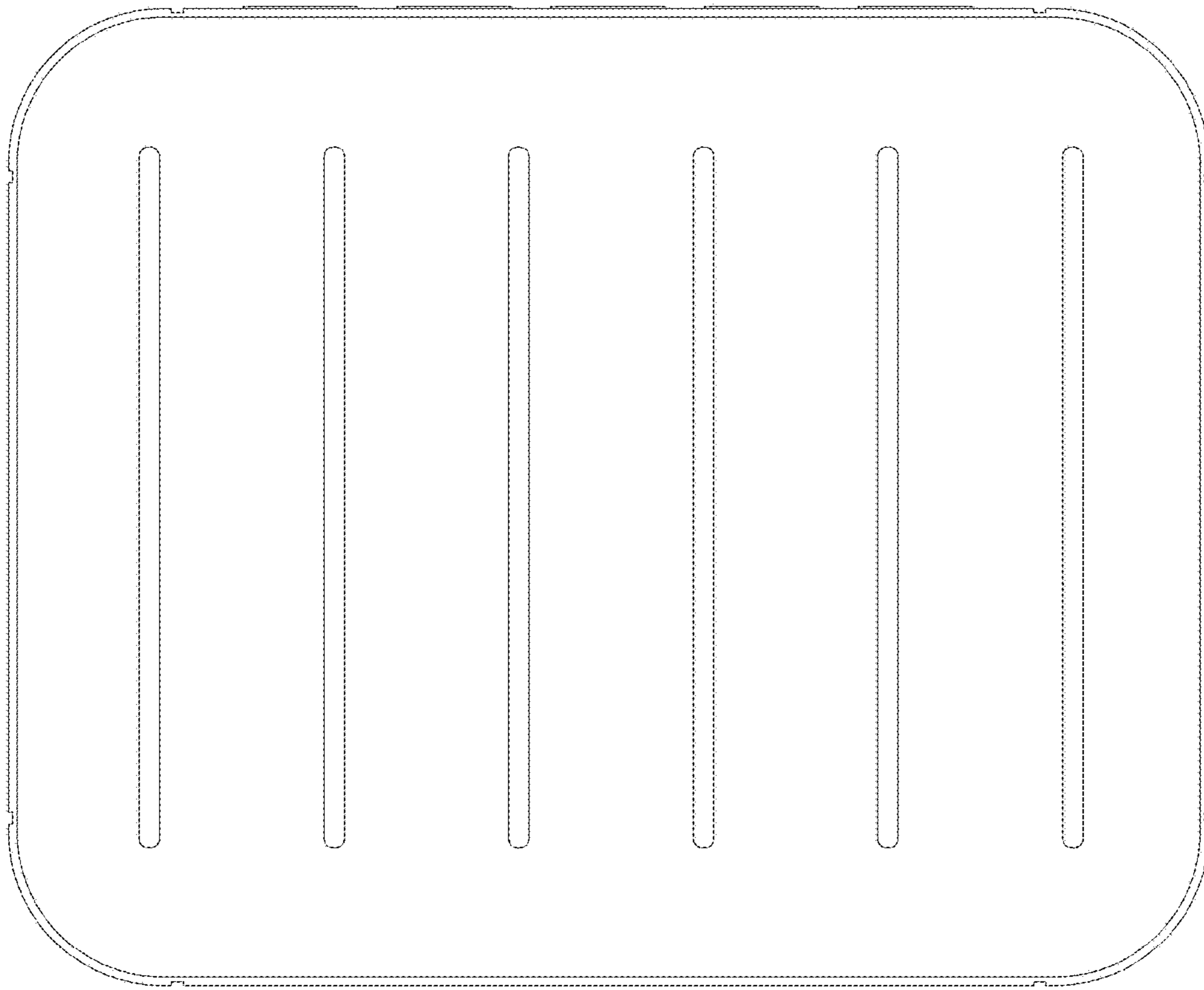


FIG. 5

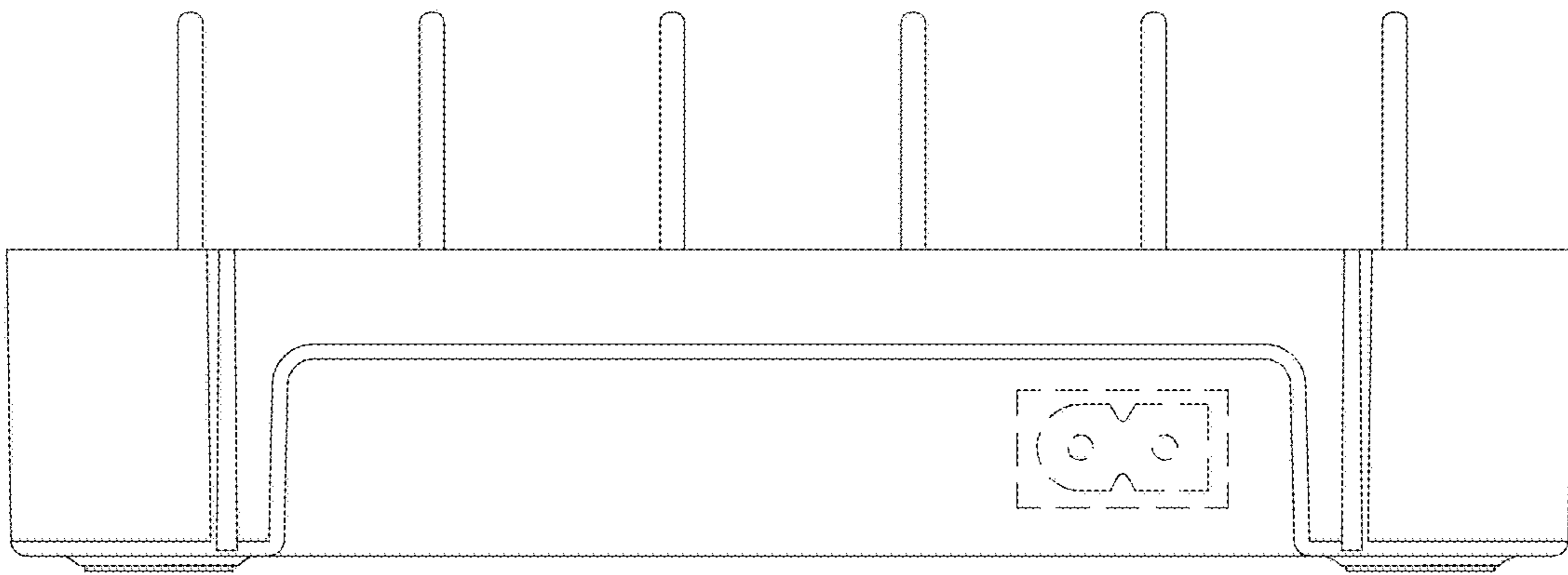


FIG. 6

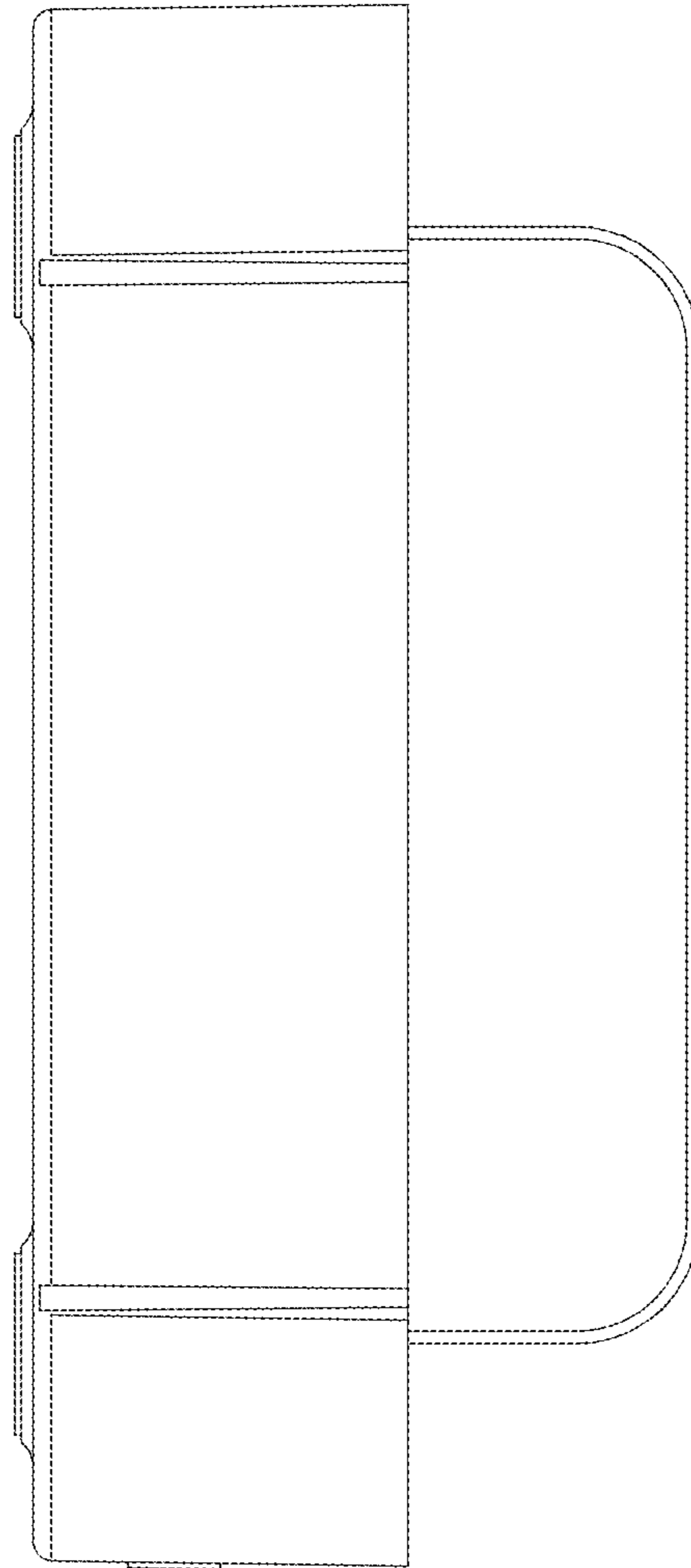


FIG. 7