



US00D818431S

(12) **United States Design Patent** (10) **Patent No.:** **US D818,431 S**
Badie (45) **Date of Patent:** **** May 22, 2018**

(54) **BATTERY CHARGER**
(71) Applicant: **THALES DEFENSE & SECURITY, INC.**, Clarksburg, MD (US)
(72) Inventor: **Mehrdad Badie**, Gaithersburg, MD (US)
(73) Assignee: **THALES DEFENSE & SECURITY, INC.**, Clarksburg, MD (US)
(**) Term: **15 Years**

(21) Appl. No.: **29/566,084**
(22) Filed: **May 26, 2016**
(51) **LOC (11) Cl.** **13-02**
(52) **U.S. Cl.**
USPC **D13/107**
(58) **Field of Classification Search**
USPC D13/102–106, 110, 118–119, 184, 107,
D13/108; D14/251, 253, 432, 434
CPC Y02E 60/12; Y02T 90/14; Y02T 90/122;
Y02T 90/128; Y02T 90/163; H02J 7/025;
H02J 7/0042; H02J 7/0044; H02J 7/0045;
H02J 7/0003; H01F 38/14; H01R
13/6675; H01M 2/1022; H01M 2/1055;
H01M 10/44; H01M 10/46; H01M
10/425; B60L 11/182
See application file for complete search history.

(56) **References Cited**
U.S. PATENT DOCUMENTS
D382,852 S * 8/1997 Takahashi D13/107
D414,159 S * 9/1999 Deslyper D13/103
D516,021 S * 2/2006 Cheng D13/107
D516,502 S * 3/2006 Small D13/103
D594,849 S * 6/2009 Ko D14/217
D632,648 S * 2/2011 Yang D13/103
D674,748 S * 1/2013 Ferber D13/108
D705,719 S * 5/2014 Wong D13/103

D733,043 S * 6/2015 Hasbrook D13/103
9,153,985 B1 * 10/2015 Gjovik H02J 7/0042
D781,832 S * 3/2017 Snitko D14/250
(Continued)

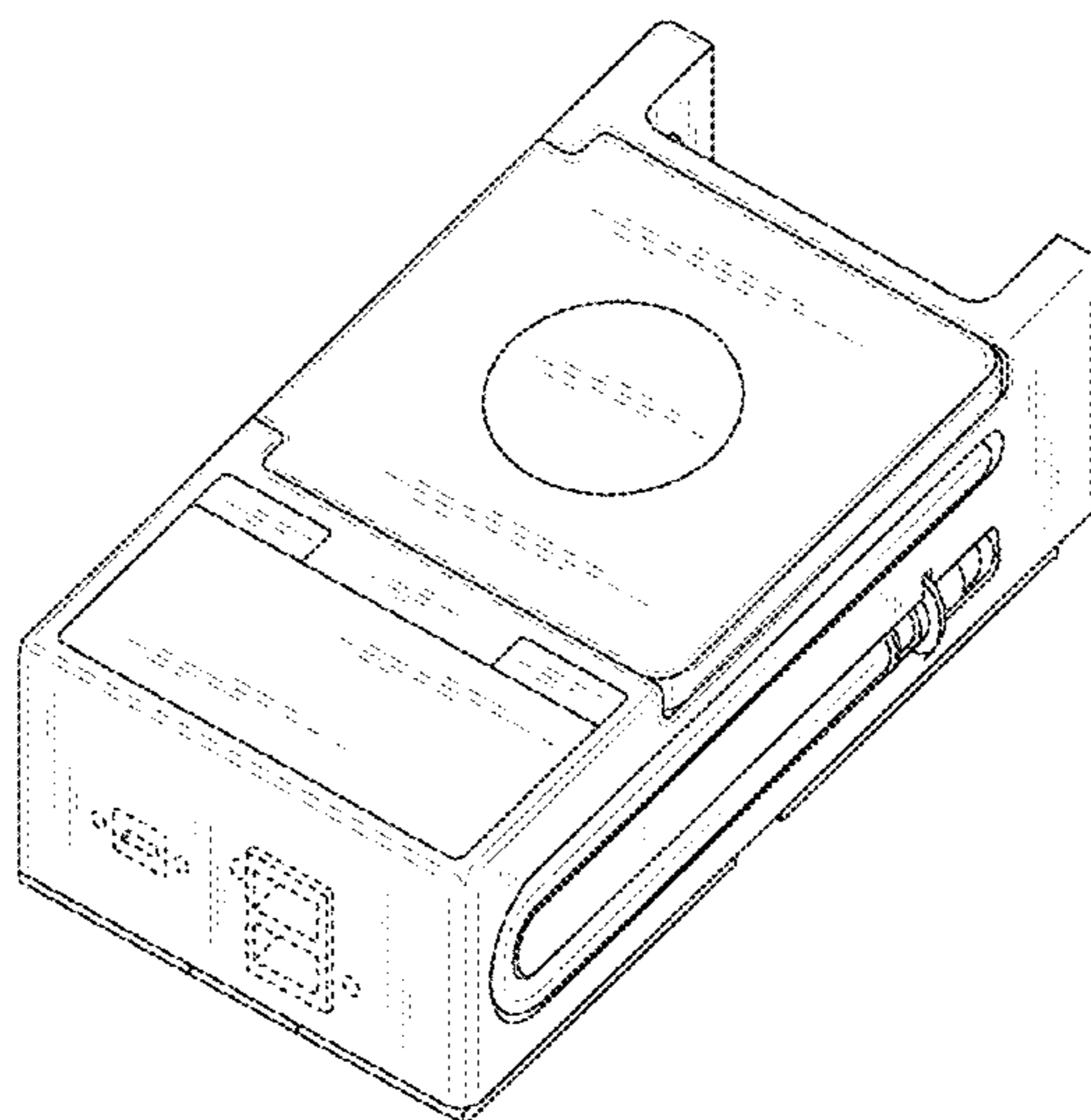
Primary Examiner — Rosemary K Tarcza
Assistant Examiner — Alison M Ofstun
(74) *Attorney, Agent, or Firm* — Arent Fox LLP

(57) **CLAIM**
The ornamental design for a battery charger, as shown and described.

DESCRIPTION

FIG. 1 is a perspective view of a battery charger;
FIG. 2 is a back view thereof;
FIG. 3 is a front view thereof;
FIG. 4 is a left side view thereof;
FIG. 5 is a right side view thereof;
FIG. 6 is a top view thereof;
FIG. 7 is a bottom view thereof;
FIG. 8 is a perspective view of a battery charger, shown in a first position of use;
FIG. 9 is a back view thereof;
FIG. 10 is a front view thereof;
FIG. 11 is a left side view thereof;
FIG. 12 is a right side view thereof;
FIG. 13 is a top view thereof;
FIG. 14 is a bottom view thereof;
FIG. 15 is a perspective view of a battery charger, shown in a second position of use;
FIG. 16 is a back view thereof;
FIG. 17 is a front view thereof;
FIG. 18 is a left side view thereof;
FIG. 19 is a right side view thereof;
FIG. 20 is a top view thereof; and,
FIG. 21 is a bottom view thereof.
The broken lines included in the Figures are for the purpose of illustrating portions of the article which form no part of the claimed design.

1 Claim, 21 Drawing Sheets



(56)

References Cited

U.S. PATENT DOCUMENTS

9,667,092 B2 * 5/2017 Miller H02J 7/025
2011/0187324 A1 * 8/2011 Tan H02J 7/0045
320/111

* cited by examiner

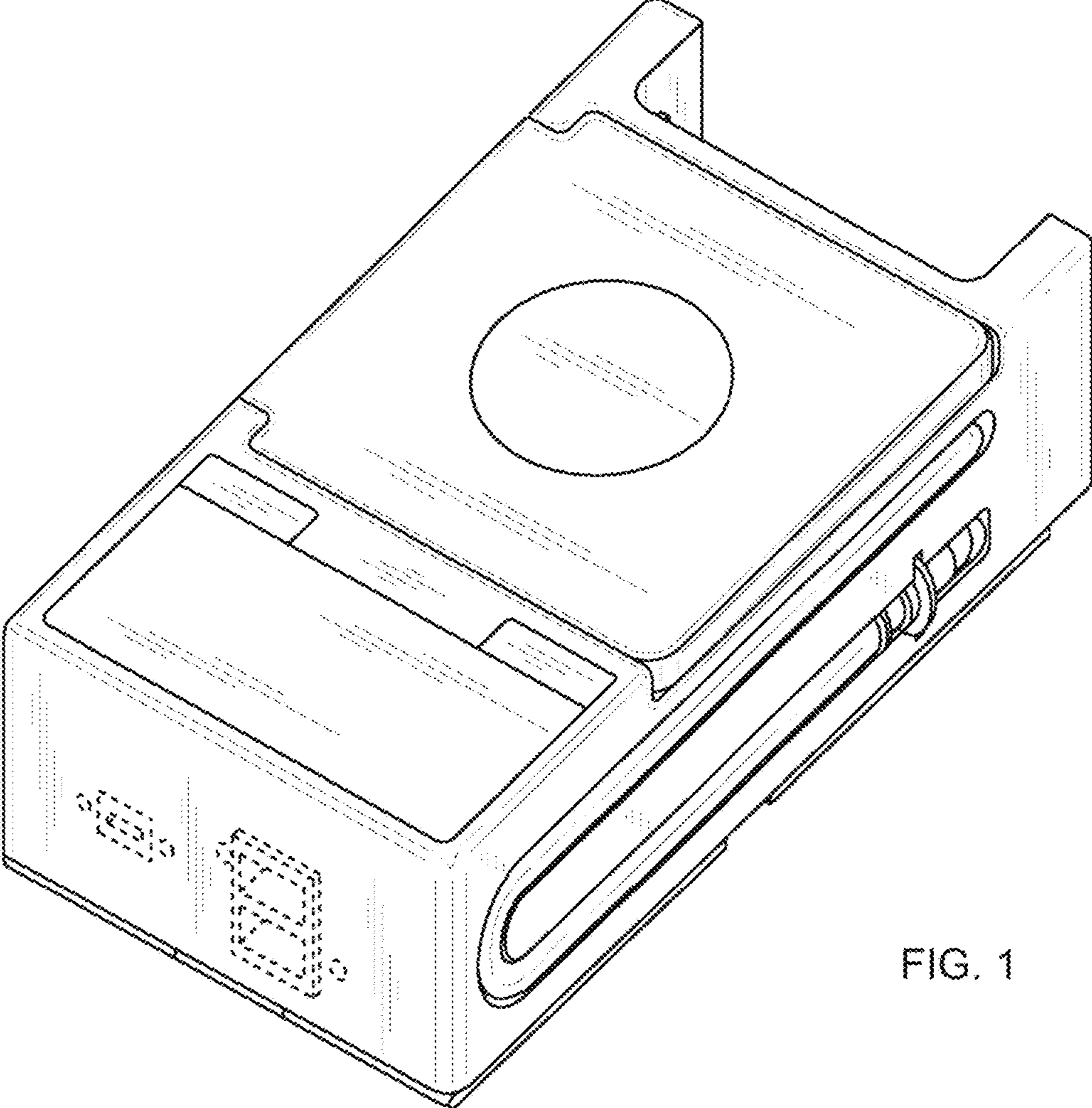


FIG. 1

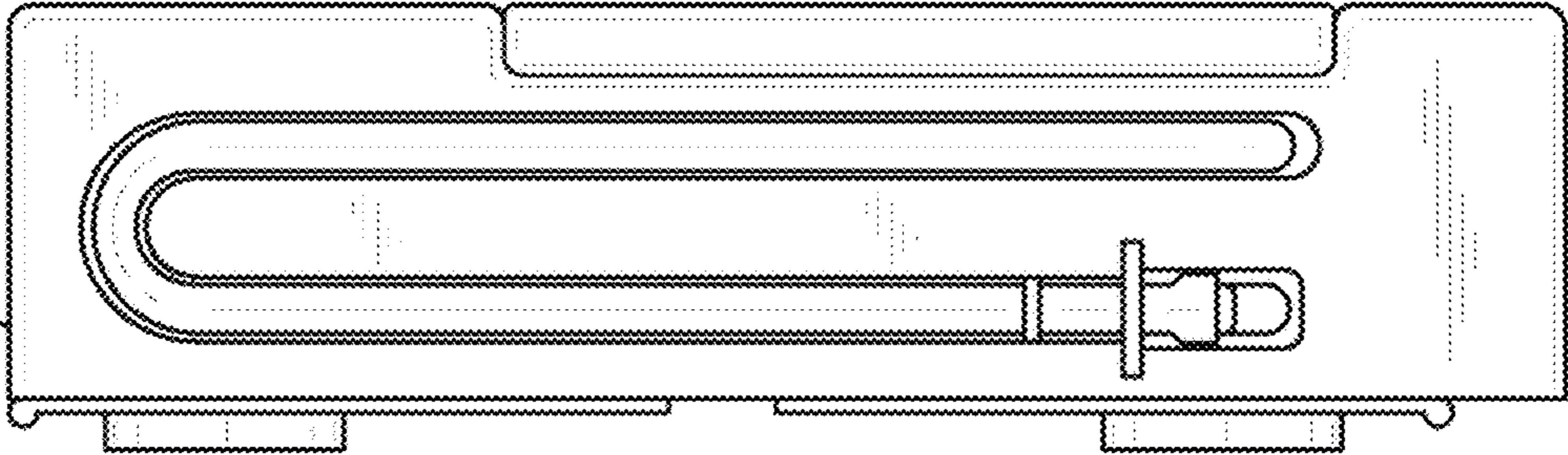


FIG. 2

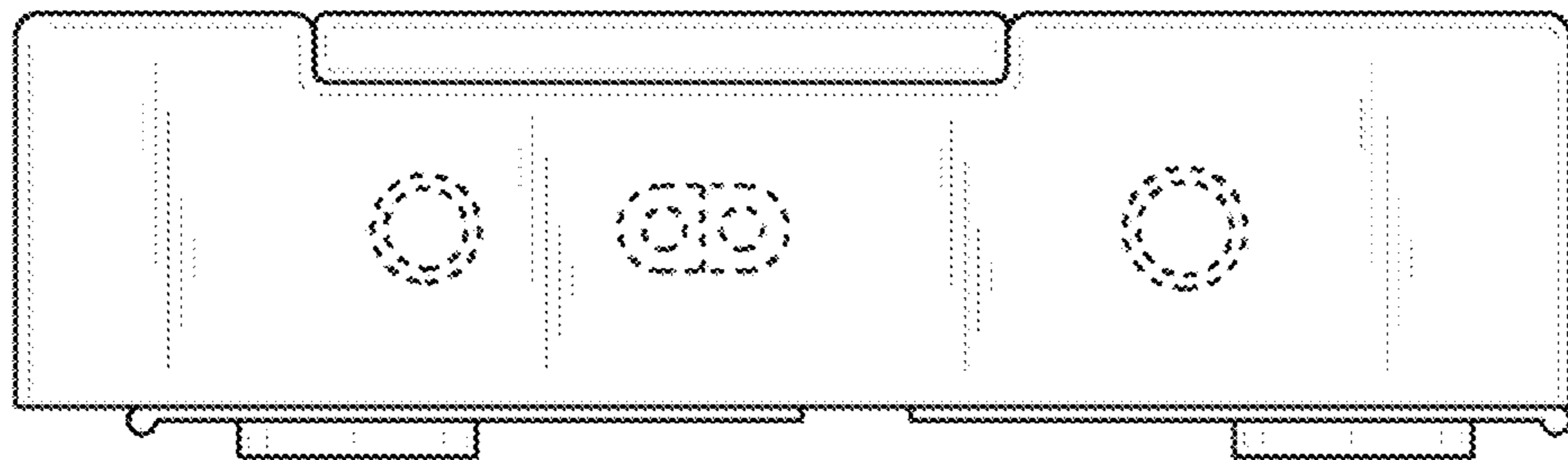


FIG. 3

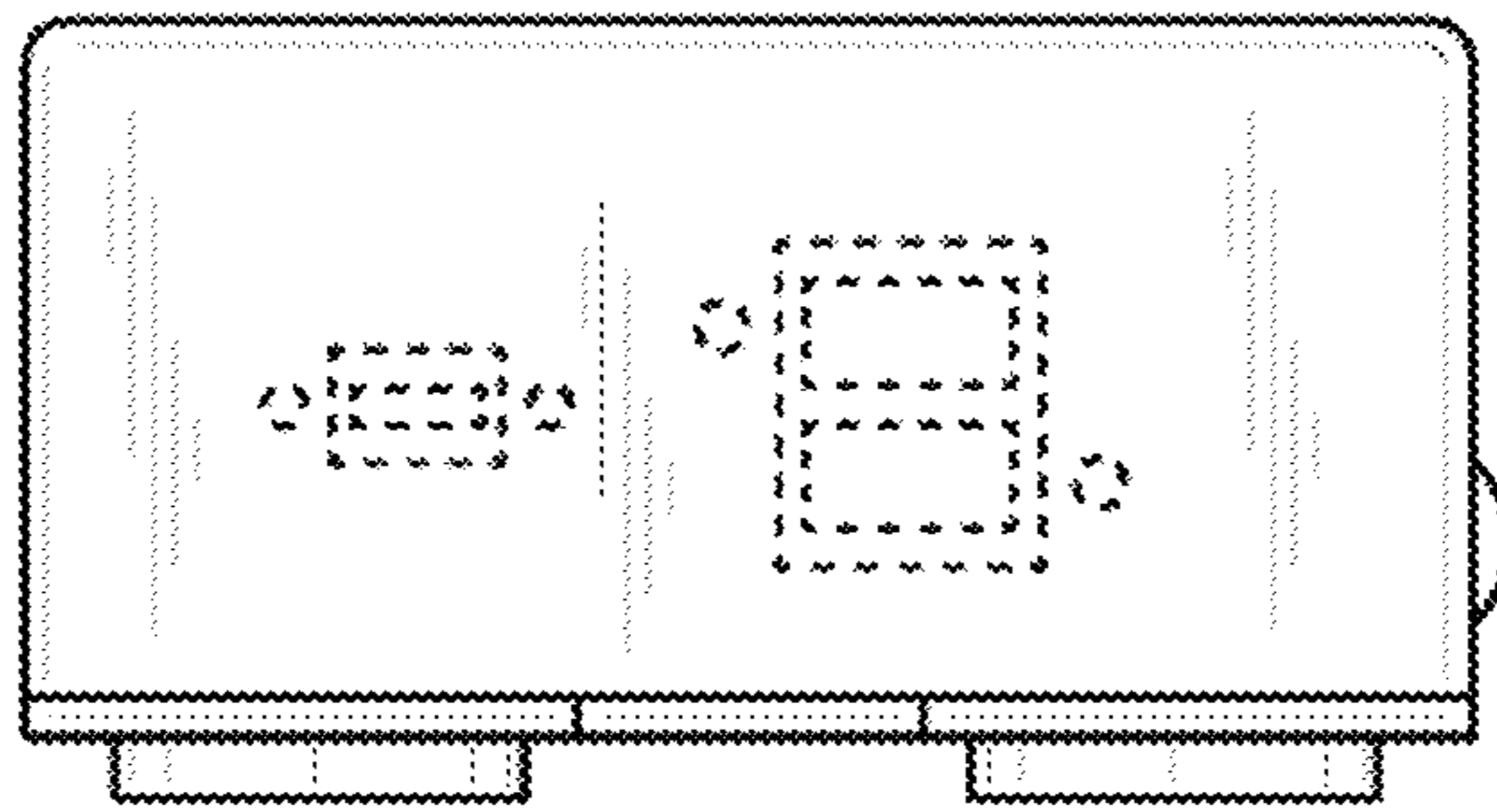


FIG. 4

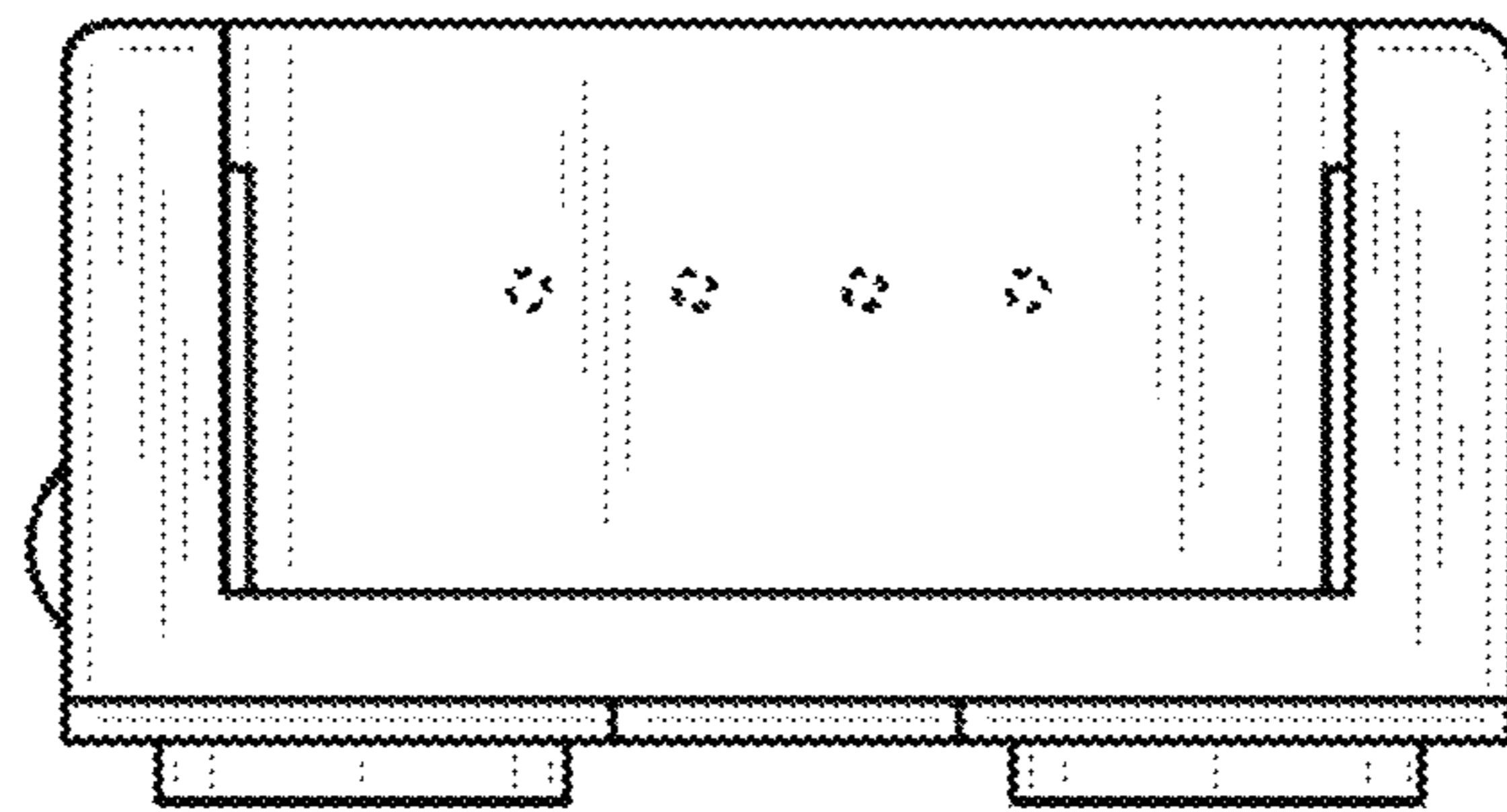


FIG. 5

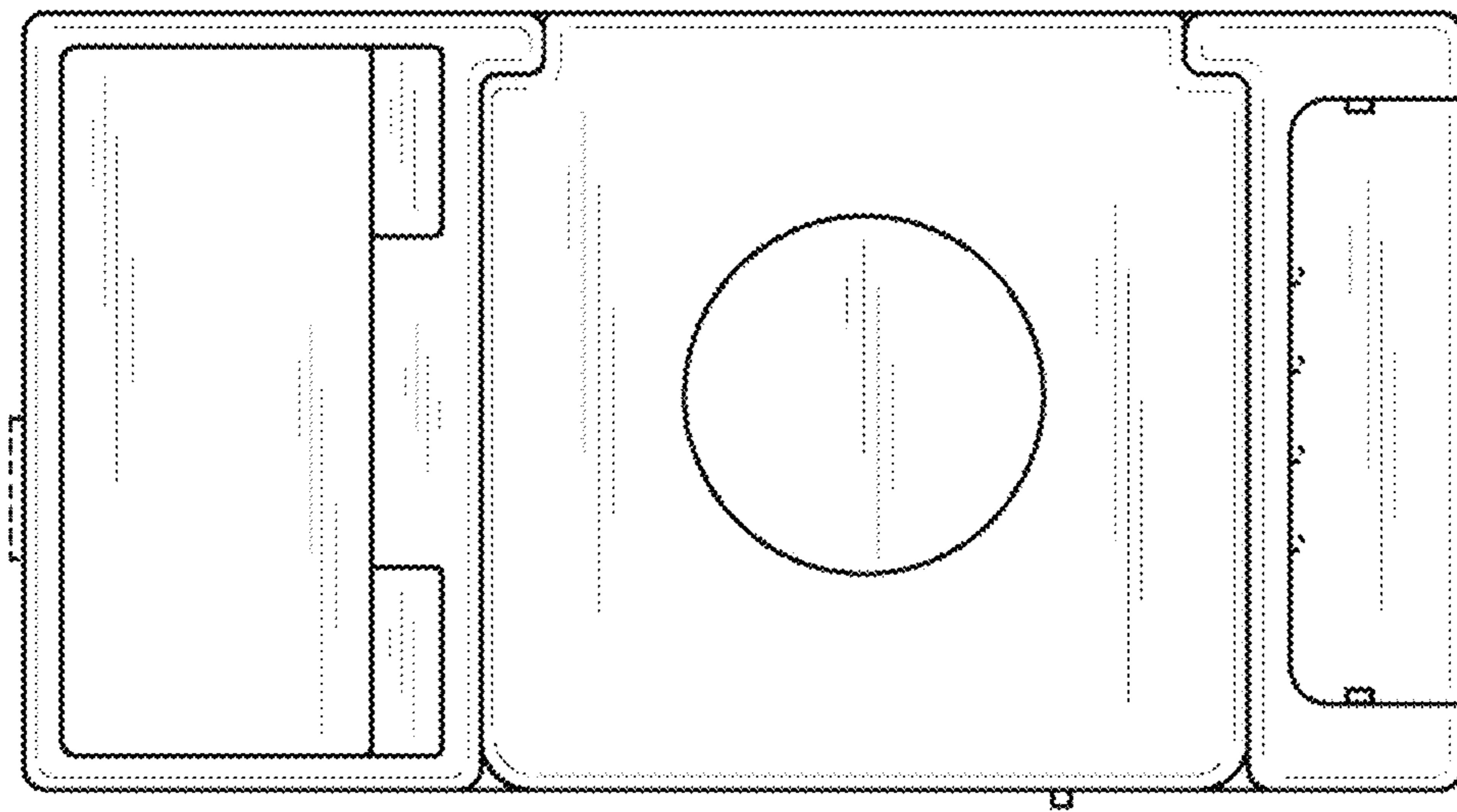


FIG. 6

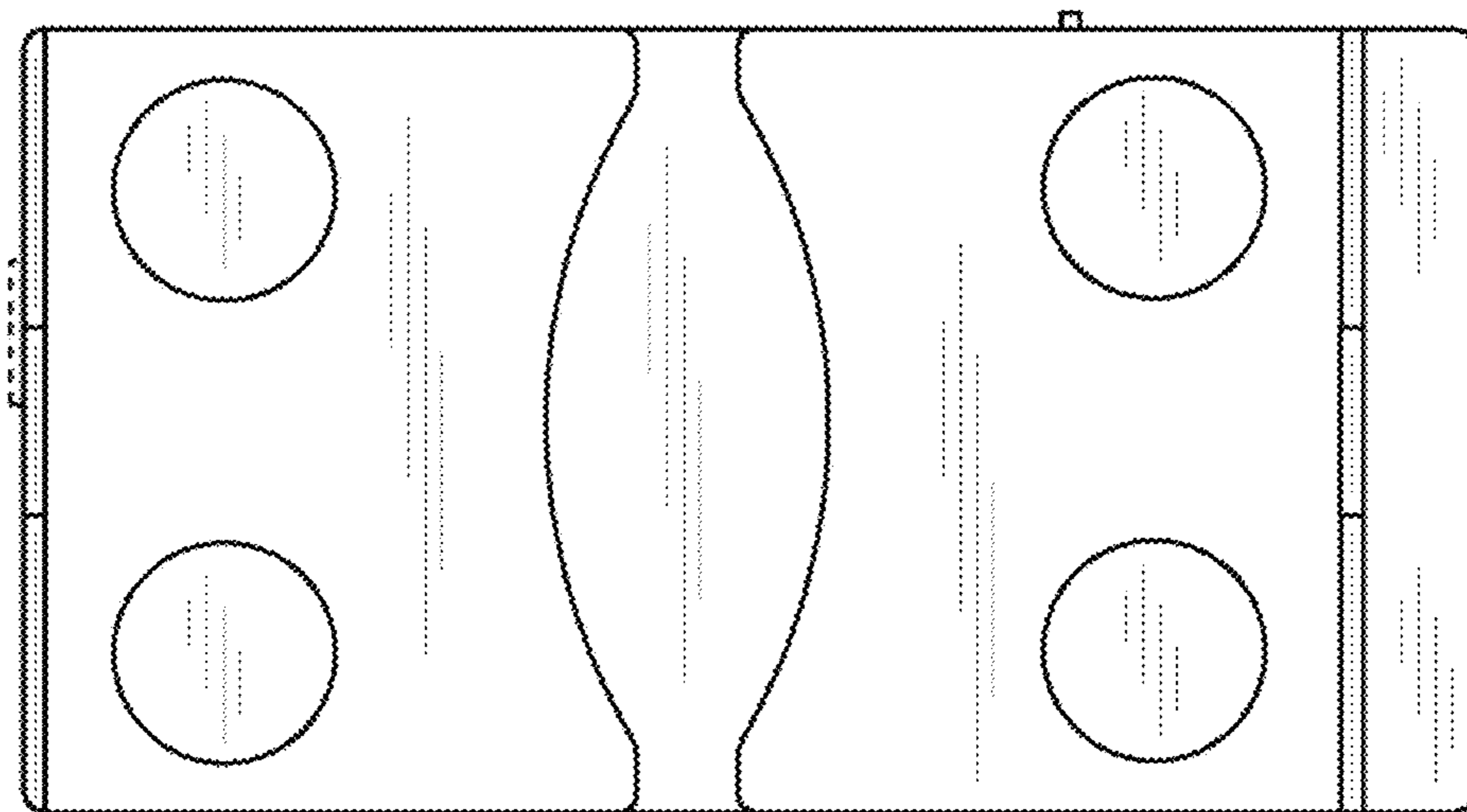


FIG. 7

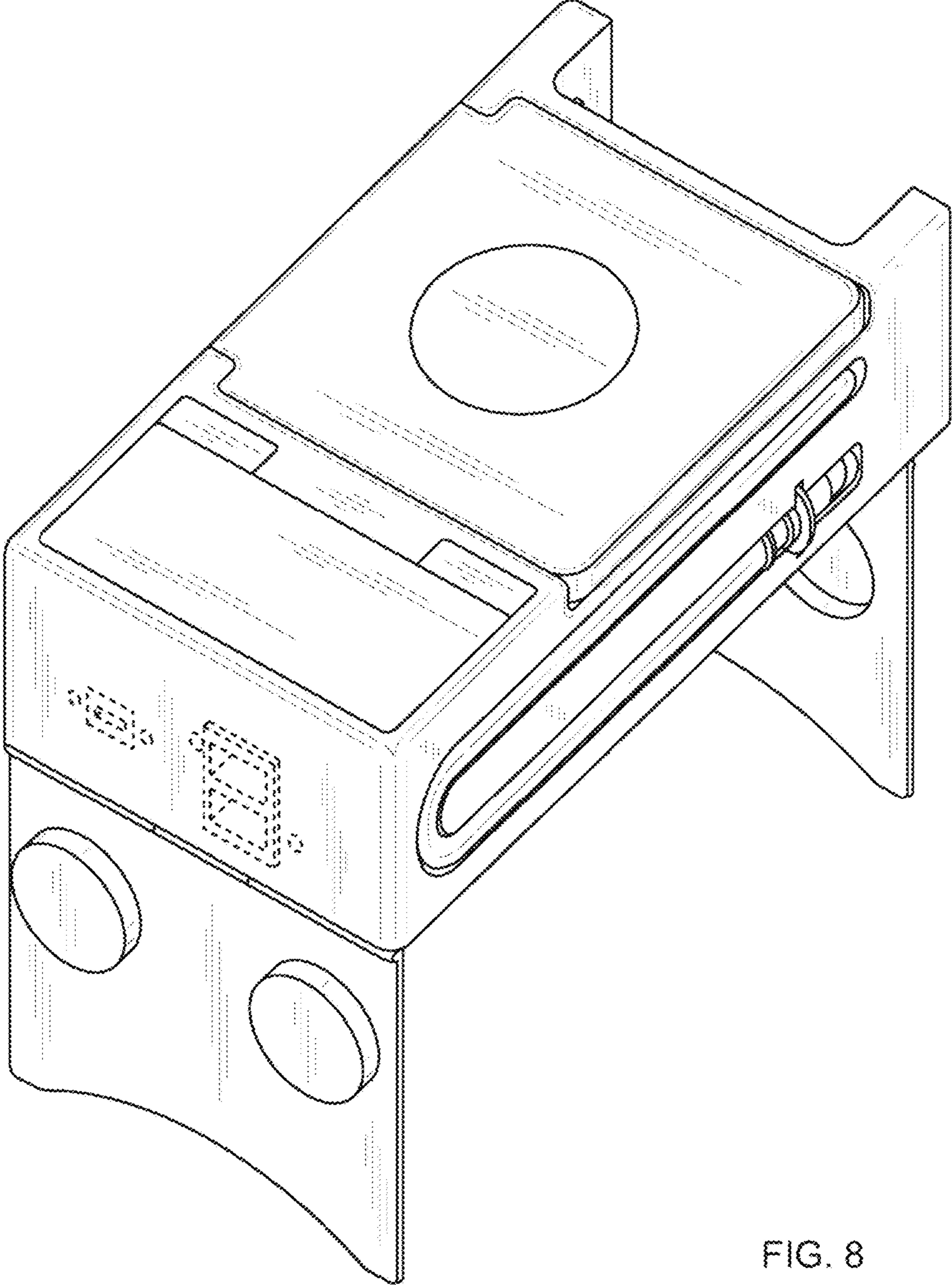


FIG. 8

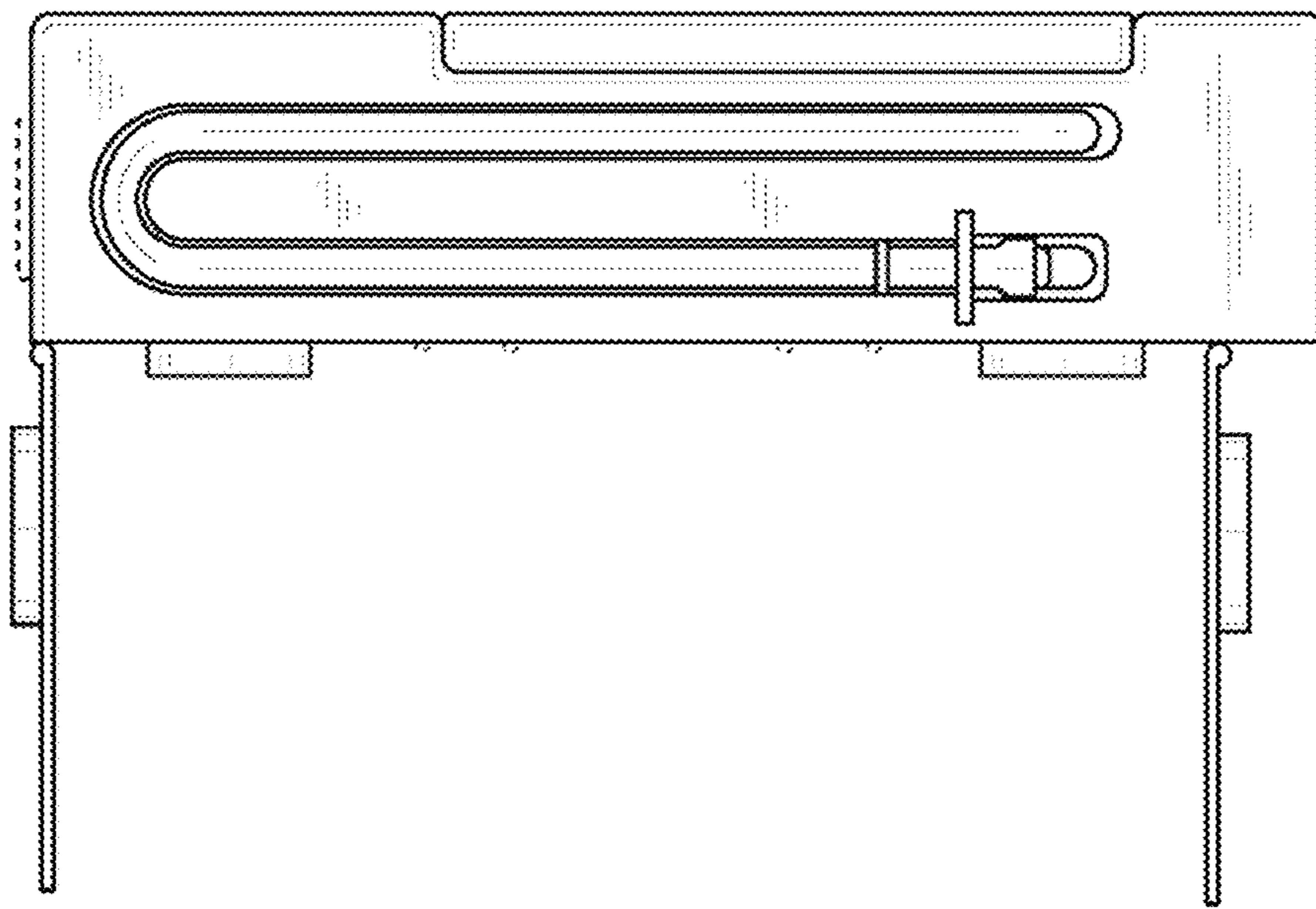


FIG. 9

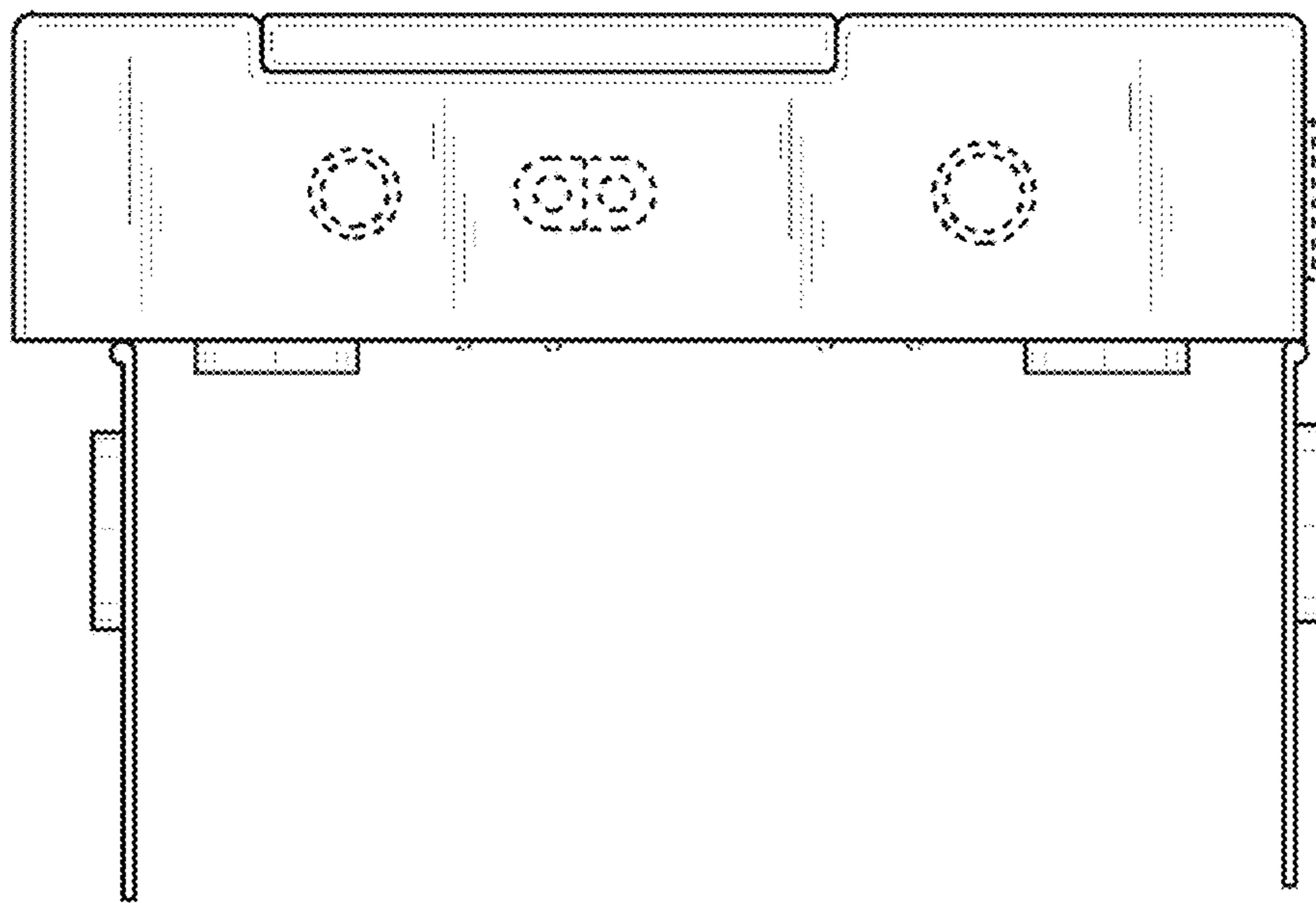


FIG. 10

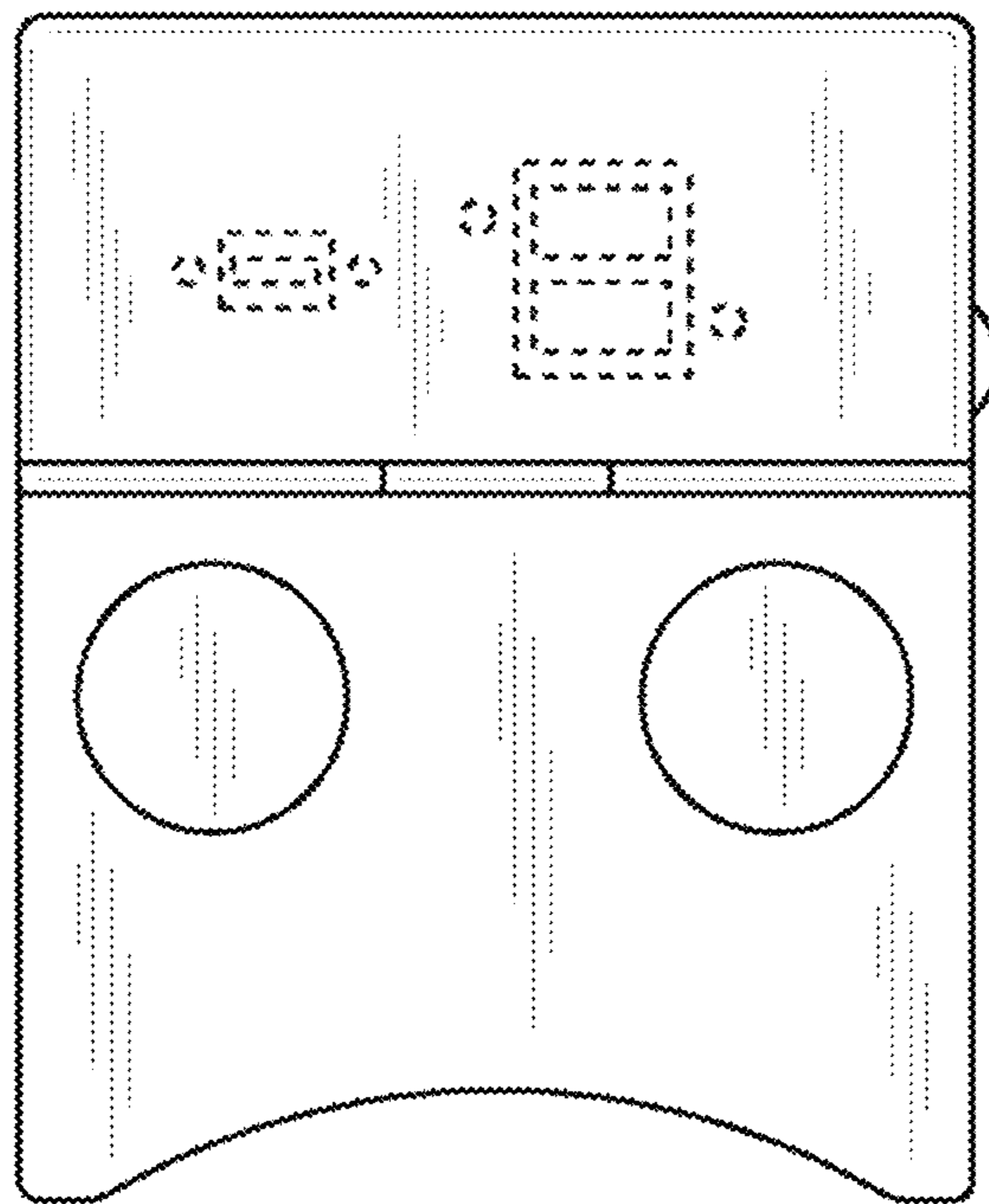


FIG. 11

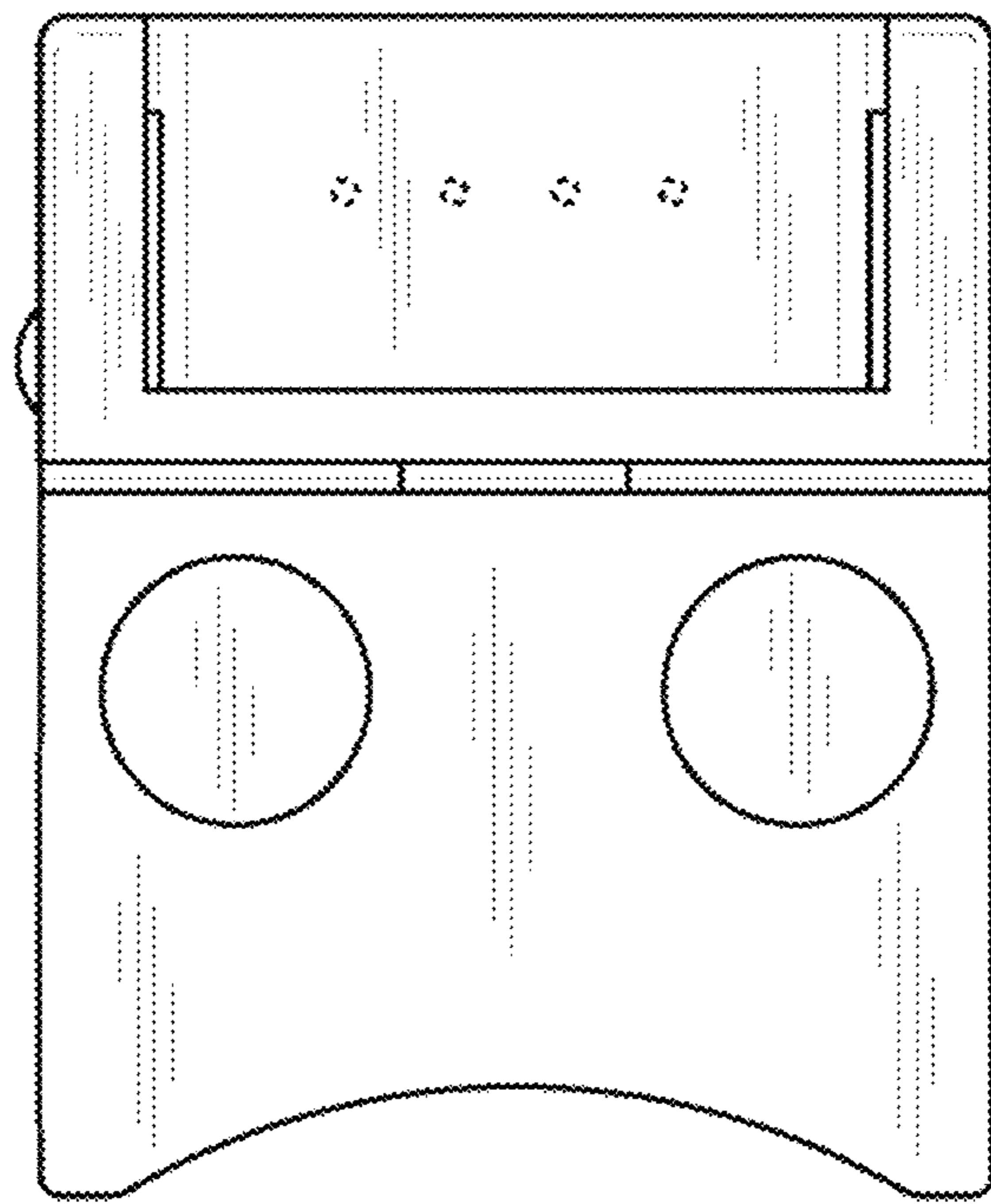


FIG. 12

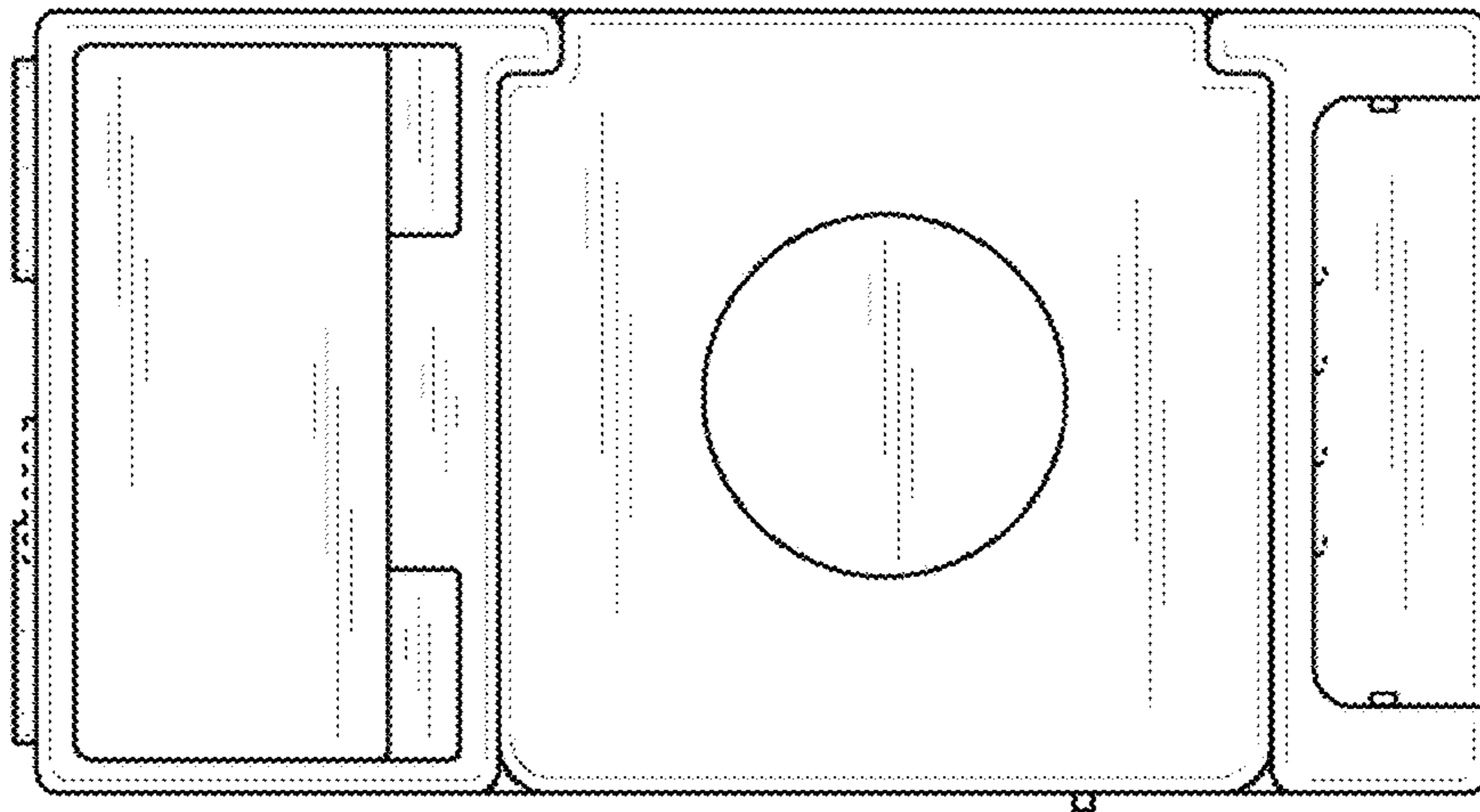


FIG. 13

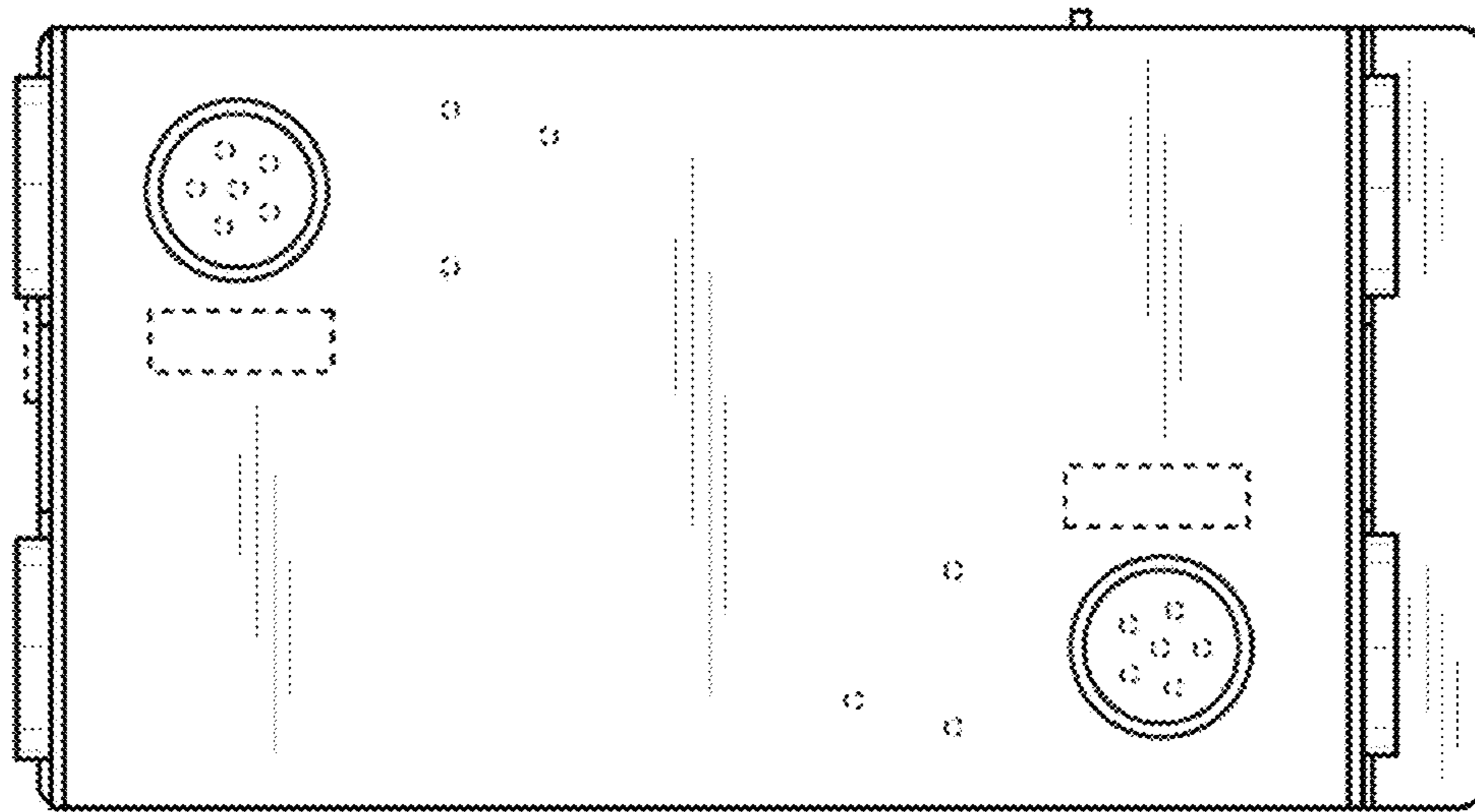


FIG. 14

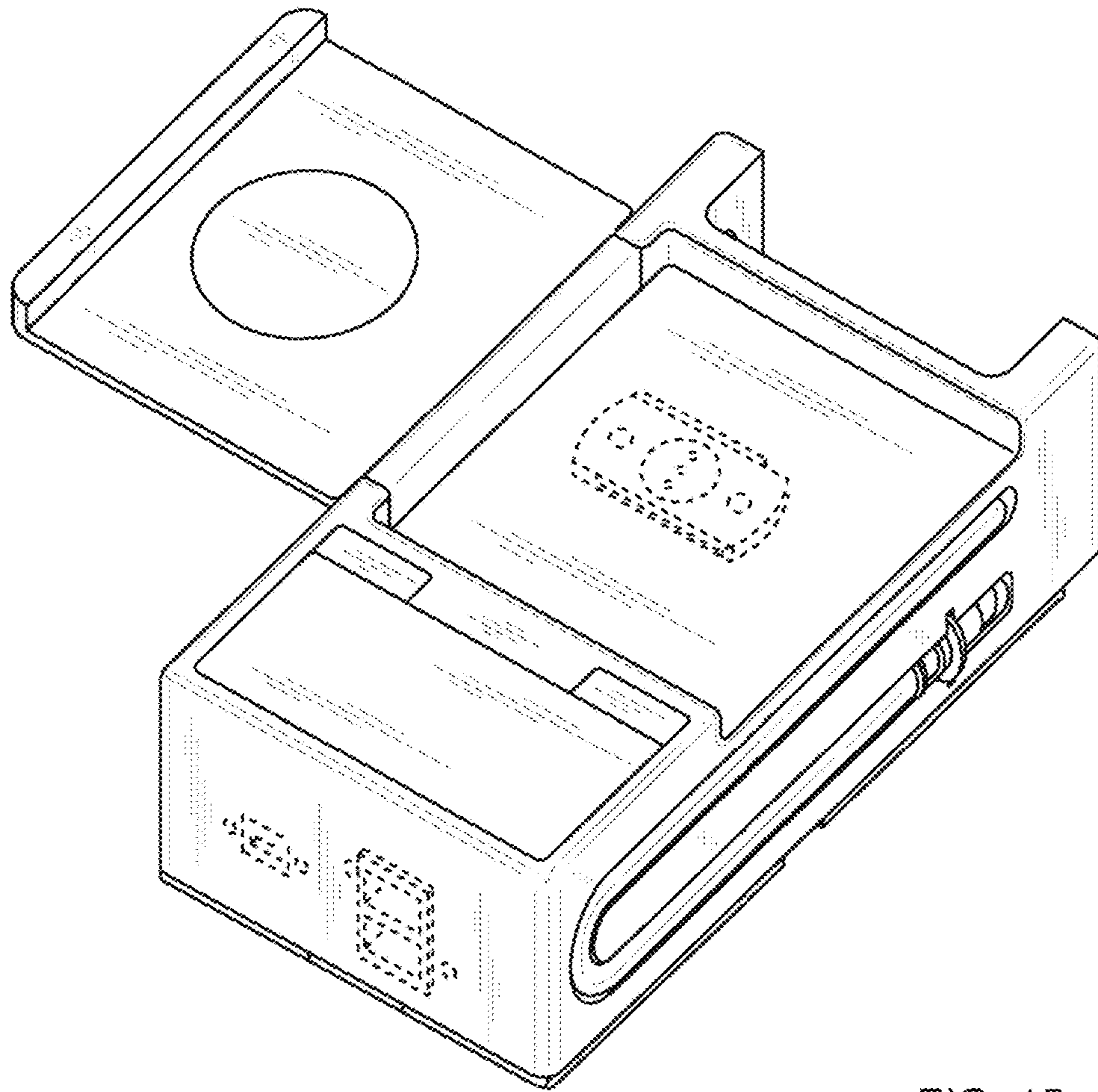


FIG. 15

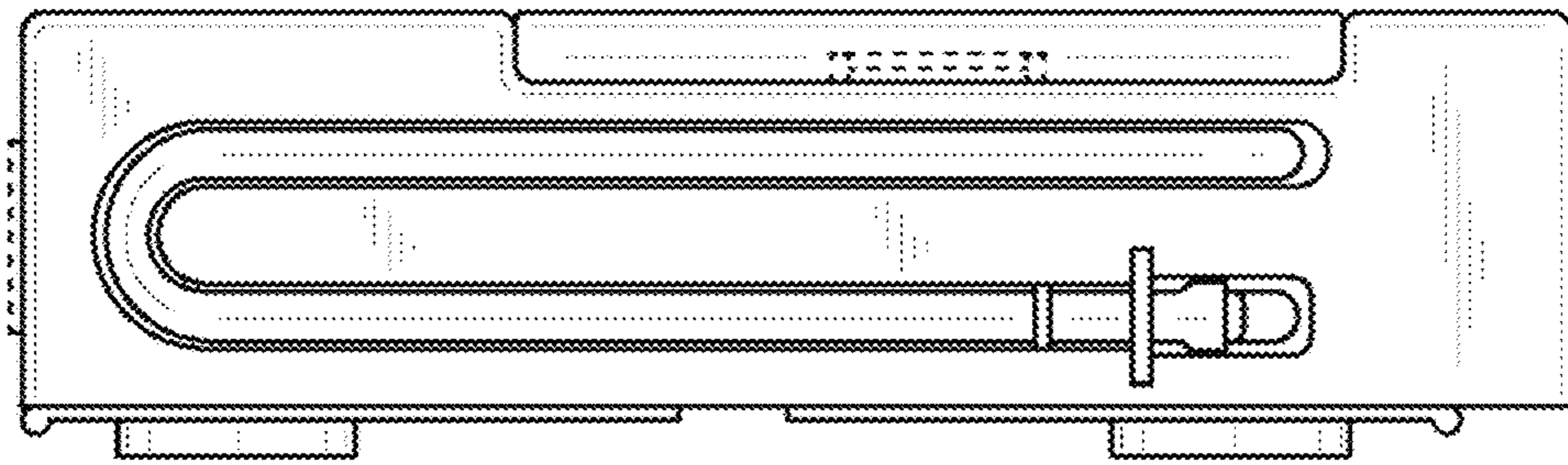


FIG. 16

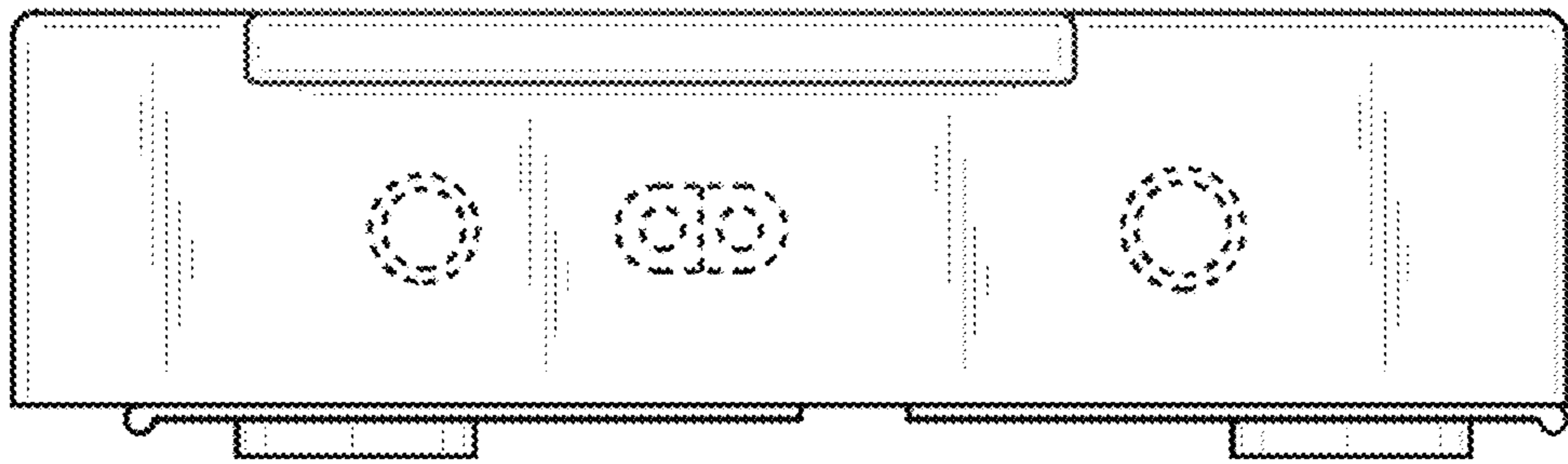


FIG. 17

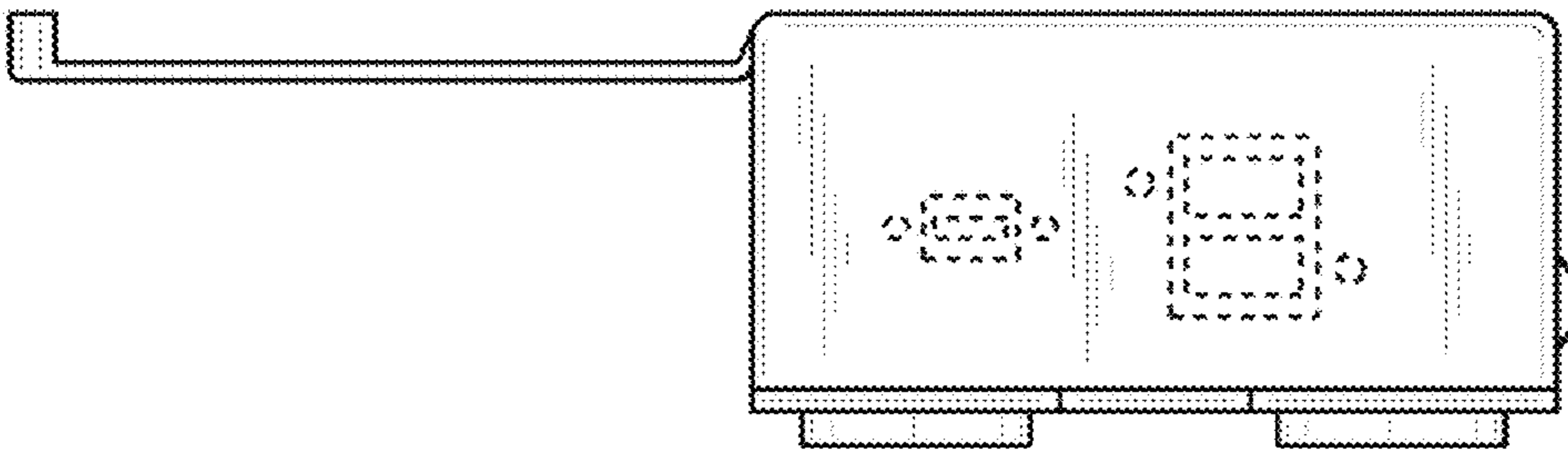


FIG. 18

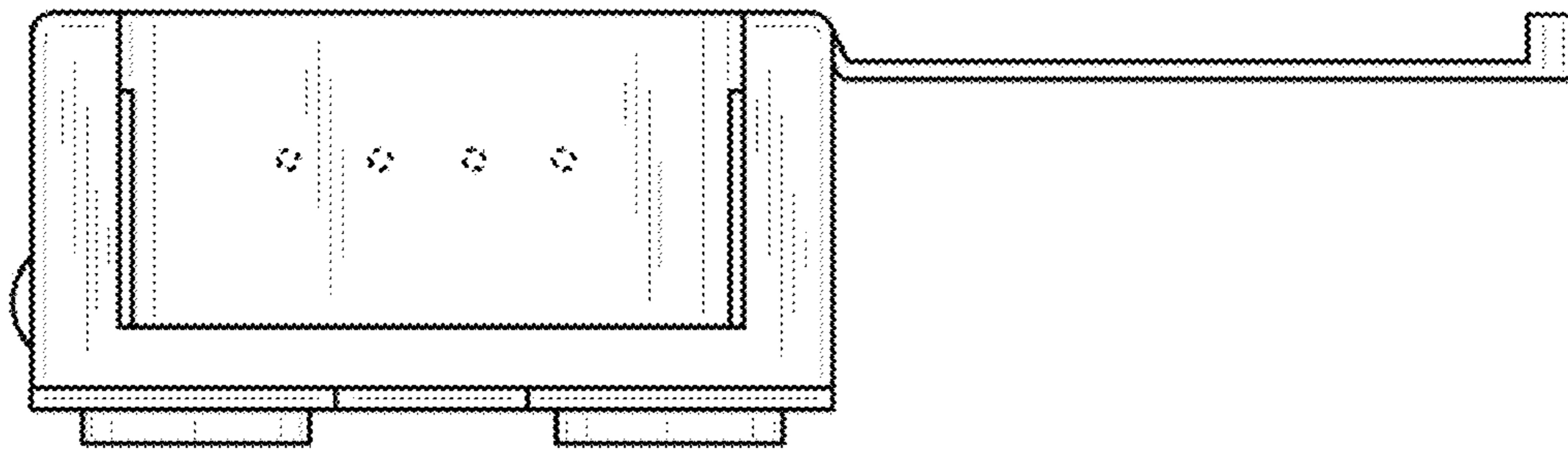


FIG. 19

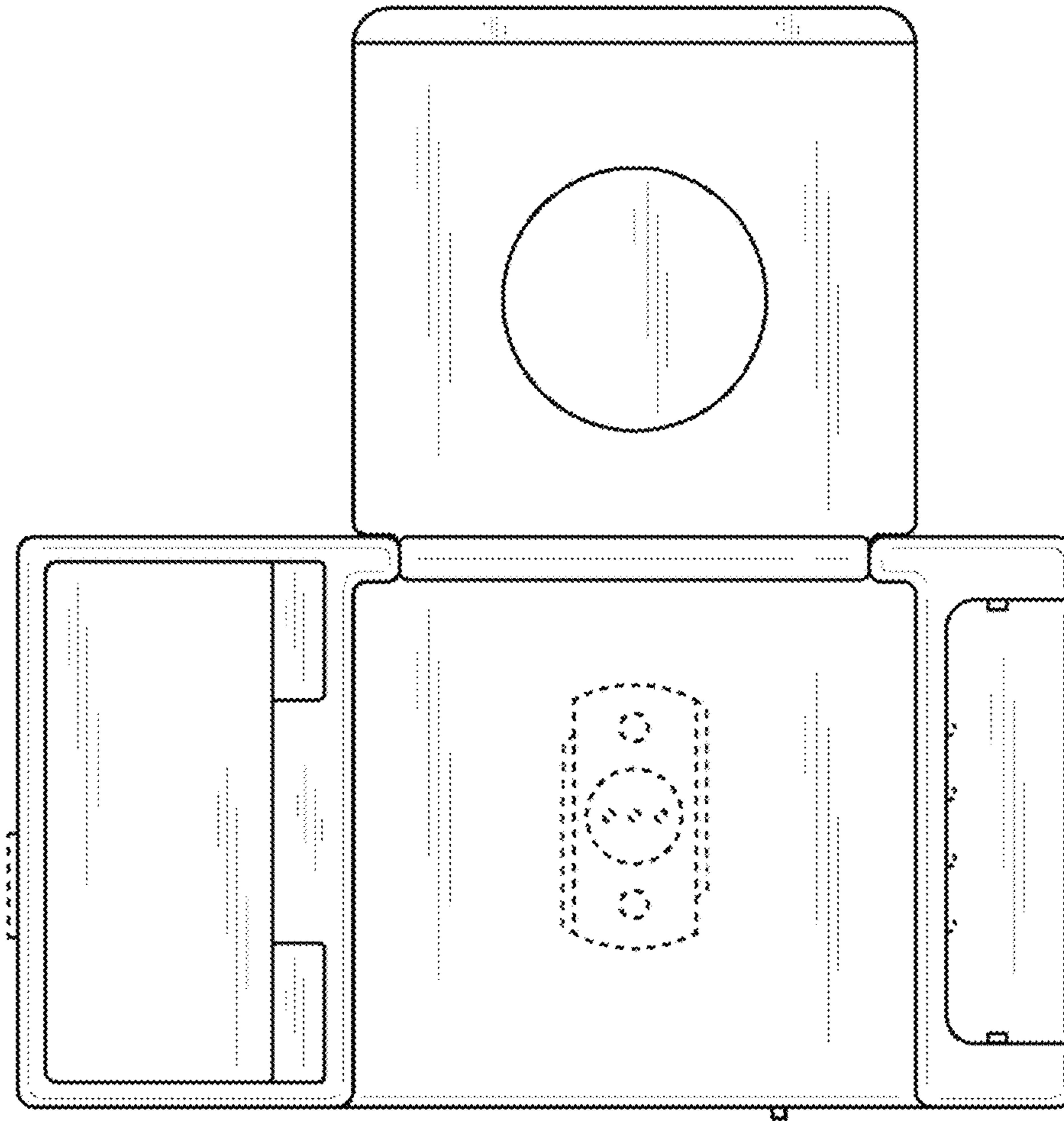


FIG. 20

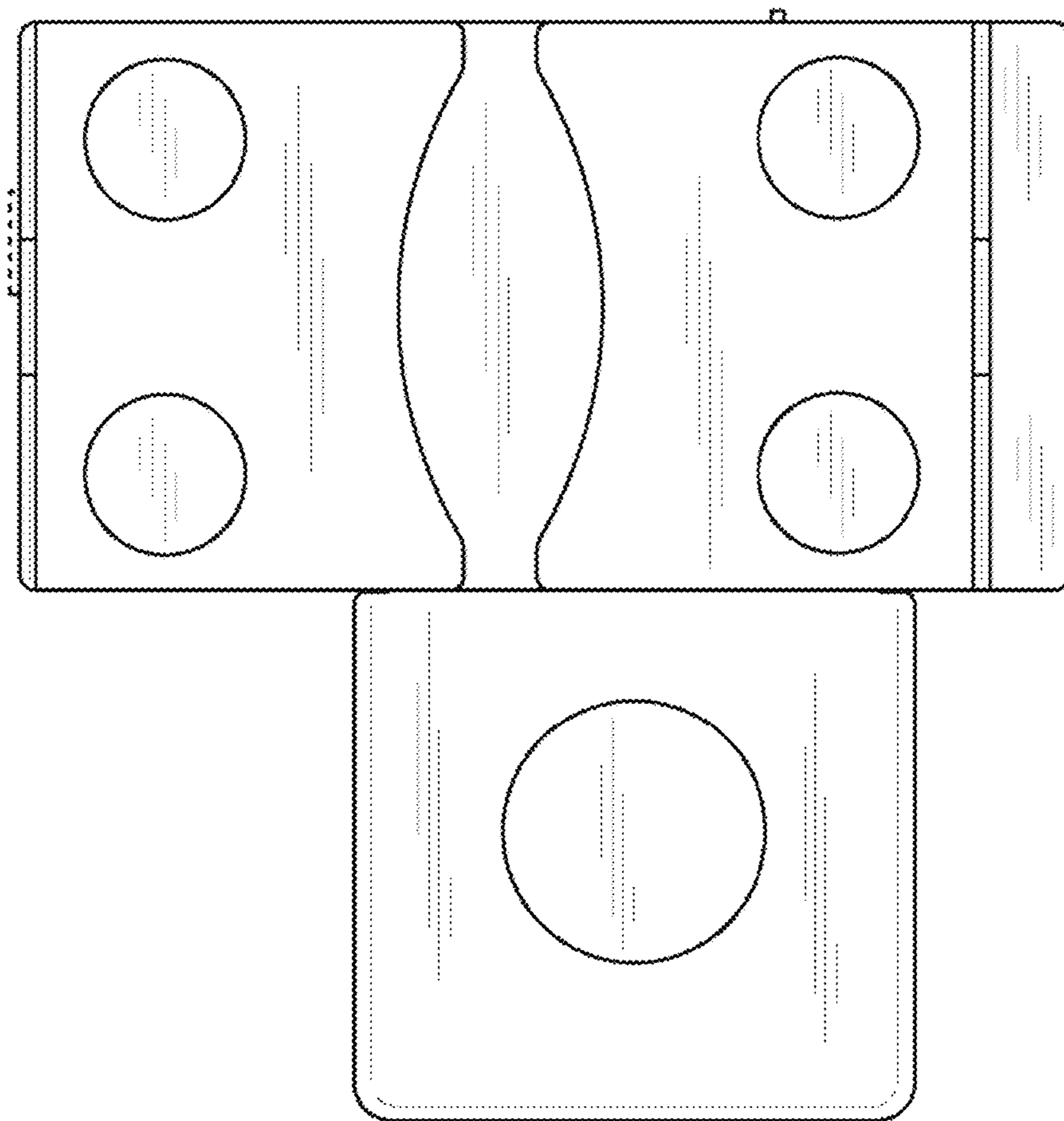


FIG. 21